

[54] MULTI-LEVEL GYM

D. 303,826 10/1989 Aker ..... D21/244

[75] Inventor: Anthony J. Micale, Livonia, Mich.

Primary Examiner—Charles A. Rademaker  
Attorney, Agent, or Firm—Brooks & Kushman

[73] Assignee: Little Caesar Enterprises,  
Farmington Hills, Mich.

[57] CLAIM

[\*\*] Term: 14 Years

The ornamental design for a multi-level gym, as shown and described.

[21] Appl. No.: 80,053

DESCRIPTION

[22] Filed: Jul. 31, 1987

[52] U.S. Cl. .... D21/191

[58] Field of Search ..... D21/240, 243, 244, 191-199;  
272/93, 1 R, 21, 56.5 R; 273/1 R

FIG. 1 is a top plan view of a multi-level gym showing my new design;

FIG. 2 is a front elevational view thereof with portions thereof shown in fragment;

FIG. 3 is a rear elevational view thereof;

FIG. 4 is a right end elevational view thereof;

FIG. 5 is a left end elevational view thereof; and

FIG. 6 is a front end perspective view thereof shown on a slightly enlarged scale; and,

The unshown bottom of the design is substantially flat plain and unornamented.

[56] References Cited

U.S. PATENT DOCUMENTS

- D. 224,247 7/1972 Jamison ..... D21/243
- D. 253,362 11/1979 Dieter et al. .... D21/243
- D. 262,230 12/1981 Amet et al. .... D21/244
- D. 268,858 5/1983 Works ..... D21/244

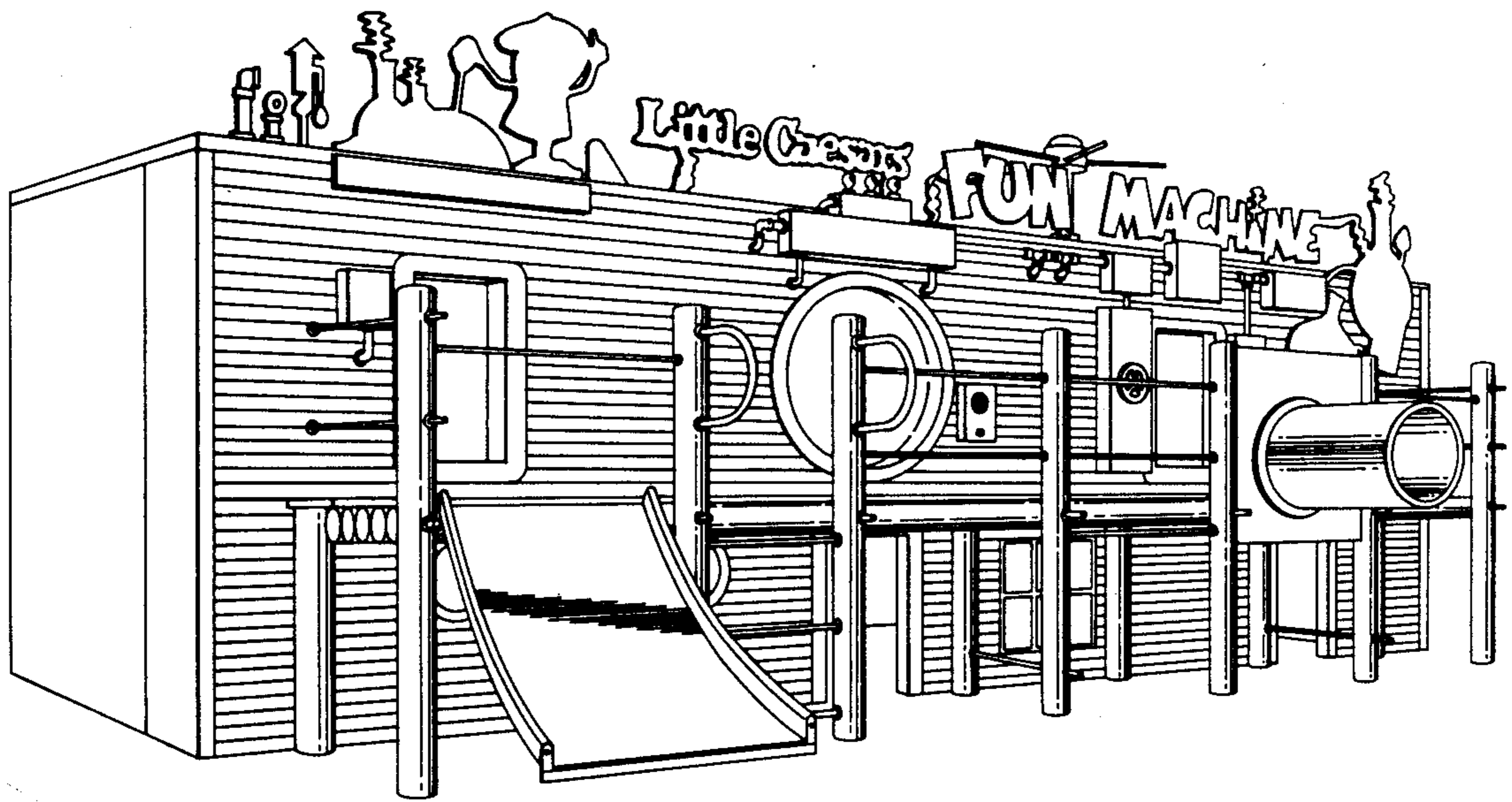
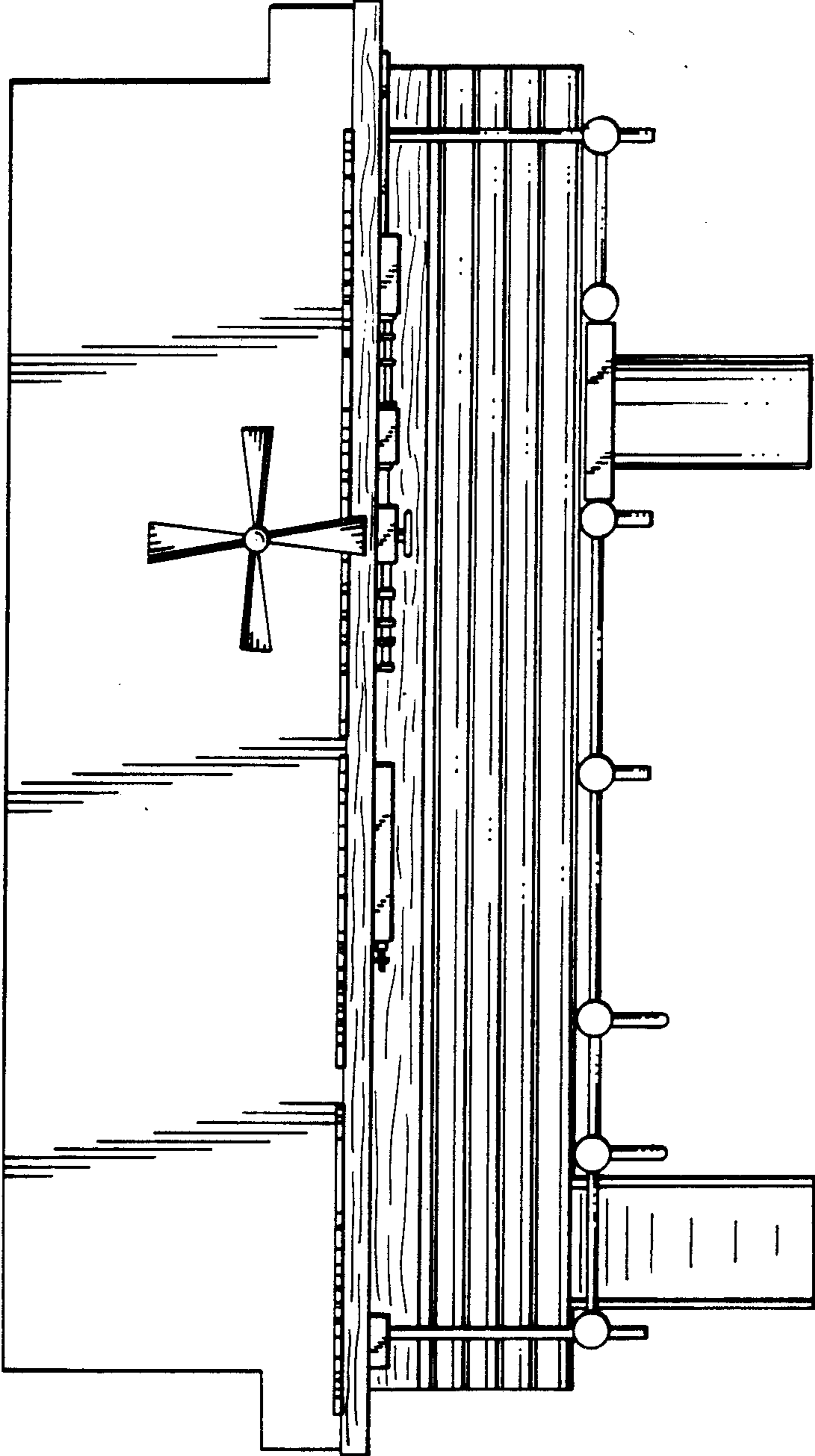


FIG. 1



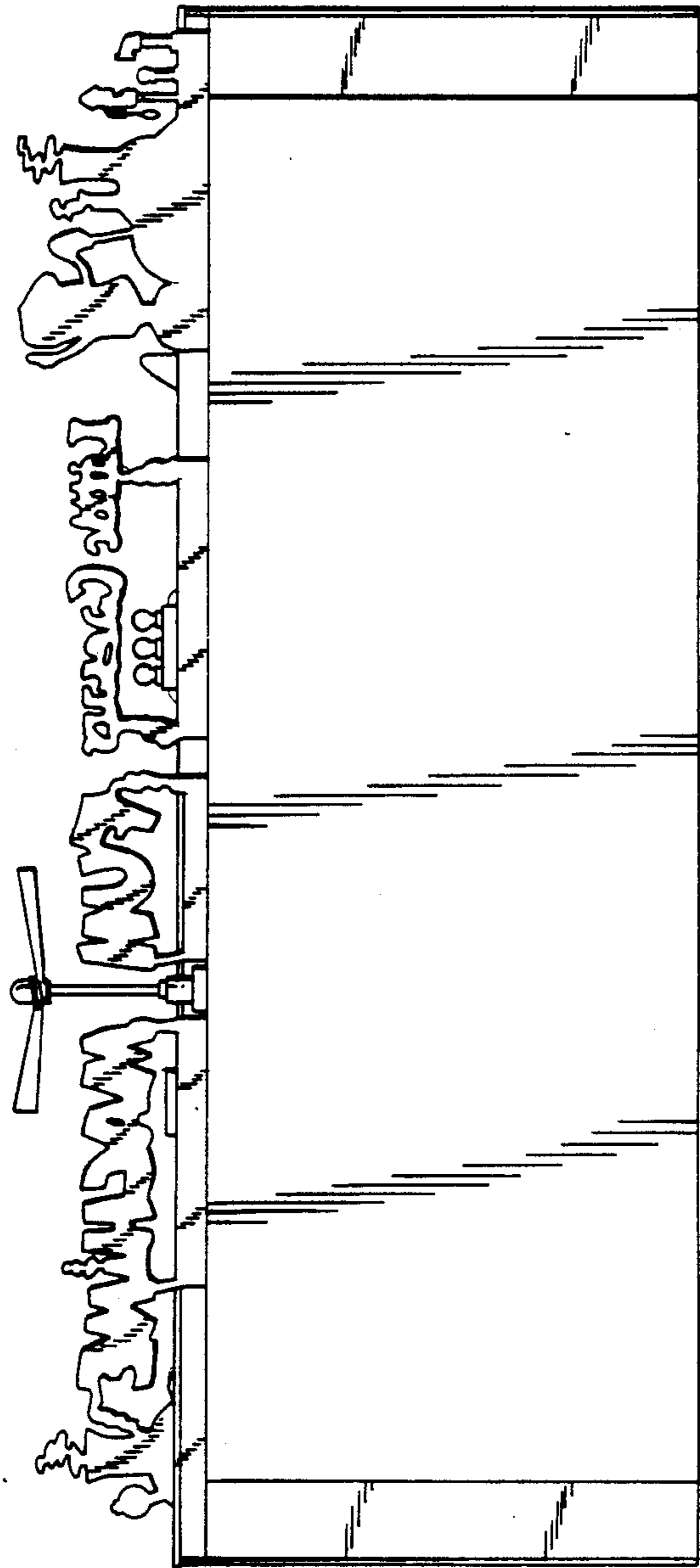
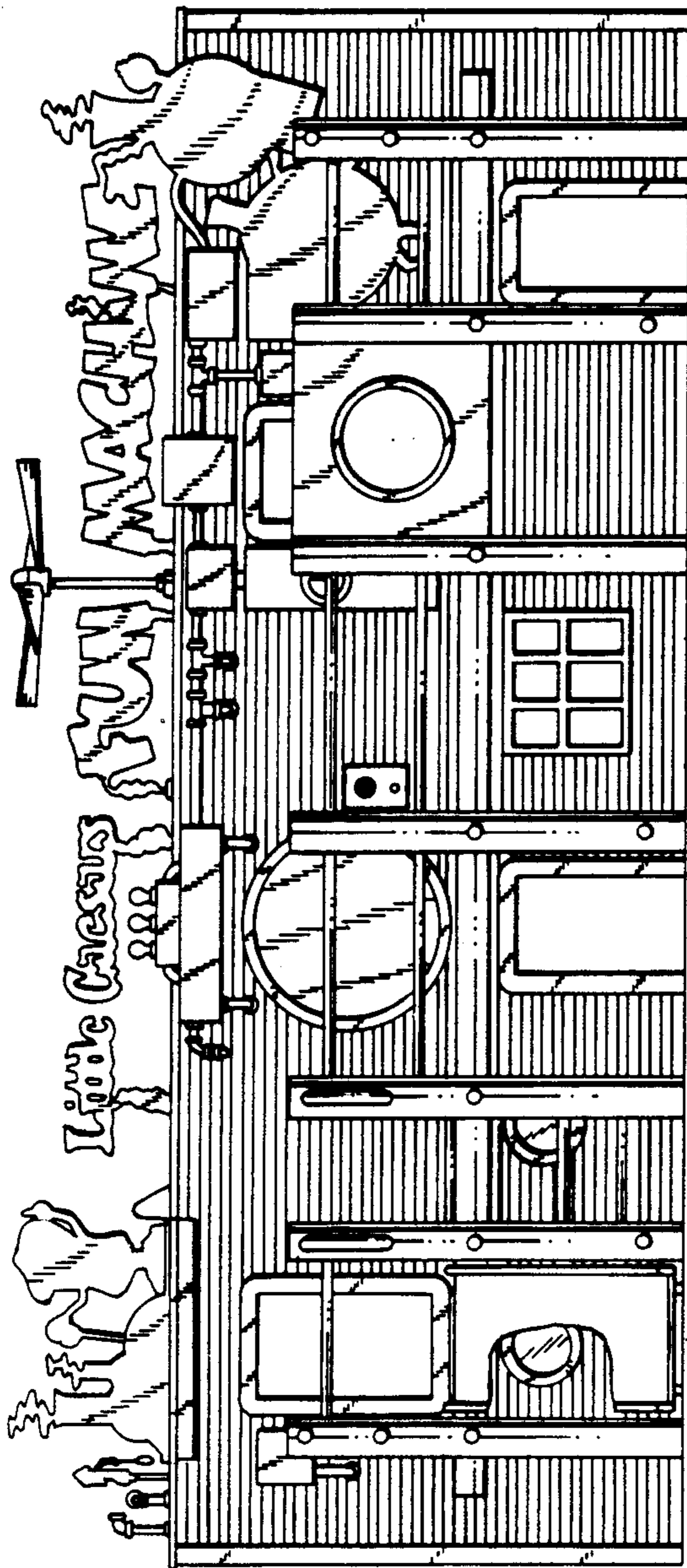


FIG. 4

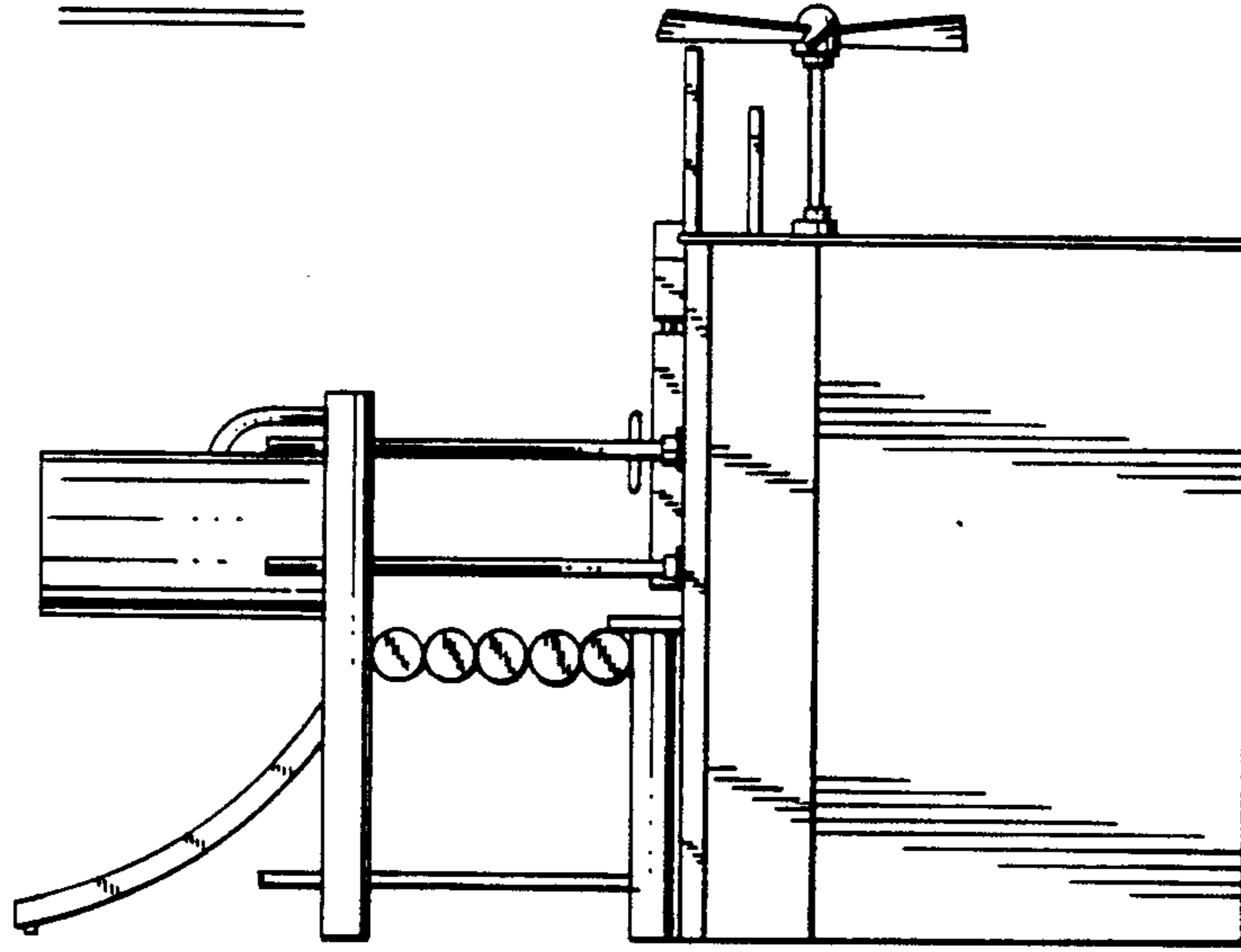
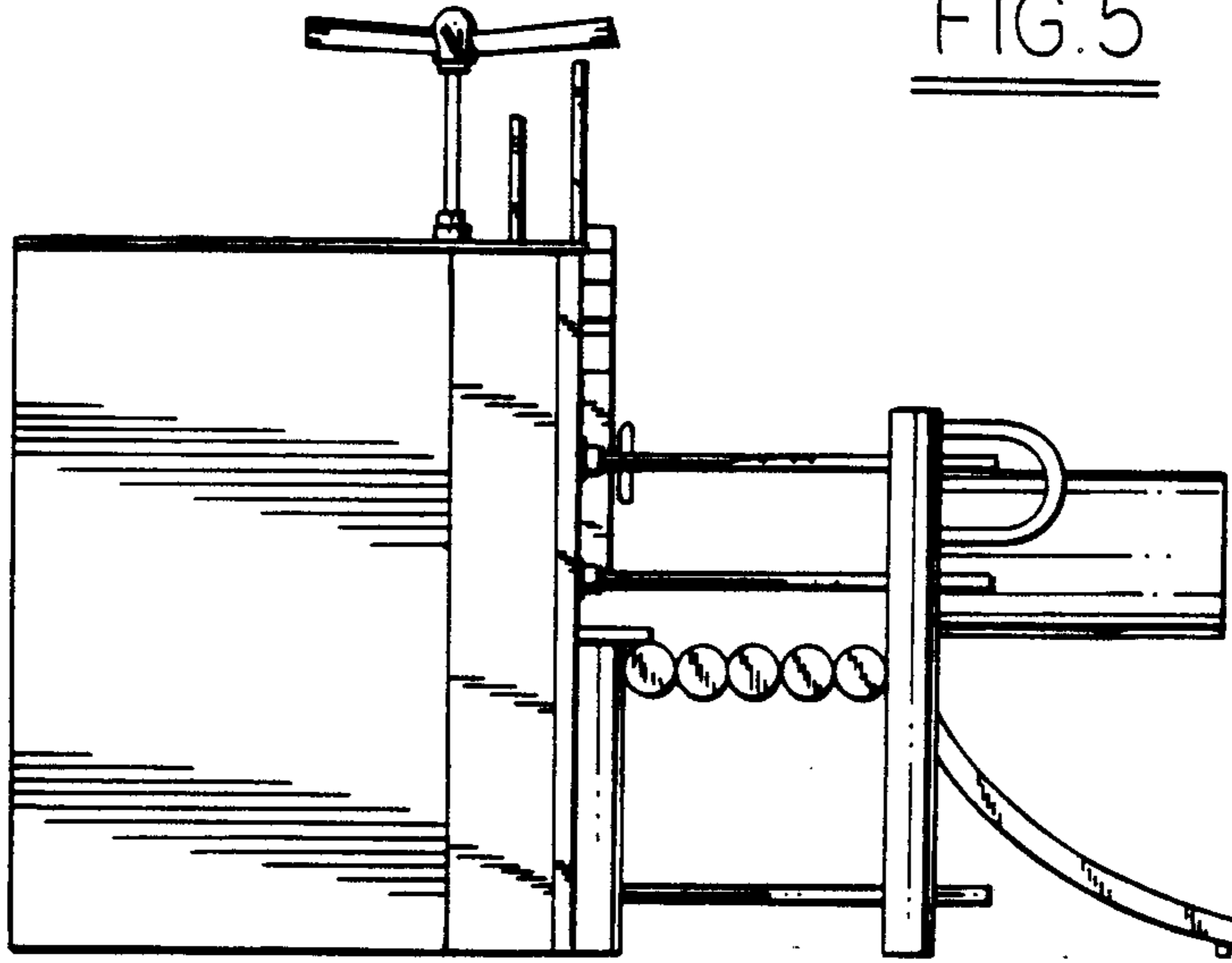


FIG. 5





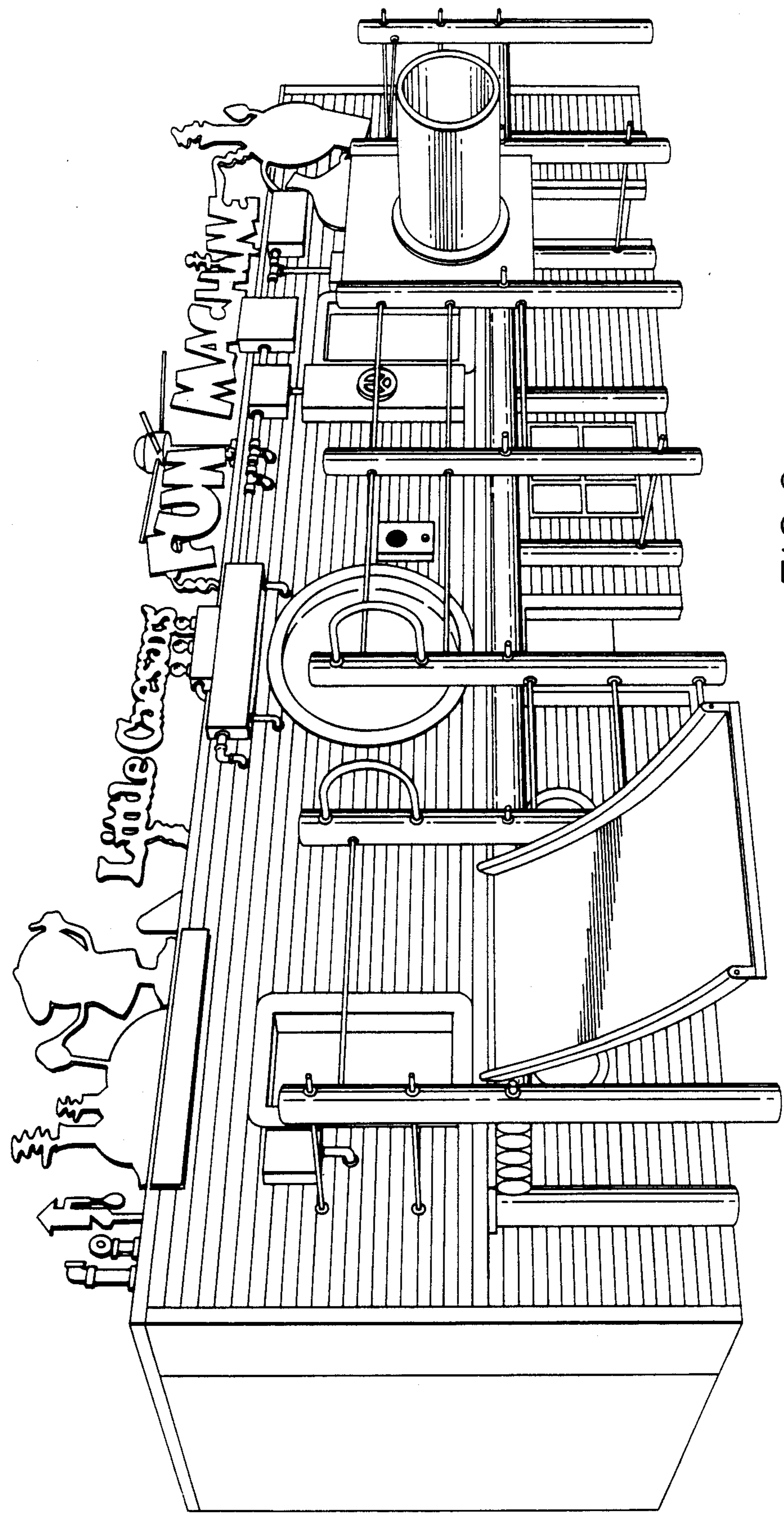


FIG. 6