

[54] GRAVITY LOAD MAGAZINE FOR PAINT PELLET PISTOL

[76] Inventor: Paul N. Kuljis, 3604 S. Cabrillo Ave., San Pedro, Calif. 90731

[**] Term: 14 Years

[21] Appl. No.: 134,912

[22] Filed: Dec. 18, 1987

[52] U.S. Cl. D21/145; D22/108

[58] Field of Search D8/29, 30; D21/145, D21/147; D22/100, 103, 104, 108; 446/273; 124/47-49

[56] References Cited

U.S. PATENT DOCUMENTS

- D. 191,776 11/1961 Popper D21/147
- 4,241,716 12/1980 Tsui 124/49

4,659,320 4/1987 Rich et al. 124/47

Primary Examiner—B. J. Bullock

Assistant Examiner—Sandra Morris

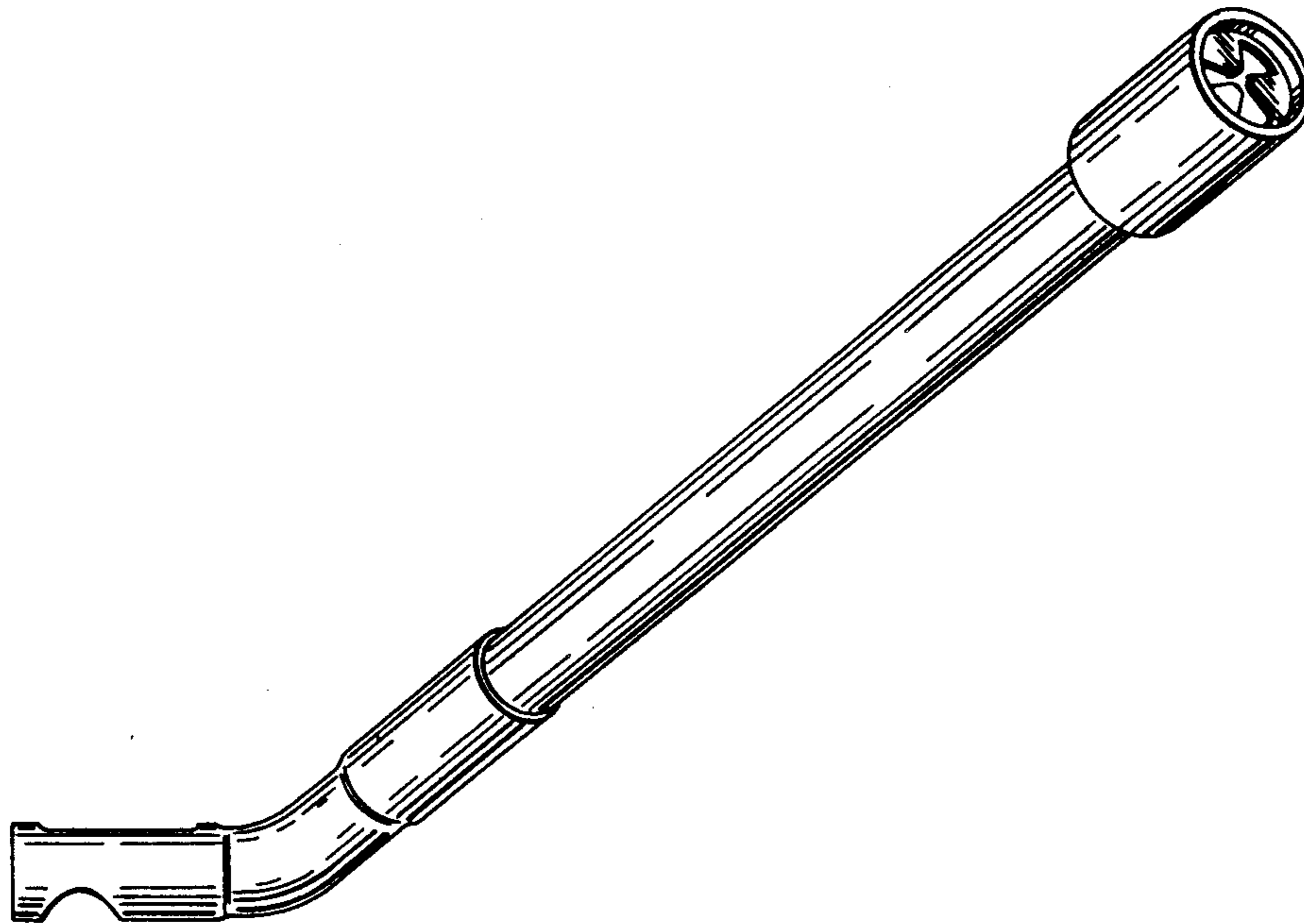
Attorney, Agent, or Firm—Fulwider, Patton, Reiber, Lee, & Utecht

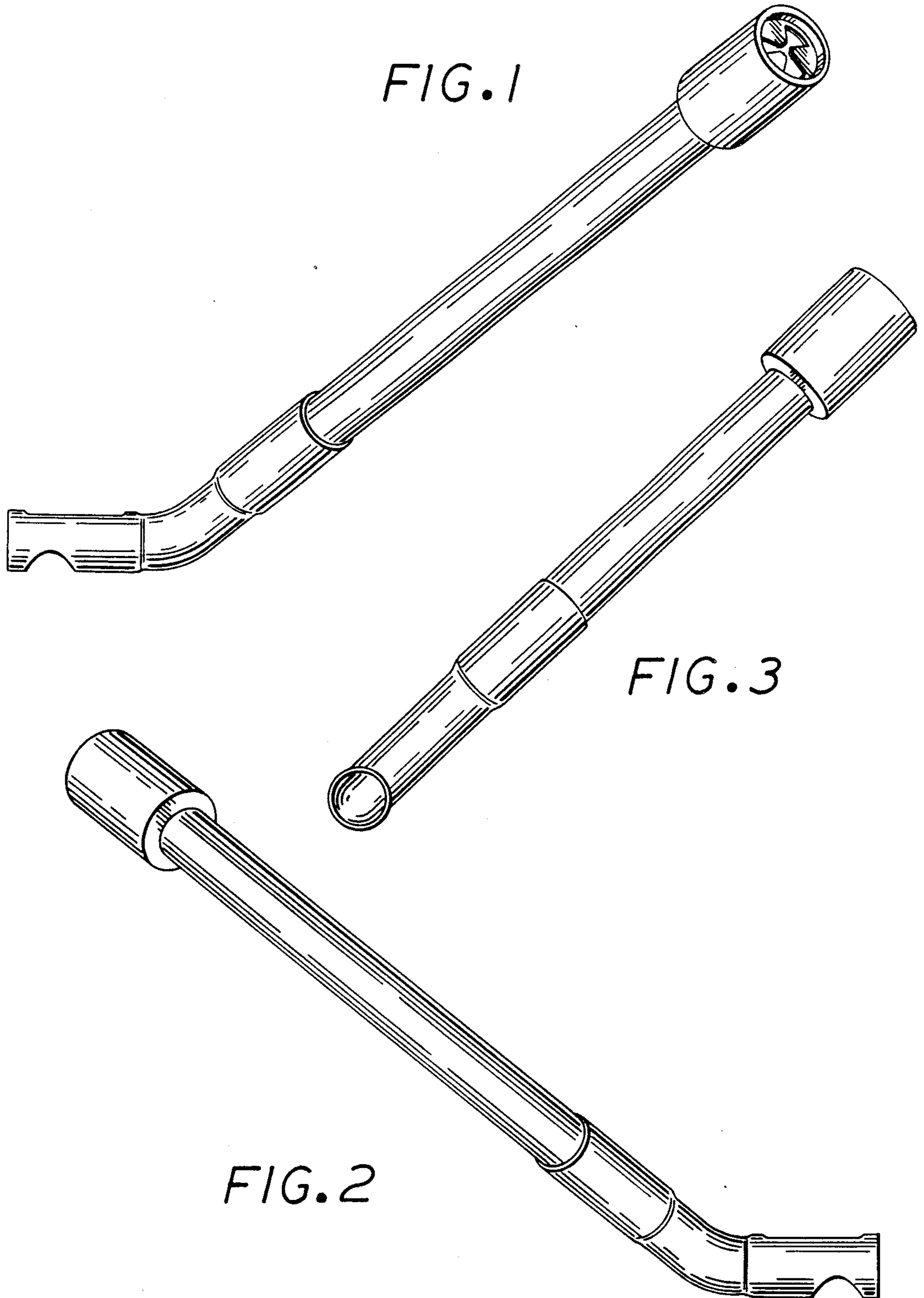
[57] CLAIM

The ornamental design for a gravity load magazine for paint pellet pistol, as shown and described.

DESCRIPTION

FIG. 1 is a right side view of a gravity load magazine for paint pellet pistol, showing my new design;
 FIG. 2 is a left side view thereof;
 FIG. 3 is a front view thereof;
 FIG. 4 is a rear view thereof;
 FIG. 5 is a top view thereof;
 FIG. 6 is a bottom view thereof.





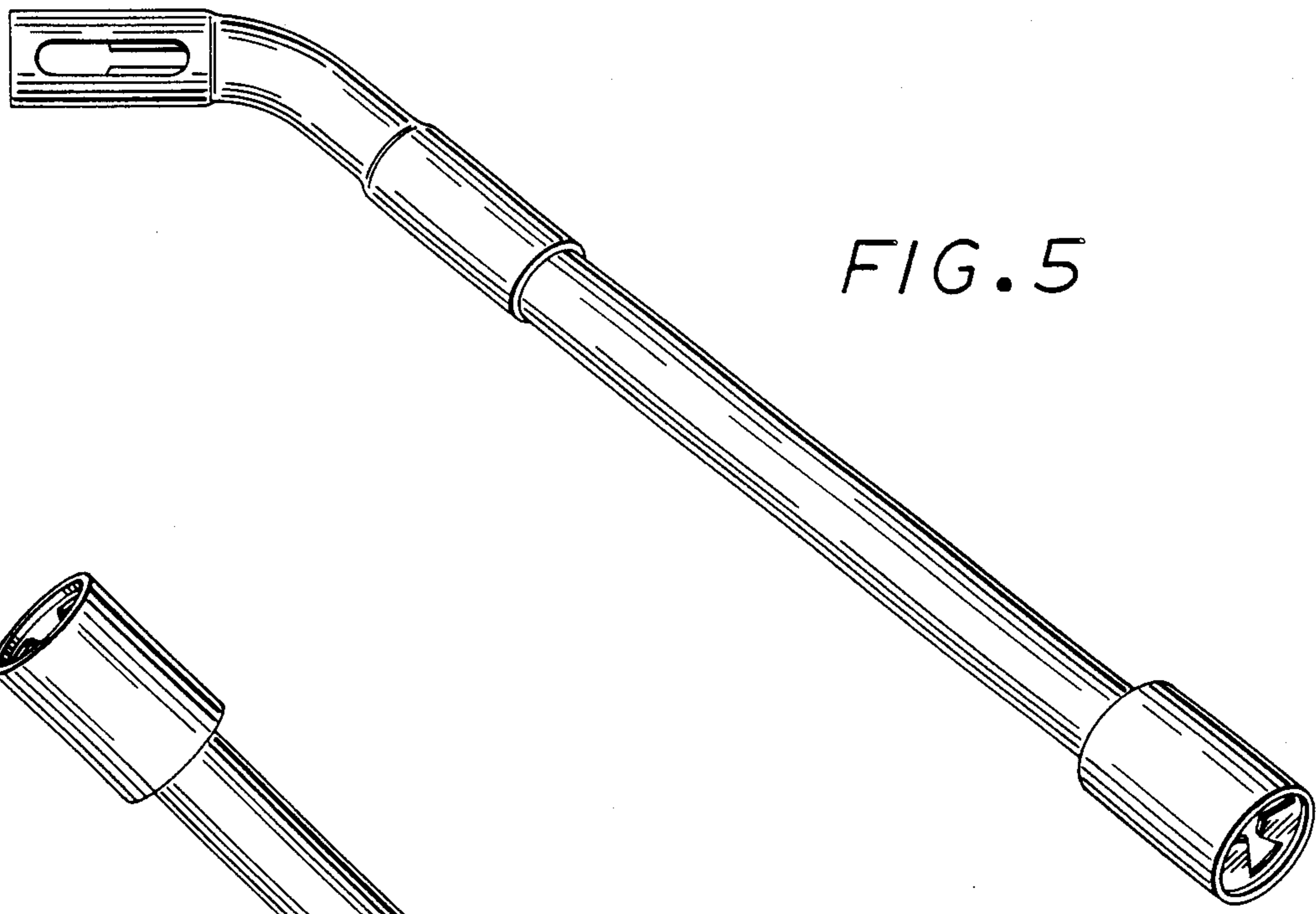


FIG. 5

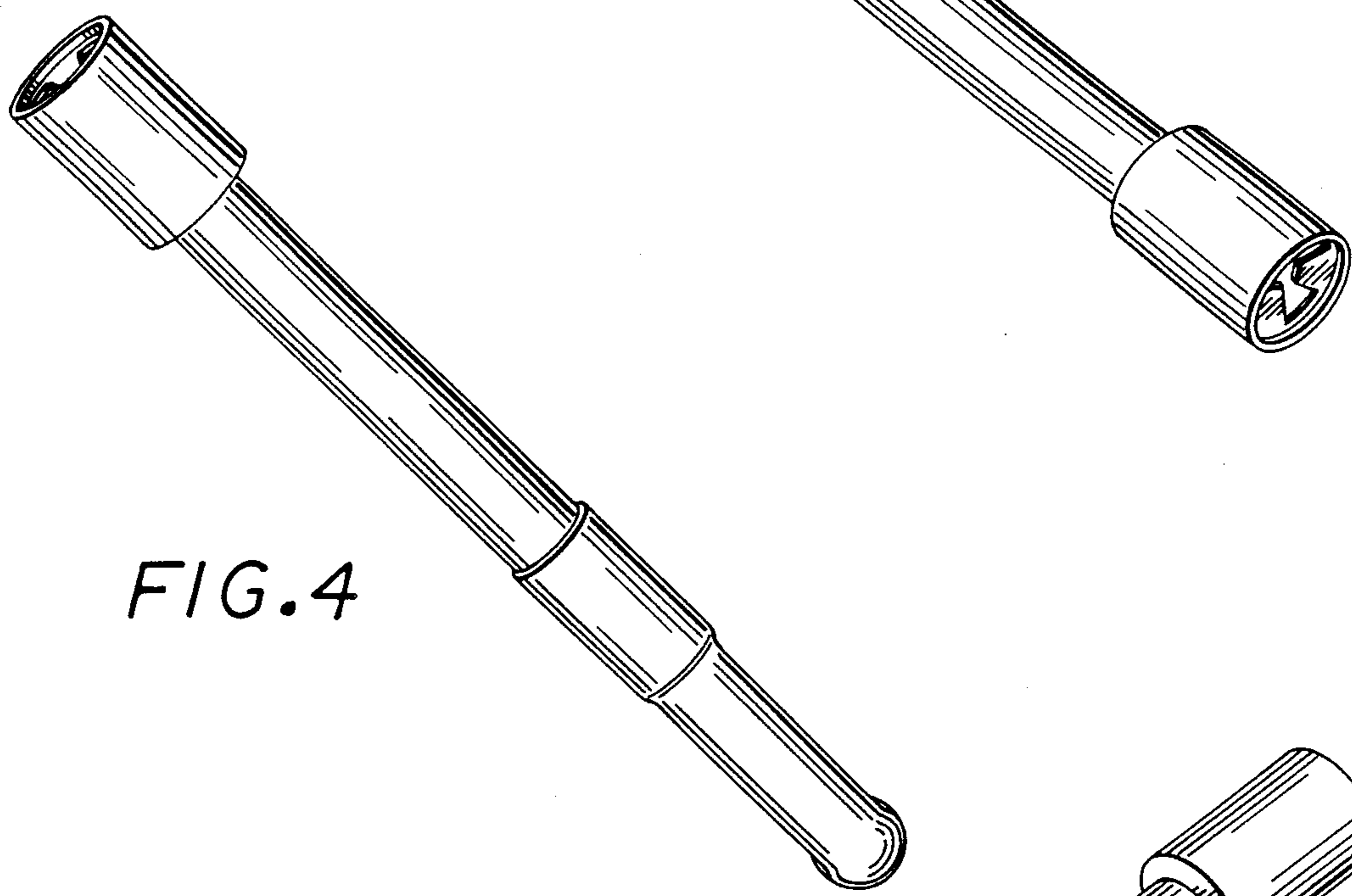


FIG. 4

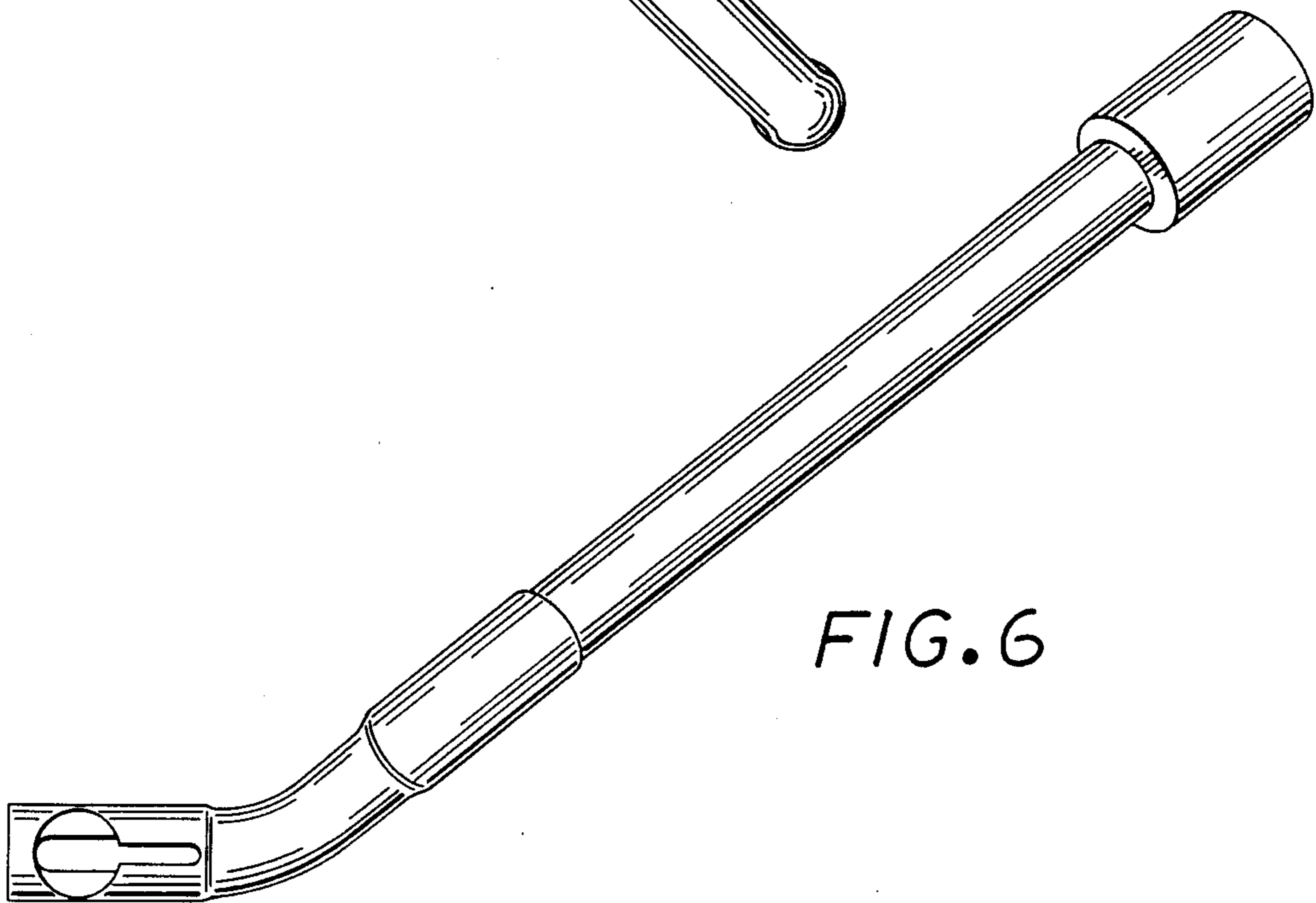


FIG. 6