

United States Patent [19]
Garfinkle

[11] **Patent Number: Des. 314,017**

[45] **Date of Patent: ** Jan. 22, 1991**

[54] **LABEL HOLDER**

[75] **Inventor: Benjamin L. Garfinkle, Alameda, Calif.**

[73] **Assignee: Clamp Swing Pricing Co., Inc., Alameda, Calif.**

[**] **Term: 14 Years**

[21] **Appl. No.: 306,456**

[22] **Filed: Feb. 3, 1989**

[52] **U.S. Cl. D20/43**

[58] **Field of Search D20/43, 42, 40, 29, D20/27, 23, 22; 40/336, 337, 338, 339, 490, 493, 584, 591, 594, 597, 600, 611, 642, 643, 644, 618, 5**

[56] **References Cited**

U.S. PATENT DOCUMENTS

D. 306,878 3/1990 Crowley D20/43
262,507 8/1882 Thomas 40/1

2,608,777 9/1952 Schuler 40/618
4,334,372 6/1982 Colmar 40/5
4,449,310 5/1984 Kline 40/1.5
4,688,341 8/1987 Castel 40/5

Primary Examiner—Wallace R. Burke
Assistant Examiner—Marcus Jackson
Attorney, Agent, or Firm—Malcolm B. Wittenberg

[57] **CLAIM**

The design for a label holder, as shown and described.

DESCRIPTION

FIG. 1 is a perspective view of a label holder showing my new design, with the broken lines shown for illustrative purposes only and forming no part of the claimed design;

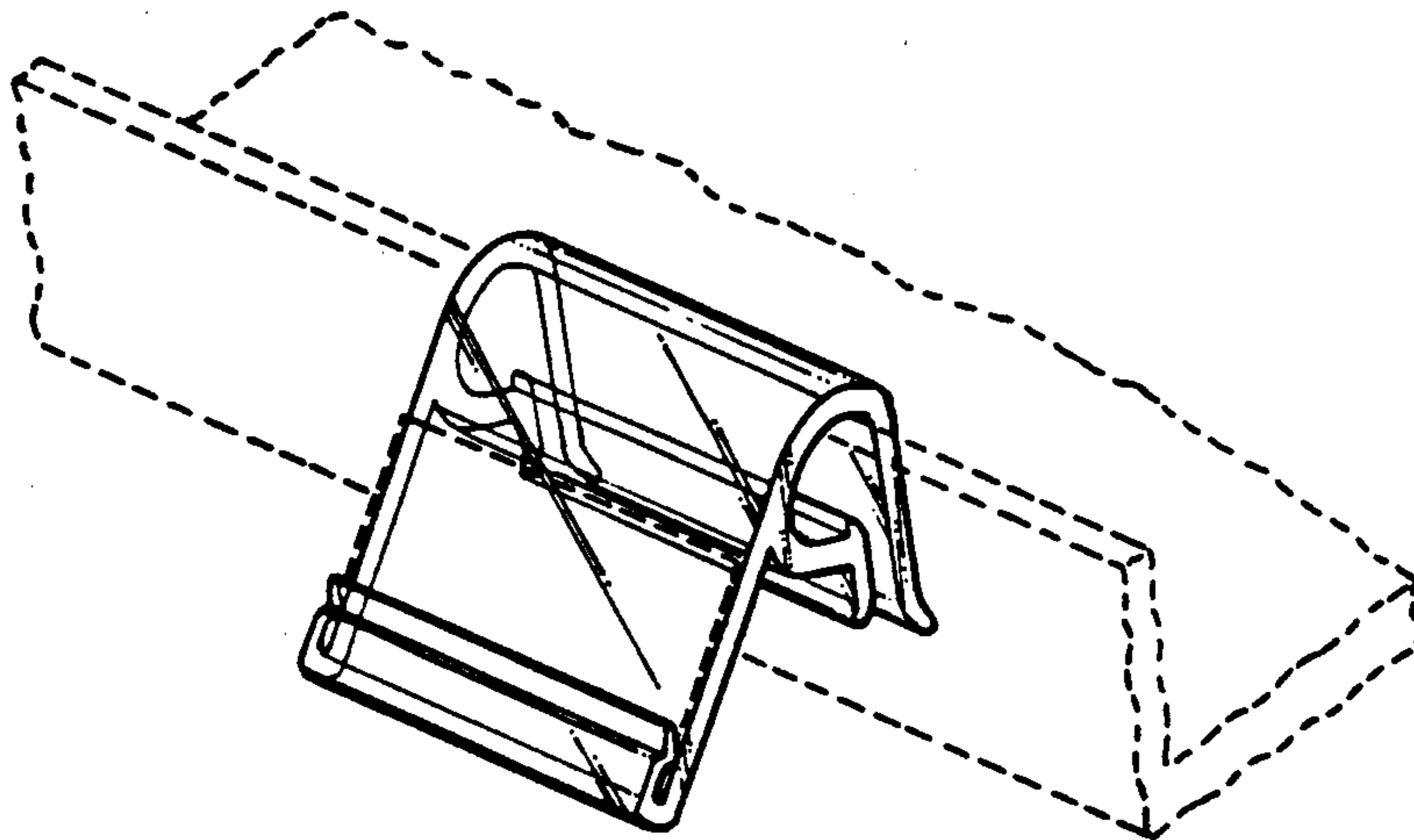
FIG. 2 is a top plan view thereof;

FIG. 3 is a front elevational view thereof;

FIG. 4 is a right side elevational view, with the left side being a mirror image thereof;

FIG. 5 is a rear elevational view thereof;

FIG. 6 is a bottom plan view thereof.



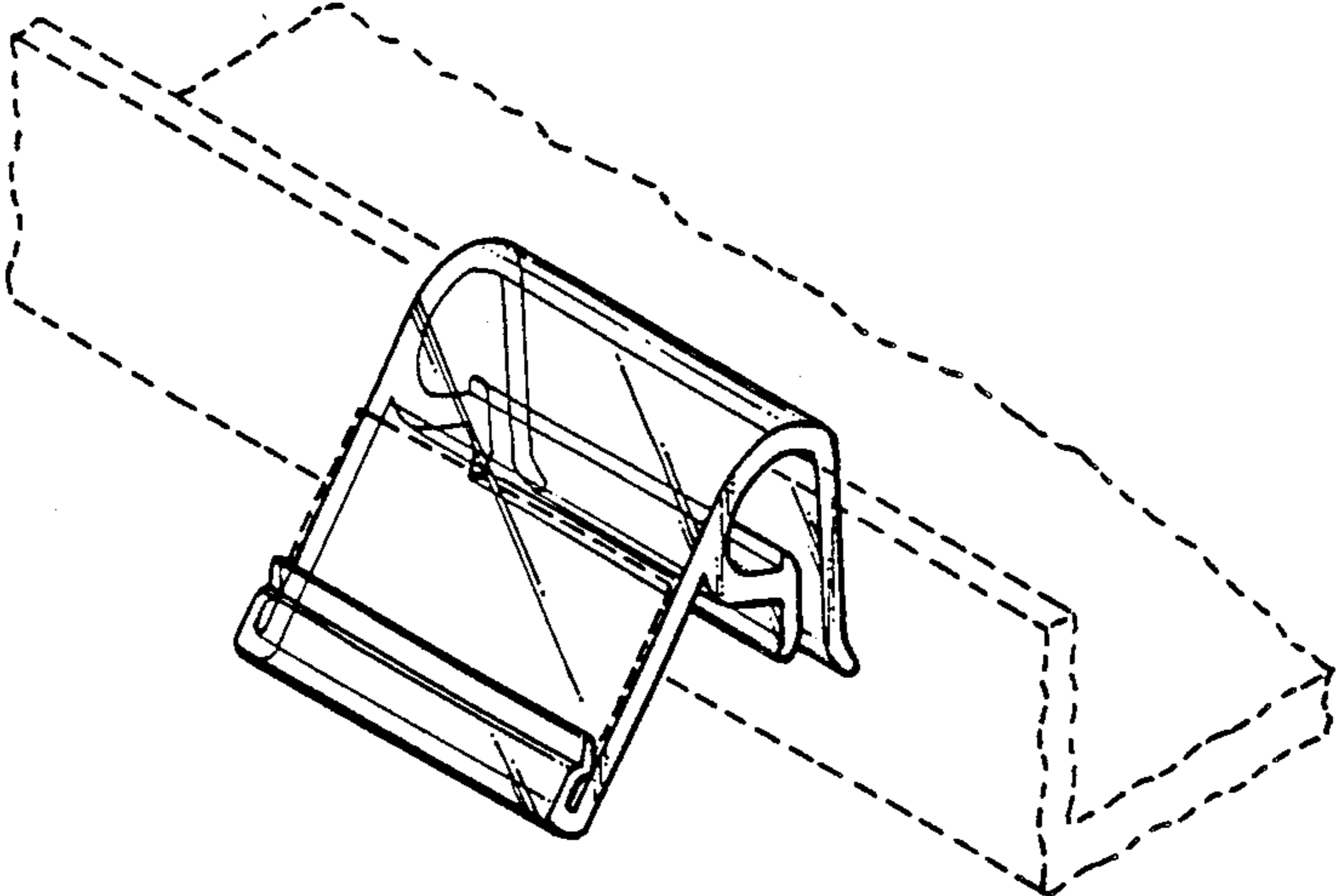


FIG. 1.

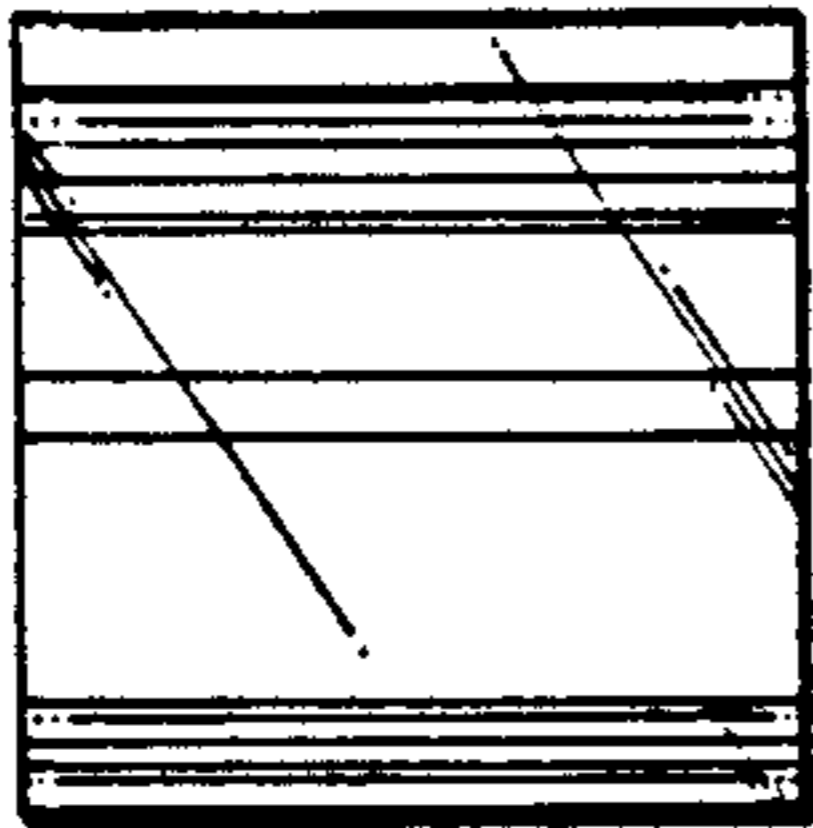


FIG. 2.

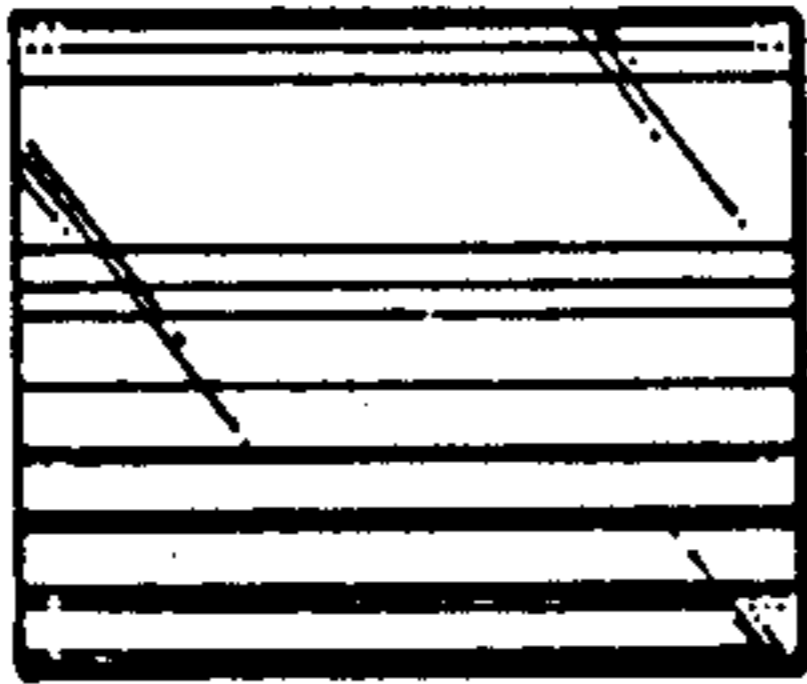


FIG. 3.

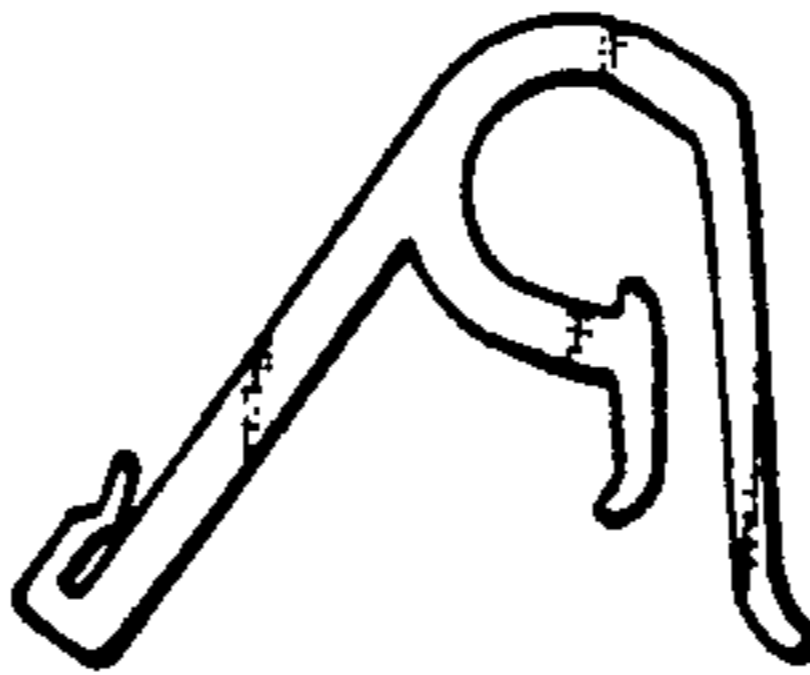


FIG. 4.



FIG. 5.

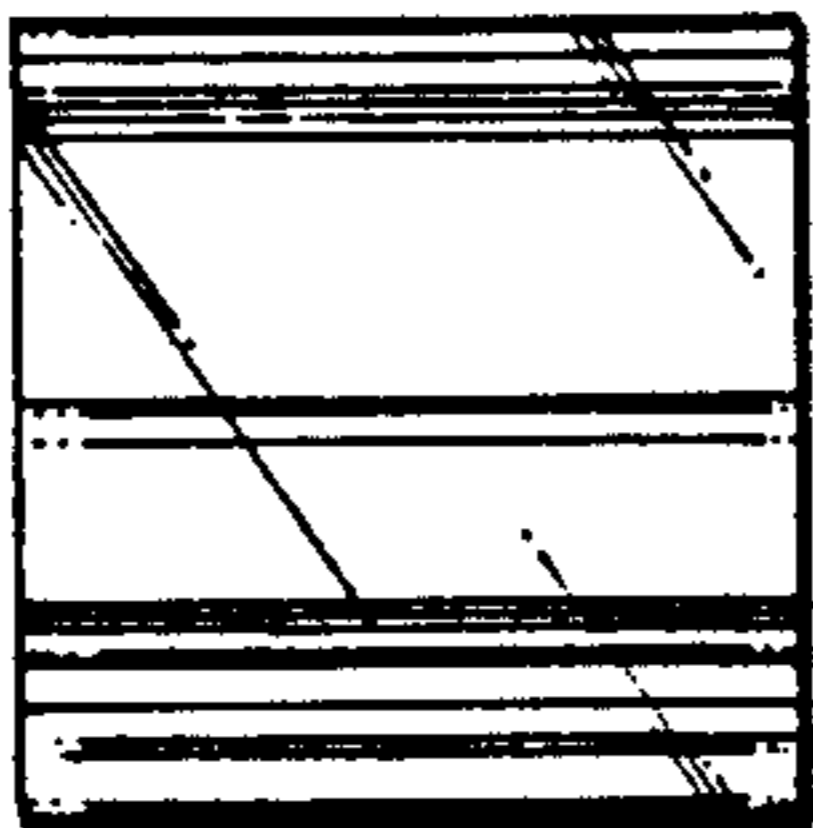


FIG. 6.