

[54] PAPER FASTENER

[75] Inventor: Gerald J. Klodt, Madison, Wis.

[73] Assignee: W. T. Rogers Company, Madison, Wis.

[**] Term: 14 Years

[21] Appl. No.: 101,753

[22] Filed: Sep. 28, 1987

[52] U.S. Cl. D19/65; D19/86

[58] Field of Search D8/395; D19/65, 75, D19/86, 88, 90, 99, 100, 34; 24/67.3, 67 R, 67.9, 67.11, 545, 546

[56] References Cited

U.S. PATENT DOCUMENTS

D. 135,814	6/1943	Ours	D19/65
D. 248,825	8/1978	Redmer	D19/90 X
D. 268,848	5/1983	Lorber	D19/99
D. 293,337	12/1987	Burgdorf	D19/65
D. 305,036	12/1989	Voetsch	D19/34
3,673,641	7/1971	Lorber	24/67.9

OTHER PUBLICATIONS

Designers and Buyers Guide for Retail Display Fasten-

ers, Fasteners for Retail, 36 Alpha Park, Cleveland, OH 44143.

Photographs of the Easy Up Fastener Clip.

Primary Examiner—Nelson C. Holtje

Assistant Examiner—Martha Thompson

Attorney, Agent, or Firm—Lathrop & Clark

[57] CLAIM

The ornamental design for a paper fastener, as shown and described.

DESCRIPTION

FIG. 1 is a perspective view of a paper fastener showing my new design;

FIG. 2 is a right side elevational view, the left side being a mirror image thereof;

FIG. 3 is a front elevational view thereof;

FIG. 4 is a rear elevational view thereof;

FIG. 5 is a top plan view thereof; and

FIG. 6 is a bottom plan view thereof.

FIG. 7 is a perspective view of a second embodiment of my new design;

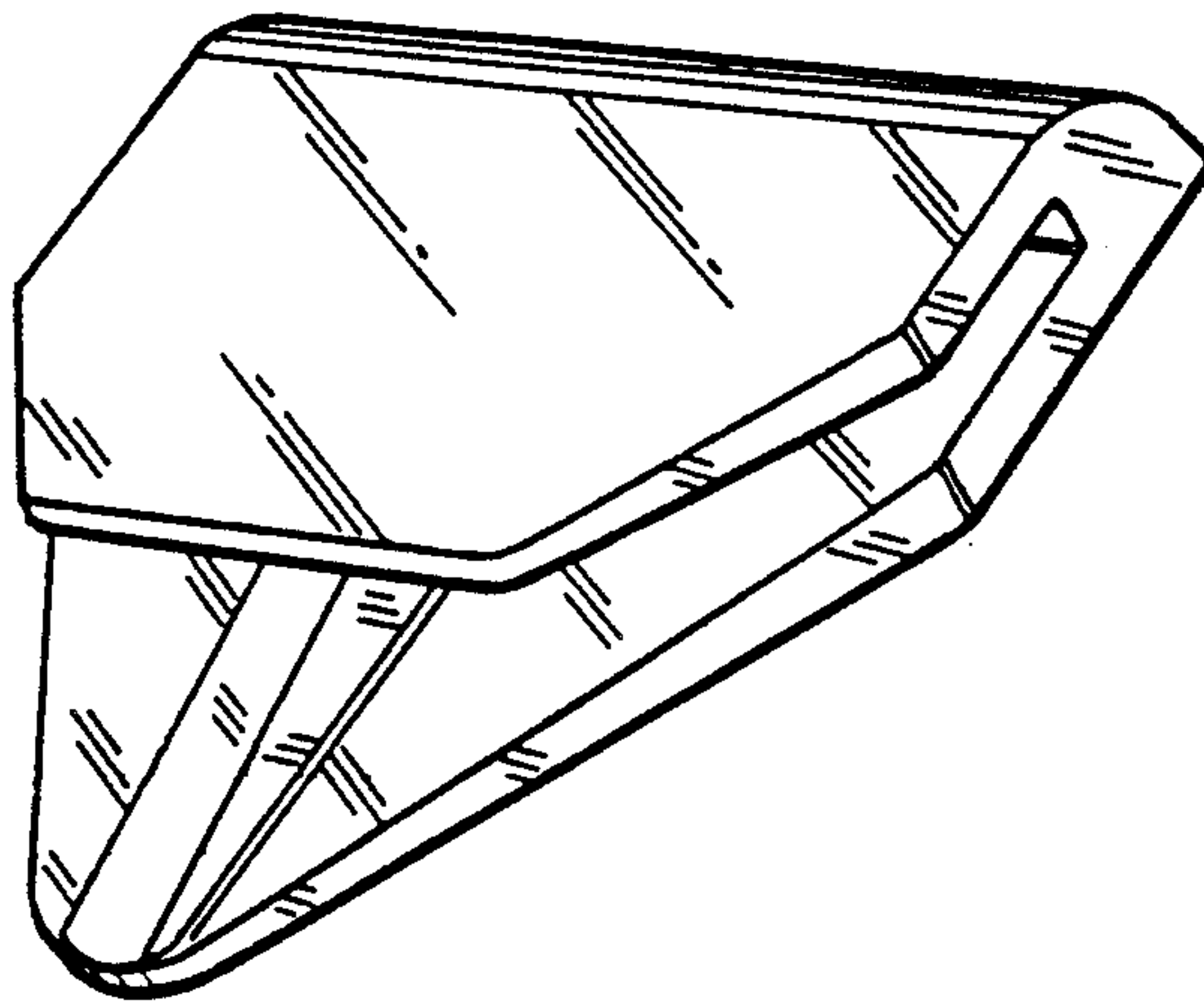
FIG. 8 is a right side elevational view of FIG. 7; the left side being a mirror image thereof;

FIG. 9 is a front elevational view of FIG. 7;

FIG. 10 is a rear elevational view of FIG. 7;

FIG. 11 is a top plan view of FIG. 7; and

FIG. 12 is a bottom plan view of FIG. 7.



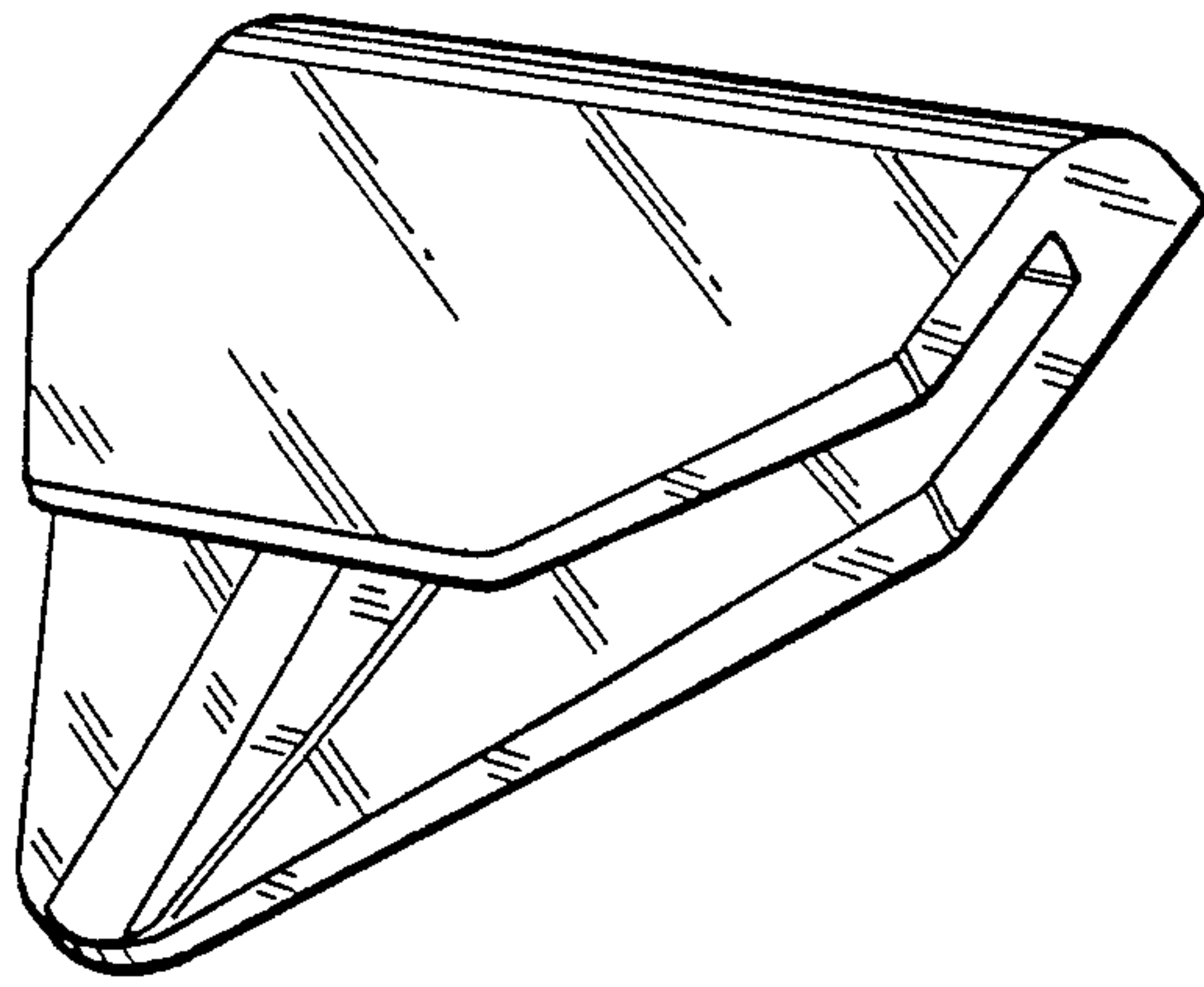


FIG. 1

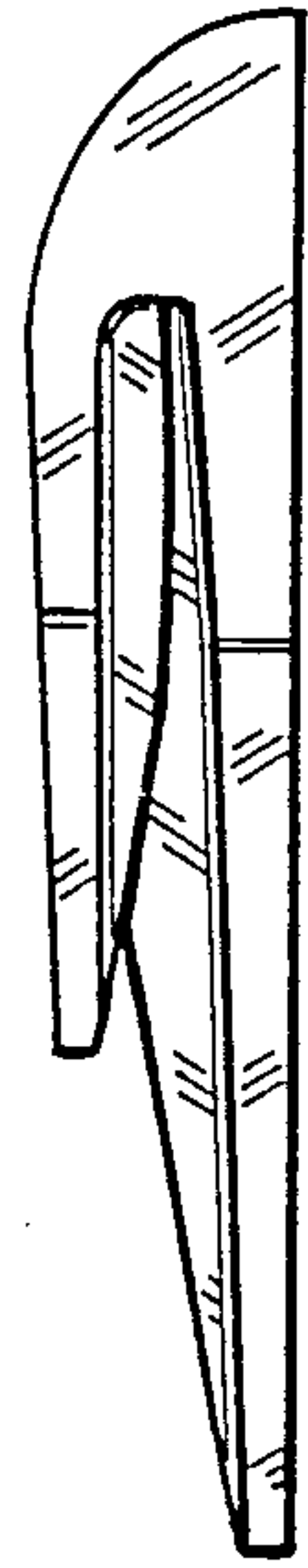


FIG. 2

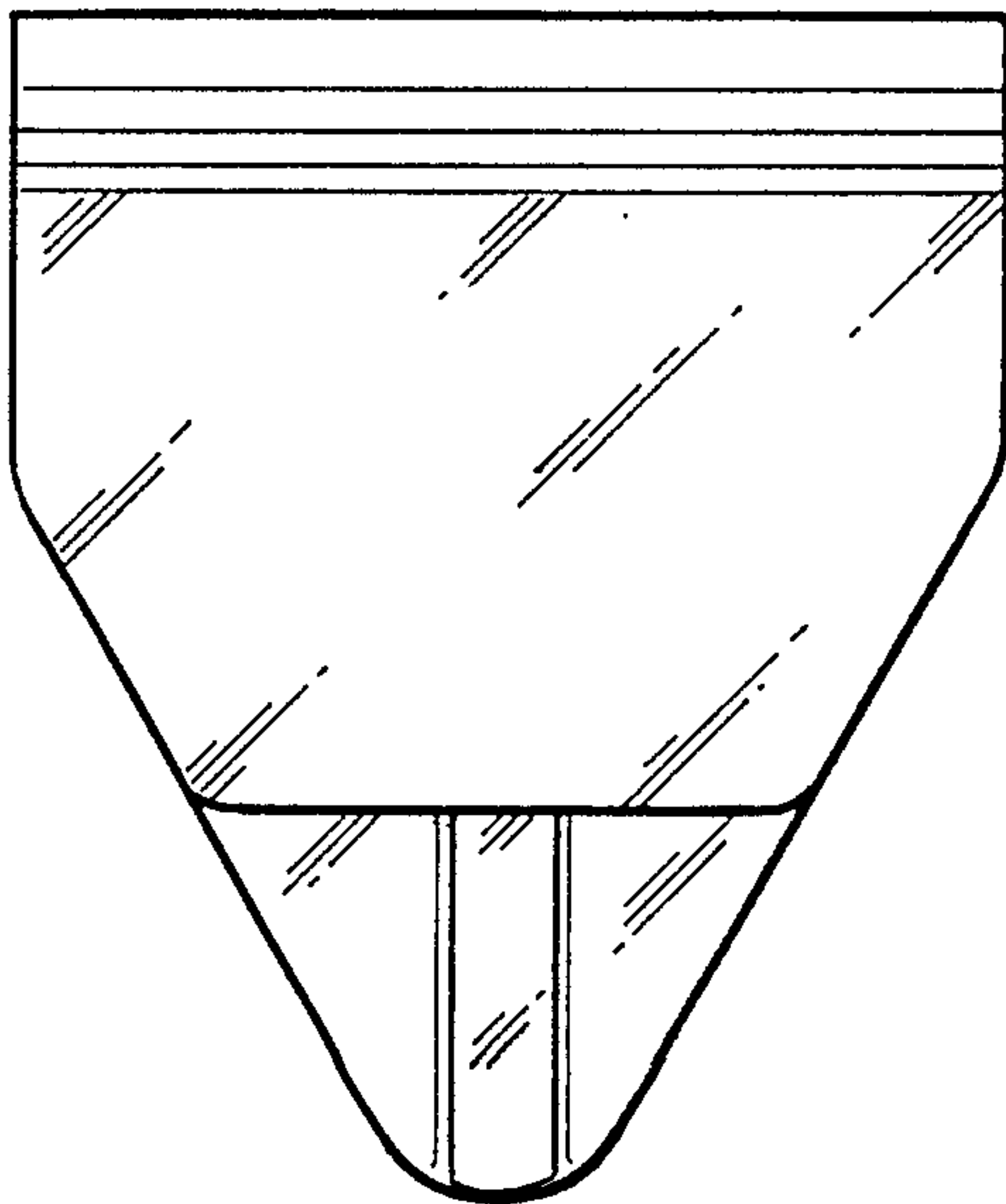


FIG. 3

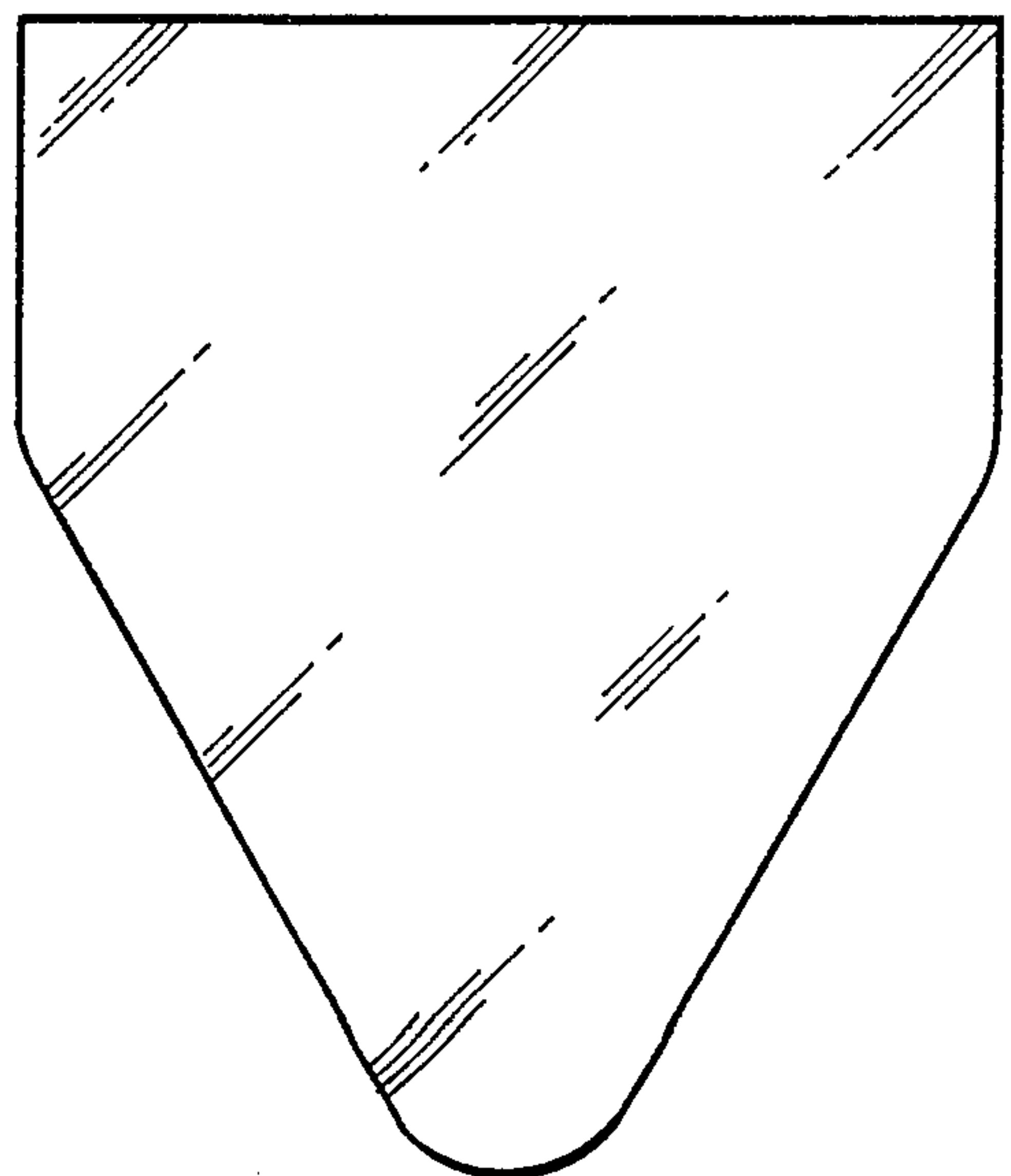


FIG. 4

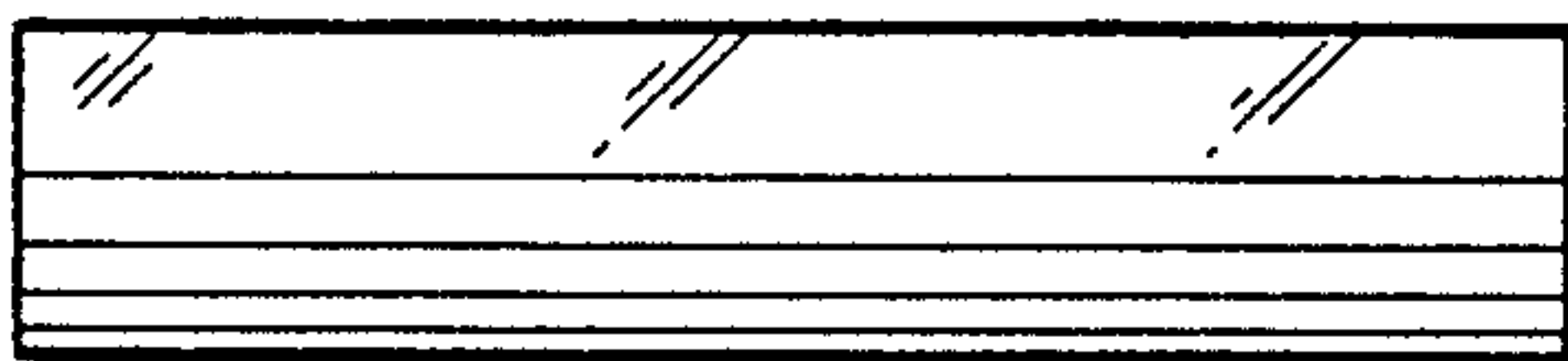


FIG. 5

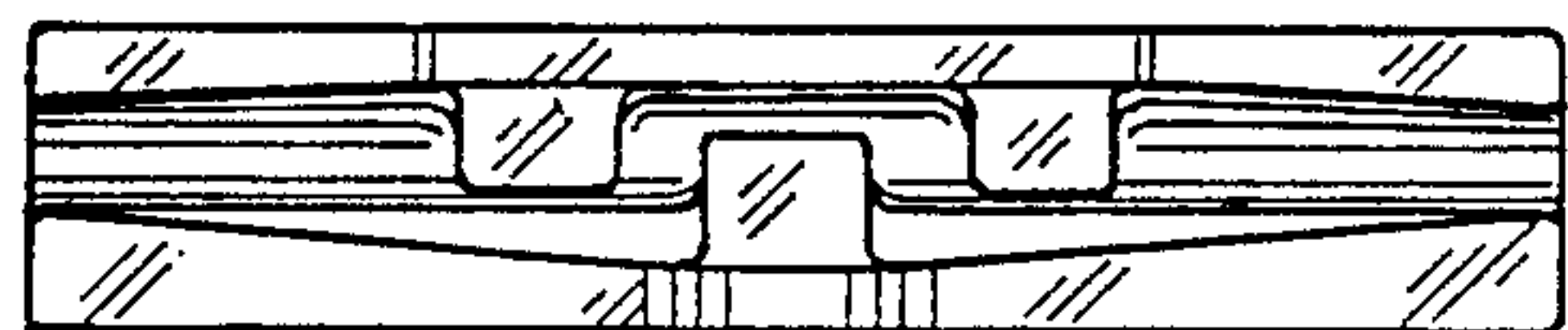


FIG. 6

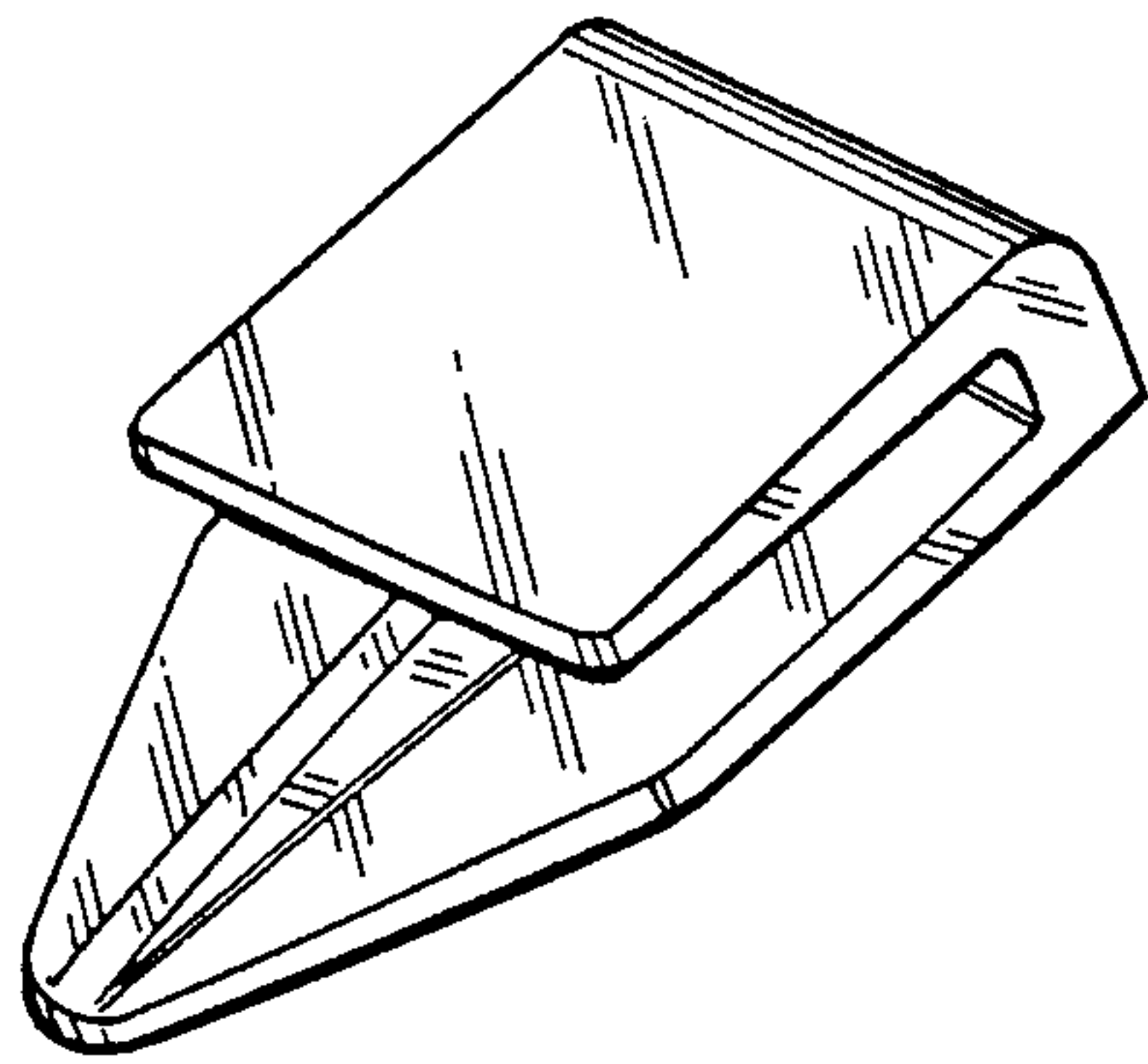


FIG. 7



FIG. 8

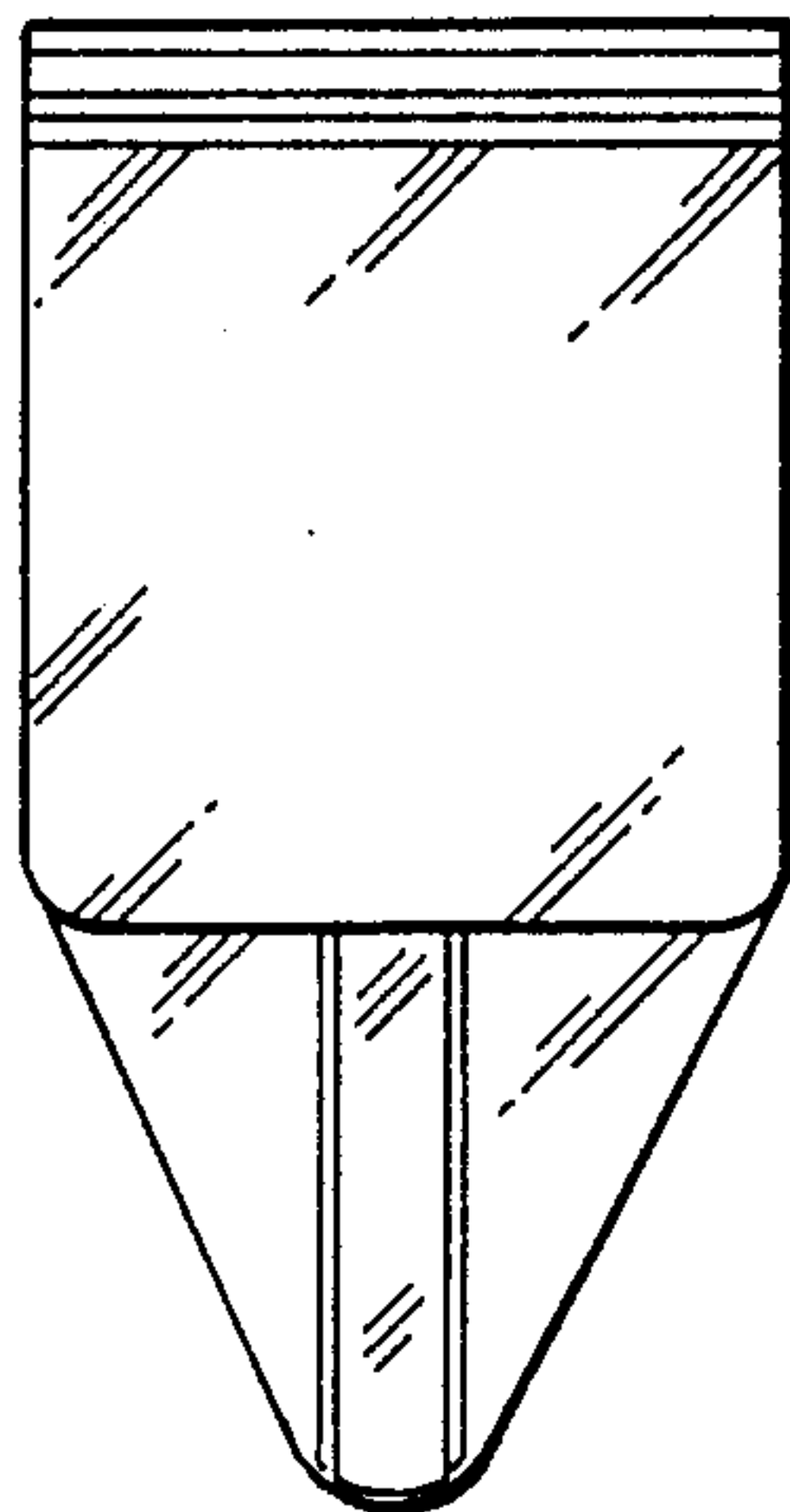


FIG. 9

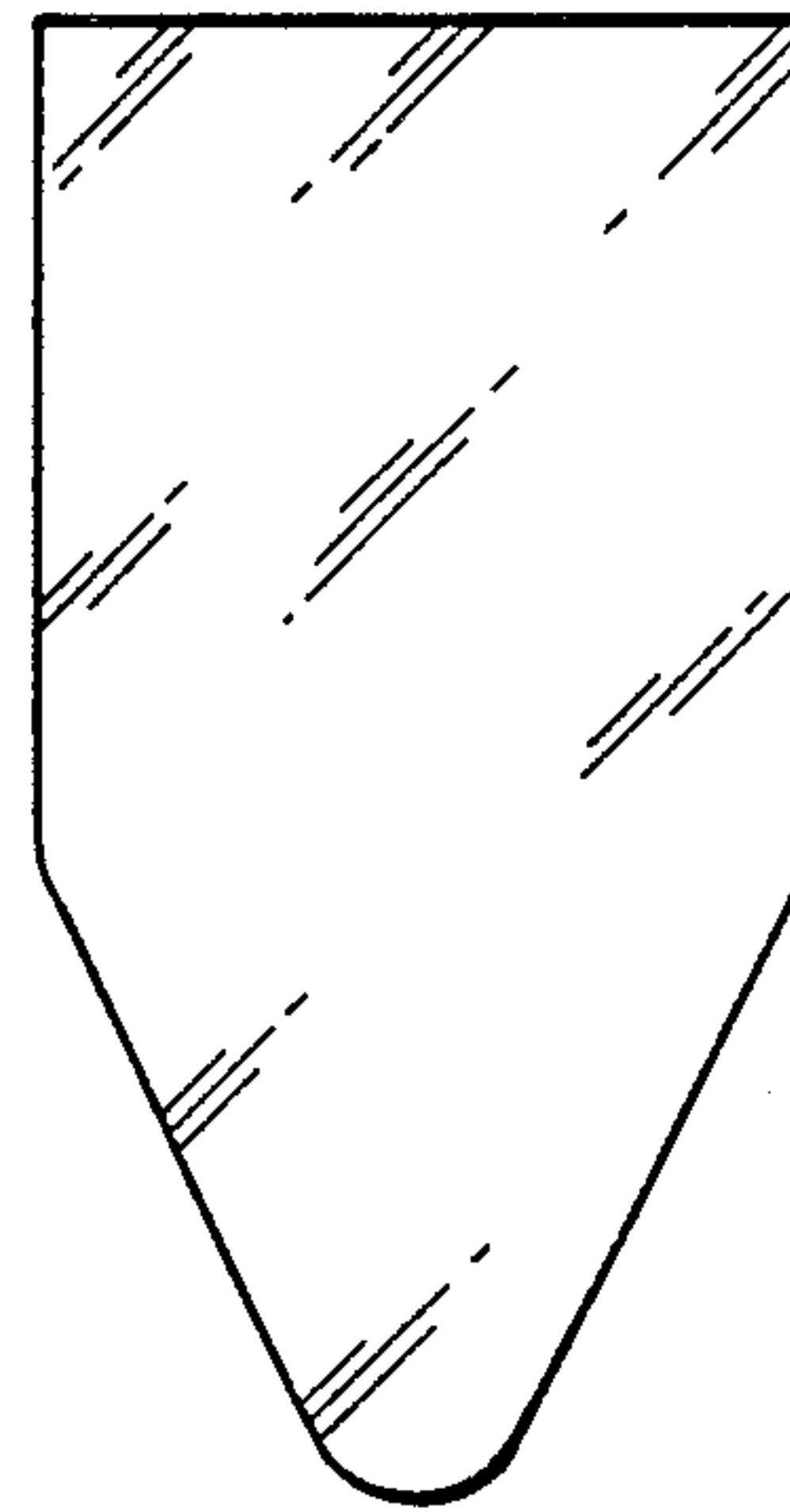


FIG. 10

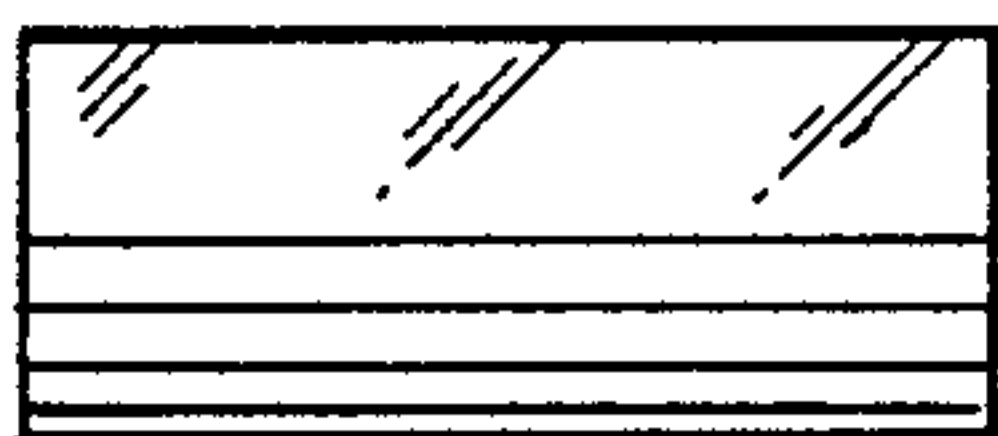


FIG. 11

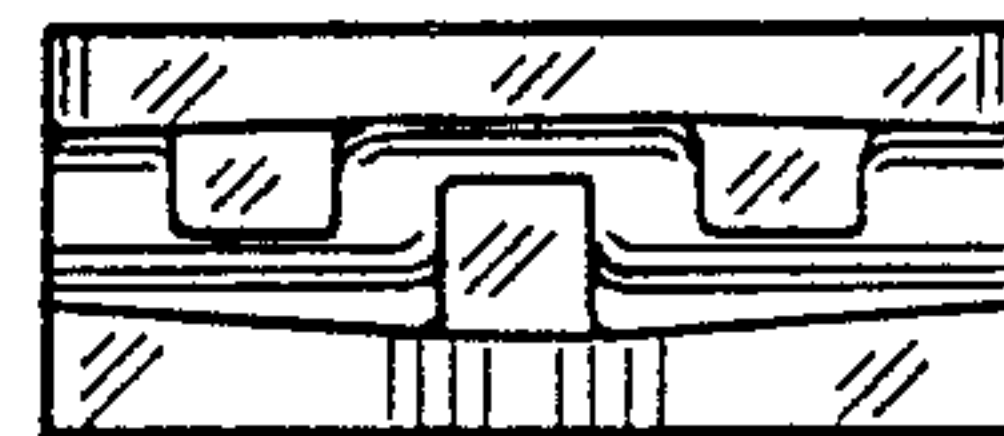


FIG. 12