

[54] PRINTING HEAD FOR INK JET PRINTER

[75] Inventors: Tsutomu Abe, Isehara; Kenjiro Watanabe, Tokyo, both of Japan

[73] Assignee: Canon Kabushiki Kaisha, Tokyo, Japan

[**] Term: 14 Years

[21] Appl. No.: 218,022

[22] Filed: Jul. 12, 1988

[30] Foreign Application Priority Data

Jan. 13, 1988 [JP] Japan 63-888

[52] U.S. Cl. D18/22

[58] Field of Search D18/12, 13, 22, 99; D14/121, 100, 109, 114, 115; 346/140 PD; 340/700; 400/67, 121, 124, 126, 175, 194, 197, 200-202, 202.1-202.3, 248, 679, 690.1, 691-693, 719

[56] References Cited

U.S. PATENT DOCUMENTS

- D. 237,747 11/1975 Ludwick D18/12
- D. 267,330 12/1982 Worrell D18/12

4,134,696	1/1979	Hanakata et al.	400/121
4,239,402	12/1980	Jung et al.	400/692
4,426,165	1/1984	Irro	400/692
4,474,485	10/1984	Sekiguchi	400/121
4,544,288	10/1985	Suzuki et al.	400/121
4,647,237	3/1987	Moriya et al.	400/124
4,687,354	8/1987	Tanaka	400/121

Primary Examiner—James R. Largen
Assistant Examiner—CathyAnne MacCormac
Attorney, Agent, or Firm—Fitzpatrick, Cella, Harper & Scinto

[57] CLAIM

The ornamental design for a printing head for ink jet printer, as shown and described.

DESCRIPTION

FIG. 1 is a front elevational view of a printing head for ink jet printer showing our new design; FIG. 2 is a rear elevational view thereof; FIG. 3 is a top plan view thereof; FIG. 4 is a bottom plan view thereof; FIG. 5 is a left side elevational view thereof; FIG. 6 is a right side elevational view thereof; and FIG. 7 is a perspective view thereof.

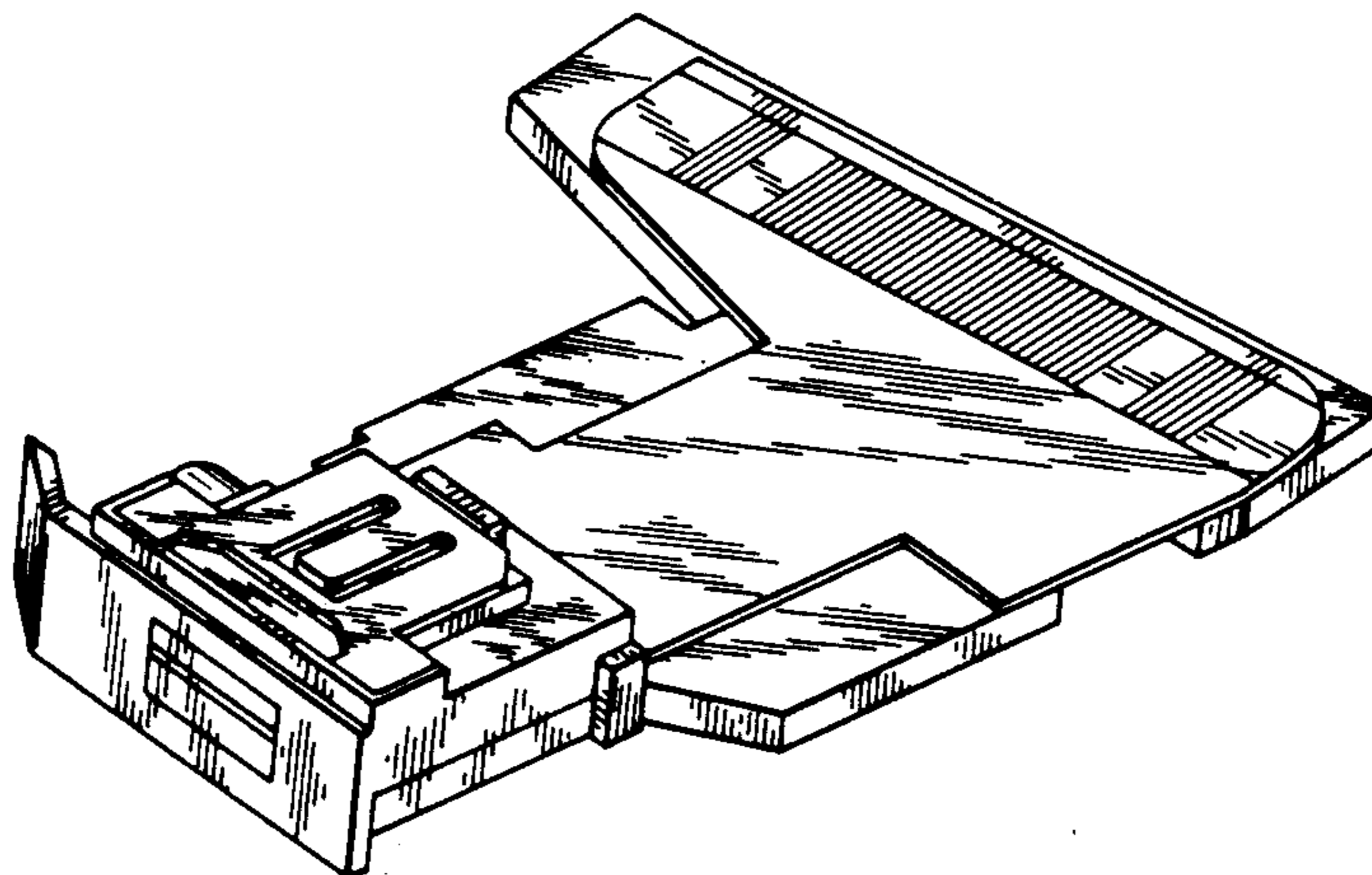


FIG. 1

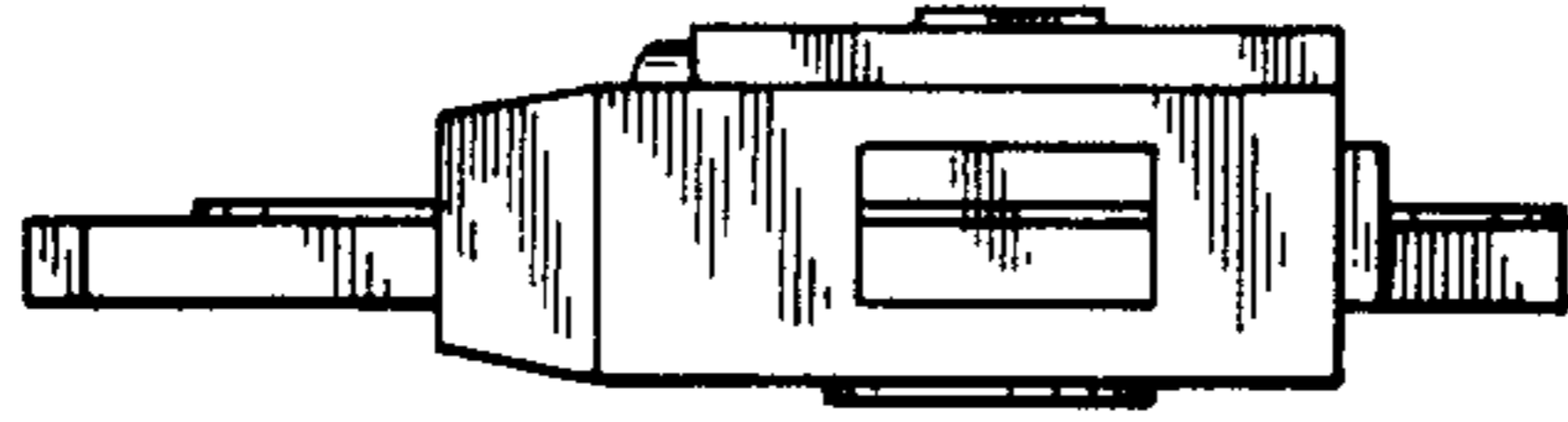


FIG. 2

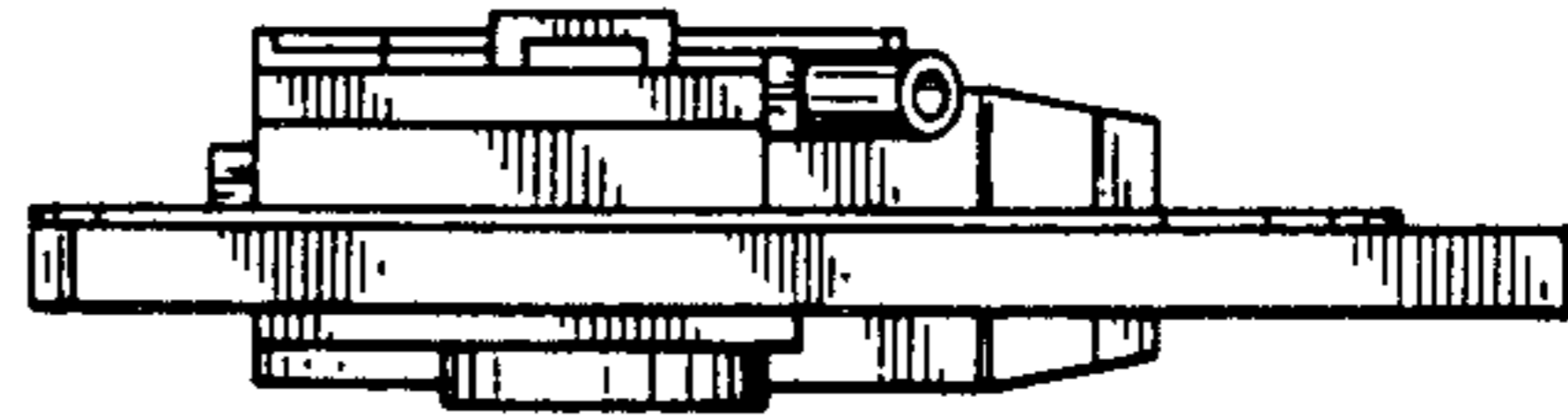


FIG. 3

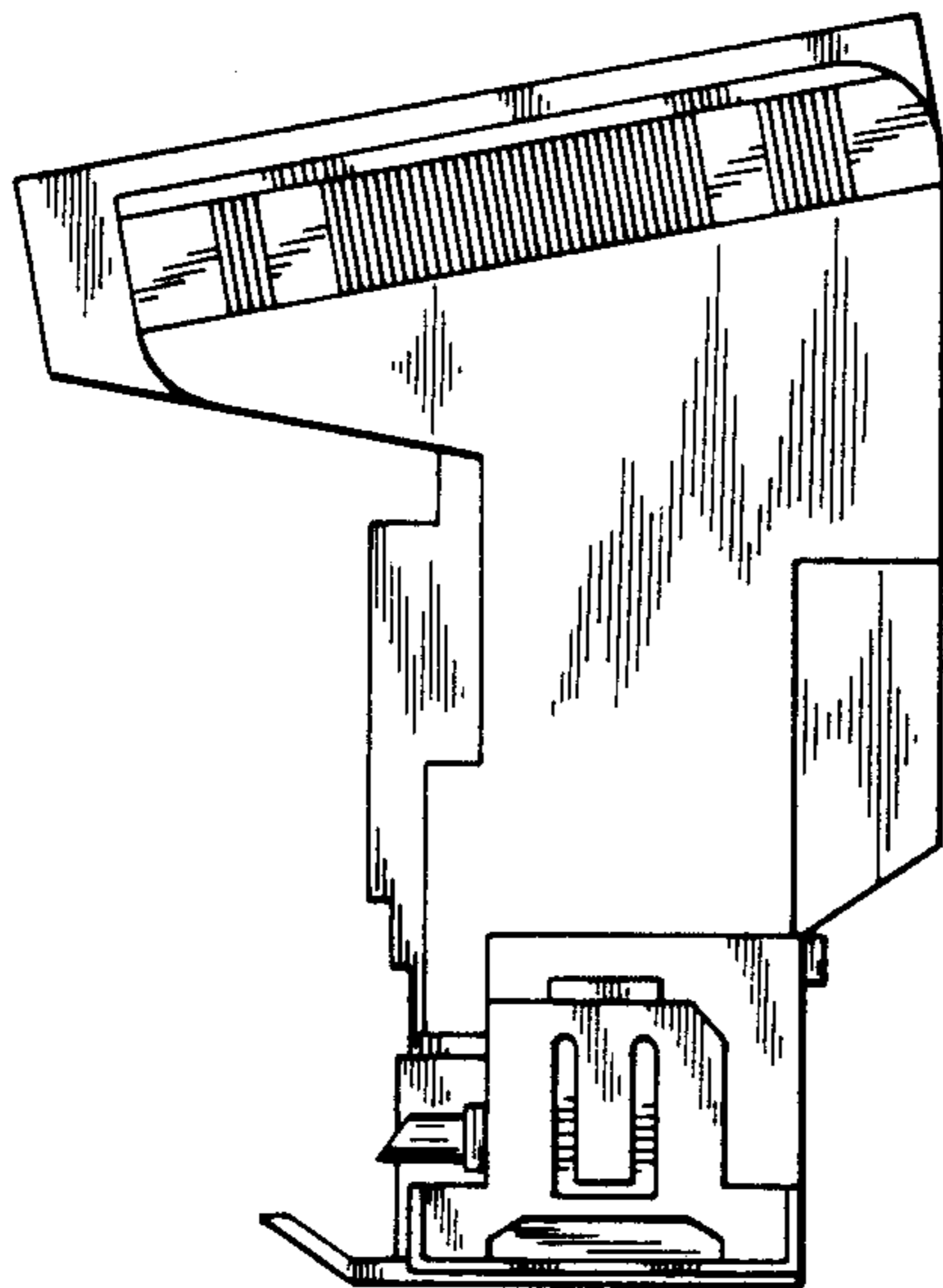


FIG. 4



FIG. 5

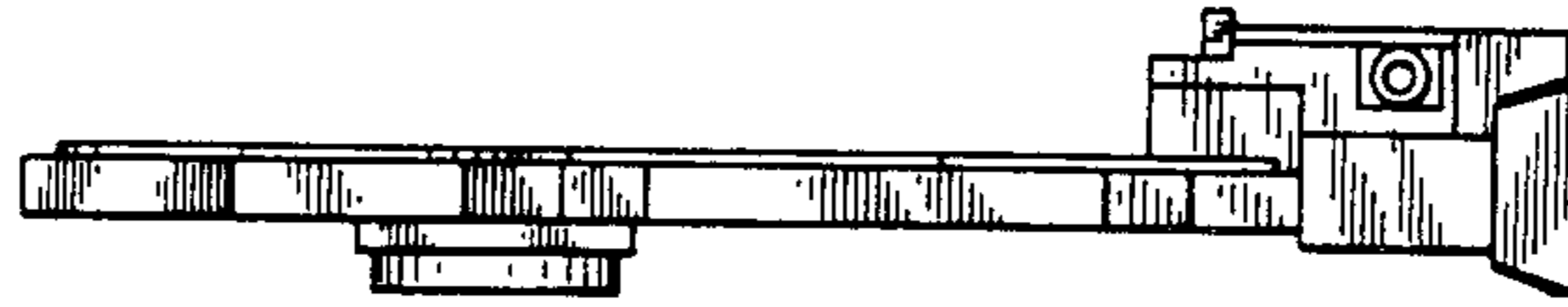


FIG. 6

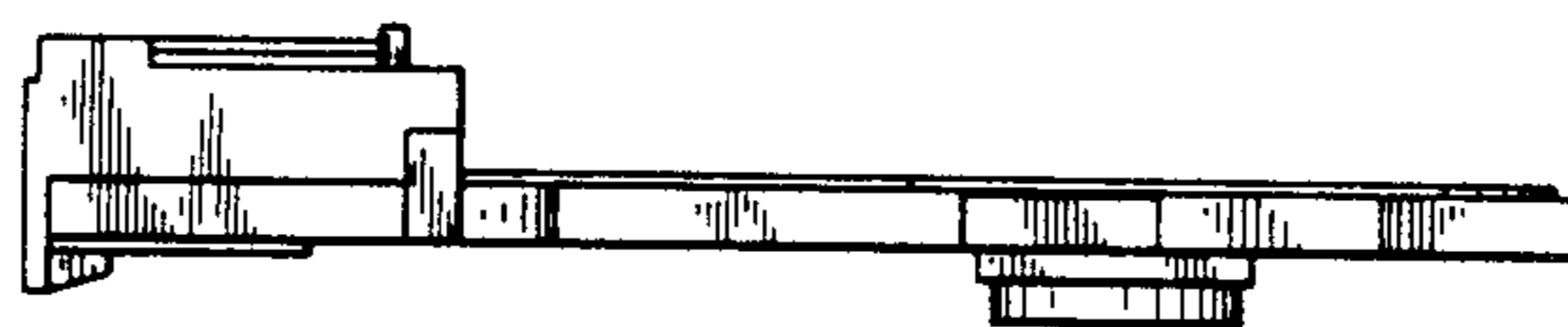


FIG. 7

