

[54] **SAFETY GOGGLE**

[75] **Inventor:** Herbert Nussbickl, Oberasbach, Fed. Rep. of Germany

[73] **Assignee:** Uvex Winter Optik GmbH, Furth/Bay, Fed. Rep. of Germany

[**] **Term:** 14 Years

[21] **Appl. No.:** 104,113

[22] **Filed:** Oct. 1, 1987

[30] **Foreign Application Priority Data**

Apr. 22, 1987 [WO] World Int. Prop. O. DM/008528

[52] **U.S. Cl.** D16/102; D16/112

[58] **Field of Search** D16/102-122, D16/125-127; D29/9, 18; 351/41, 44-49, 51-53, 56-60, 63, 65, 70, 83, 85, 87, 90, 103, 110; 2/12, 15, 426, 431, 435, 436, 439, 440, 445-450, 452

[56] **References Cited**

U.S. PATENT DOCUMENTS

D. 294,952 3/1988 Wilson D16/110
4,515,448 5/1985 Tackles 351/41

FOREIGN PATENT DOCUMENTS

2302718 1/1976 France 2/426

OTHER PUBLICATIONS

Optician, 2/24/89, p. 42, Uvex Pro-Spec Frame.

Primary Examiner—Carmen H. Vales-Lado

Attorney, Agent, or Firm—Browdy and Neimark

[57] **CLAIM**

The ornamental design for a safety goggle, as shown.

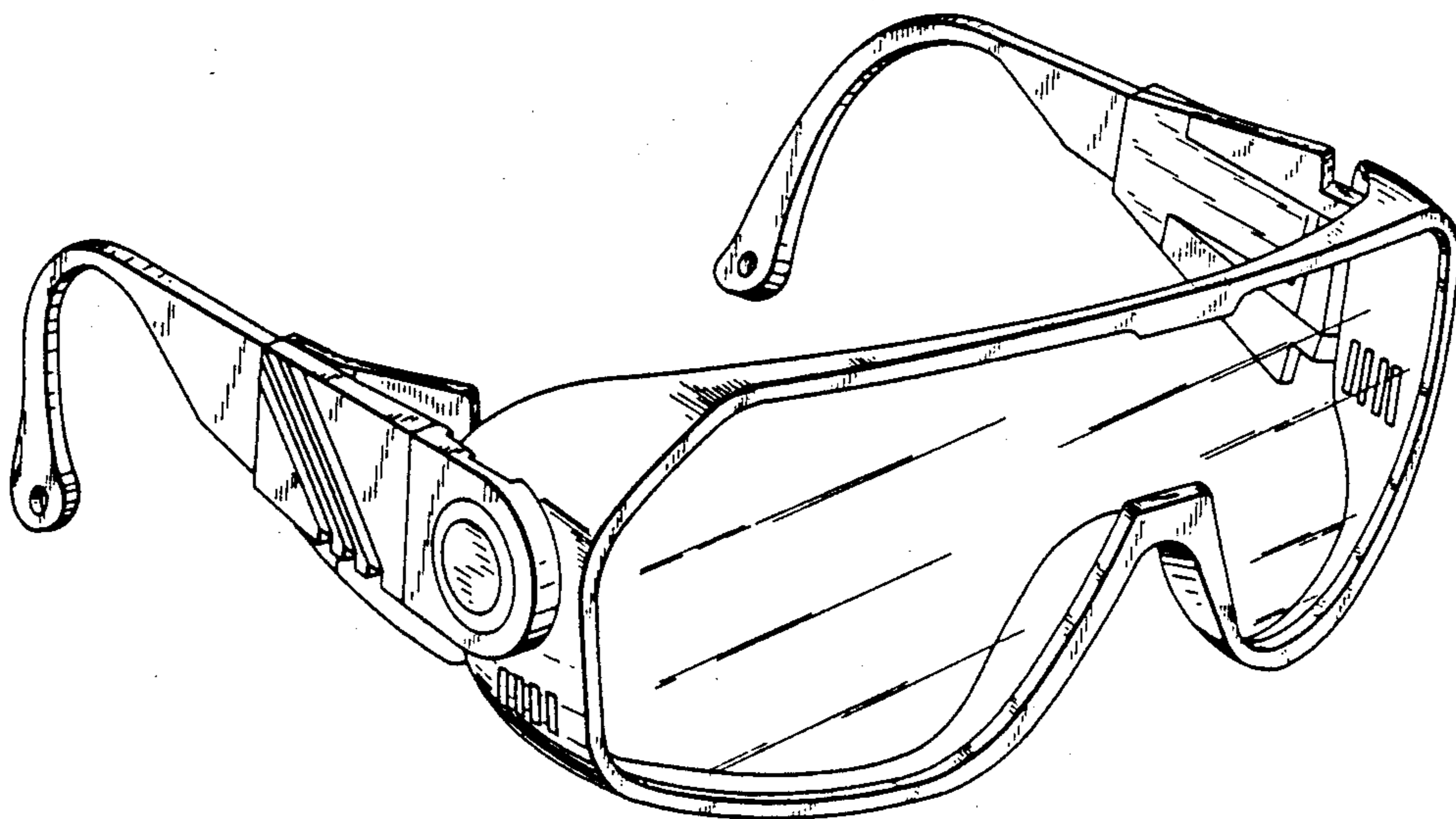
DESCRIPTION

FIG. 1 is a perspective view of a safety goggle showing my new design;

FIG. 2 is a front elevational view thereof;

FIG. 3 is a top plan view thereof;

FIG. 4 is a bottom plan view thereof.



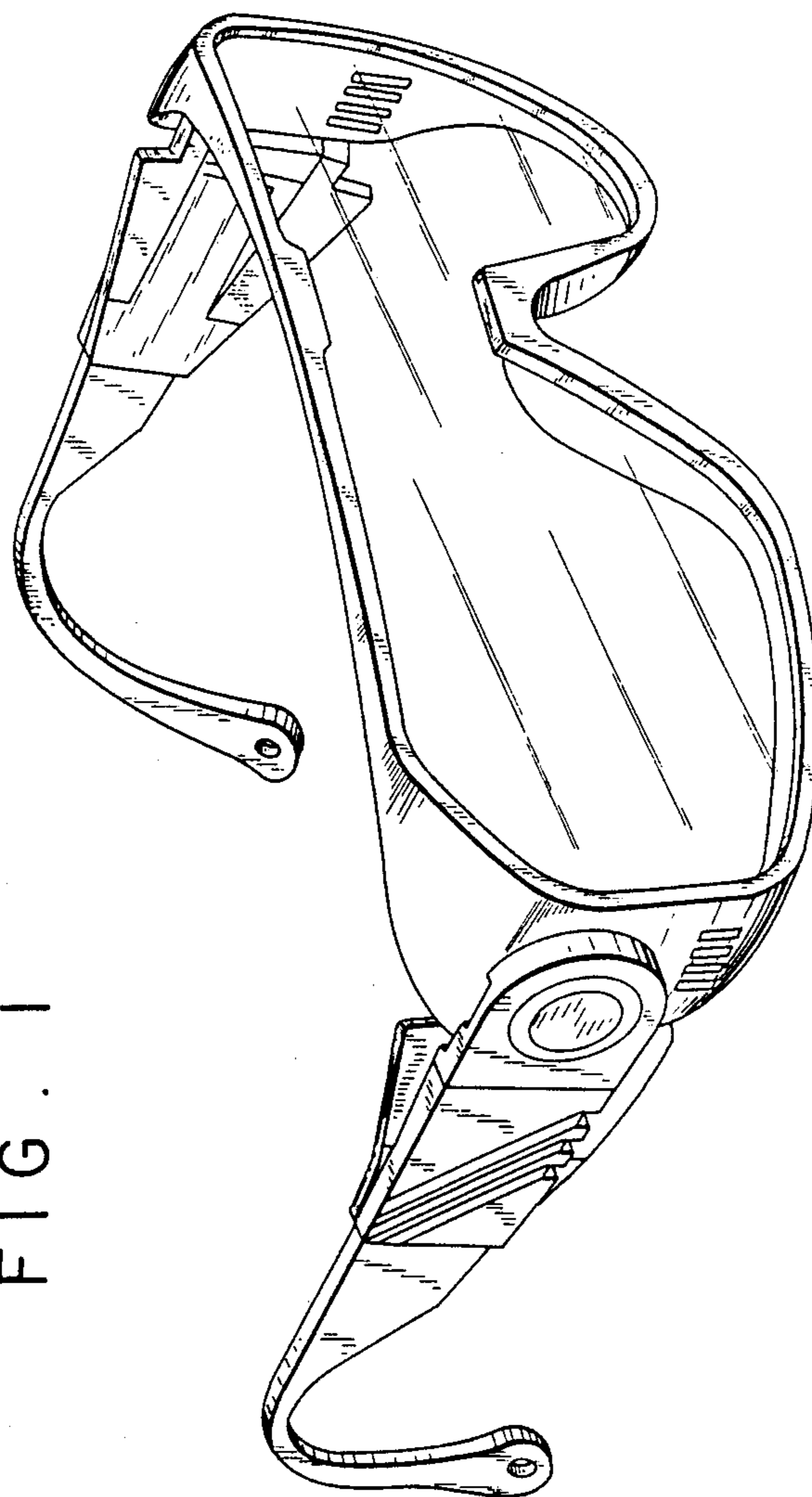


FIG. 1

FIG. 2

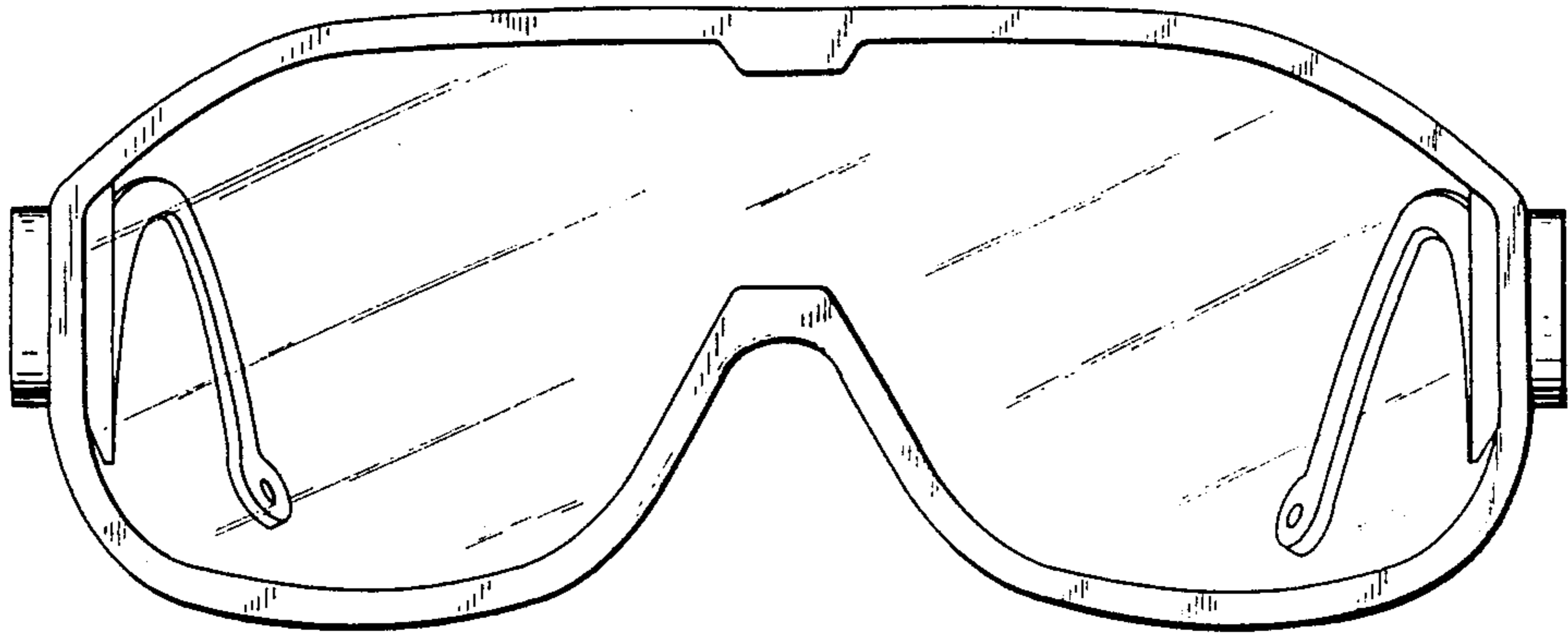


FIG. 3

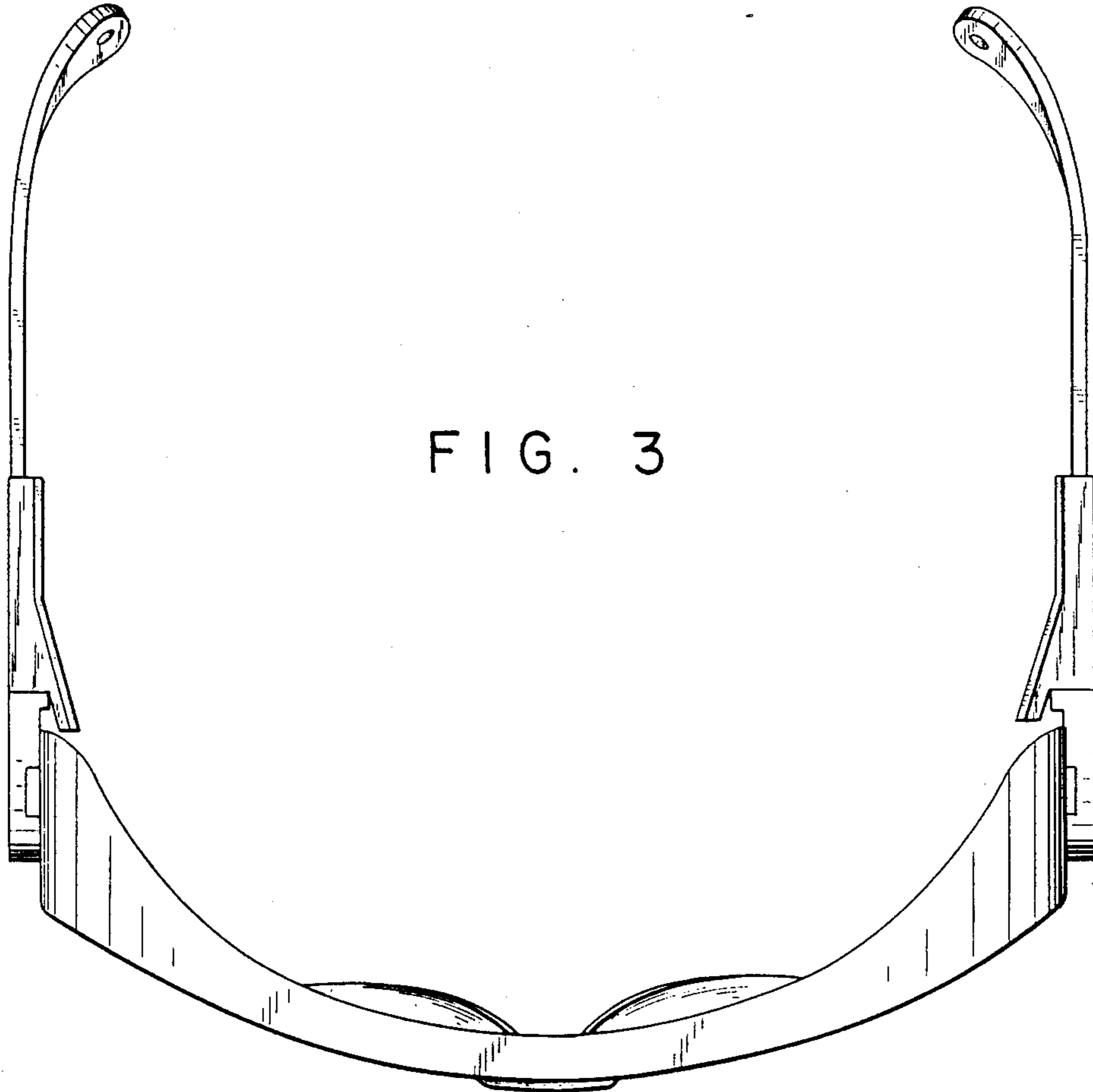


FIG. 4

