

[54] REFRIGERATED CABINET

- [75] Inventors: Robert A. Johnson, Spartanburg;
Phillip A. Smith, Pauline, both of
S.C.
- [73] Assignee: Specialty Equipment Companies, Inc.,
Berkeley, Ill.
- [**] Term: 14 Years
- [21] Appl. No.: 252,907
- [22] Filed: Sep. 30, 1988
- [52] U.S. Cl. D15/83
- [58] Field of Search D15/79, 81, 83, 88;
62/384, 440; 99/467; 134/25.3, 105; 312/116,
117, 138.1, 139.2, 236

[56] References Cited

U.S. PATENT DOCUMENTS

- 222,604 12/1879 Scott .
- 3,465,536 9/1969 Vogel et al. .
- 3,756,038 9/1973 MacMaster et al. .
- 3,759,059 9/1973 Kenyon .

OTHER PUBLICATIONS

Brochure for Beverage-Air Milk Cooler, SM-ST Series, Double Doors, Feb. 1988.
 Brochure for Colorpoint Open Front Milk Case Dispenser, Model CPM-FD-59, date unknown but prior to filing date of the caption application.

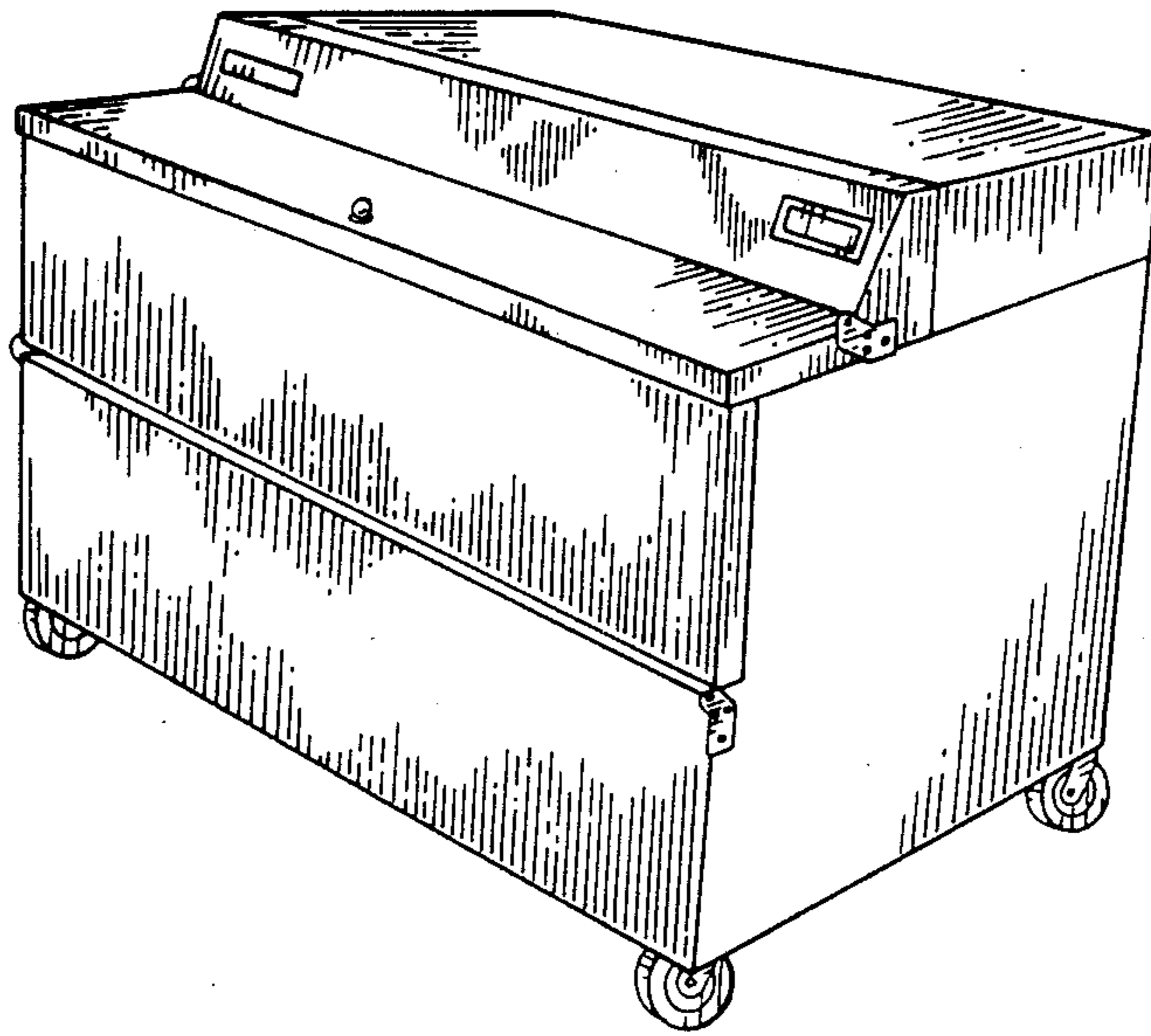
Primary Examiner—B. J. Bullock
 Assistant Examiner—Sandra Morris
 Attorney, Agent, or Firm—Dority & Manning

[57] CLAIM

The ornamental design for a refrigerated cabinet, as shown and described.

DESCRIPTION

FIG. 1 is a top plan view of a refrigerated cabinet, showing our new design, with the bottom unornamented;
 FIG. 2 is a perspective view thereof;
 FIG. 3 is a front elevational view thereof;
 FIG. 4 is a right side elevational view thereof, the left side being a mirror image thereof.



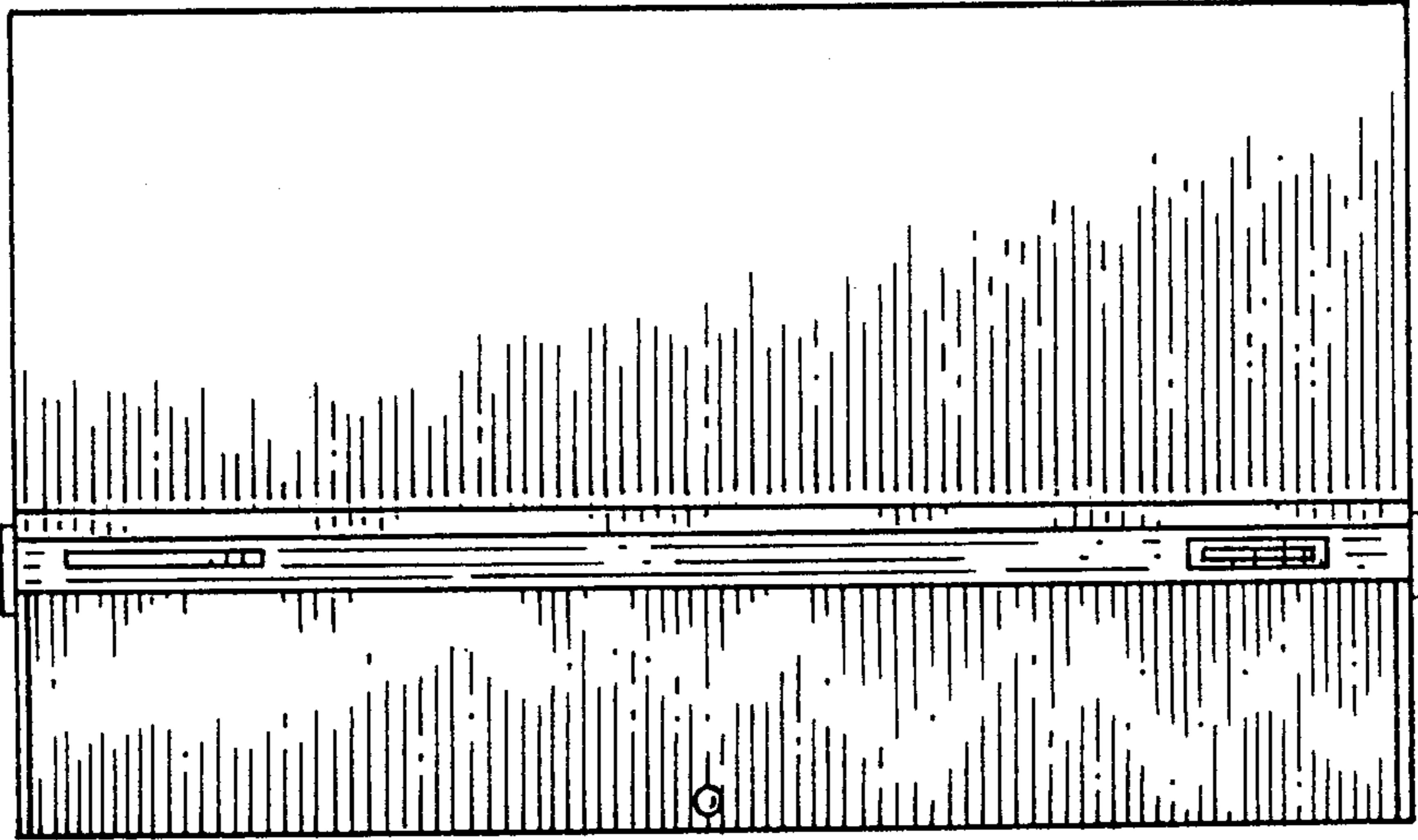


FIG. 1

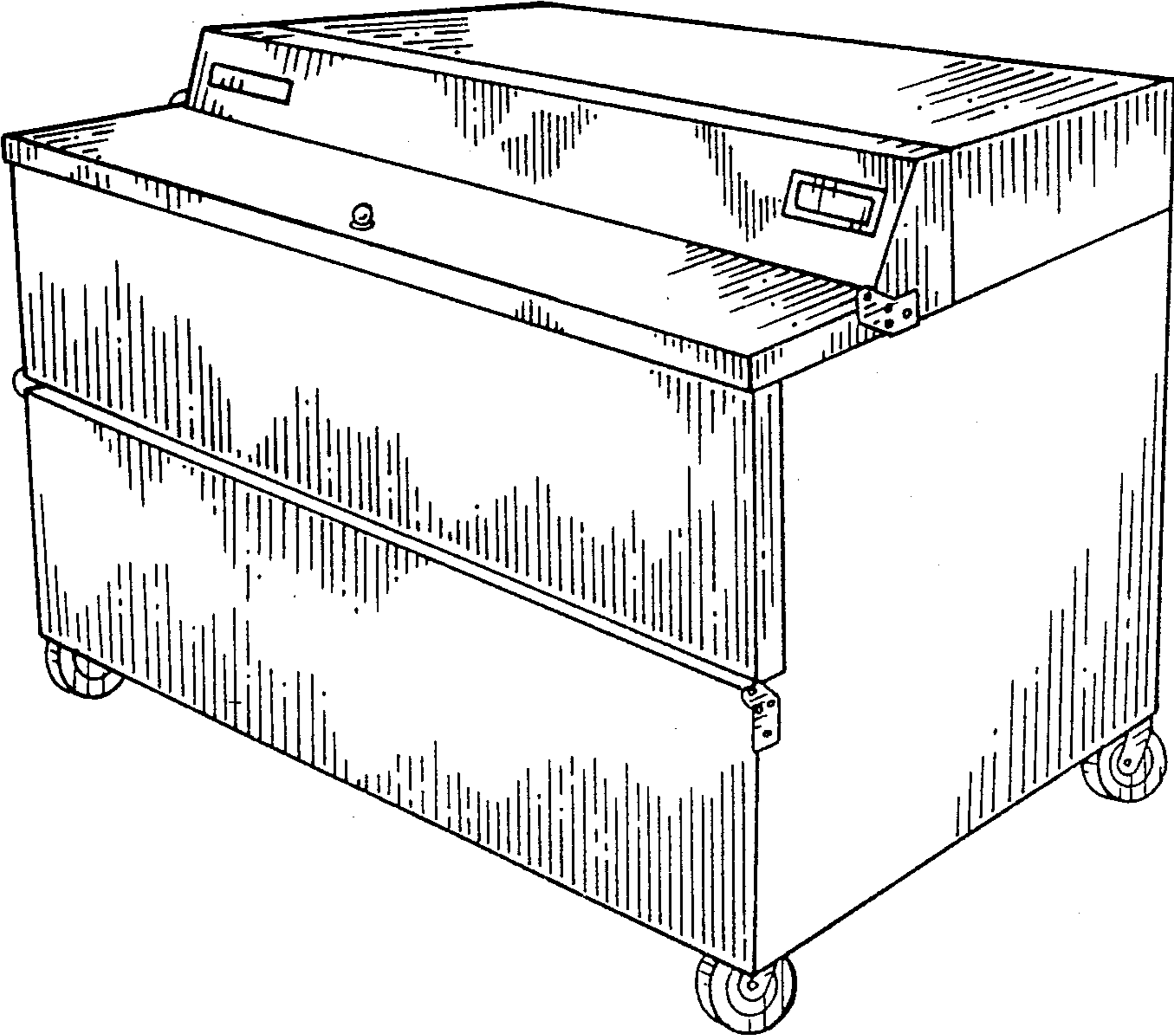


FIG. 2

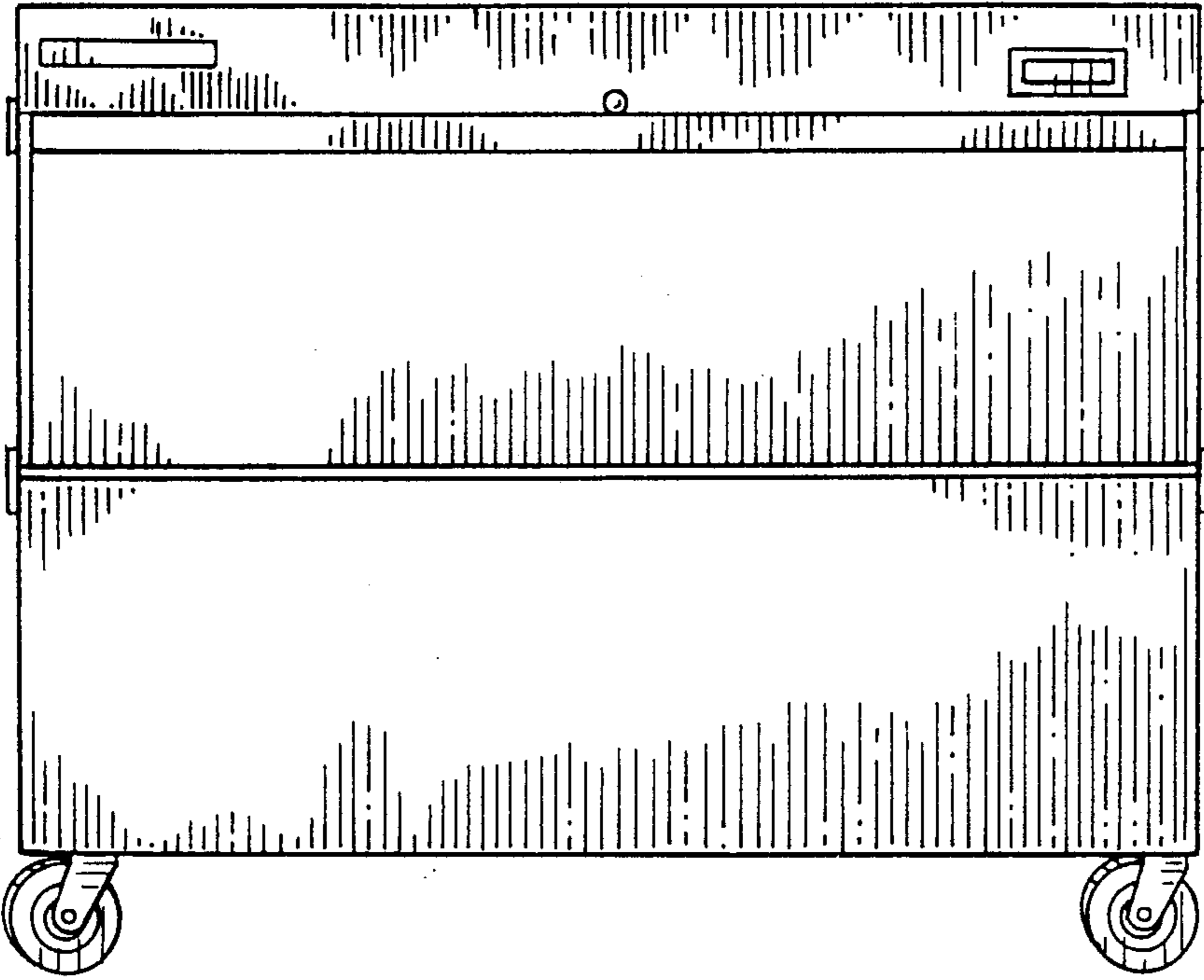


FIG. 3

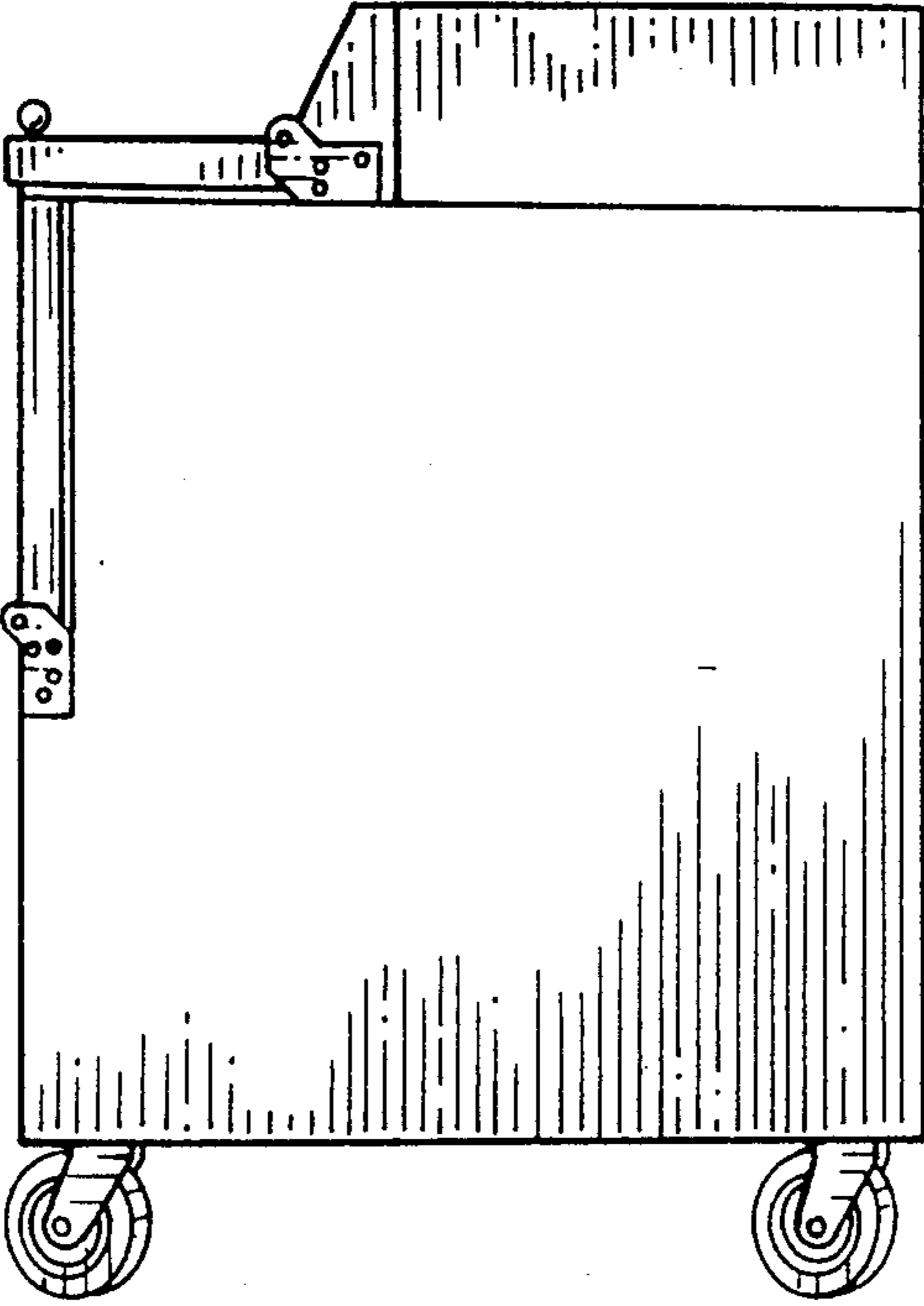


FIG. 4