

[54] DRIVING RAM ADAPTER BLOCK

[76] Inventor: Gerald G. Conti, 62 Henshaw Ave., Springfield, N.J. 07081

[**] Term: 14 Years

[21] Appl. No.: 198,911

[22] Filed: May 25, 1988

[52] U.S. Cl. D15/21

[58] Field of Search D15/10, 20, 21; 173/124, 125, 127, 128; 175/135; 404/133

[56] References Cited

U.S. PATENT DOCUMENTS

3,865,501	2/1975	Kniep	404/133
4,504,176	3/1985	Lindberg et al.	404/133
4,506,744	3/1985	Dawson	173/128
4,565,251	1/1986	Cischke	173/128

FOREIGN PATENT DOCUMENTS

0164510 8/1985 Japan 175/135

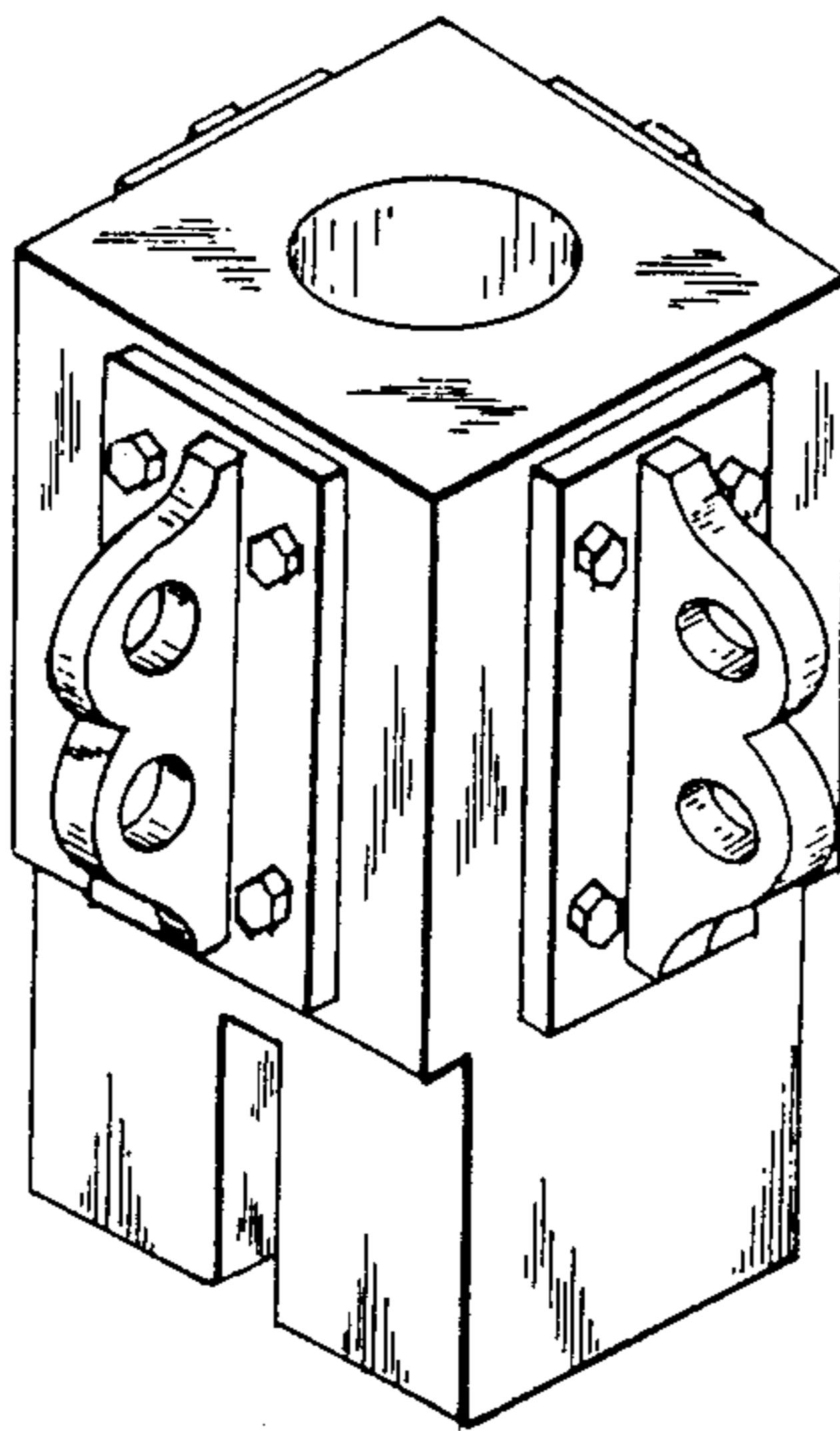
Primary Examiner—B. J. Bullock
Assistant Examiner—Sandra Morris
Attorney, Agent, or Firm—Mathews, Woodbridge & Collins

[57] CLAIM

The ornamental design for a driving ram adapter block, as shown and described.

DESCRIPTION

FIG. 1 is a perspective view of a driving ram adapter block, showing our new design;
FIG. 2 is a front elevational view thereof, the driving ram and cables shown in broken lines are for illustrative purposes only and form no part of the claimed design;
FIG. 3 is a top plan view thereof;
FIG. 4 is a front elevational view thereof;
FIG. 5 is a partial fragmentary side elevational view thereof, the opposite side being substantially identical;
FIG. 6 is a bottom plan view thereof.



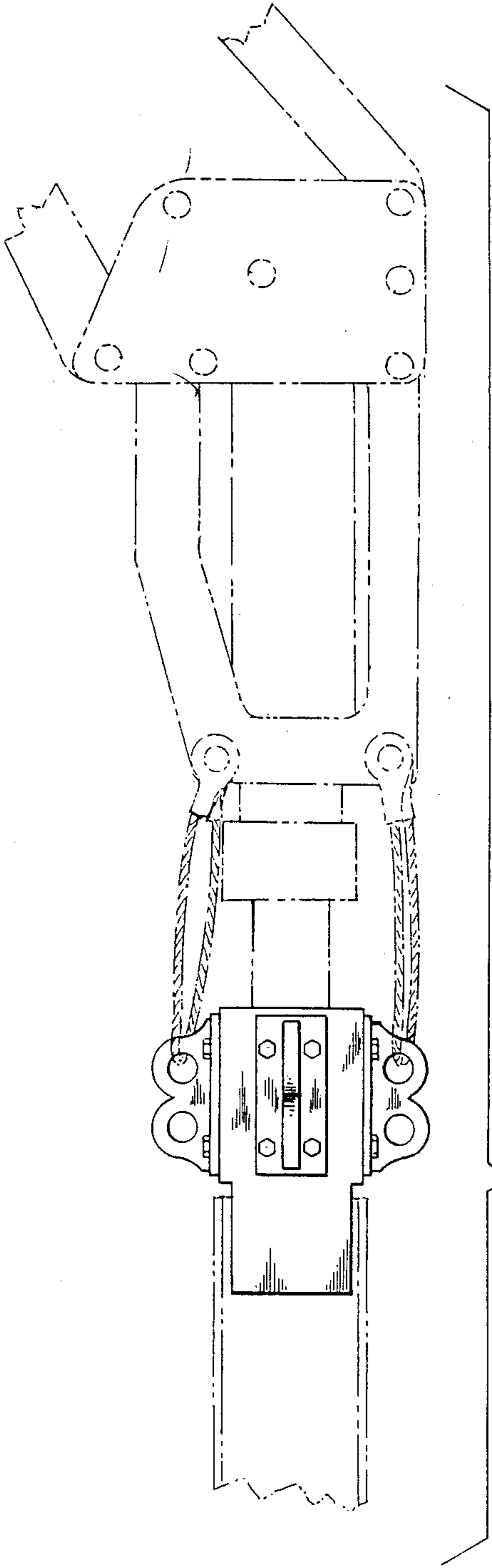


FIG. 2

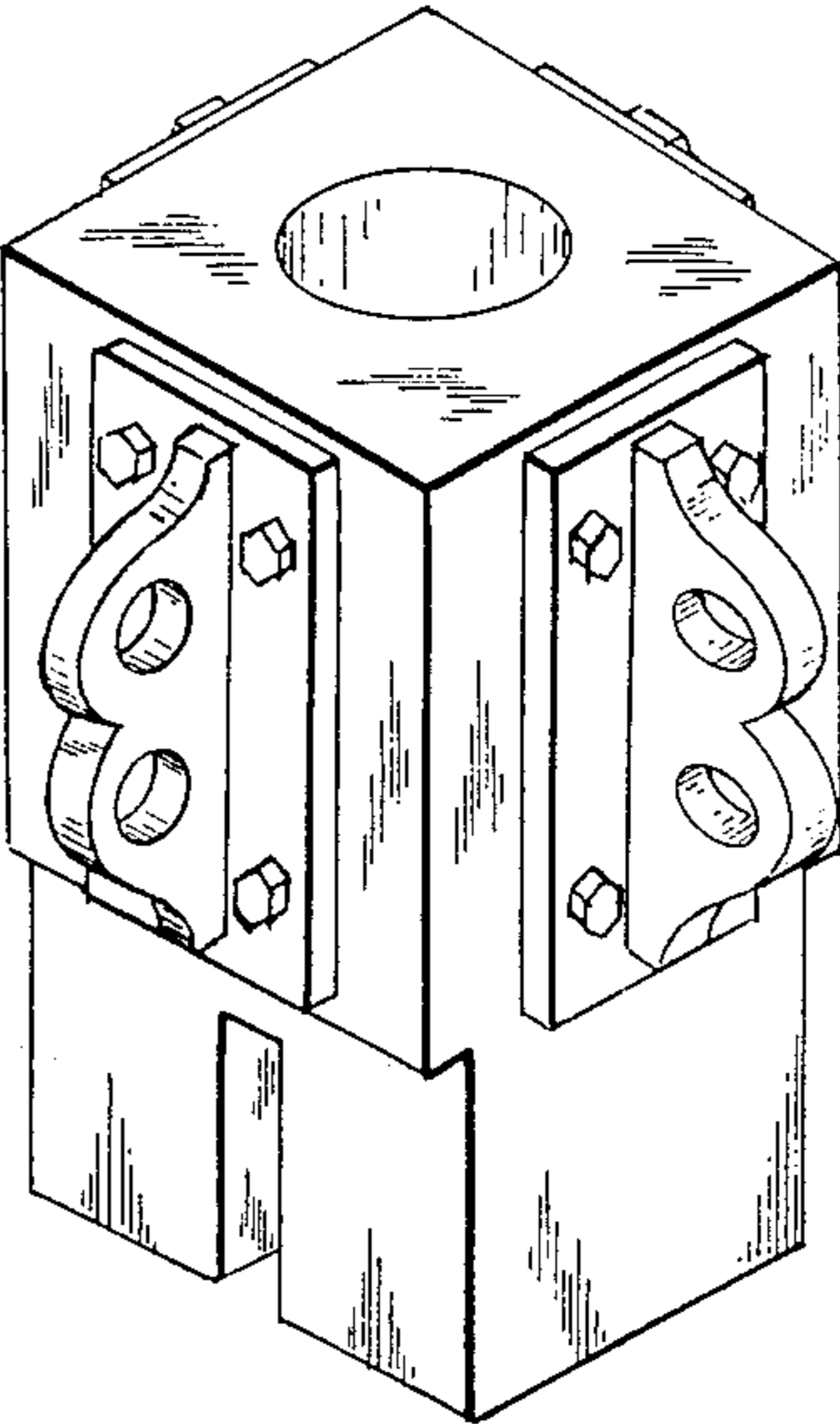


FIG. 1

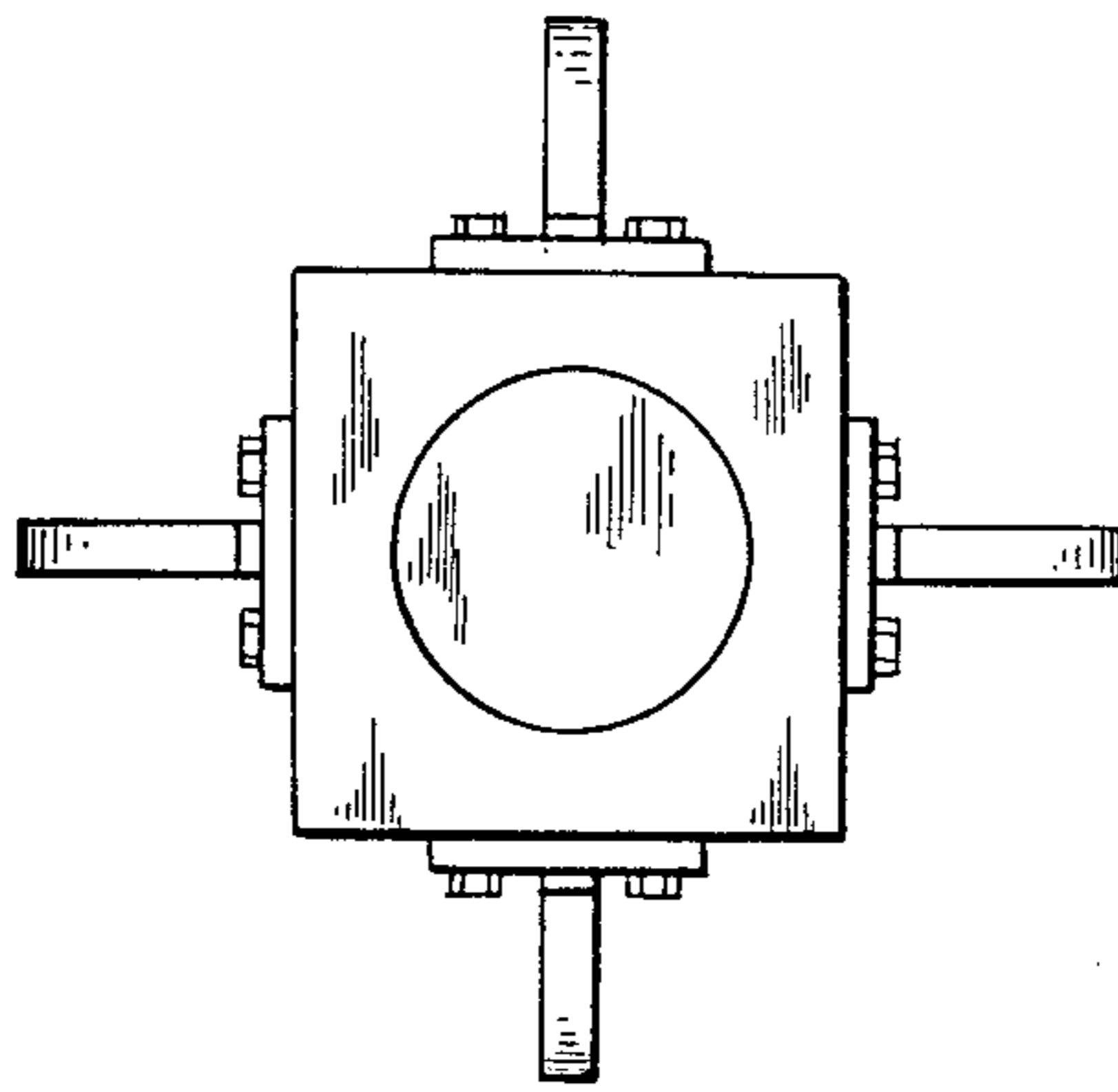


FIG. 3

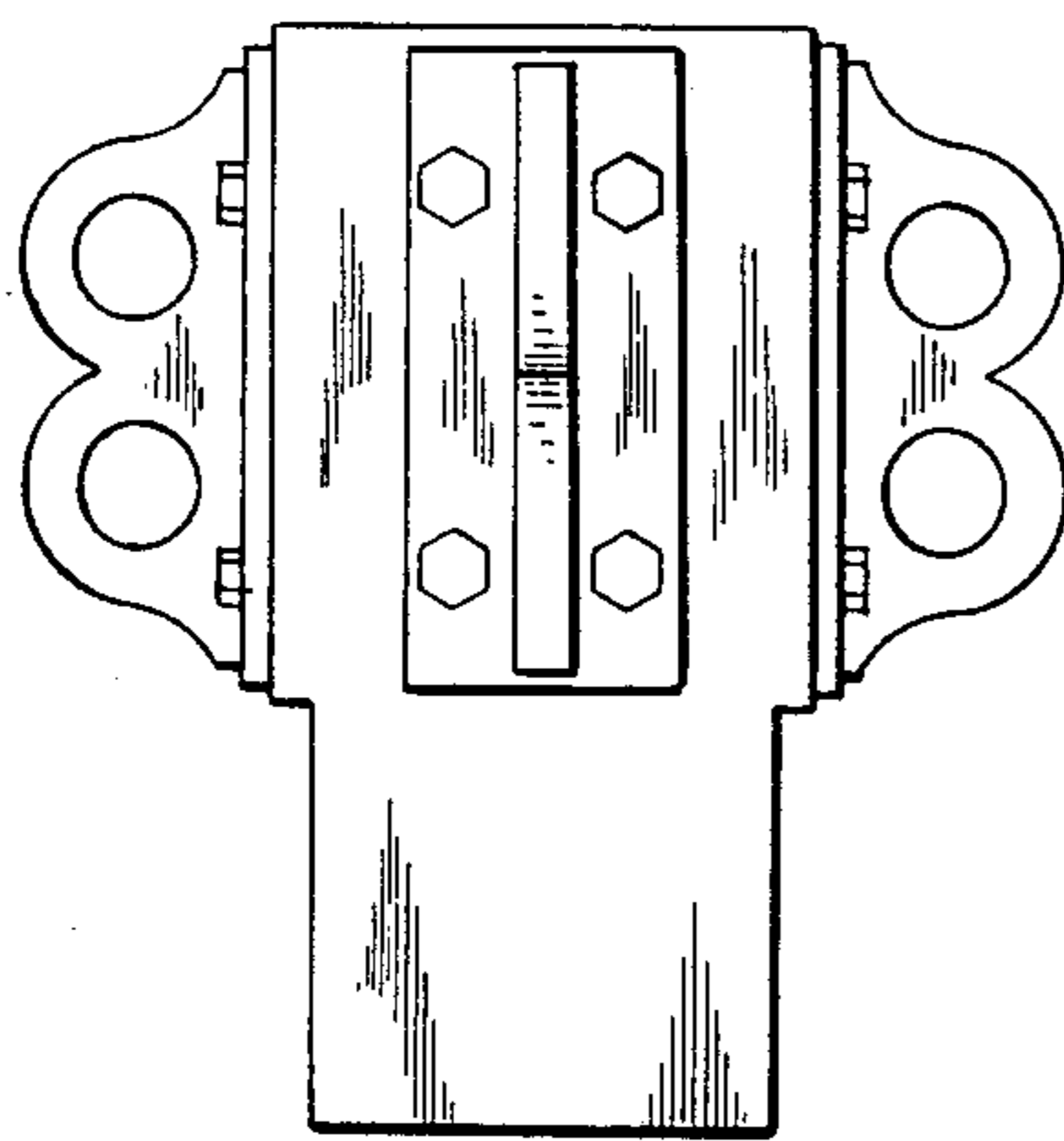


FIG. 4

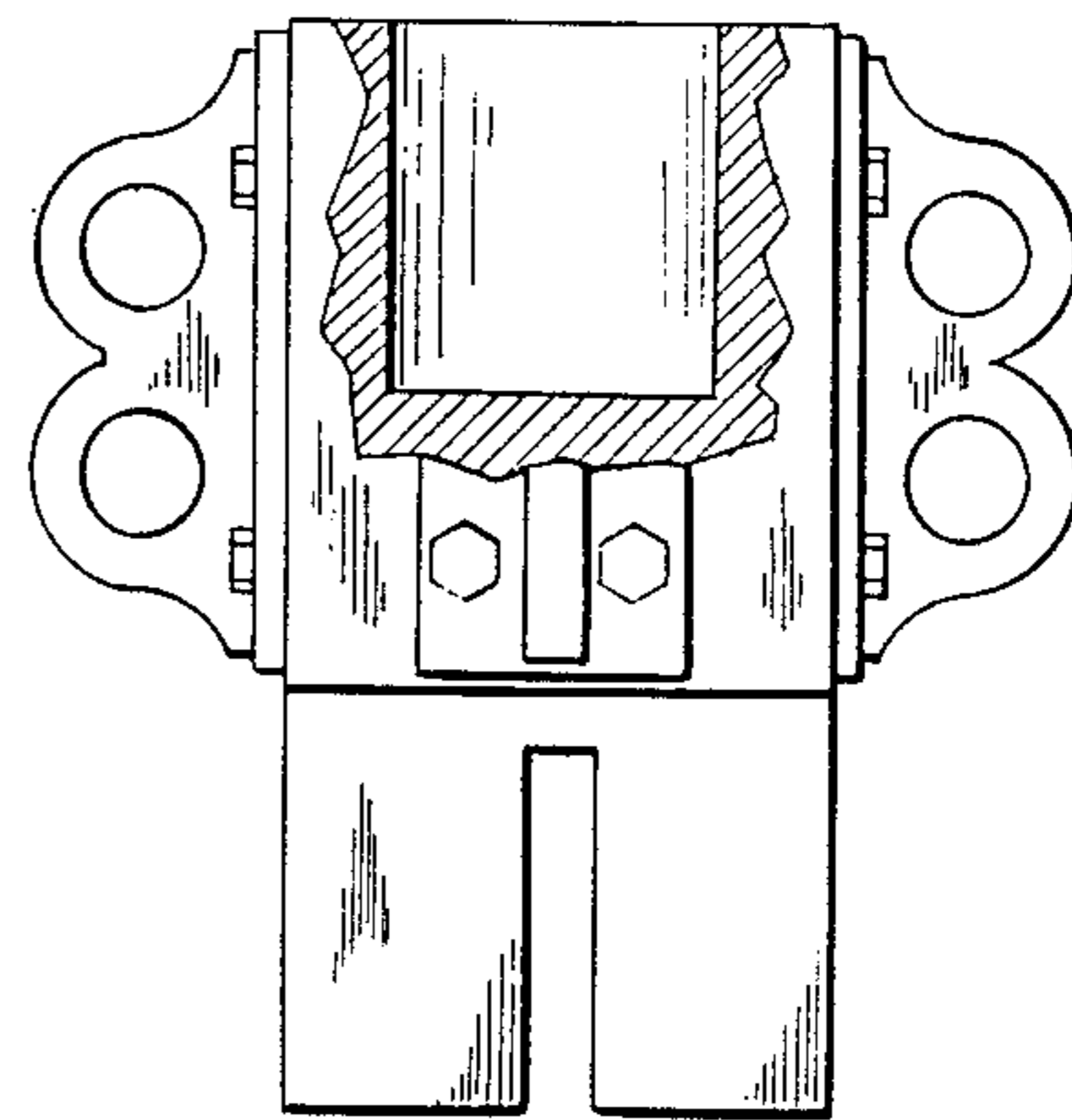


FIG. 5

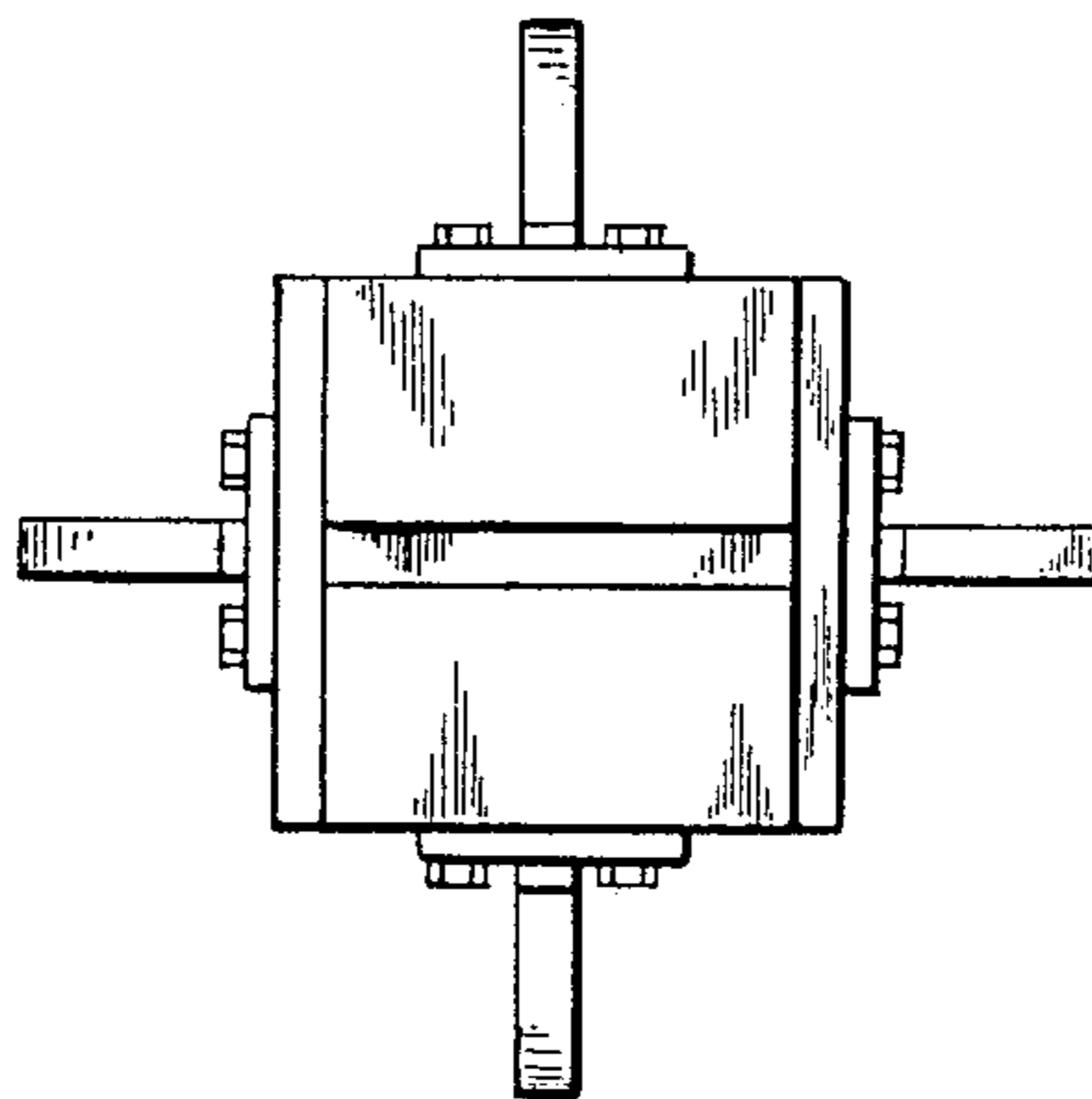


FIG. 6

UNITED STATES PATENT AND TRADEMARK OFFICE
CERTIFICATE OF CORRECTION

PATENT NO. : Des. 313,999
DATED : January 22, 1991
INVENTOR(S) : Gerald G. Conti and Kurt Conti

It is certified that error appears in the above-identified patent and that said Letters Patent is hereby corrected as shown below:

On the title page, item [19] "Conti" should read --Conti et al--; and item [76] Inventors: should read --Gerald G. Conti, 62 Henshaw Ave., Springfield, N.J. 07081 and Kurt Conti, 160 Oakwood Dr., Murray Hill, N.J. 07974--.

**Signed and Sealed this
Thirtieth Day of June, 1992**

Attest:

DOUGLAS B. COMER

Attesting Officer

Acting Commissioner of Patents and Trademarks