

[54] FACSIMILE TRANSCEIVER

[75] Inventors: Shin-ichi Hiroki, Tokyo; Kunio Hara, Chiba, both of Japan

[73] Assignee: Kabushiki Kaisha Toshiba, Kawasaki, Japan

[**] Term: 14 Years

[21] Appl. No.: 375,852

[22] Filed: Jul. 6, 1989

[30] Foreign Application Priority Data

Jan. 6, 1989 [JP] Japan 39/89

[52] U.S. Cl. D14/118

[58] Field of Search D14/118, 299; D18/36, D18/37; 358/400, 401

[56] References Cited

U.S. PATENT DOCUMENTS

- D. 300,136 3/1989 Kando et al. D14/118
- D. 304,183 10/1989 Hara et al. D14/118
- D. 304,187 10/1989 Komatsu D14/118
- D. 305,425 1/1990 Hara et al. D14/118
- D. 310,215 8/1990 Tsukada et al. D14/118

OTHER PUBLICATIONS

Dealerscope Manufacturing; Jul. 1988; p. 18; Brother Model FAX-60.

HFD; 01/18/88; p. 117; top right—Toshiba Model 3300.

Office Products Dealer; Mar. 1988; p. 87; left center—Toshiba Model TF-111.

HFD: 03/21/88; p. 72; right—Canon Faxphone 25.

Primary Examiner—Theodore M. Shooman
Attorney, Agent, or Firm—Oblon, Spivak, McClelland, Maier & Neustadt

[57] CLAIM

The ornamental design for a facsimile transceiver, as shown and described.

DESCRIPTION

FIG. 1 is a top, front and left side perspective view of a facsimile transceiver showing our new design, with a tape holder in an open position and a handset shown inverted;

FIG. 2 is a front elevational view thereof;

FIG. 3 is a top plan view thereof;

FIG. 4 is a right side elevational view thereof;

FIG. 5 is a left side elevational view thereof;

FIG. 6 is a rear elevational view thereof; and

FIG. 7 is a bottom plan view thereof.

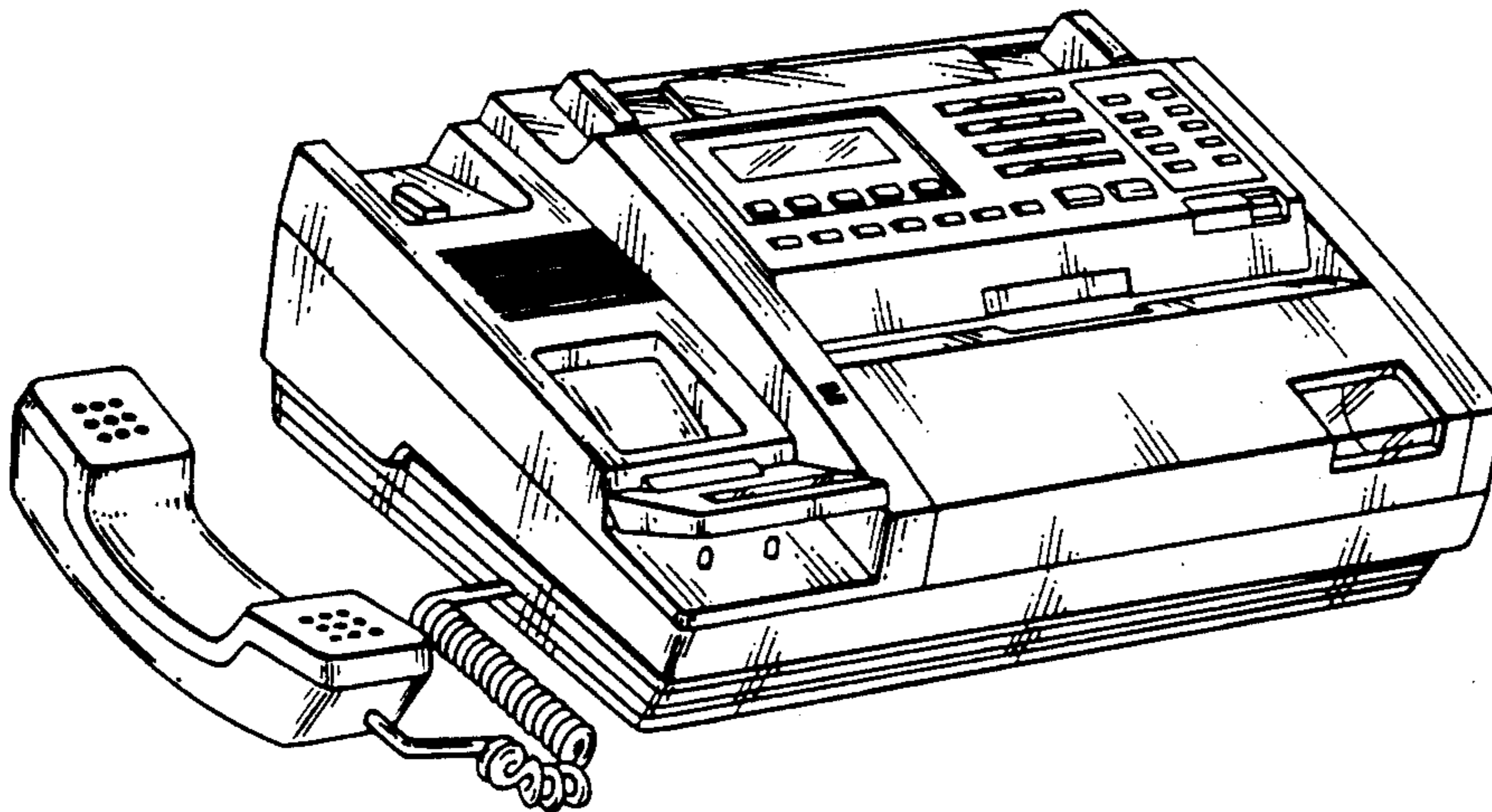


FIG. 1

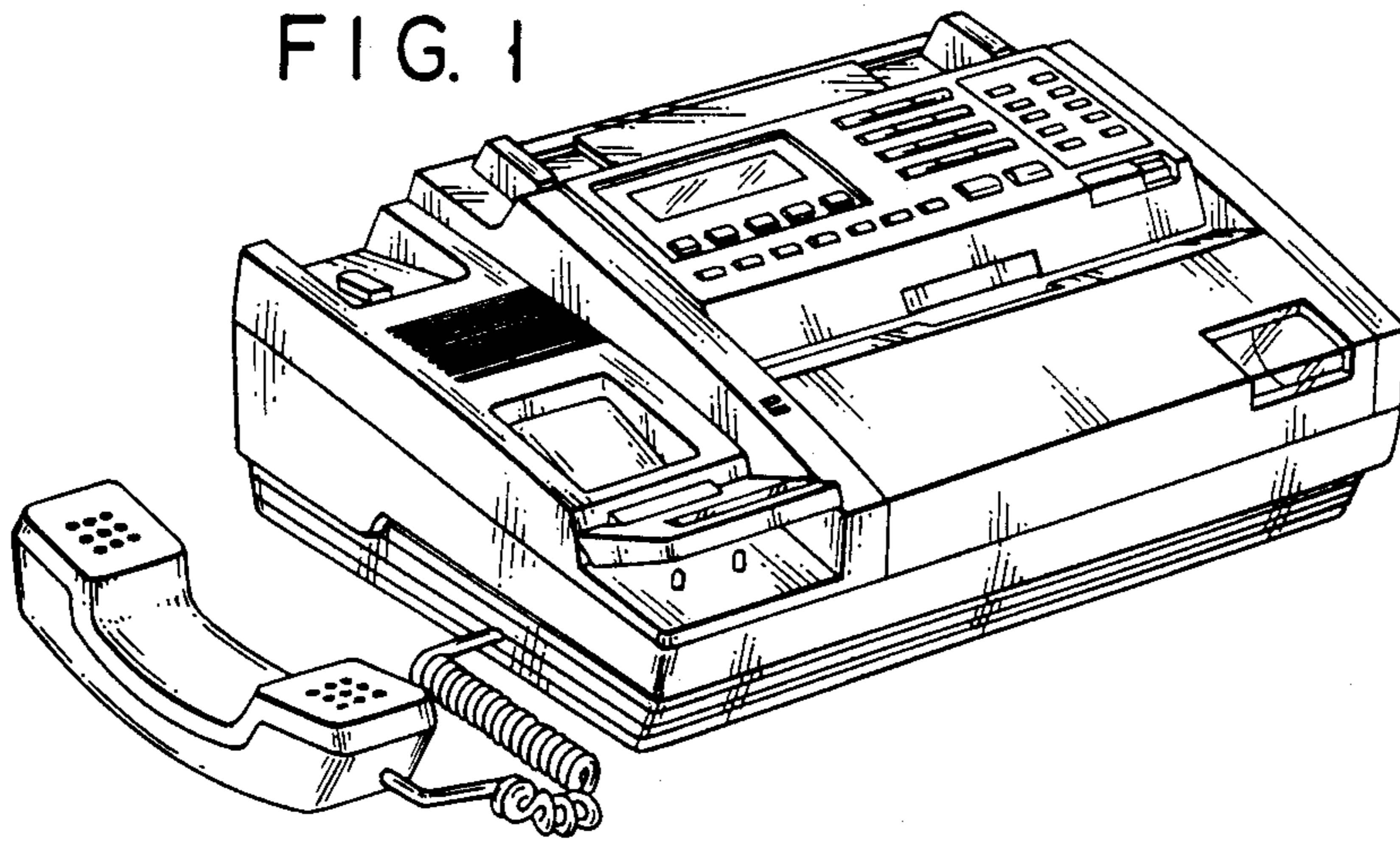


FIG. 2

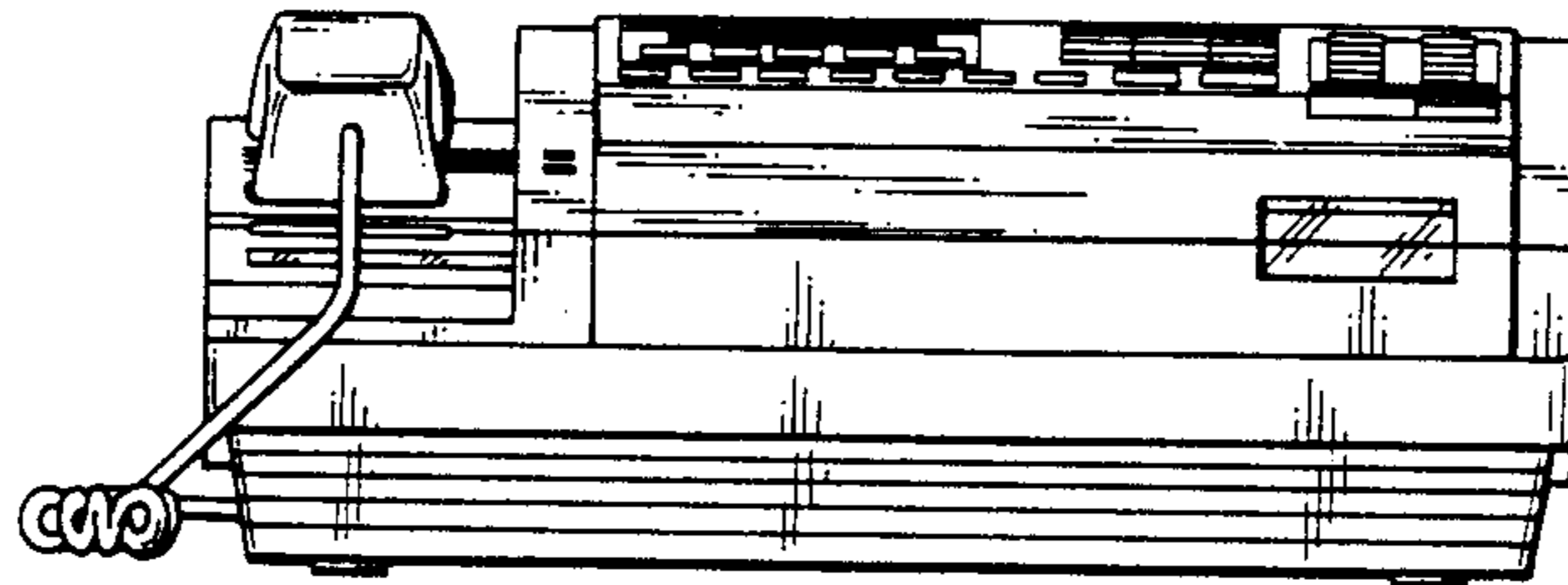


FIG. 3

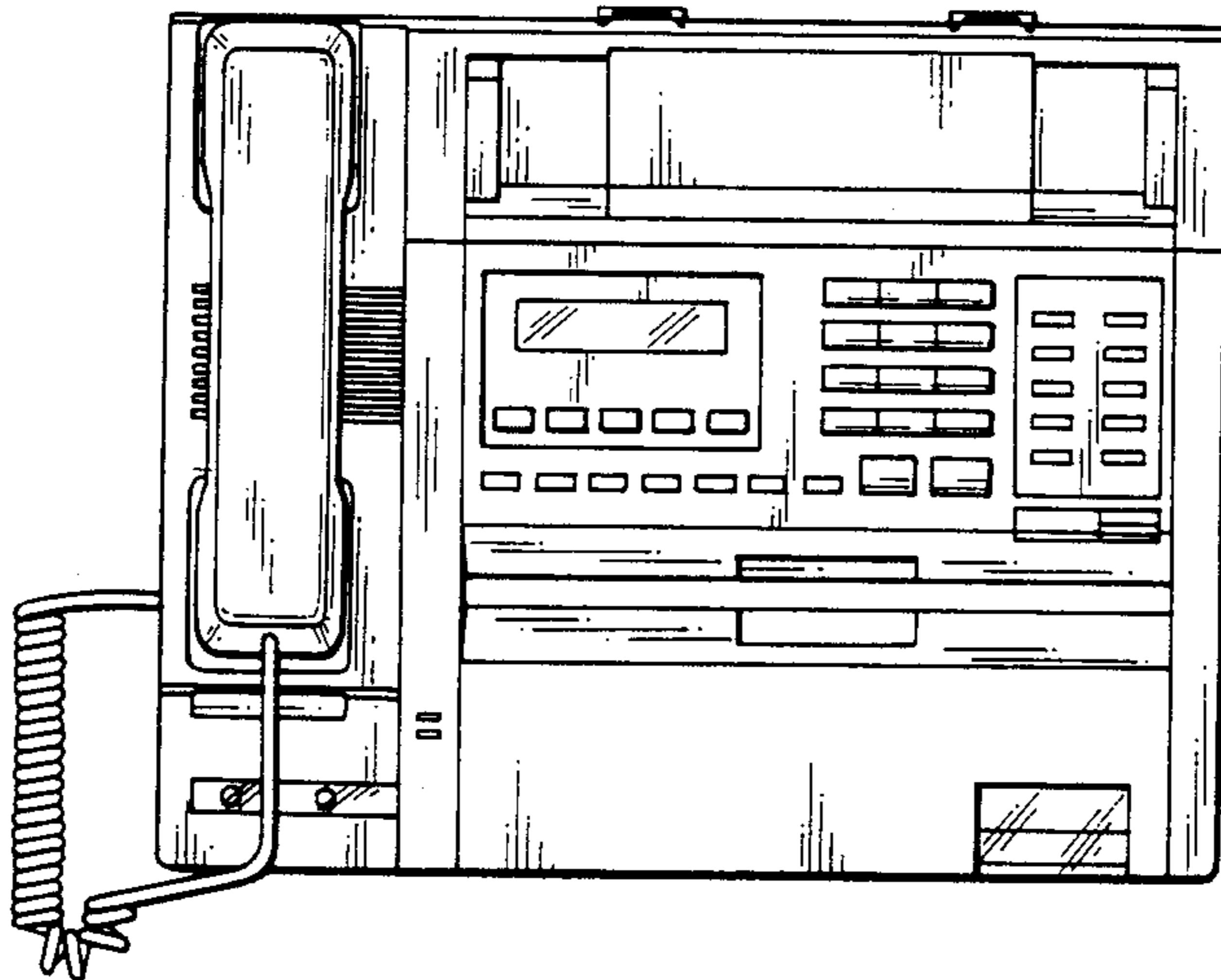


FIG. 4

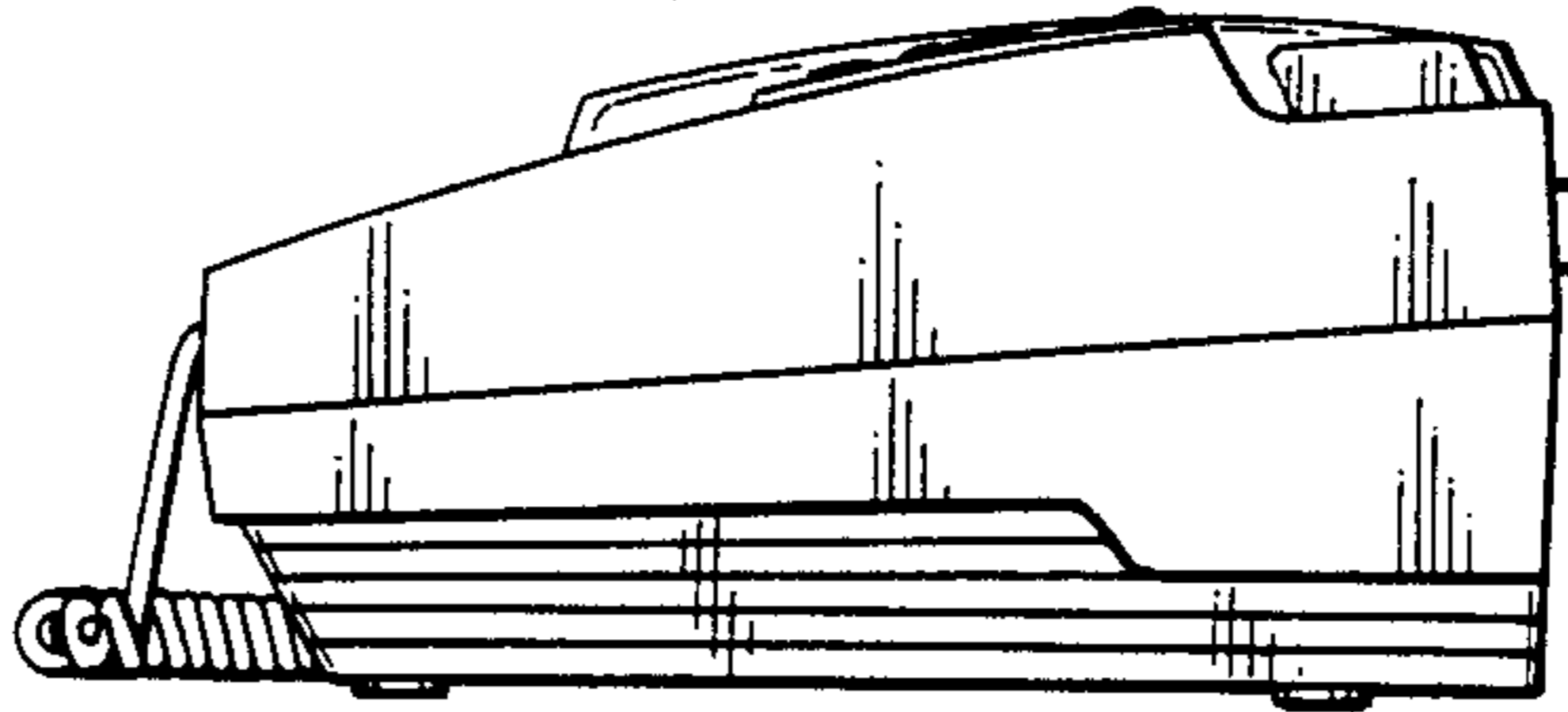


FIG. 5

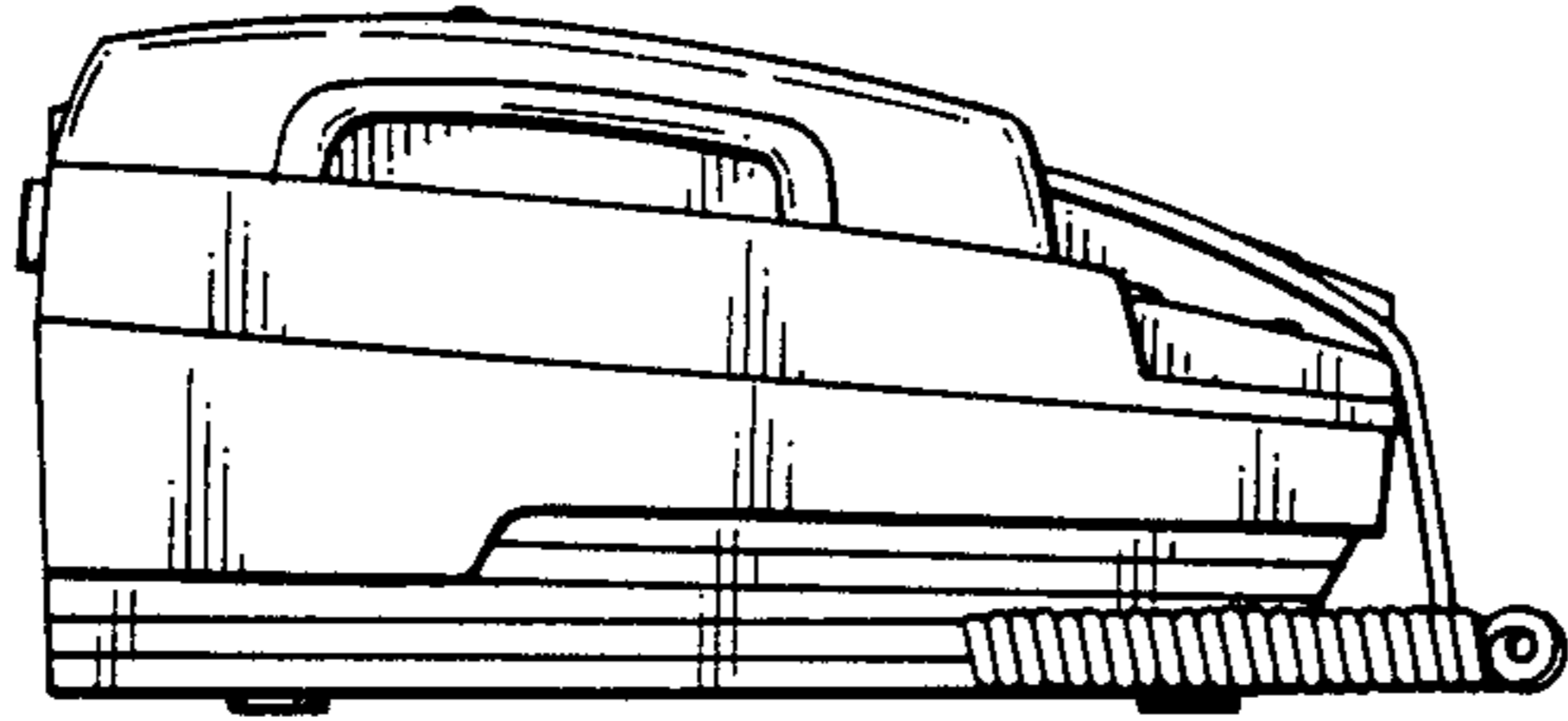


FIG. 6

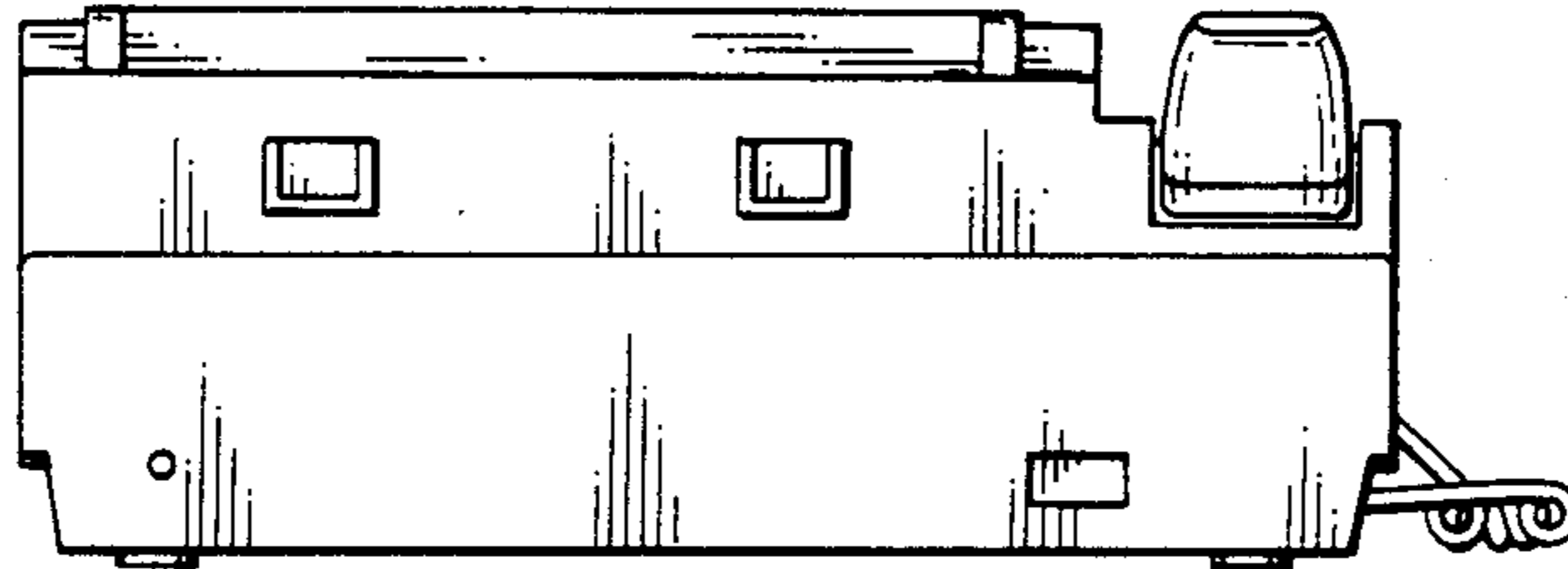


FIG. 7

