

[54] FACSIMILE TRANSMITTER/RECEIVER

[75] Inventor: Hiroaki Watanabe, Kawasaki, Japan

[73] Assignee: Ricoh Company, Ltd., Tokyo, Japan

[**] Term: 14 Years

[21] Appl. No.: 373,771

[22] Filed: Jun. 28, 1989

[30] Foreign Application Priority Data

Dec. 28, 1988 [JP] Japan 51142/88

[52] U.S. Cl. D14/118

[58] Field of Search D14/118, 299; D18/36, D18/37; 358/400, 401

[56] References Cited

U.S. PATENT DOCUMENTS

- D. 280,508 9/1985 Nasui et al. D14/118
- D. 290,959 7/1987 Ooie D14/118
- D. 295,750 5/1988 Imai D14/118
- D. 301,035 5/1989 Ooie D14/118

D. 304,184 10/1989 Watanabe D14/118

OTHER PUBLICATIONS

The Office; Nov. 1986; p. 163; top right—NEC Model PF-II.

HFD; 08/03/87; p. 74; top—CBM America Corp. Group III—Compatible Fax.

The Office; May 1988; p. 21; Fujitsu dex ten Model.

Primary Examiner—Theodore M. Shooman

Attorney, Agent, or Firm—Oblon, Spivak, McClelland, Maier & Neustadt

[57] CLAIM

The ornamental design for a facsimile transmitter/receiver, as shown.

DESCRIPTION

FIG. 1 is a top, front and right side perspective view of a facsimile transmitter/receiver showing my new design; and

FIG. 2 is a bottom, rear and left side perspective view thereof.

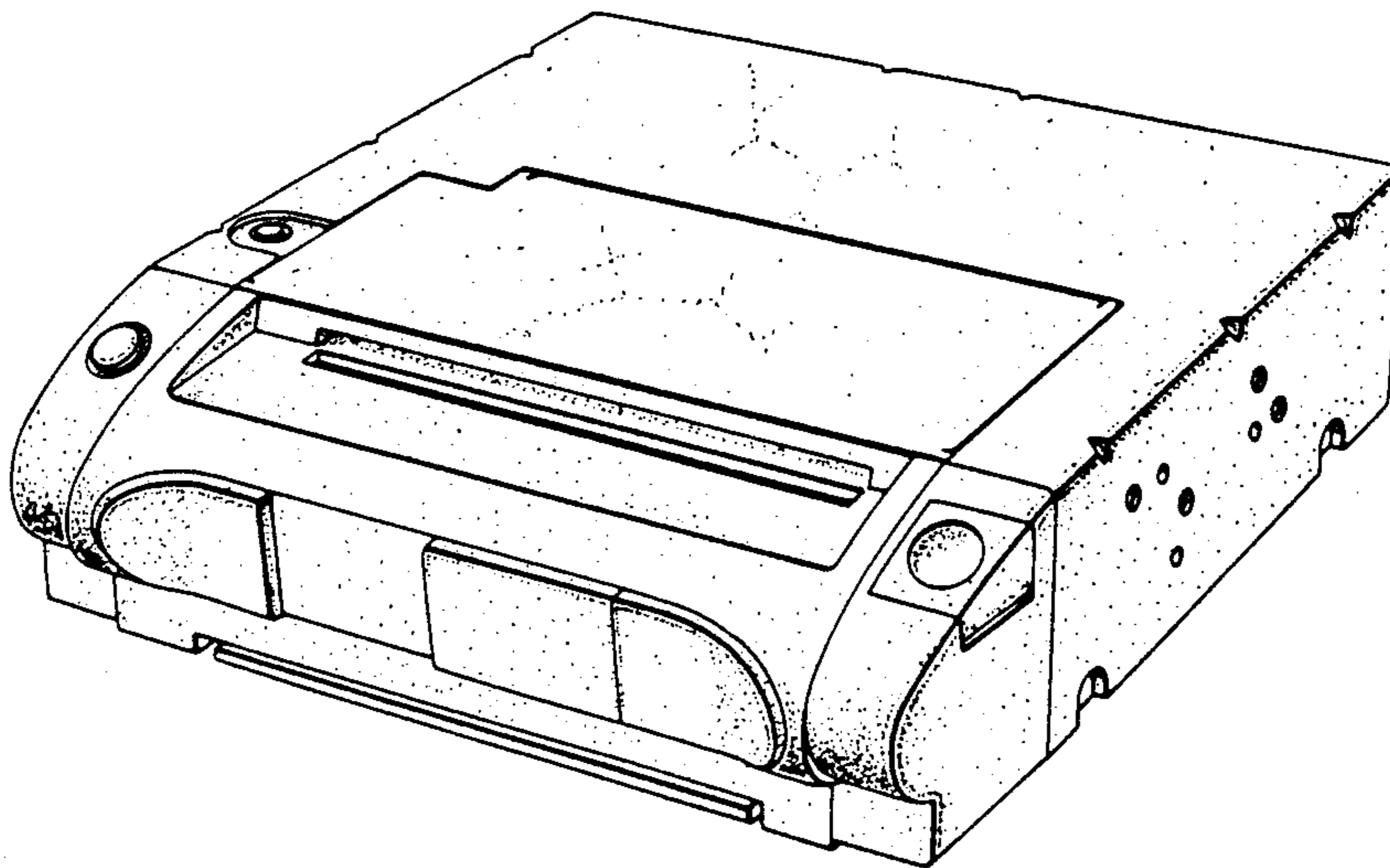


FIG. 1

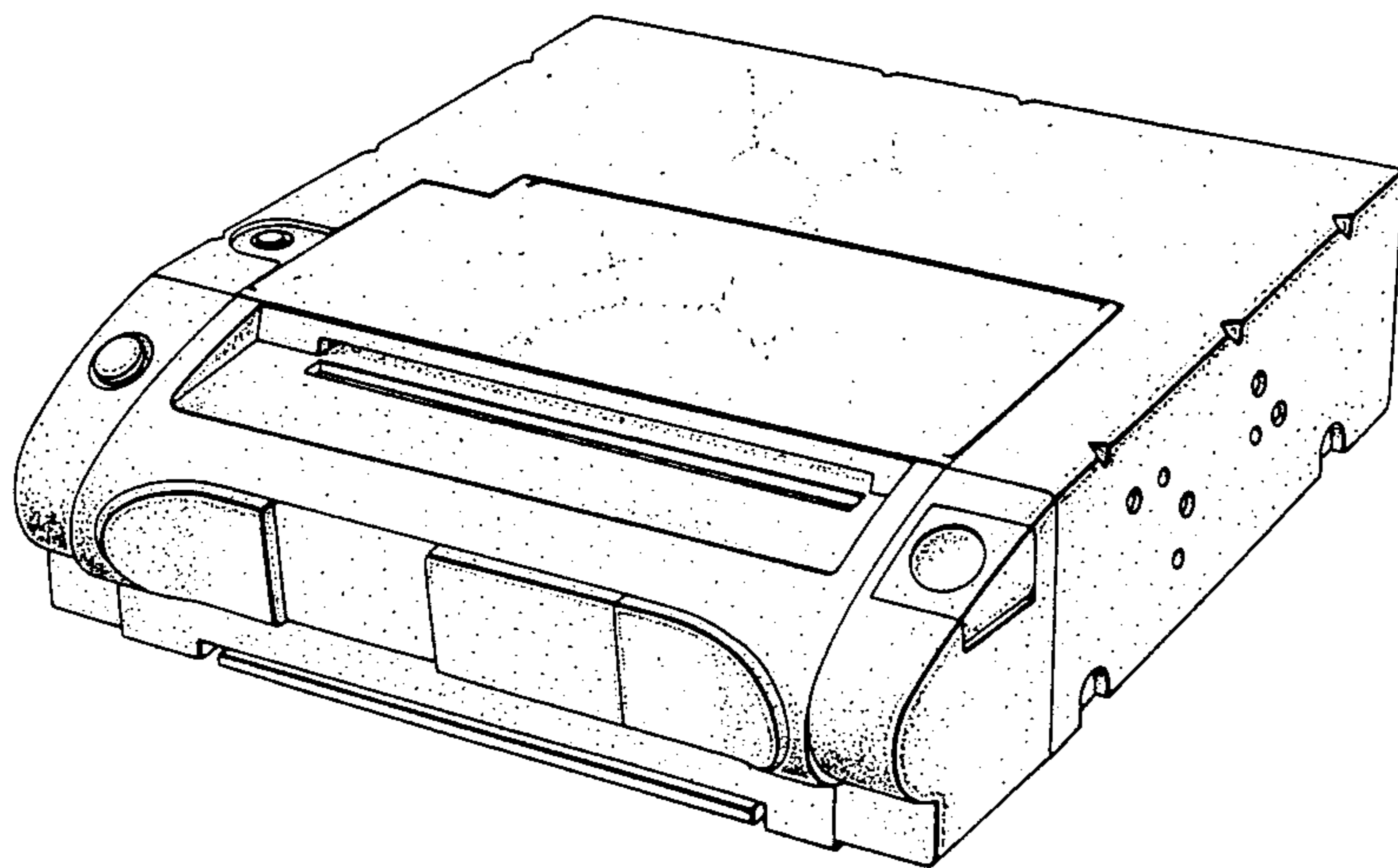


FIG. 2

