

[54] FACSIMILE TRANSMITTER/RECEIVER

[75] Inventor: Hiroaki Watanabe, Kawasaki, Japan

[73] Assignee: Ricoh Company, Ltd., Tokyo, Japan

[\*\*] Term: 14 Years

[21] Appl. No.: 314,833

[22] Filed: Feb. 24, 1989

[30] Foreign Application Priority Data

Aug. 26, 1988 [JP] Japan ..... 63-33892

[52] U.S. Cl. .... D14/118

[58] Field of Search ..... D14/118, 299; D18/36, D18/37; 358/400, 401

[56] References Cited

U.S. PATENT DOCUMENTS

- D. 299,494 1/1989 Tsuruoka ..... D14/118
- D. 301,879 6/1989 Ooie et al. .... D14/118
- D. 304,450 11/1989 Hosogai et al. .... D14/118
- D. 304,578 11/1989 Saegusa et al. .... D14/118
- D. 306,018 2/1990 Hara et al. .... D14/118

OTHER PUBLICATIONS

Modern Office Technology; Dec. 1986; p. 37; Toshiba Model TF-341. (Copy in Gr 290 Elec Box).

Office Products Dealer; Jun. 1987; p. 94; Center-Murata ImageMaster II. (Copy in Gr 290 Elec Box).

The Office; Nov. 1987; p. 42; Ricoh Facsimile. (Copy in Gr 290 Elec Box).

Primary Examiner—Theodore M. Shooman

Attorney, Agent, or Firm—Oblon, Spivak, McClelland, Maier & Neustadt

[57] CLAIM

The ornamental design for a facsimile transmitter/receiver, as shown.

DESCRIPTION

FIG. 1 is a top, front and left side perspective view of a facsimile transmitter/receiver showing my new design; and

FIG. 2 is a bottom, rear and right side perspective view thereof.

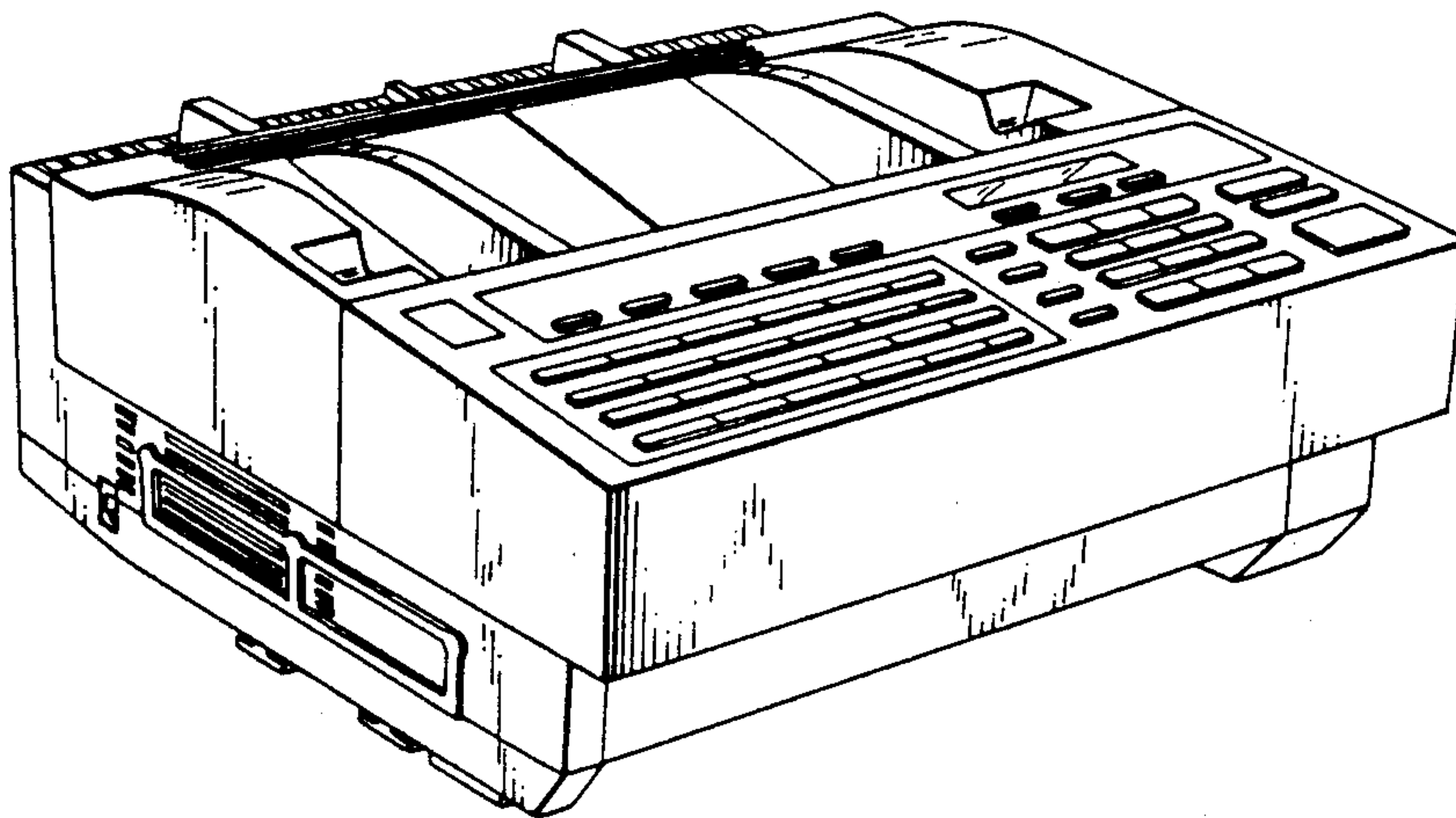


FIG. 1

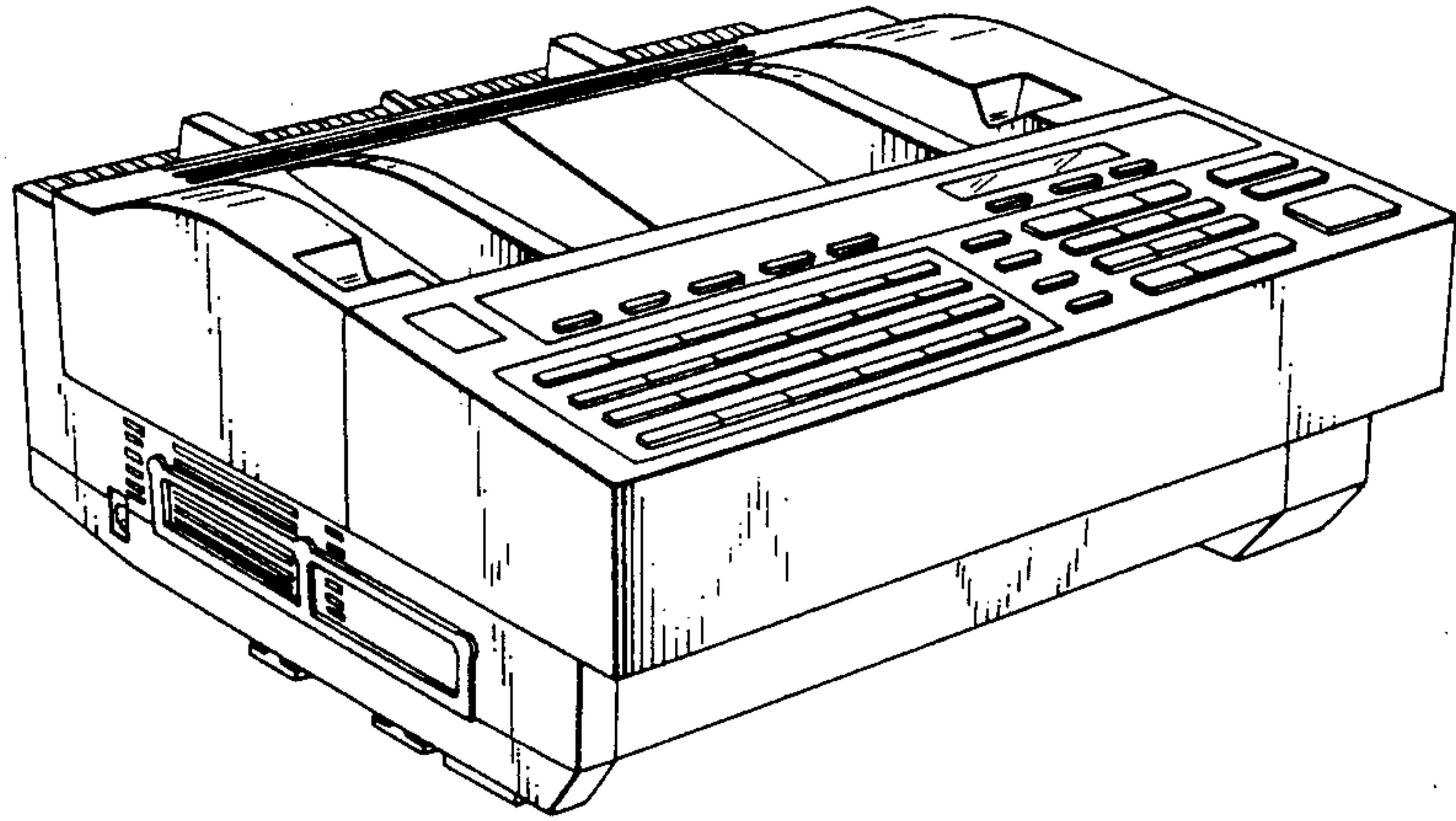


FIG. 2

