

[54] FRONT PANEL FOR A COMPUTER HOUSING

[75] Inventors: **Randall N. Eilert; Wilbur R. Ames, IV**, both of Lake Stevens, Wash.

[73] Assignee: **Hewlett-Packard Company**, Palo Alto, Calif.

[**] Term: **14 Years**

[21] Appl. No.: **344,946**

[22] Filed: **Apr. 28, 1989**

[52] U.S. Cl. **D14/115**

[58] Field of Search D14/100, 101, 106, 113, D14/114, 115, 124, 125; D18/1, 7, 11, 12; 340/700, 706, 711, 712; 358/249, 254; 364/706-710

[56] **References Cited**

U.S. PATENT DOCUMENTS

- D. 249,945 10/1978 Freijo D14/115
- D. 257,510 11/1980 Fow et al. D14/115

- D. 277,482 2/1985 Matsuda et al. D14/239
- D. 281,940 12/1985 Steventon et al. D14/124 X
- D. 289,875 5/1987 Satherley D14/115
- D. 300,930 5/1989 Kerezman et al. D14/115
- D. 302,428 7/1989 Klebba D14/115

Primary Examiner—Wallace R. Burke

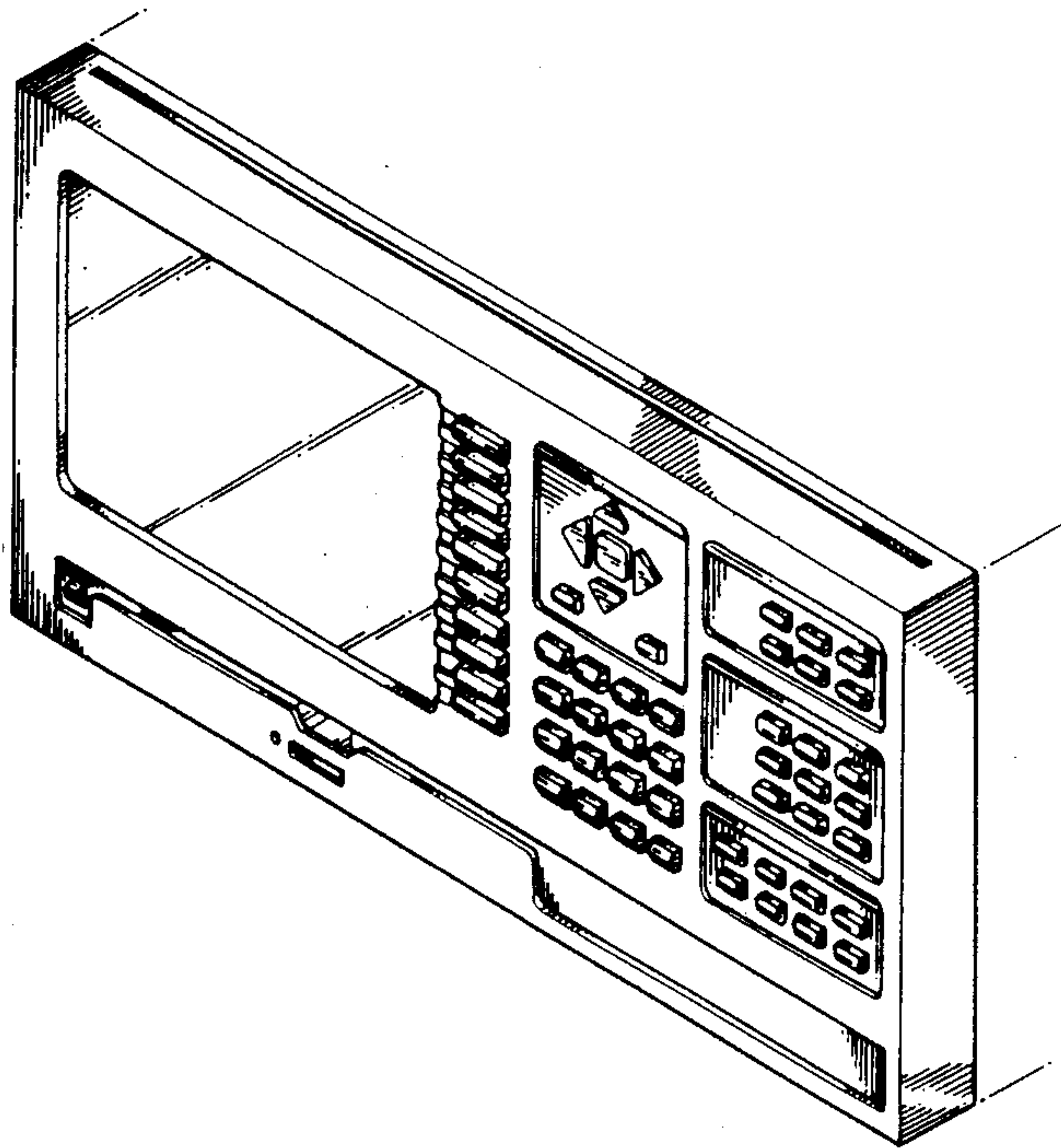
Assistant Examiner—Freda S. Nunn

[57] **CLAIM**

The ornamental design for a front panel for a computer housing, as shown and described.

DESCRIPTION

FIG. 1 is a top, front, right side perspective view of a front panel for a computer housing showing our new design, the housing is shown in broken lines for illustrative purposes only and forms part of the claimed design; FIG. 2 is a front elevational view thereof; FIG. 3 is a right side elevational view thereof, the left side elevational view being a mirror image; FIG. 4 is a rear elevational view thereof; FIG. 5 is a bottom plan view thereof.



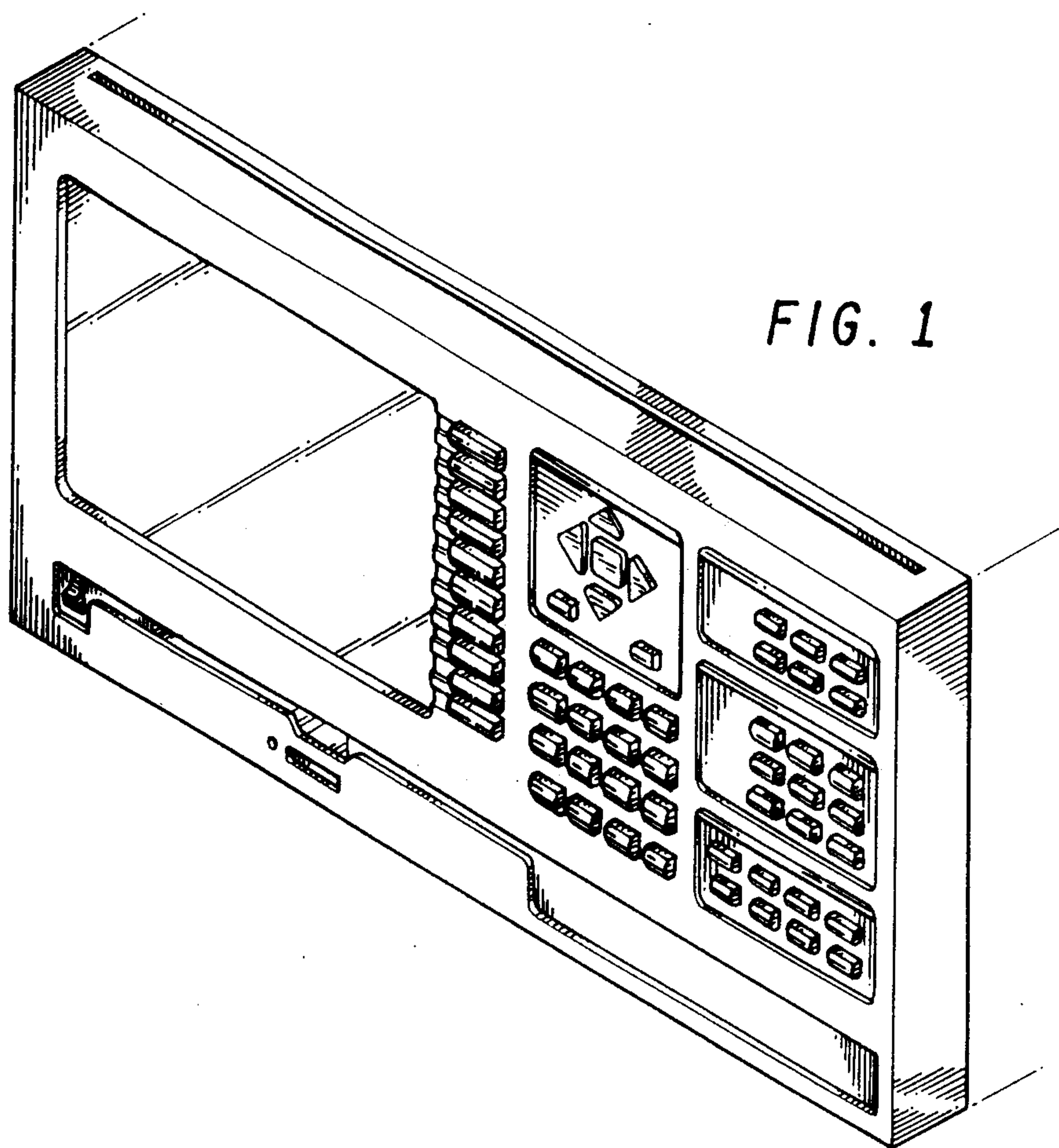
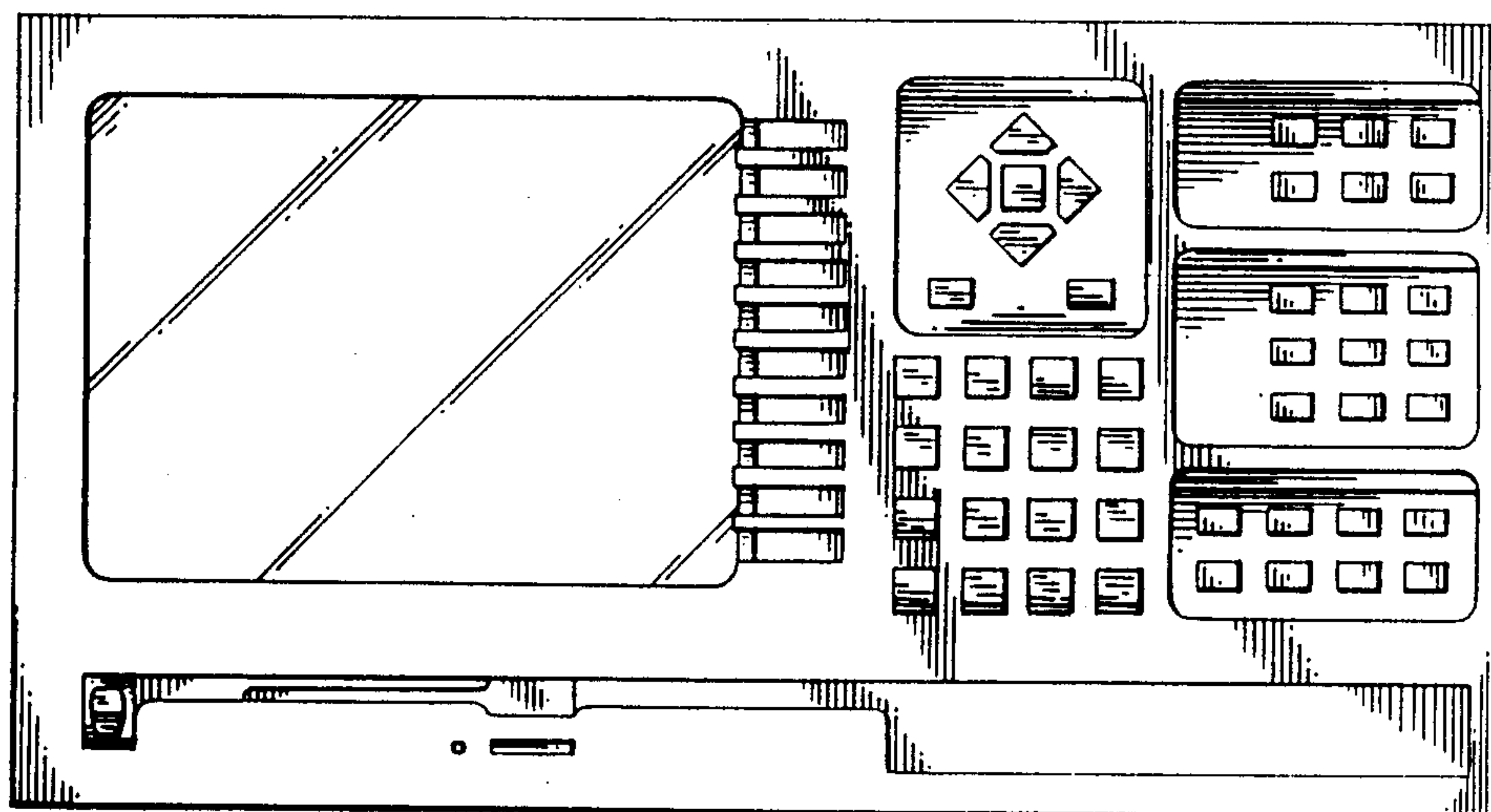


FIG. 1

FIG. 2



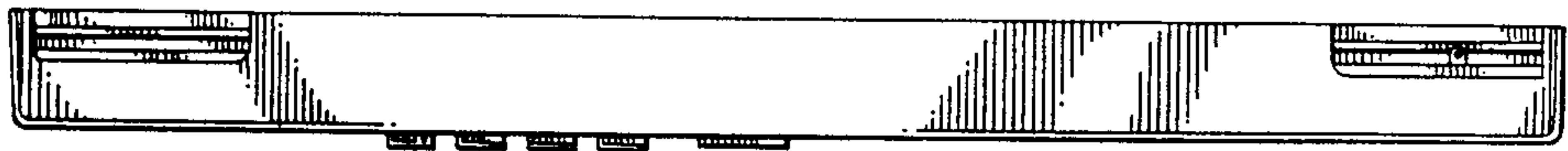


FIG. 5



FIG. 3

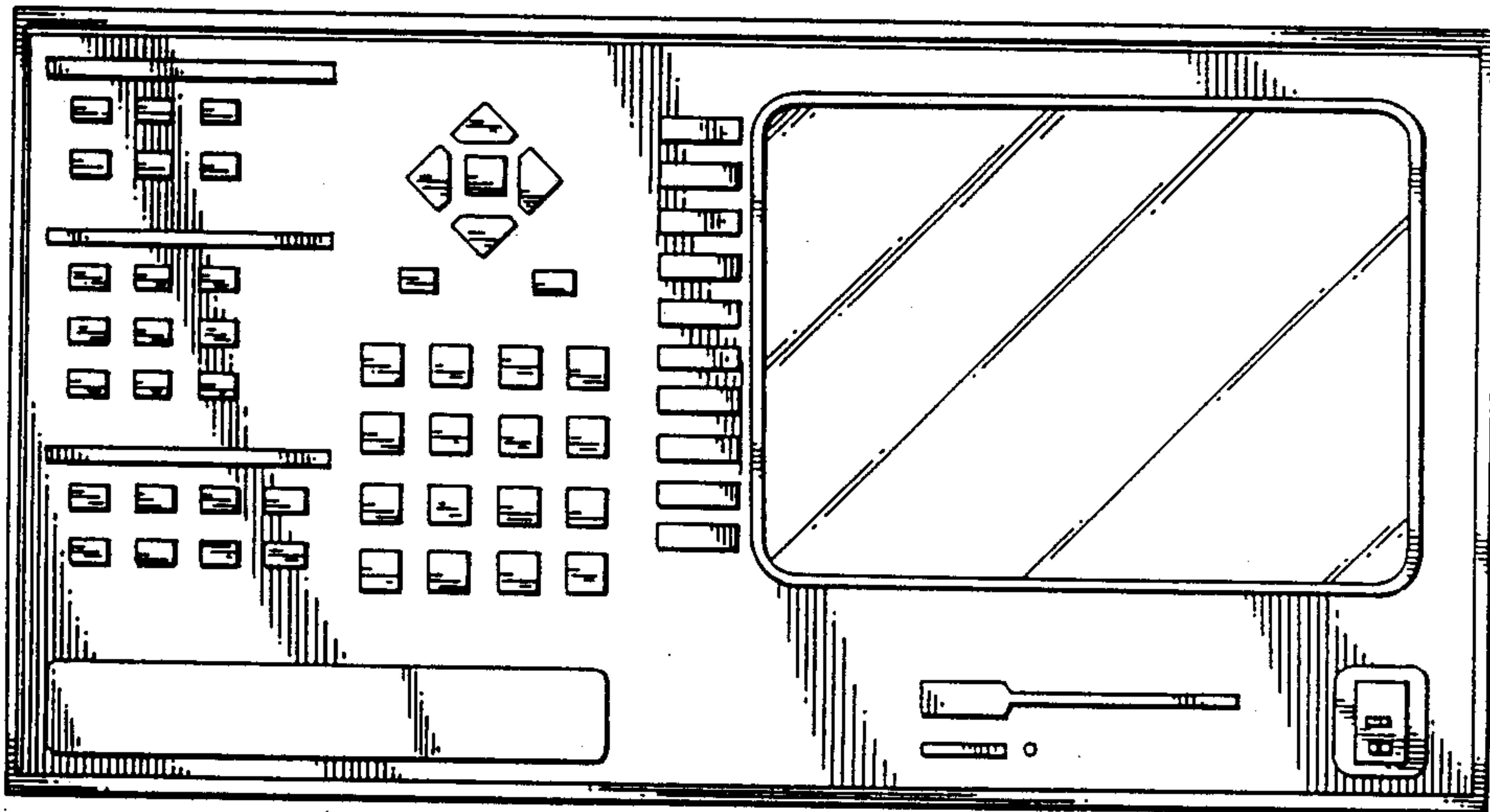


FIG. 4

UNITED STATES PATENT AND TRADEMARK OFFICE
CERTIFICATE OF CORRECTION

PATENT NO. : Des. 313,982

DATED : Jan. 22, 1991

INVENTOR(S) : Randall N. Eilert et al

It is certified that error appears in the above-identified patent and that said Letters Patent is hereby corrected as shown below:

On the title page, under item [57] CLAIM, DESCRIPTION, line 4,
"forms part" should be --forms no part--.

**Signed and Sealed this
Sixth Day of October, 1992**

Attest:

DOUGLAS B. COMER

Attesting Officer

Acting Commissioner of Patents and Trademarks