

[54] **LAPTOP PERSONAL COMPUTER OR THE LIKE**

[75] Inventor: **Nobukatsu Miyakuni, Fuchu, Japan**

[73] Assignee: **AI Electronics Corporation, Tokyo, Japan**

[\*\*] Term: **14 Years**

[21] Appl. No.: **278,413**

[22] Filed: **Nov. 30, 1988**

[52] U.S. Cl. .... **D14/106**

[58] Field of Search ..... **D14/100, 106, 107, 113, D14/115; D18/1, 7, 11, 12; 235/145 A, 145 R; 312/208; 340/700, 706, 711, 712; 341/22, 23; 364/706-710; 400/489, 492, 496**

[56] **References Cited**

**U.S. PATENT DOCUMENTS**

D. 280,511	9/1985	Moggridge et al. ....	D14/106
D. 290,256	6/1987	Sapper .....	D14/106
D. 291,442	8/1987	Kurihara .....	D14/106
D. 299,031	12/1988	Sugano .....	D14/106

*Primary Examiner*—Wallace R. Burke  
*Assistant Examiner*—Freda S. Nunn

*Attorney, Agent, or Firm*—Spensley Horn Jubas & Lubitz

[57] **CLAIM**

The ornamental design for a laptop personal computer or the like, as shown and described.

**DESCRIPTION**

FIG. 1 is a perspective view of a laptop personal computer or the like showing my new design in the opened position;

FIG. 2 is a front elevational view thereof on an enlarged scale;

FIG. 3 is a top plan view thereof on an enlarged scale;

FIG. 4 is a right side elevational view thereof on an enlarged scale;

FIG. 5 is a left side elevational view thereof on an enlarged scale;

FIG. 6 is a rear elevational view thereof on an enlarged scale;

FIG. 7 is a bottom plan view thereof on an enlarged scale;

FIG. 8 is a front elevational view thereof on an enlarged scale in the closed position;

FIG. 9 is a top plan view thereof on an enlarged scale;

FIG. 10 is a right side elevational view thereof on an enlarged scale; and

FIG. 11 is a top plan view thereof on an enlarged scale with the handle in the extended position.

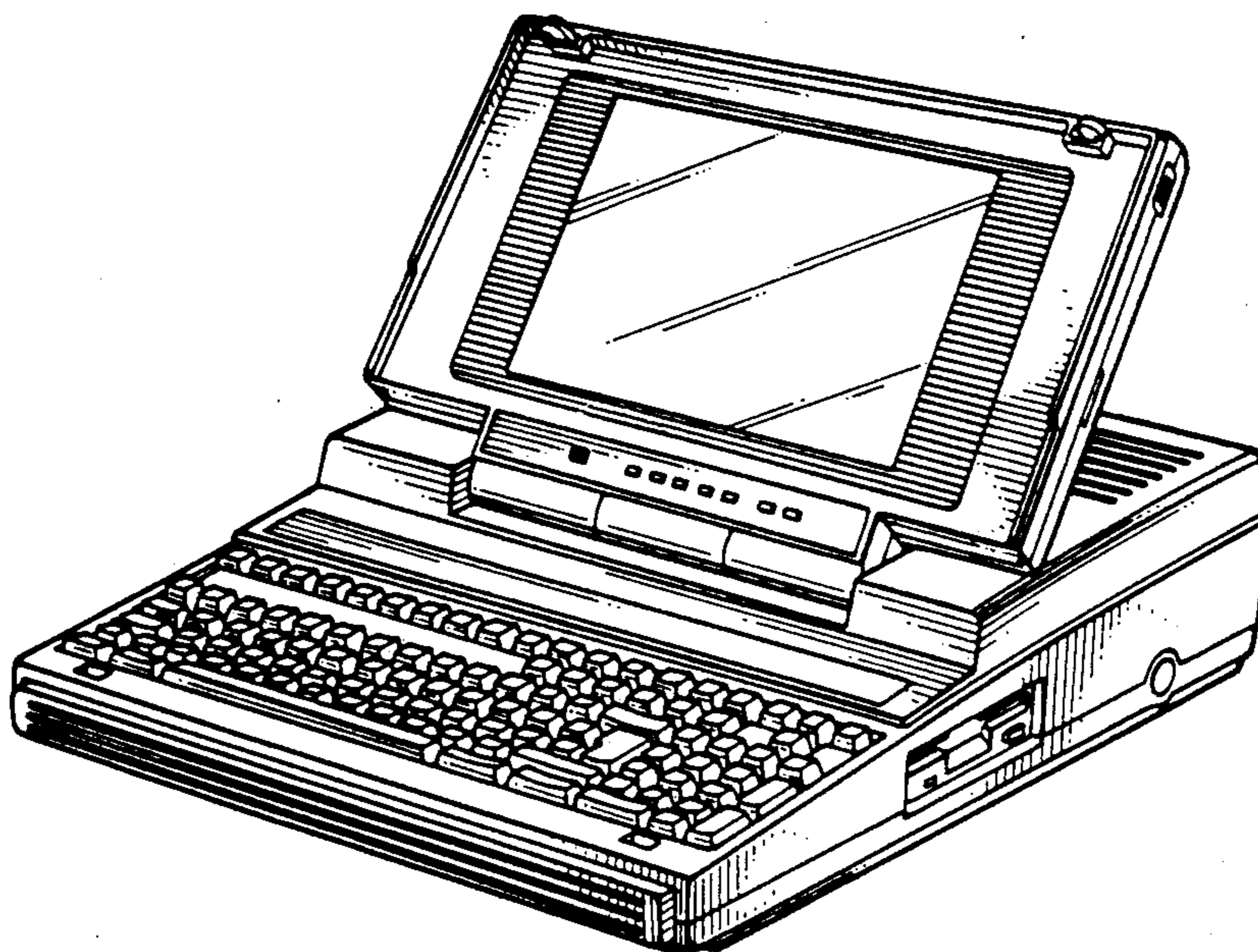


FIG. 1

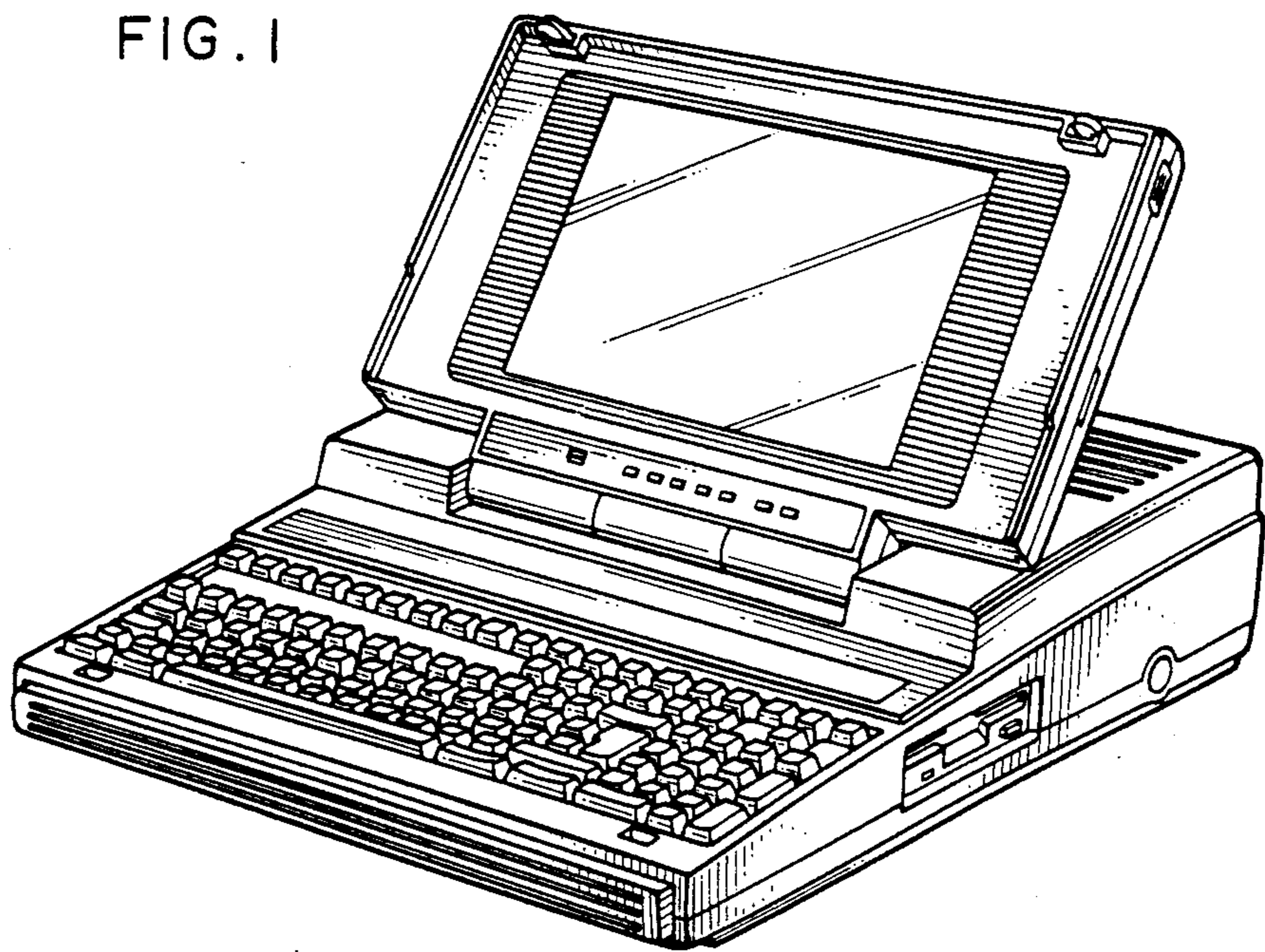


FIG. 2

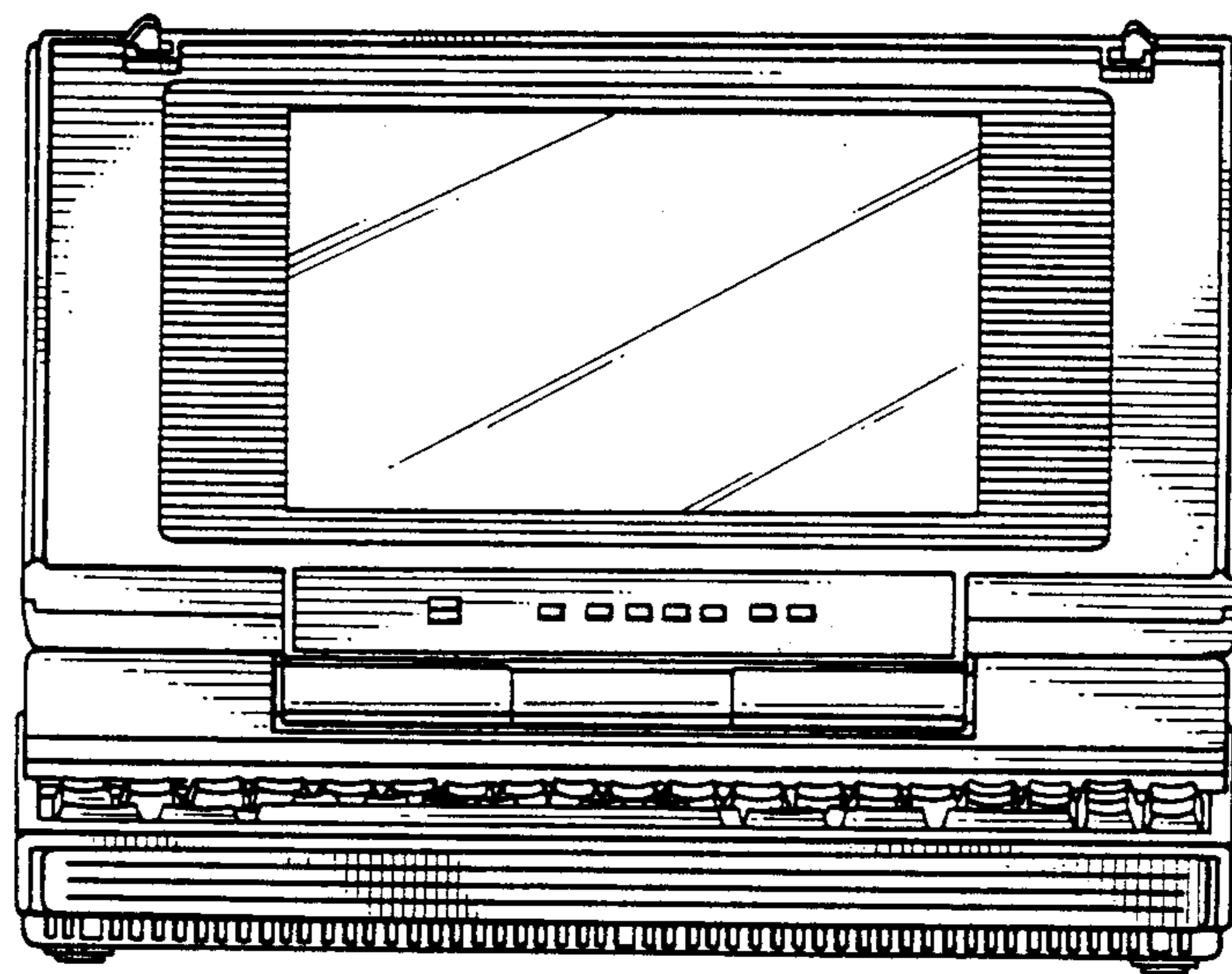


FIG. 3

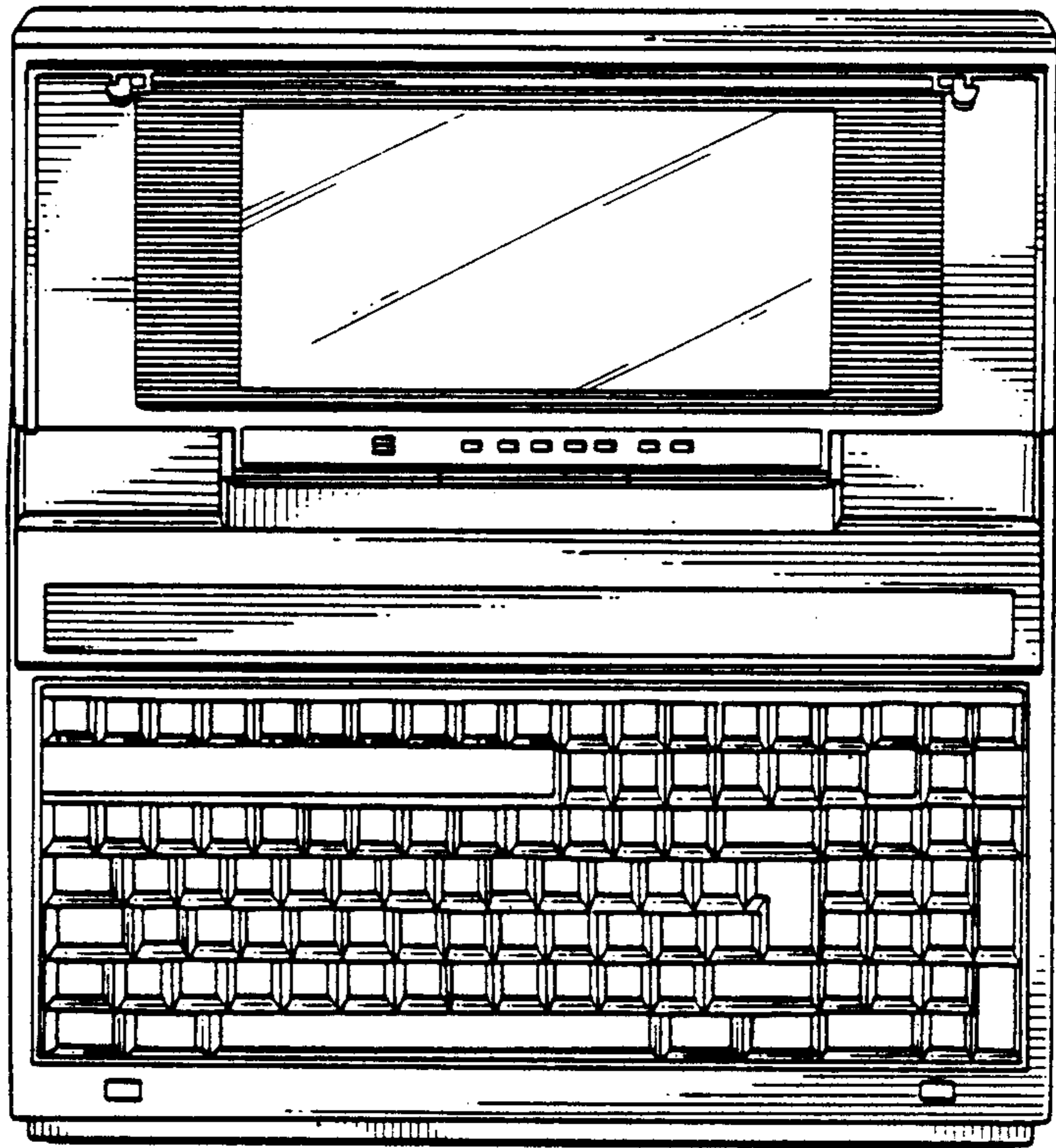


FIG. 4

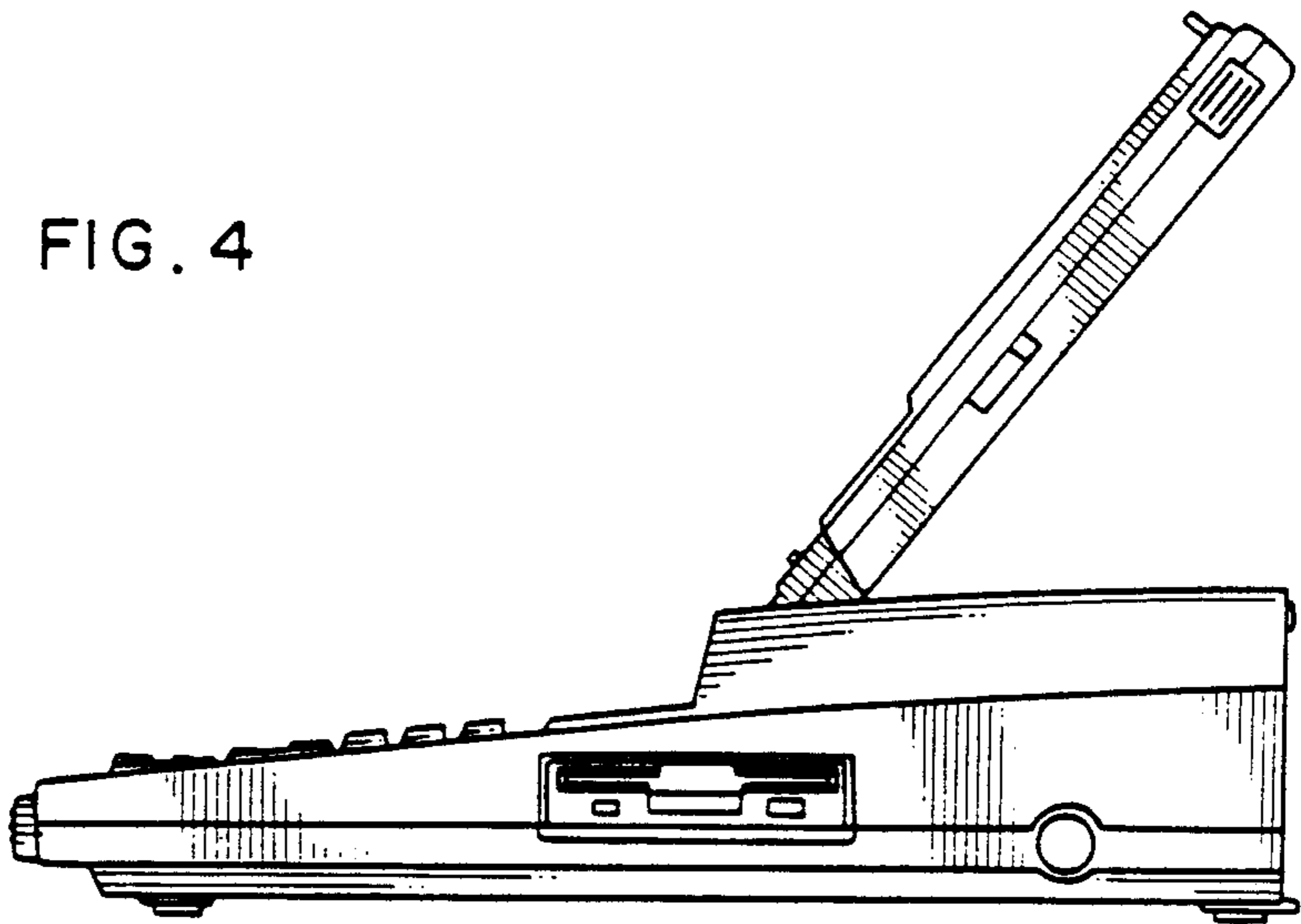


FIG. 5

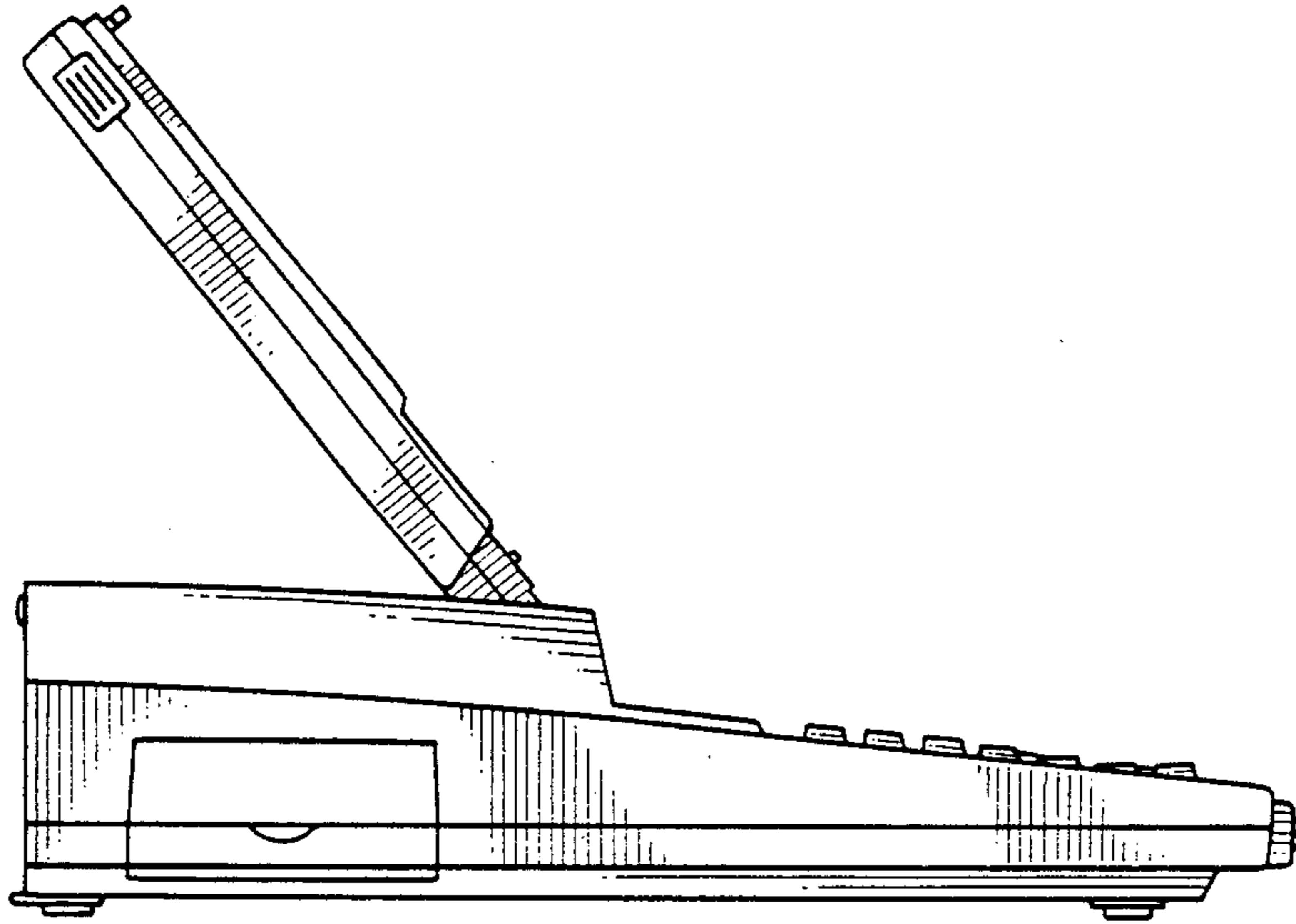


FIG. 6

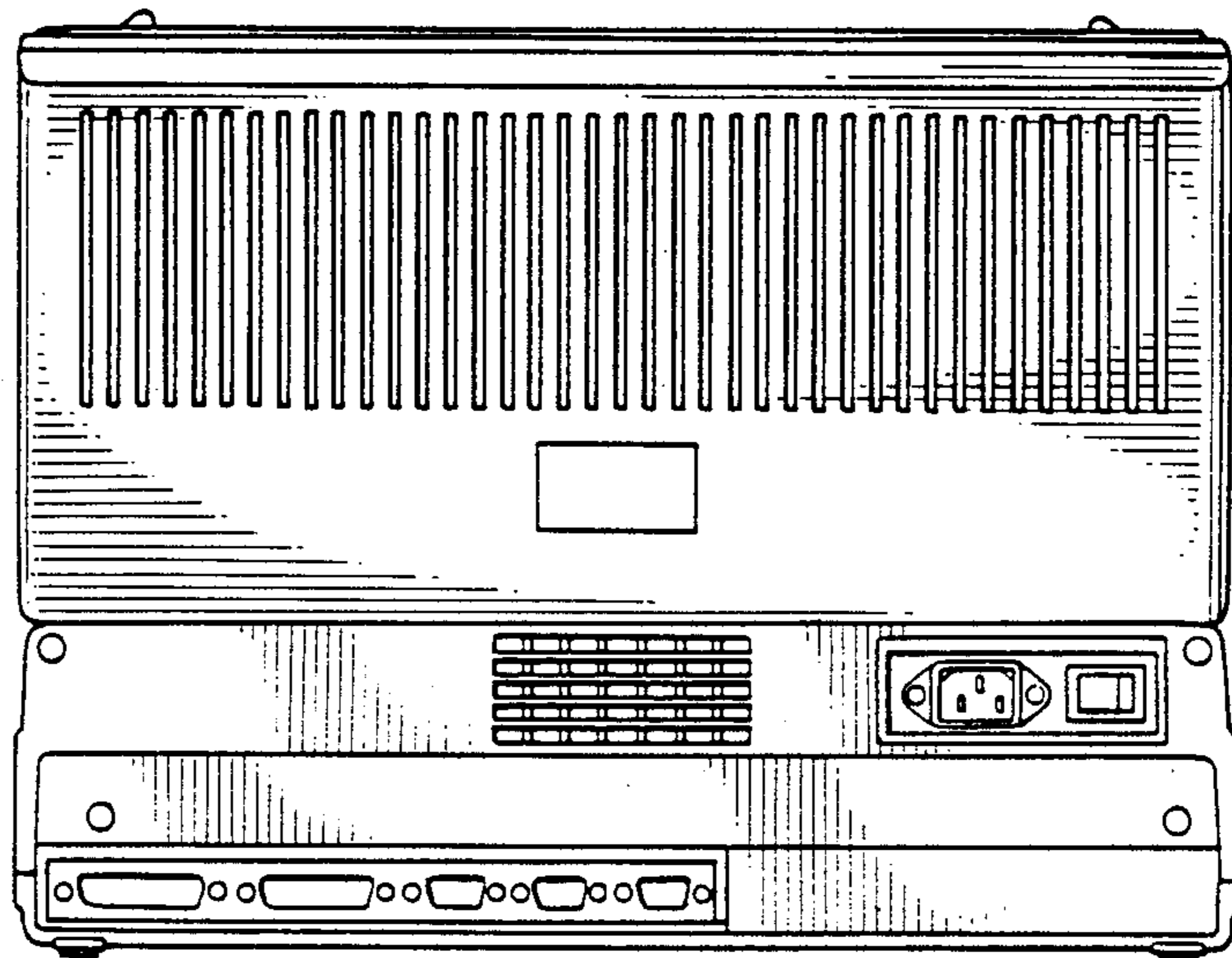


FIG. 7

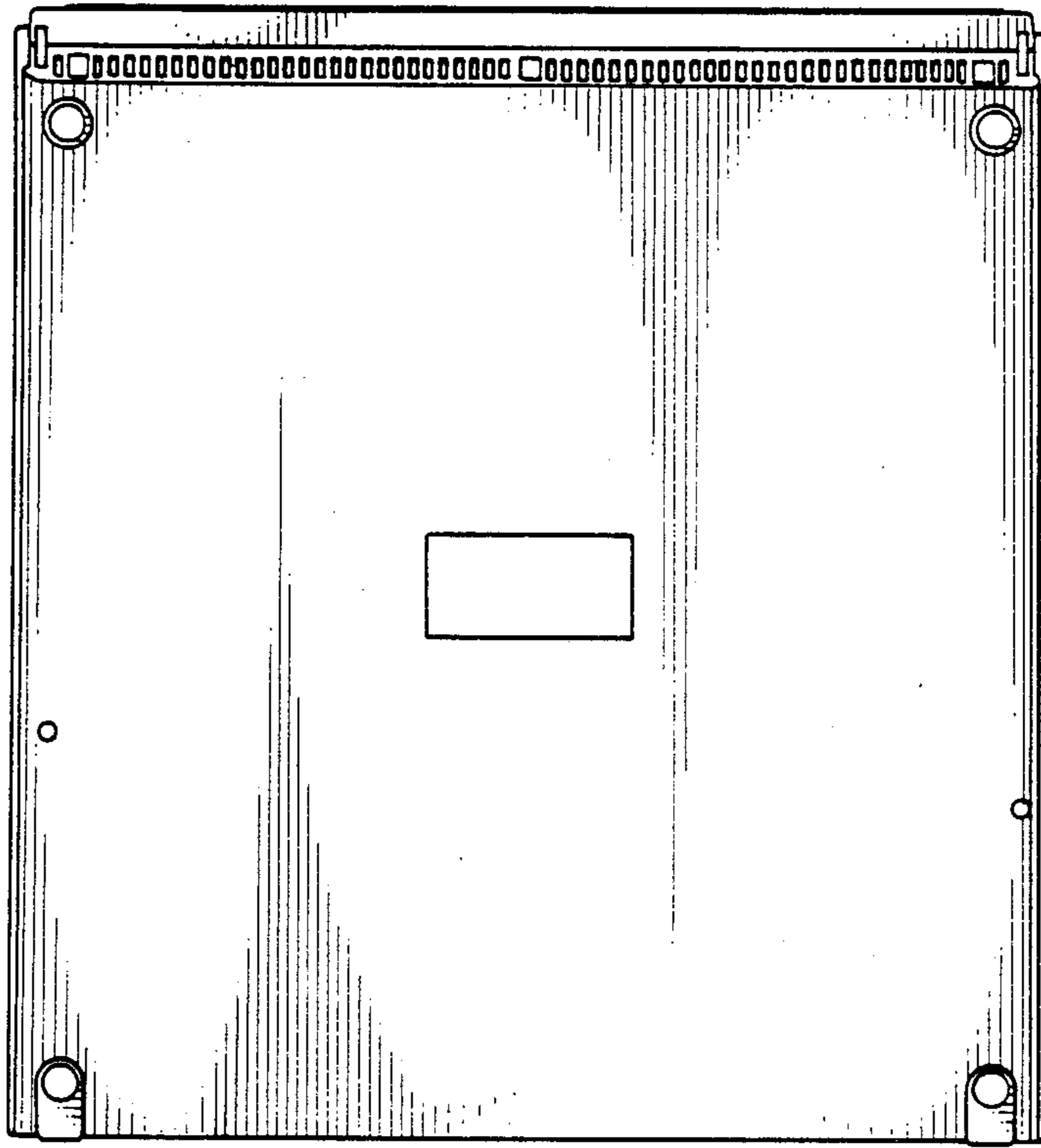


FIG. 8

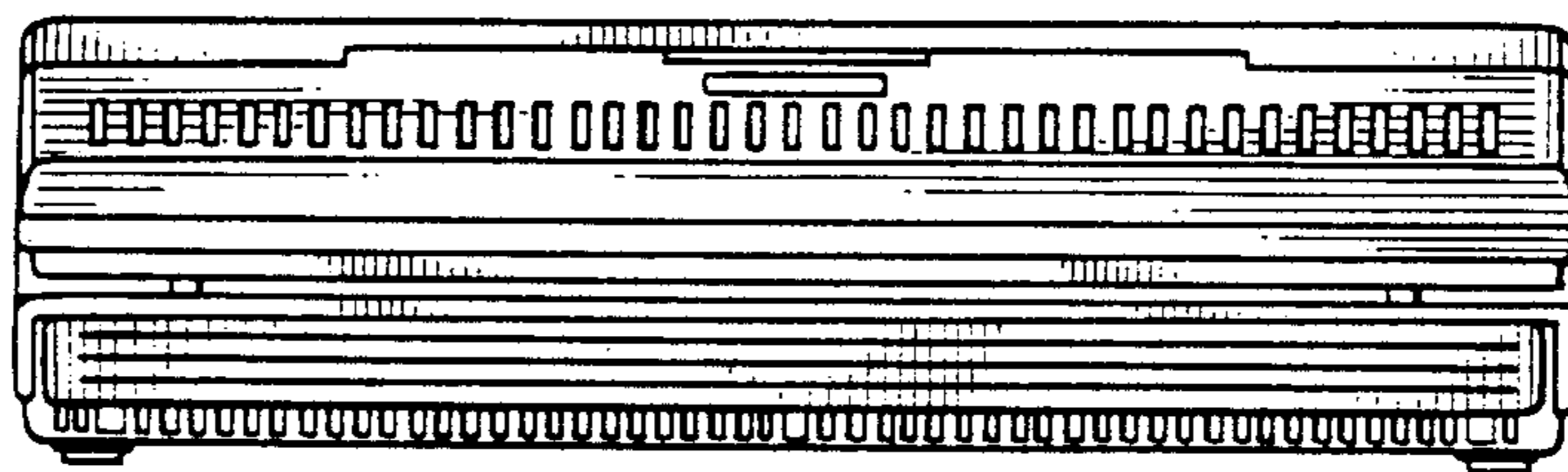


FIG. 9

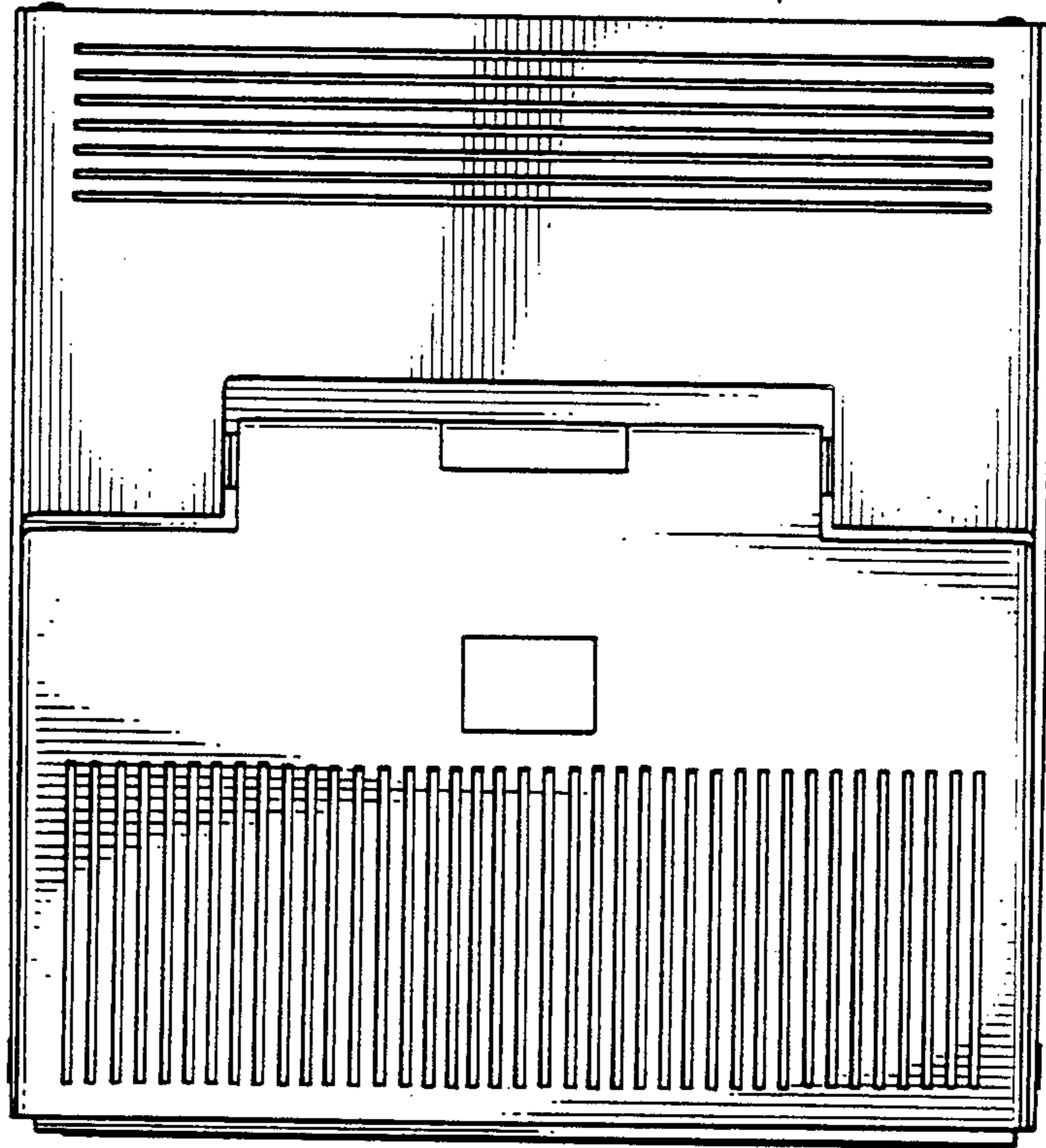


FIG. 10

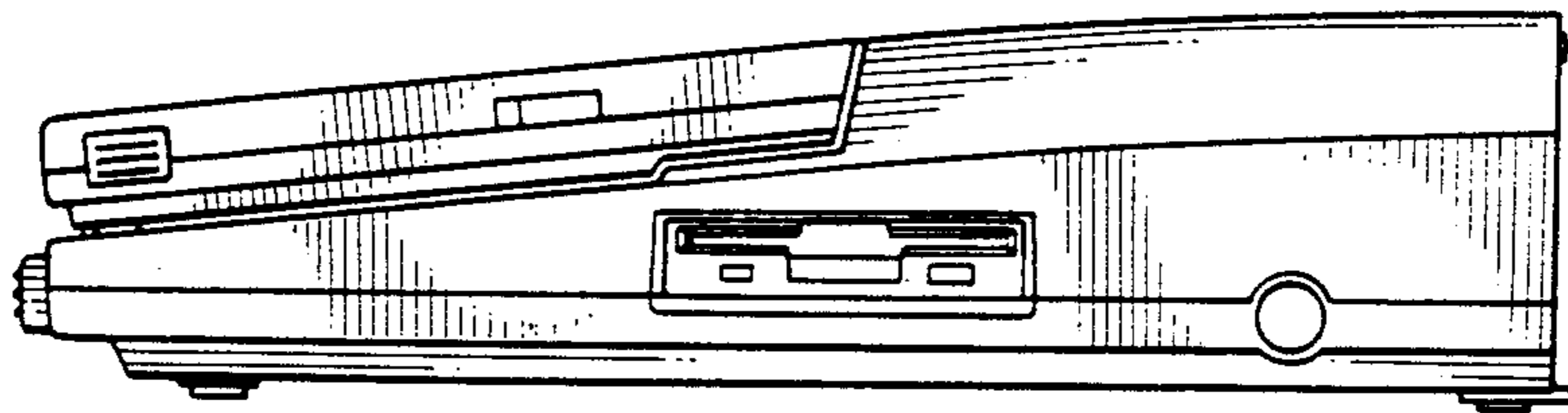


FIG. II

