

[54] DESKTOP-COMPUTER HOUSING OR SIMILAR ARTICLE

[75] Inventor: Dale C. Bina, Wheaton, Ill.

[73] Assignee: AT&T Bell Laboratories, Murray Hill, N.J.

[**] Term: 14 Years

[21] Appl. No.: 478,885

[22] Filed: Feb. 12, 1990

Related U.S. Application Data

[62] Division of Ser. No. 92,114, Sep. 2, 1987, Pat. No. Des. 308,965.

[52] U.S. Cl. D14/102

[58] Field of Search D14/100, 102, 103, 104, D14/107, 108, 109; D13/184; 360/97-99; 361/331, 332, 380, 381, 390-395, 399, 415, 426; 200/5 A, 5 R, 6 A, 6 R

[56] References Cited

U.S. PATENT DOCUMENTS

- D. 278,909 5/1985 Ramos et al. D13/40 X
- D. 283,817 5/1986 Sakamoto D14/102
- D. 285,202 8/1986 Golden et al. D14/103
- D. 285,795 9/1986 Chandler et al. D14/115

- D. 297,537 9/1988 Noda et al. D14/109
- 4,680,425 7/1987 Speraw 361/390 X
- 4,698,707 10/1987 Heys, Jr. et al. 360/97.02
- 4,740,851 4/1988 Jones et al. 360/99.08

OTHER PUBLICATIONS

"The NCR Tower", Datamation, Dec. 1, 1987, pp. 104-105.

Computer Design, Feb. 1984, p. 103-Tower Annex Disk Drive-Scientific Library.

Primary Examiner—Wallace R. Burke

Assistant Examiner—Freda S. Nunn

Attorney, Agent, or Firm—David Volejnicek

[57] CLAIM

The ornamental design for a desktop-computer housing or similar article, as shown and described.

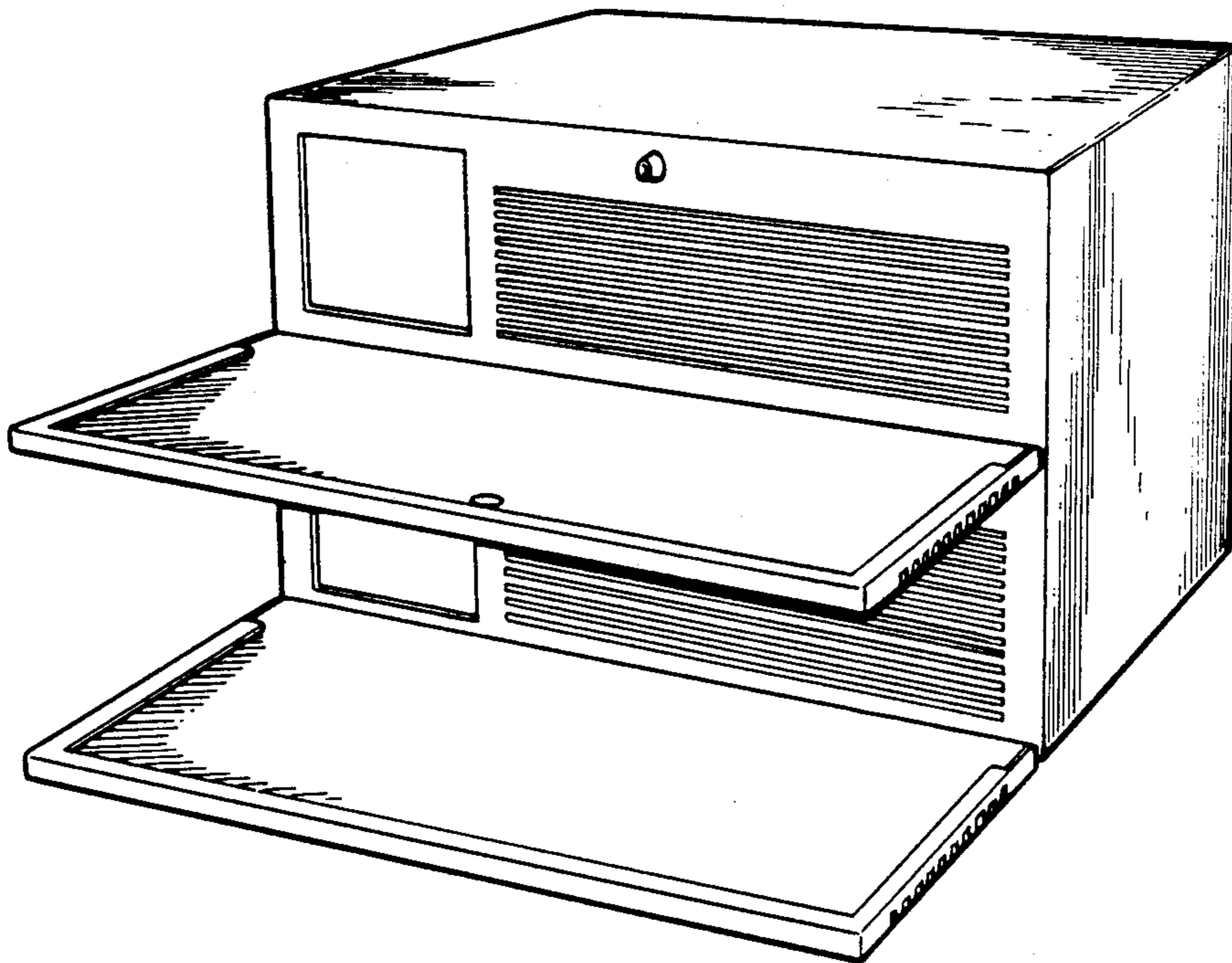
DESCRIPTION

FIG. 1 is a top, front, right side perspective view of the desktop-computer housing or similar article showing my new design having a closed door;

FIG. 2 is a top, front, right side perspective view thereof having opened doors;

FIG. 3 is a left side elevational view thereof, the right side being a mirror image; and

FIG. 4 is a rear elevational view thereof.



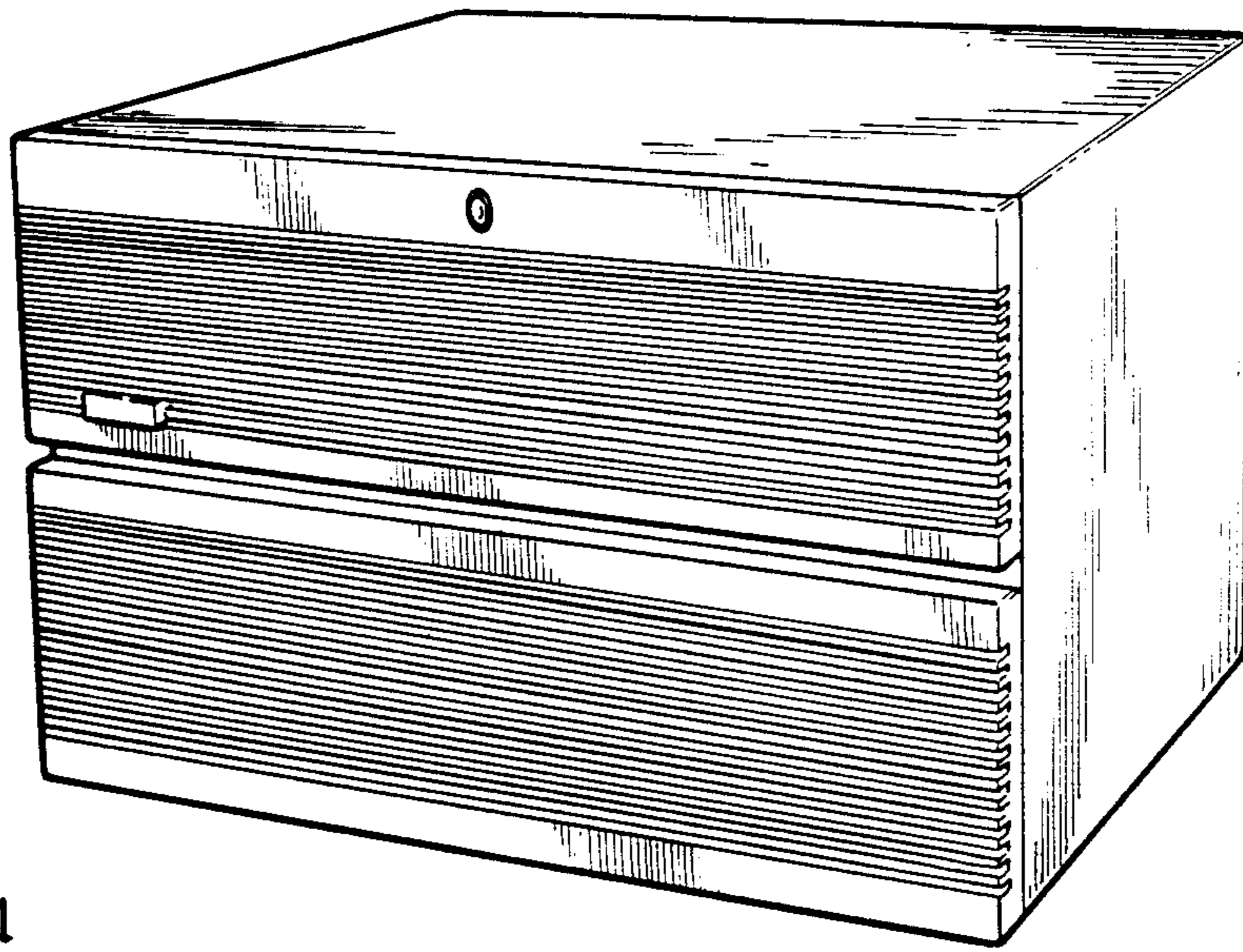


Fig. 1

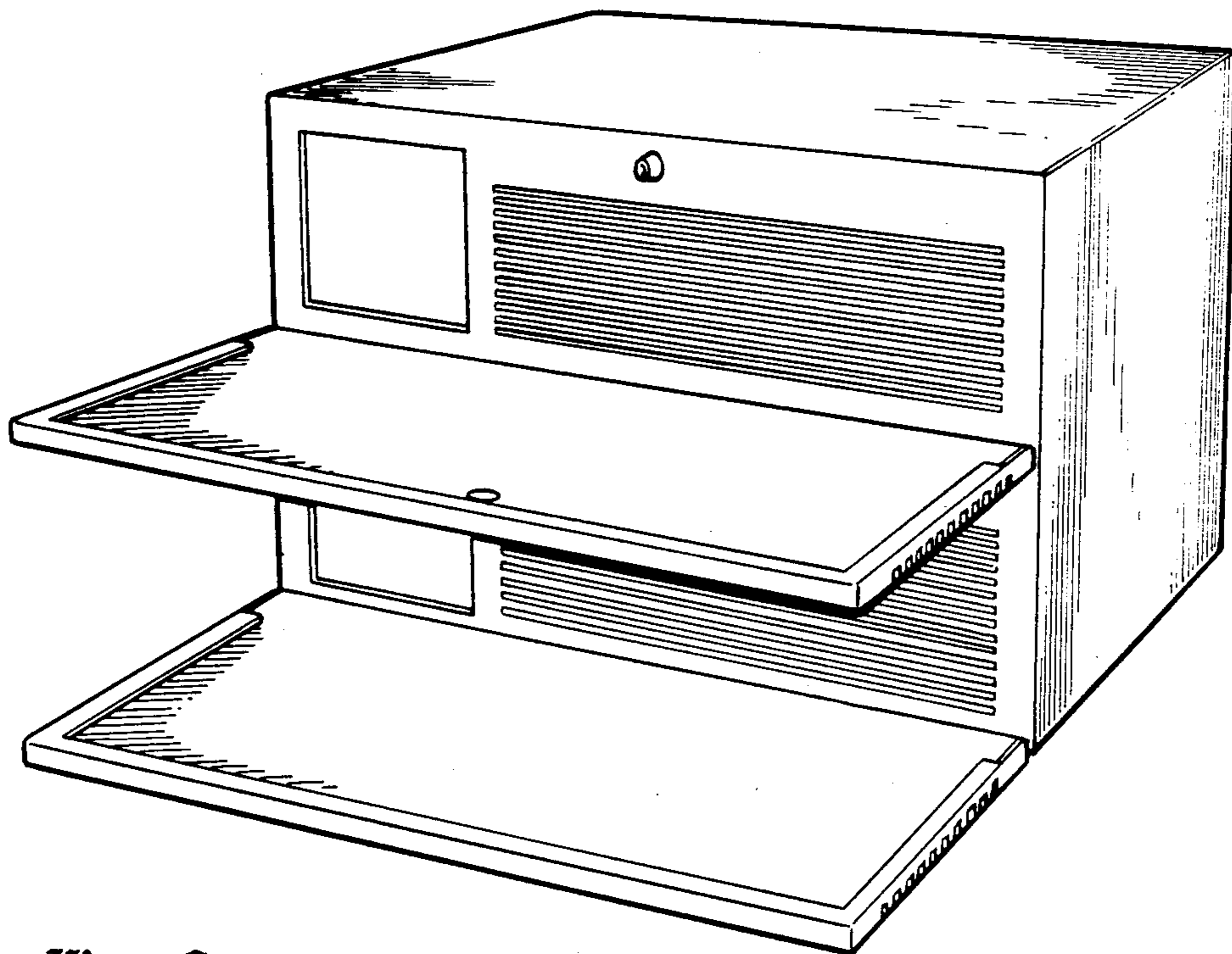


Fig. 2

Fig. 3

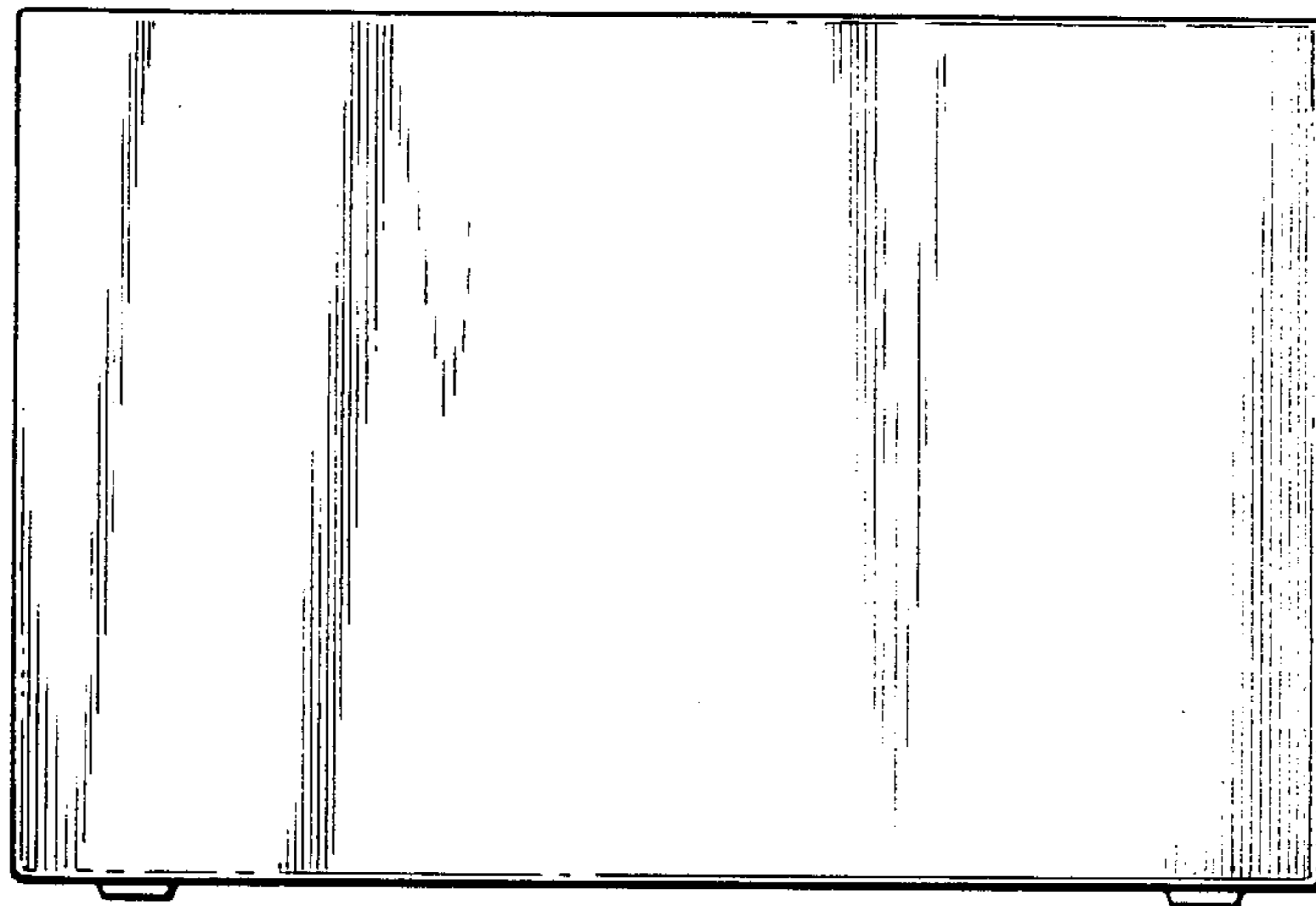
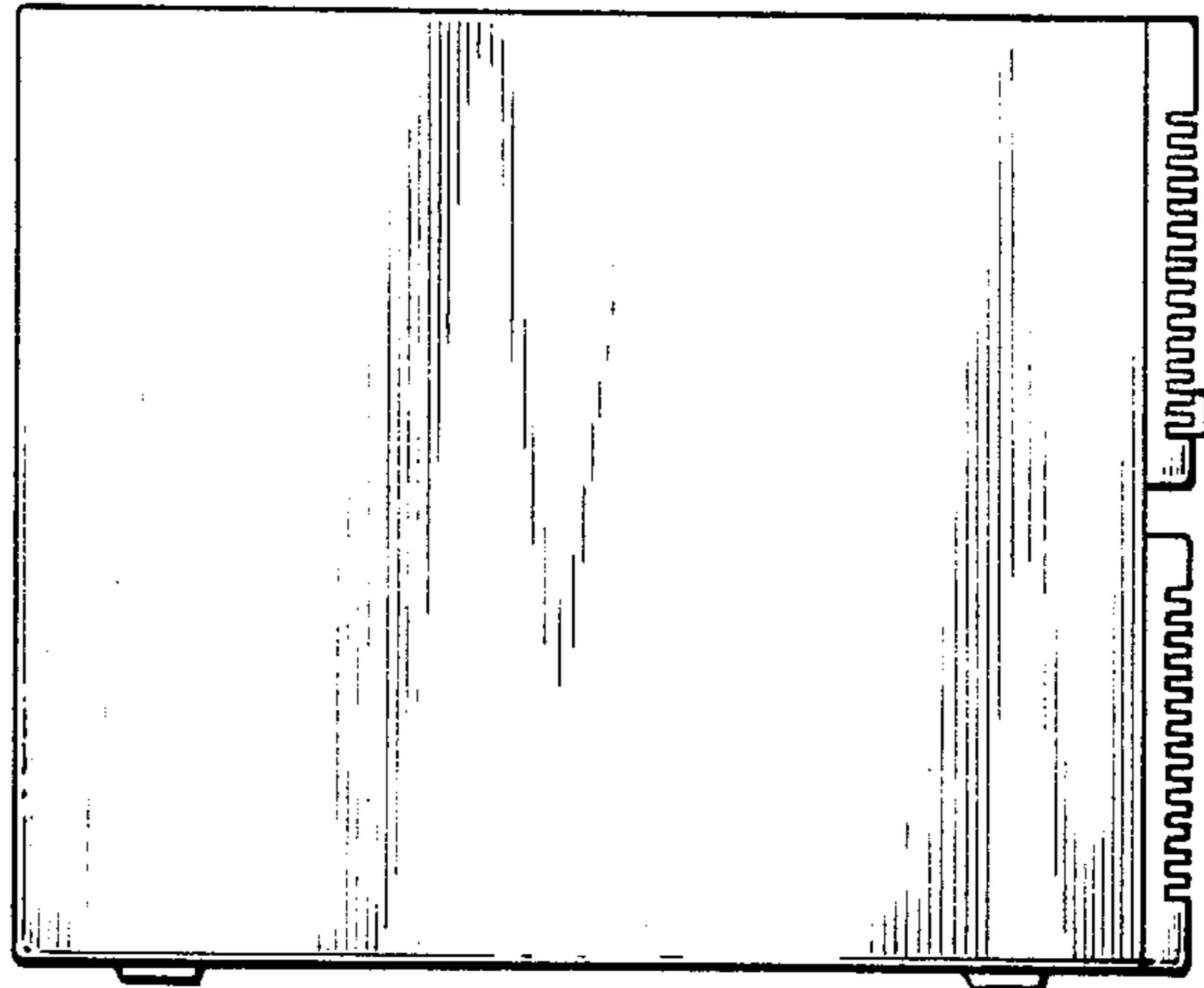


Fig. 4