

[54] ELECTRONIC CONDUCTIVE CONTACT SENSOR

[76] Inventor: Moshe Meller, 20 Rachel Street, Haifa, Israel, 33402

[**] Term: 14 Years

[21] Appl. No.: 378,576

[22] Filed: Jul. 11, 1989

[52] U.S. Cl. D13/173; D13/199; D13/171

[58] Field of Search D13/158, 171, 173; 200/61.4, 61.42, 61.2, 412, 417, 520, 238, 239, 245

[56] References Cited

U.S. PATENT DOCUMENTS

| | | | |
|-----------|---------|----------|-------------|
| 3,339,040 | 8/1967 | Vilkas | 200/61.41 |
| 3,499,226 | 3/1970 | Hopkins | 200/61.42 X |
| 3,628,008 | 12/1971 | Lacey | 200/61.4 X |
| 4,553,001 | 11/1985 | Kroetsch | 200/61.41 |

4,681,202 7/1987 Dinse 200/61.42 X

FOREIGN PATENT DOCUMENTS

0126109 6/1928 Switzerland 200/5 R

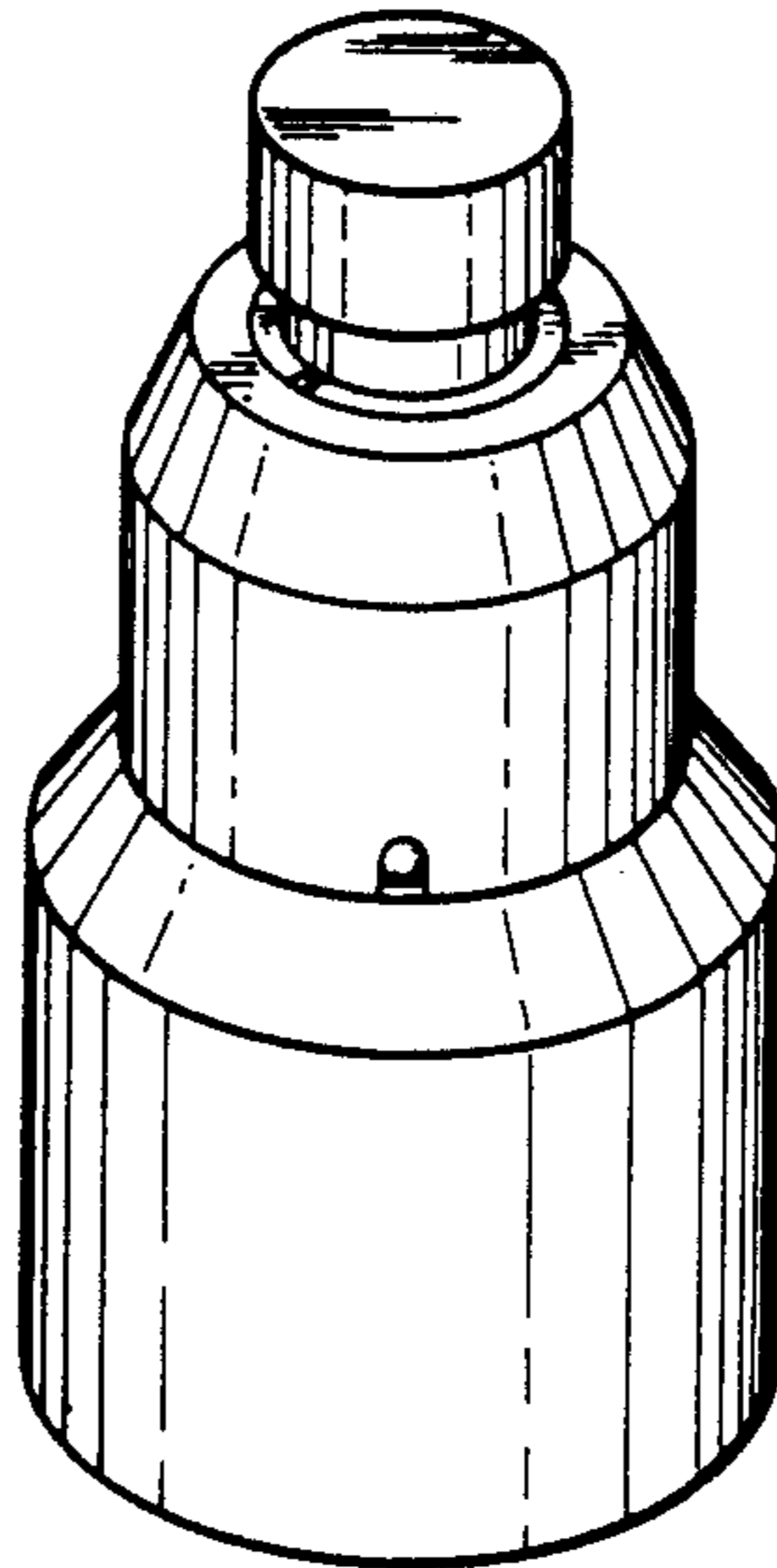
Primary Examiner—Susan J. Lucas
Assistant Examiner—Joel Sincavage
Attorney, Agent, or Firm—Frishauf, Holtz, Goodman & Woodward

[57] CLAIM

The ornamental design for a electronic conductive contact sensor, as shown and described.

DESCRIPTION

FIG. 1 is a front-top perspective view of an electronic conductive contact sensor, showing my new design; FIG. 2 is a top plan view thereof; FIG. 3 is a front elevational view thereof; FIG. 4 is a bottom plan view thereof; FIG. 5 is a rear elevational thereof; and FIG. 6 is a left-side elevational view thereof, the right-side elevational view being a mirror image.



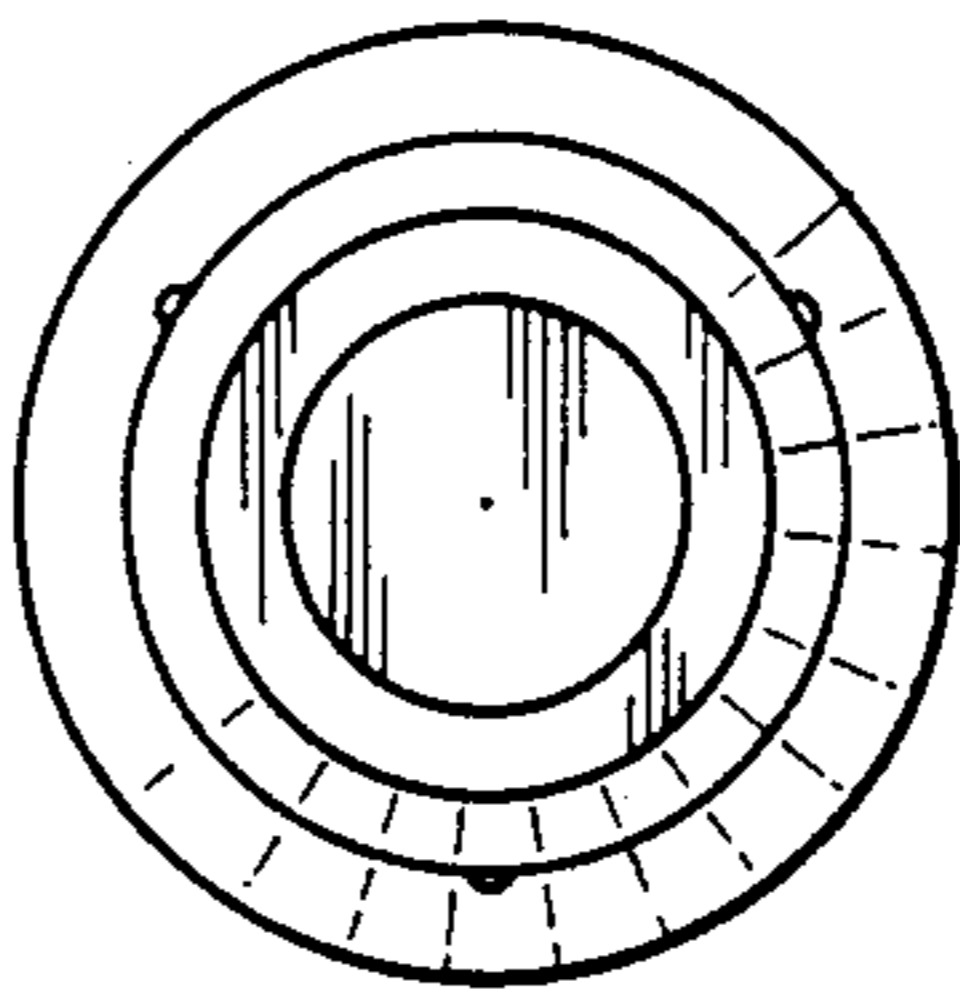


FIG. 2

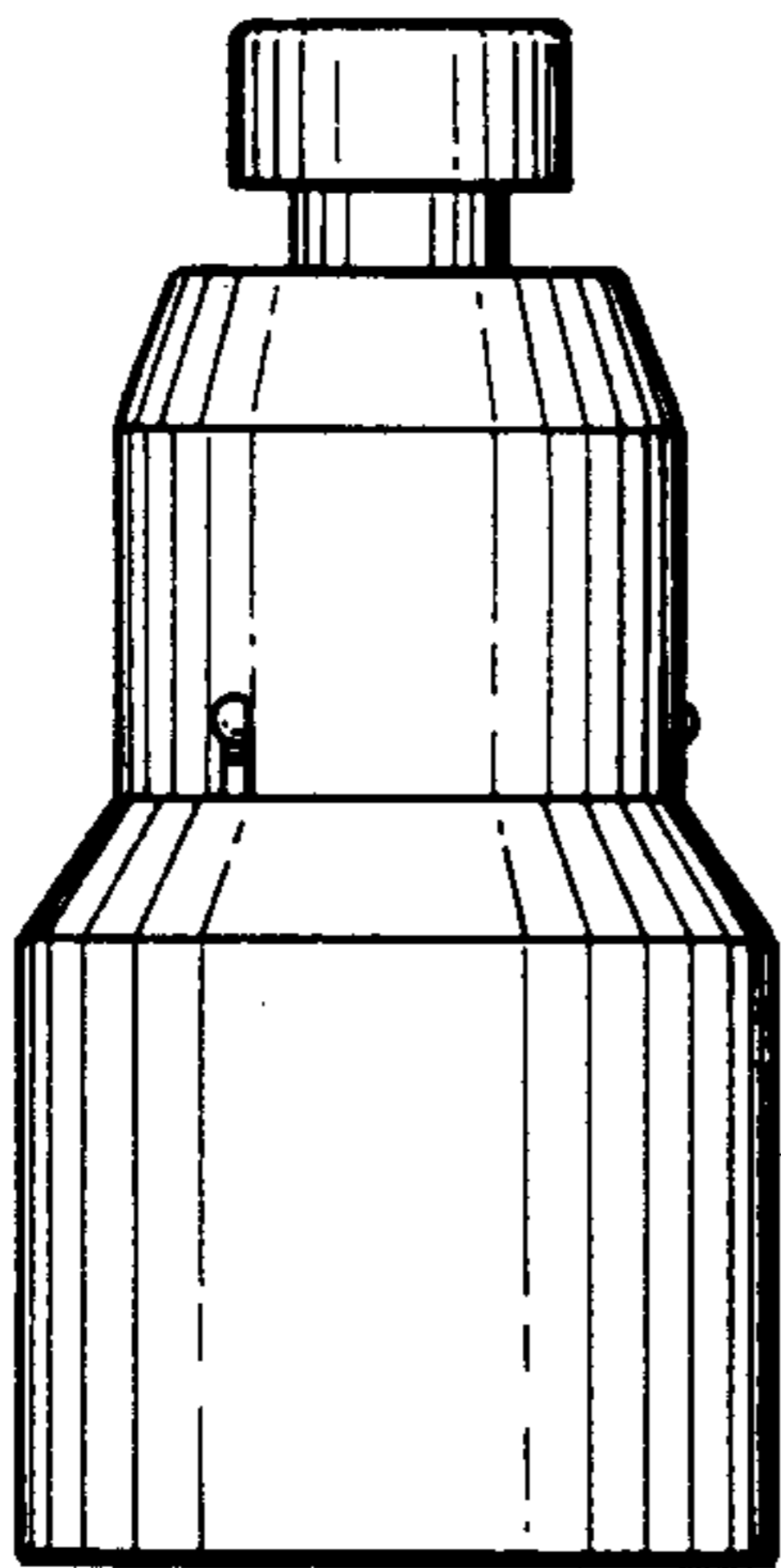


FIG. 6

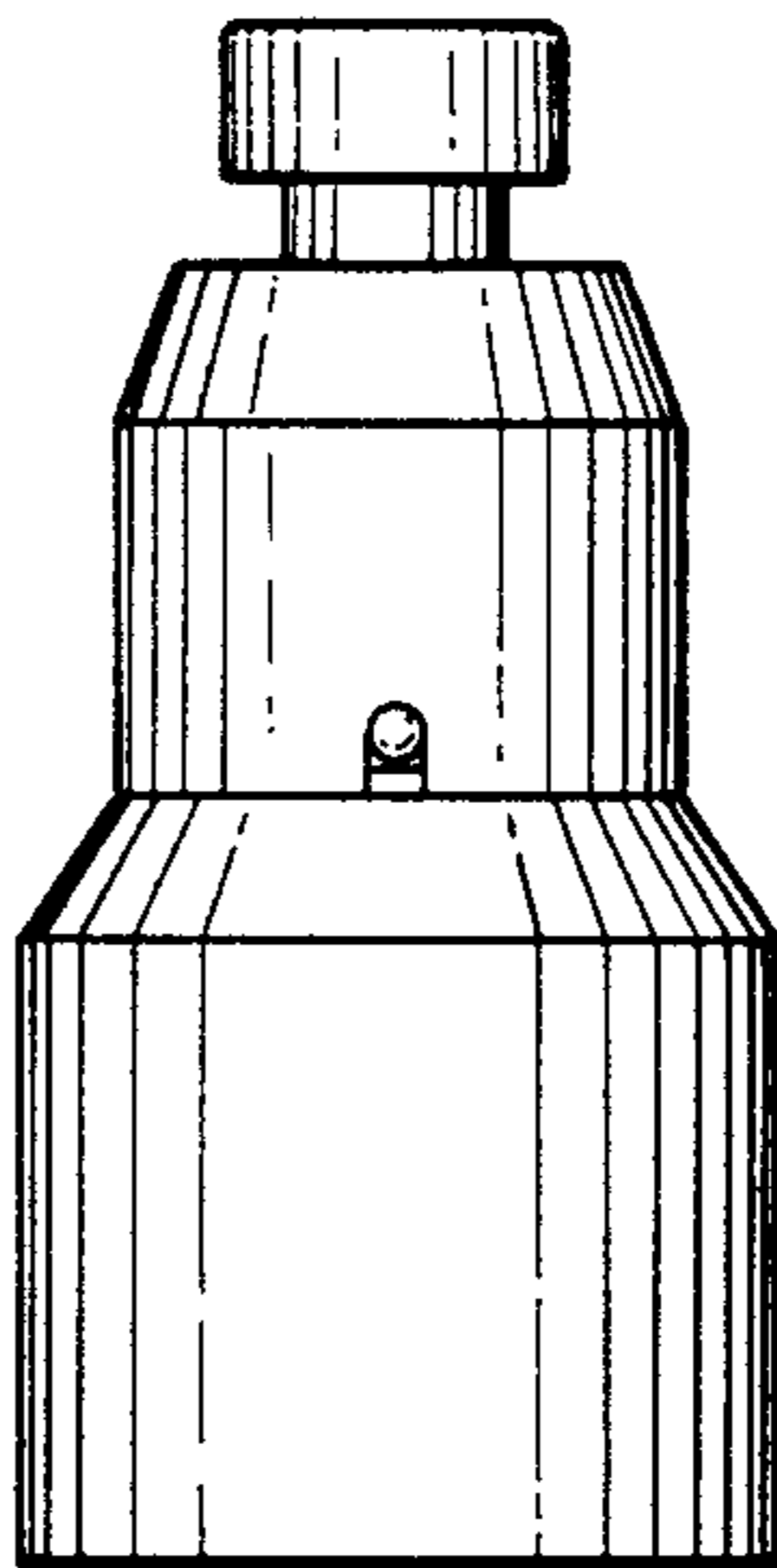


FIG. 3

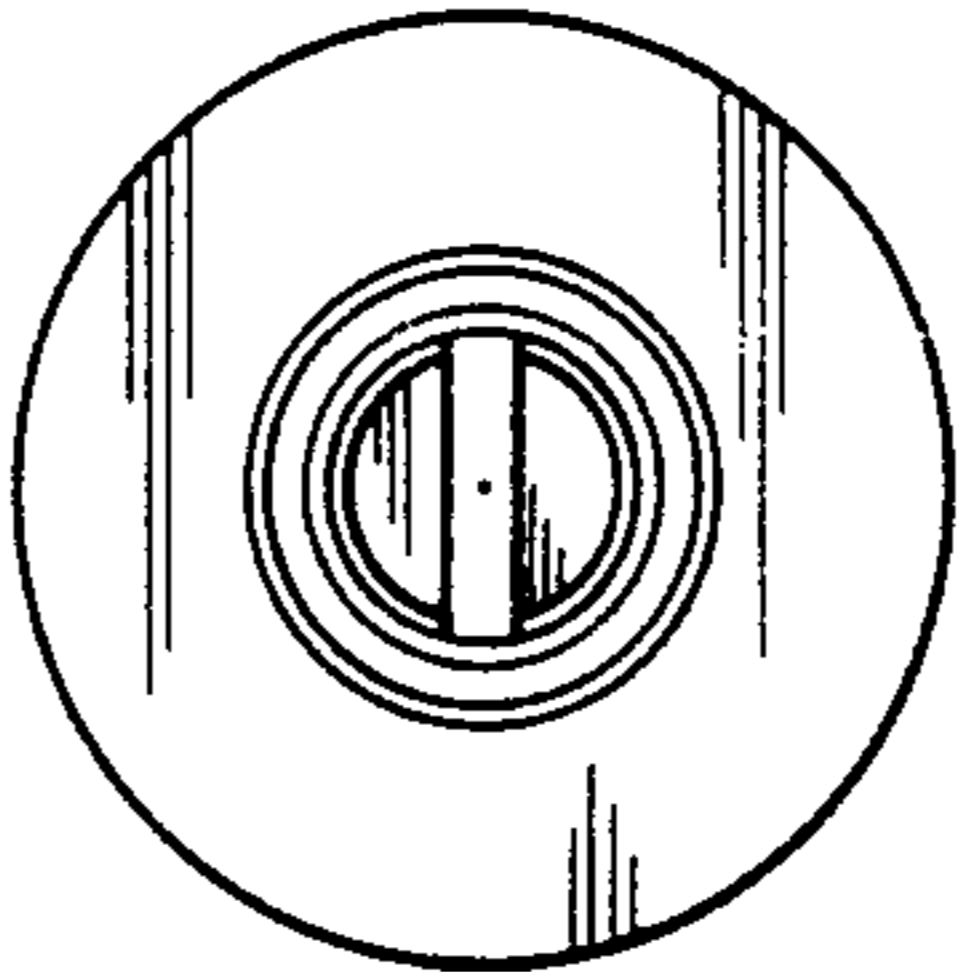


FIG. 4

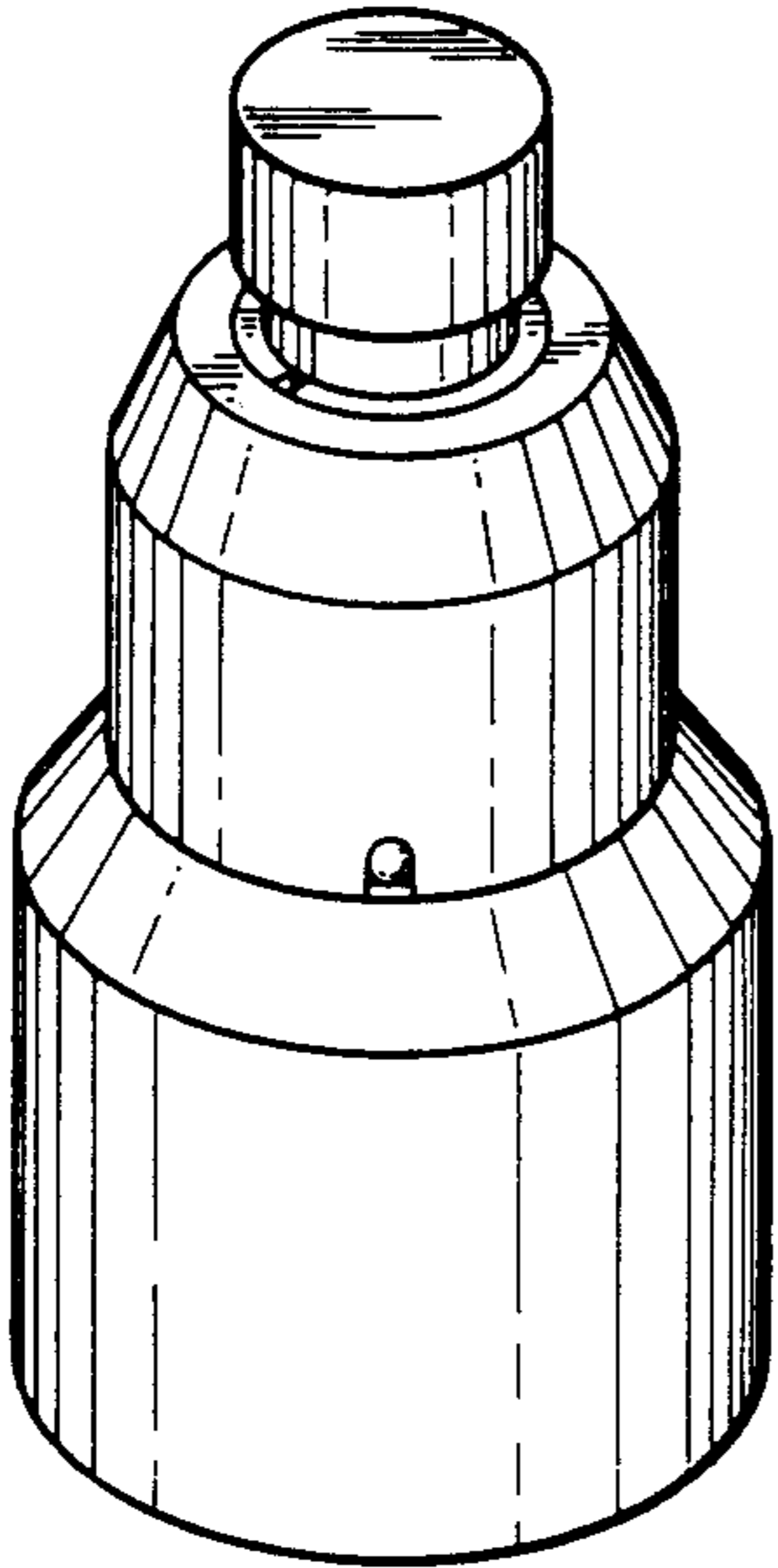


FIG. 1

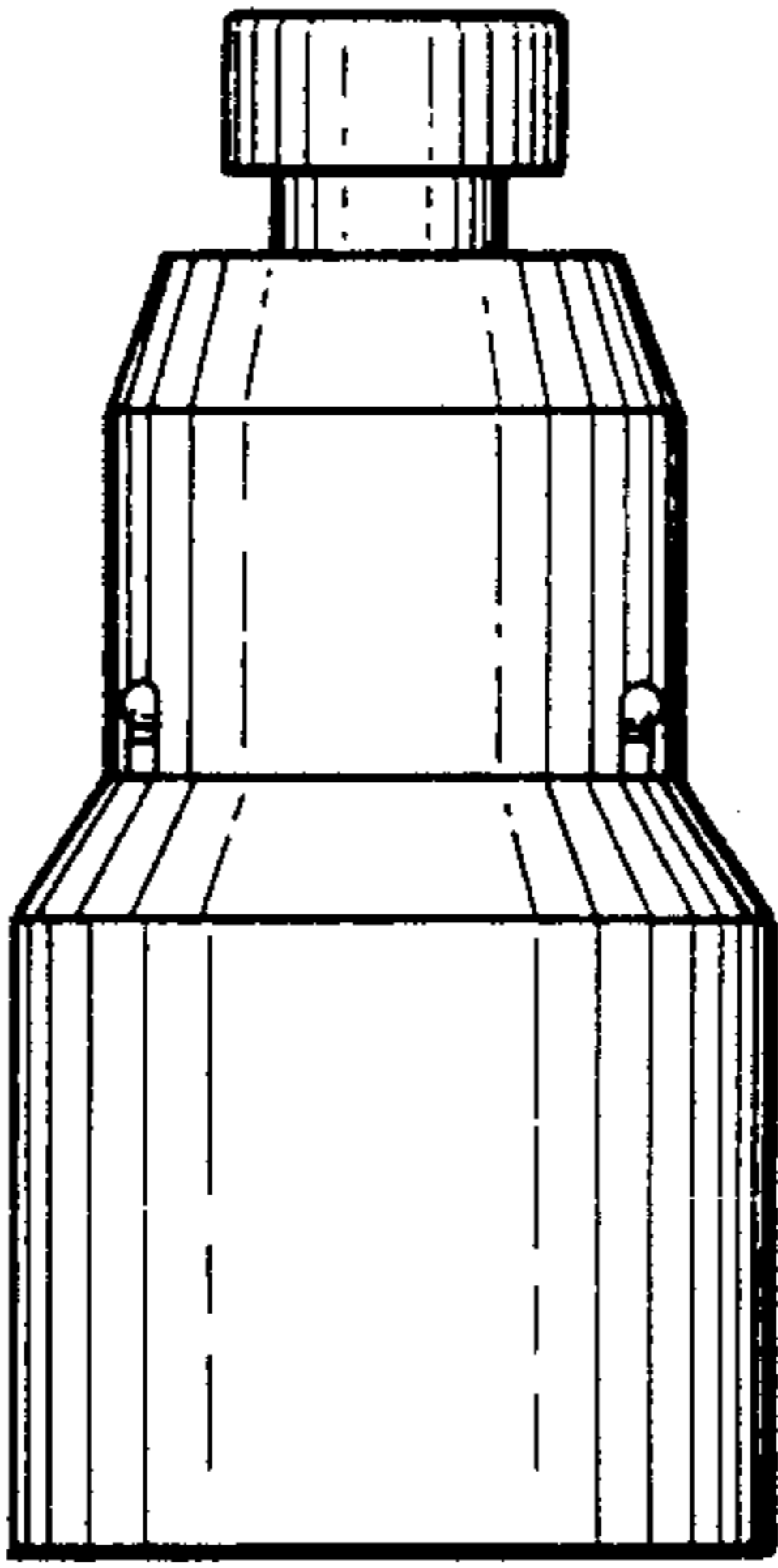


FIG. 5