

[54] **RECOIL SAFETY STRAP**

[76] **Inventor: Ira R. Sluss, Jr., Rte. #87, Box 119, Jumping Branch, W. Va. 25969**

[\*\*] **Term: 14 Years**

[21] **Appl. No.: 216,240**

[22] **Filed: Jul. 7, 1988**

[52] **U.S. Cl. .... D2/162**

[58] **Field of Search .... D29/10-11, D29/99; D2/624-627, 634-637, 639-640; 2/93, 300, 302, 305, 310-312, 315, 318-319, 321-323, 326-328, 331-332, 336, 338, 340; D11/215**

[56] **References Cited**

**U.S. PATENT DOCUMENTS**

- D. 213,616 3/1969 Bock et al. .... D12/162
- D. 235,762 7/1975 Genzel et al. .... D12/162
- 4,159,044 6/1979 Wydra .... 182/3

- 4,709,782 12/1987 Lipinski .... 182/3
- 4,767,091 8/1988 Cuny .... 182/3

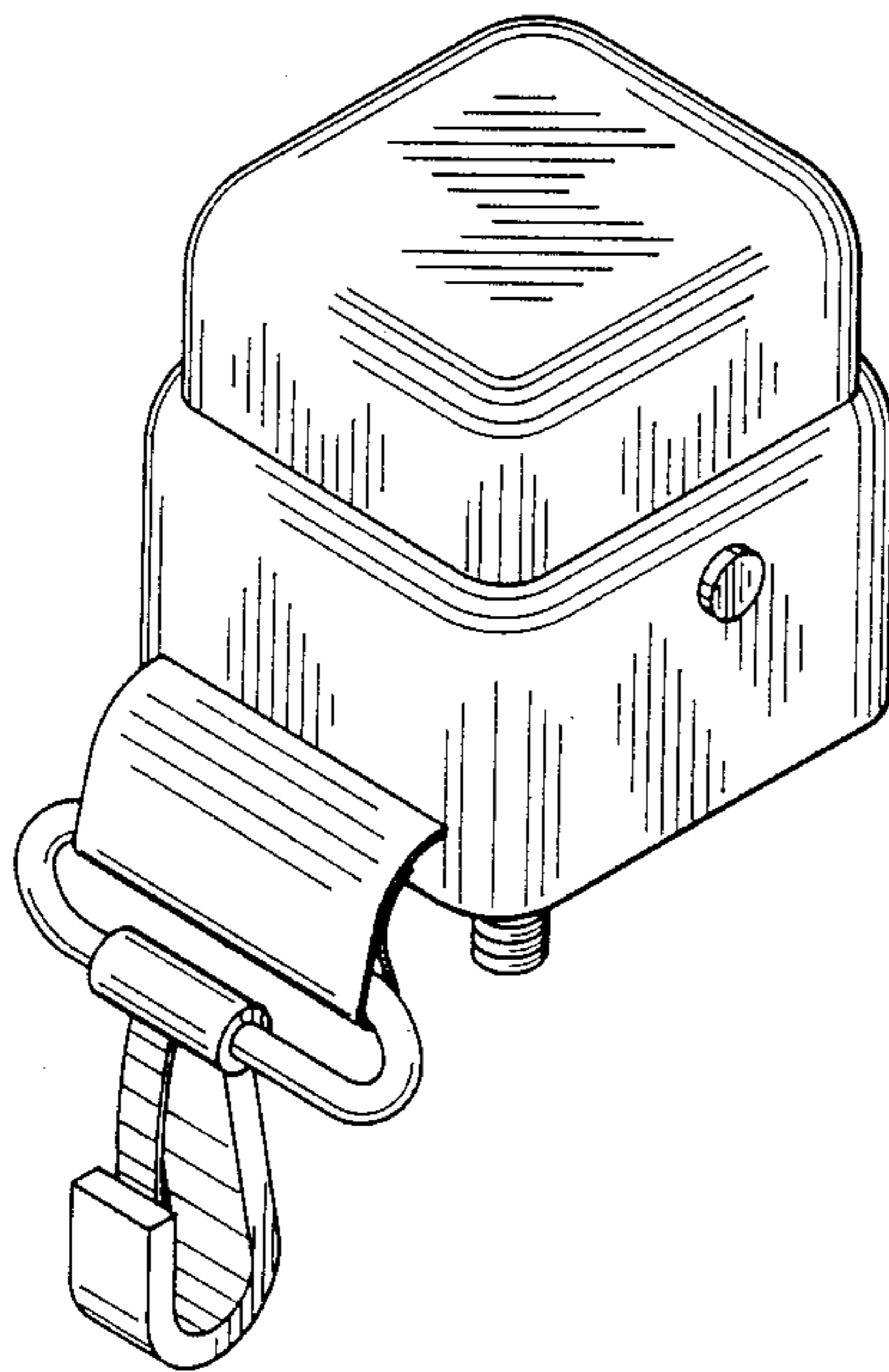
*Primary Examiner—A. Hugo Word  
Assistant Examiner—Ruth McInroy  
Attorney, Agent, or Firm—Jerry T. Kearns*

[57] **CLAIM**

The ornamental design for a recoil safety strap, as shown and described.

**DESCRIPTION**

FIG. 1 is a front elevational view of a recoil safety strap showing my new design;  
FIG. 2 is a rear elevational view thereof;  
FIG. 3 is a left side elevational view thereof;  
FIG. 4 is a right side elevational view thereof;  
FIG. 5 is a top plan view thereof;  
FIG. 6 is a bottom plan view thereof; and,  
FIG. 7 is a perspective view thereof.



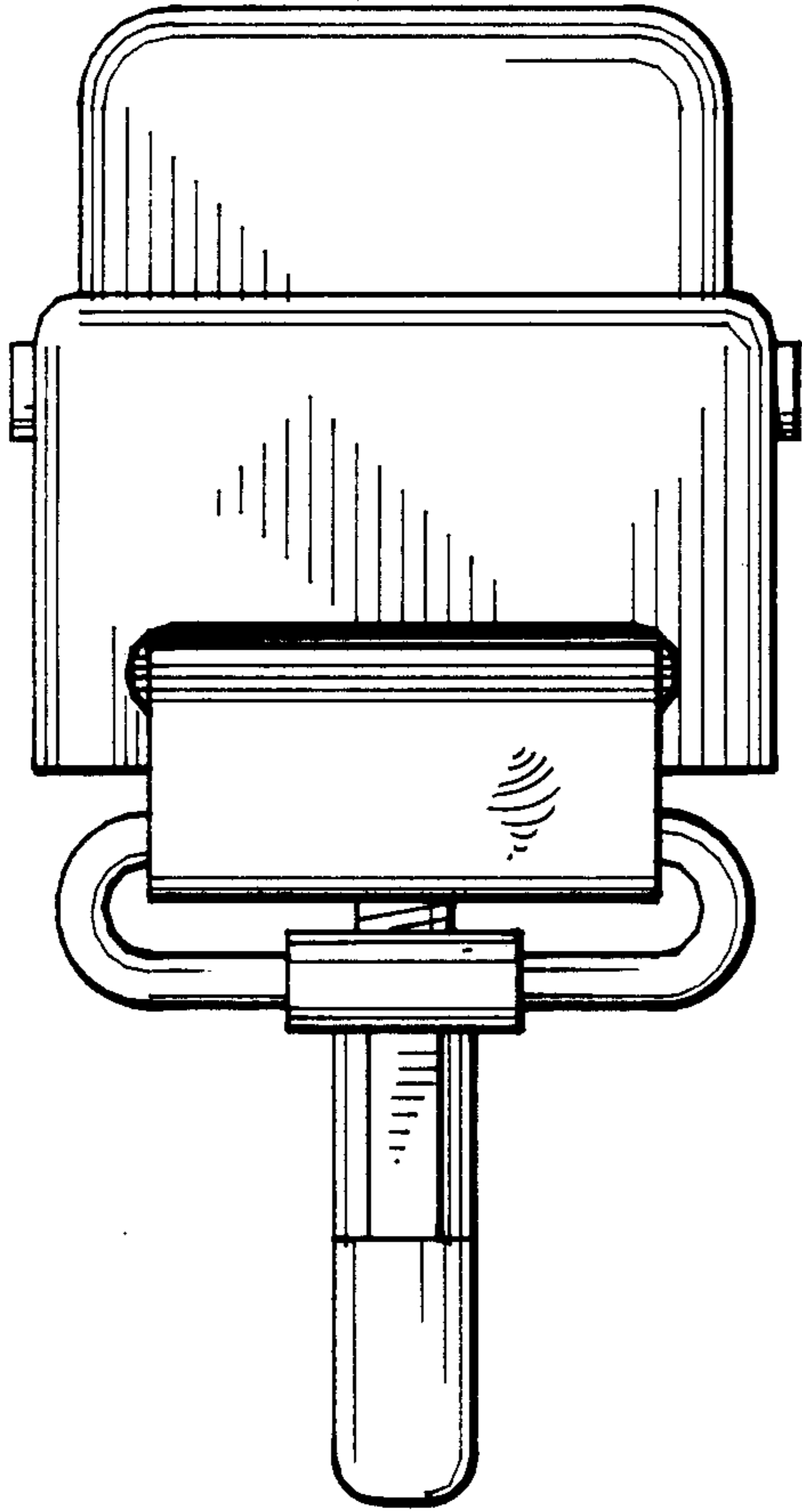


Fig. 1

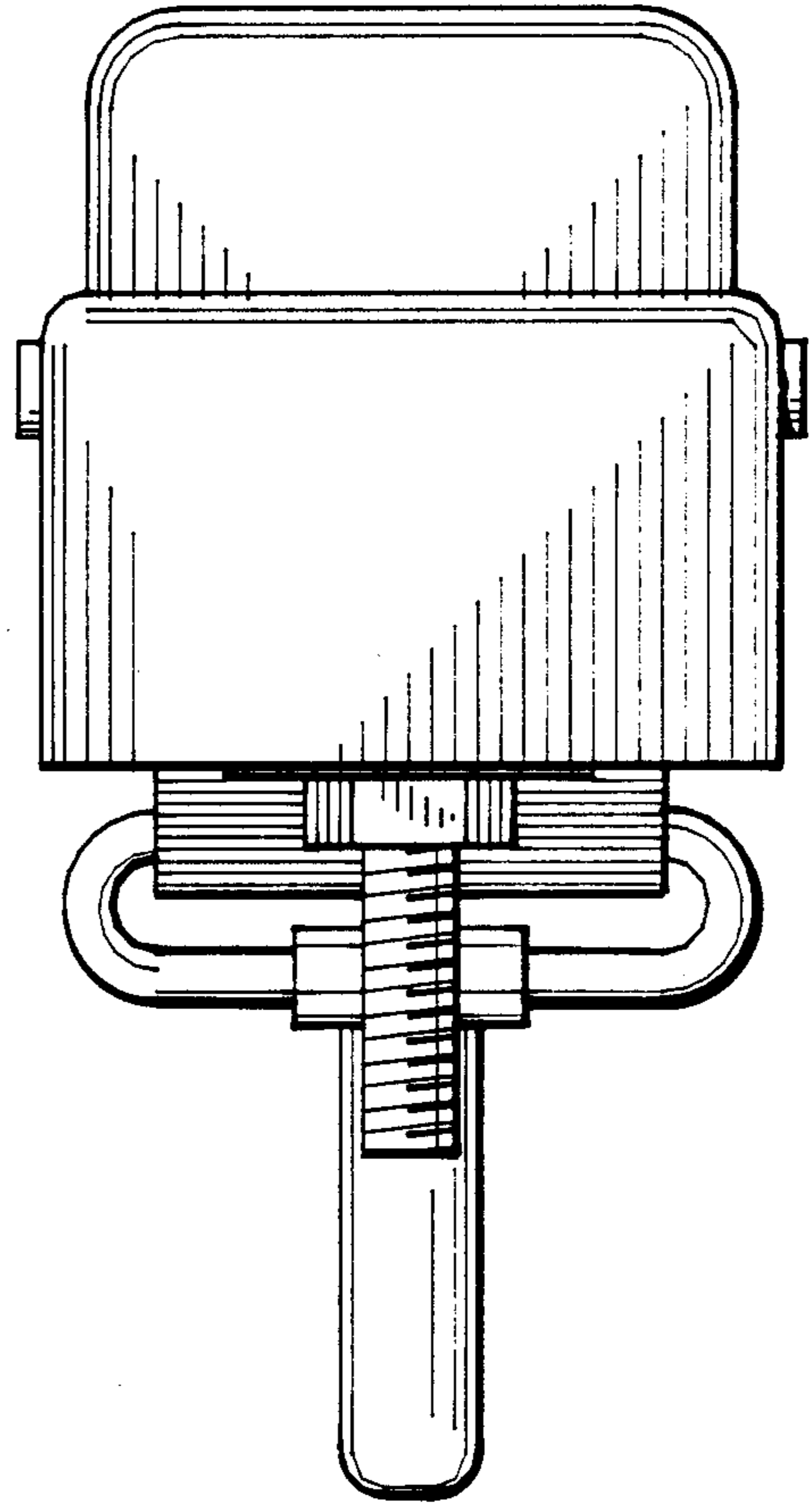


Fig. 2

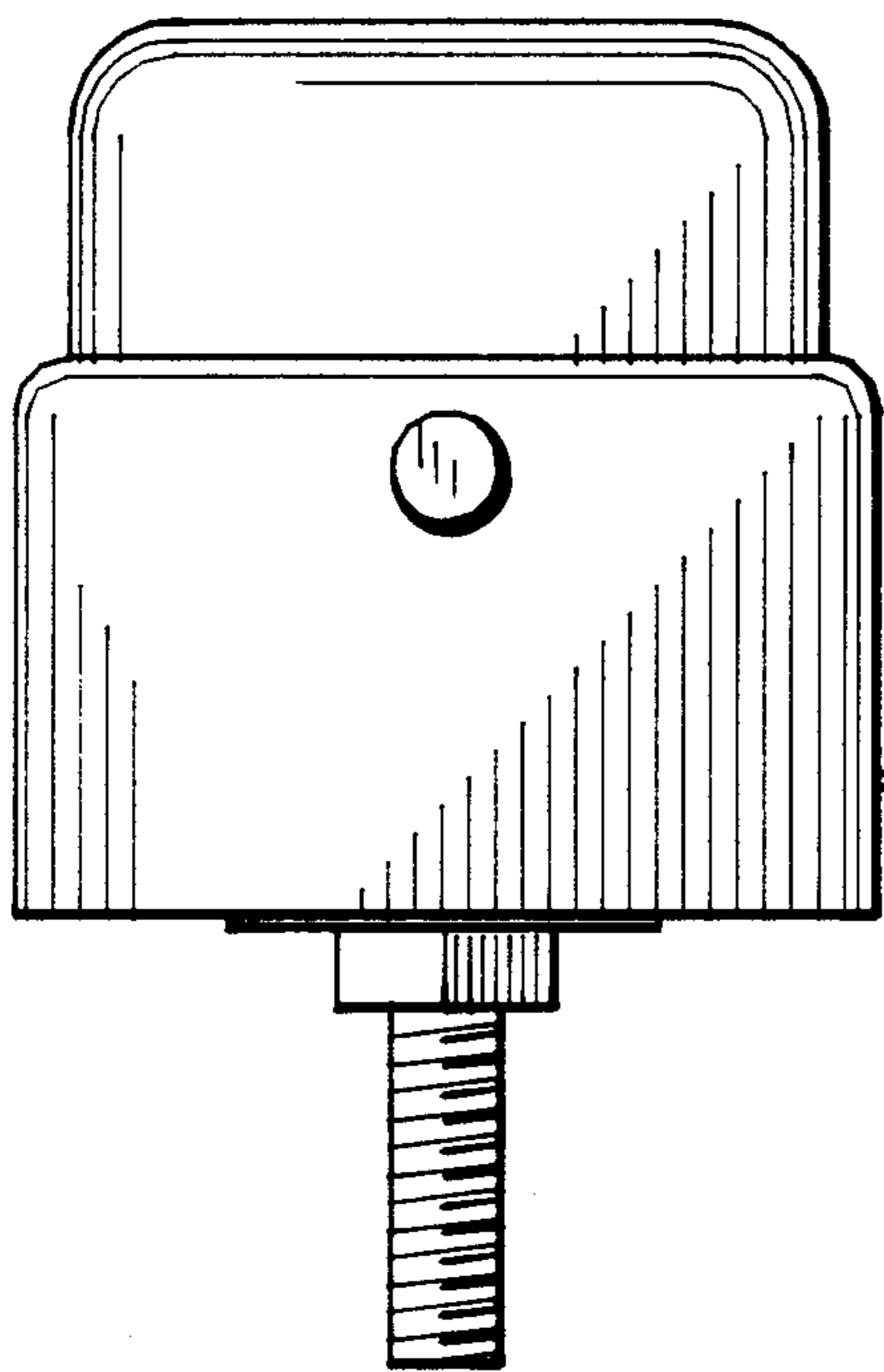


Fig. 3

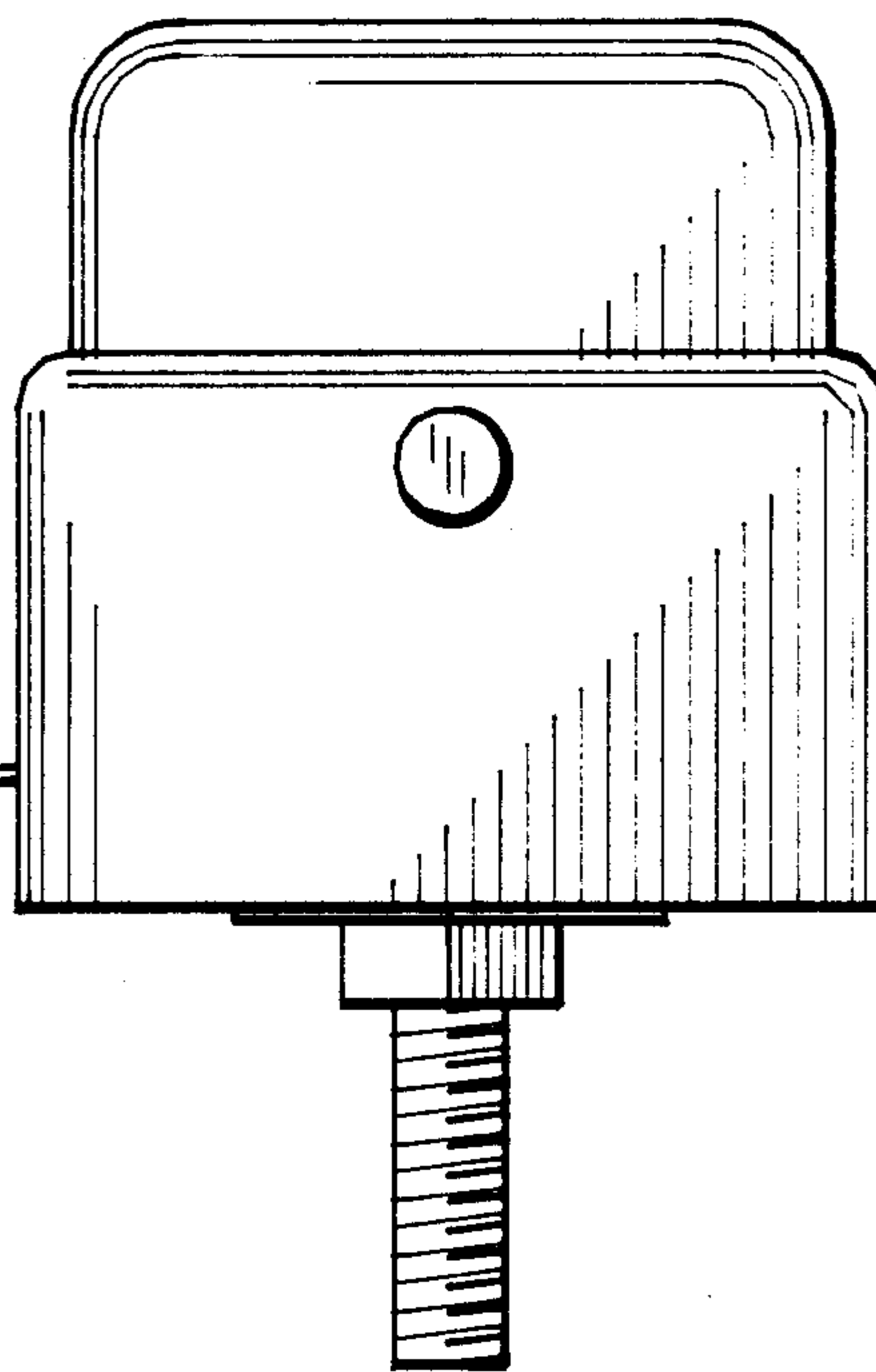


Fig. 4

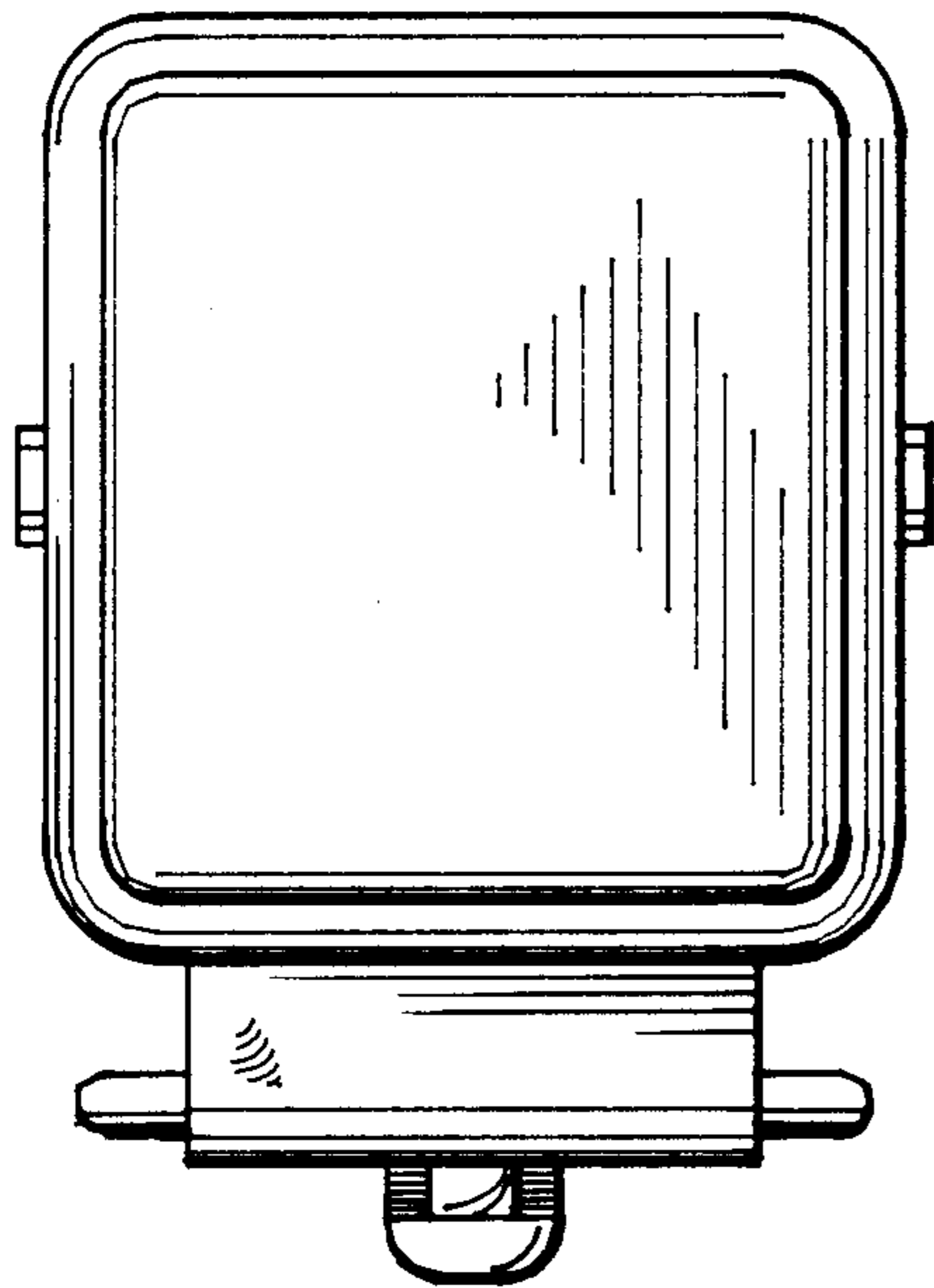


Fig. 5

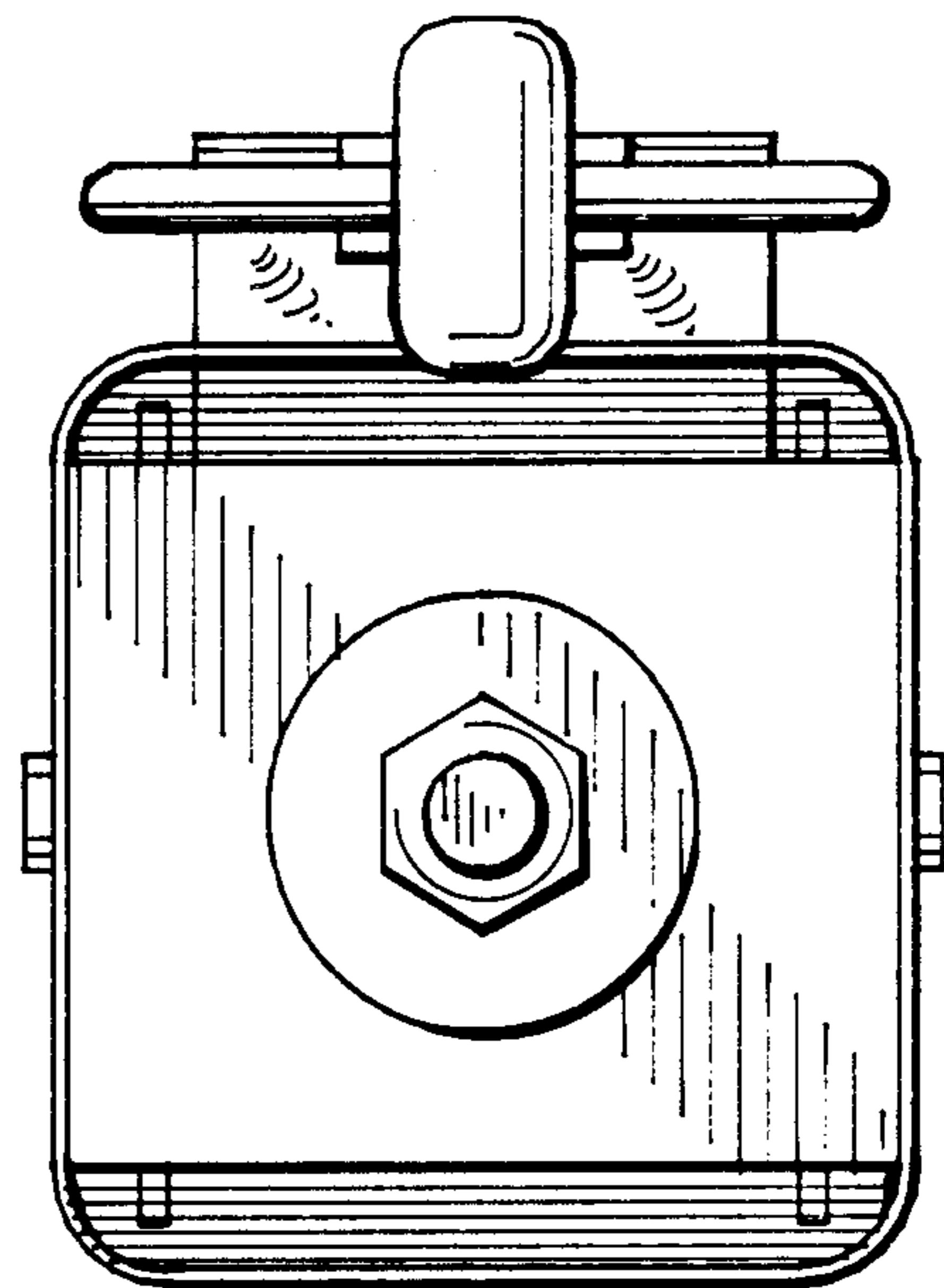


Fig. 6

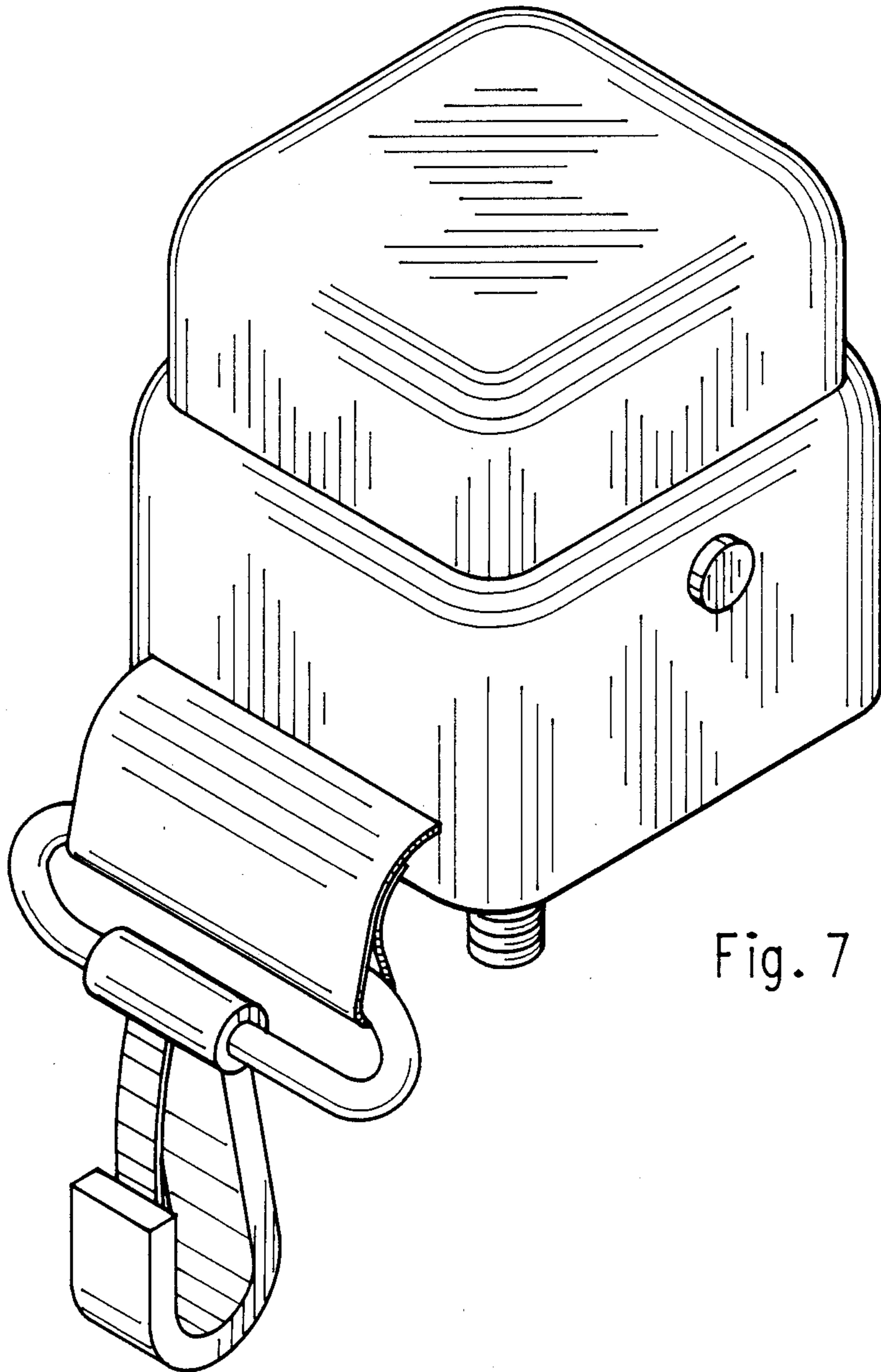


Fig. 7