

[54] WALL-MOUNTED BICYCLE STORAGE RACK

[75] Inventors: Steven W. Martinell, Vancouver, Wash.; Henry Y. Chin, Beaverton, Oreg.

[73] Assignee: Racor, Inc., Portland, Oreg.

[\*\*] Term: 14 Years

[21] Appl. No.: 294,176

[22] Filed: Jan. 6, 1989

[52] U.S. Cl. .... D12/115; D6/552

[58] Field of Search ..... D12/158, 115, 16, 157; 224/32 R, 32 A, 35, 39; 211/18, 19, 70.2; D6/552, 560

[56] References Cited

U.S. PATENT DOCUMENTS

D. 299,100	12/1988	Martinell et al. ....	D6/552
615,656	9/1898	Martin .....	211/18
3,770,133	11/1973	Rolker .....	211/19

3,907,113	9/1975	Kropelnitski .....	211/19
4,352,432	10/1982	Smith .....	211/19
4,392,572	7/1983	Bernard .....	211/19
4,416,379	11/1983	Graber .....	211/19

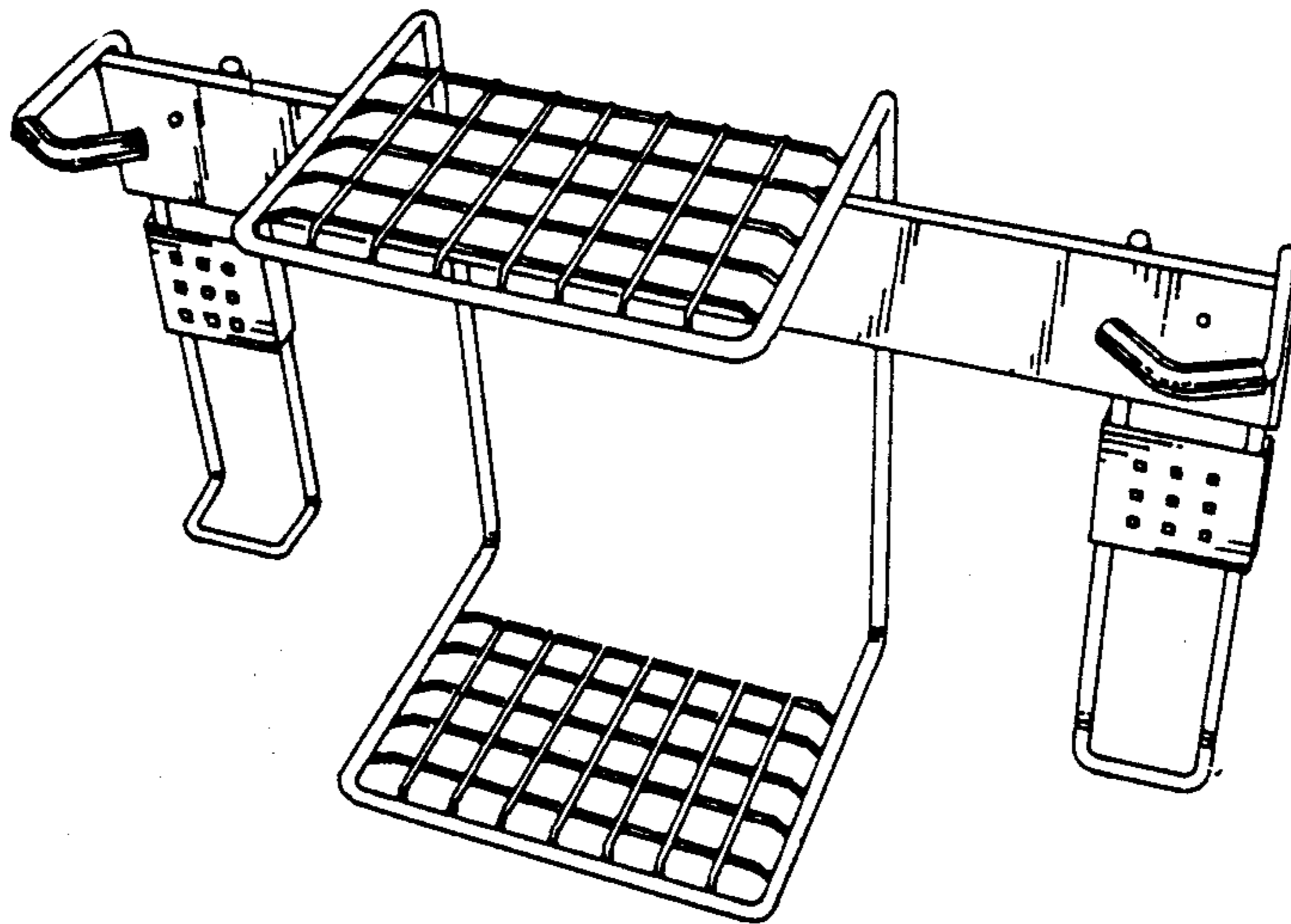
Primary Examiner—James M. Gandy  
Assistant Examiner—Melody Brown  
Attorney, Agent, or Firm—Chernoff, Vilhauer, McClung & Stenzel

[57] CLAIM

The ornamental design for a wall-mounted bicycle storage rack, as shown.

DESCRIPTION

FIG. 1 is a top, front perspective view of the wall-mounted bicycle storage rack showing our new design. FIG. 2 is a front elevational view thereof. FIG. 3 is a rear elevational view thereof. FIG. 4 is a top plan view thereof. FIG. 5 is a bottom plan view thereof. FIG. 6 is a side elevational view thereof, the opposite side being a mirror image.



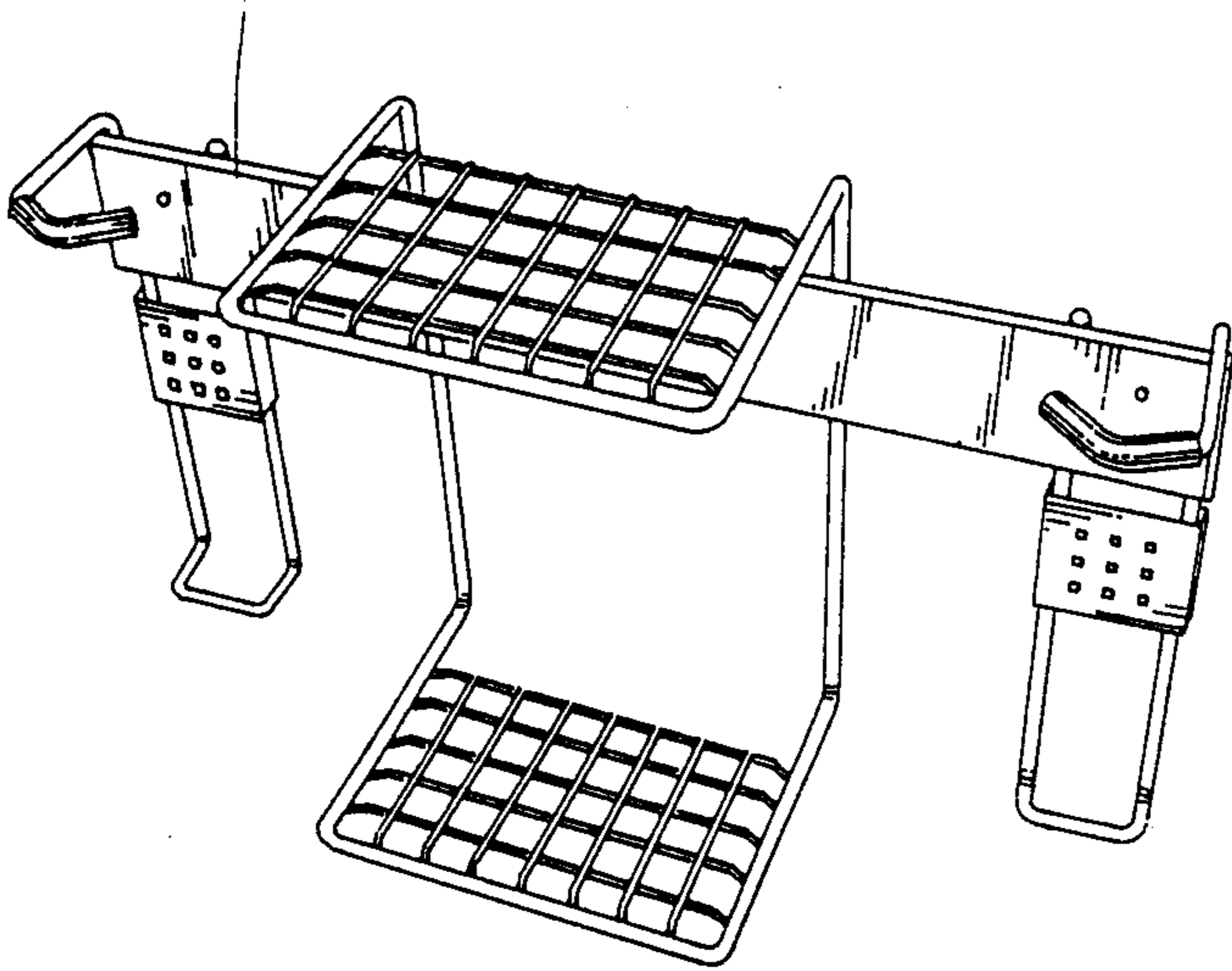


FIG. 1

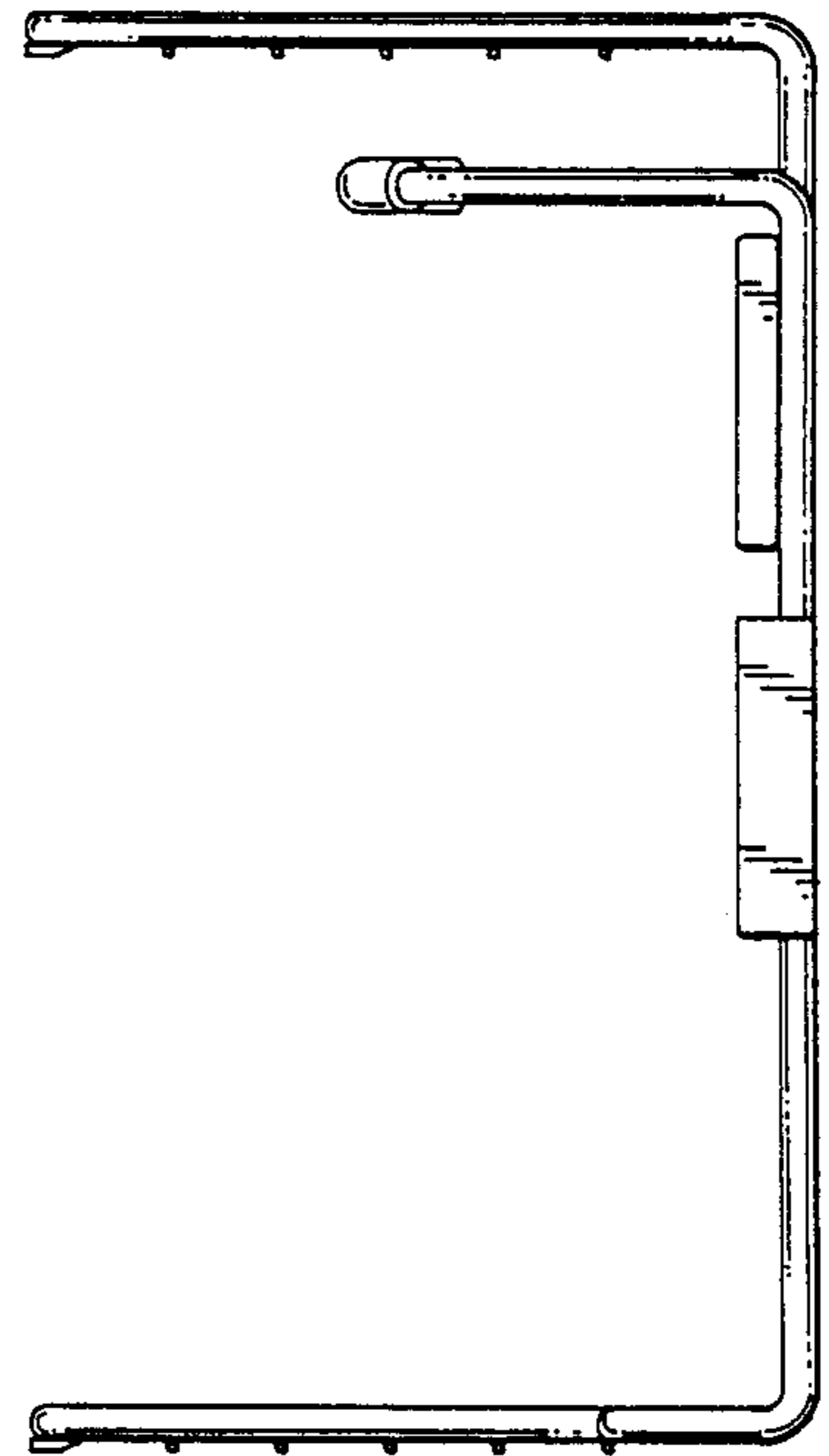


FIG. 6

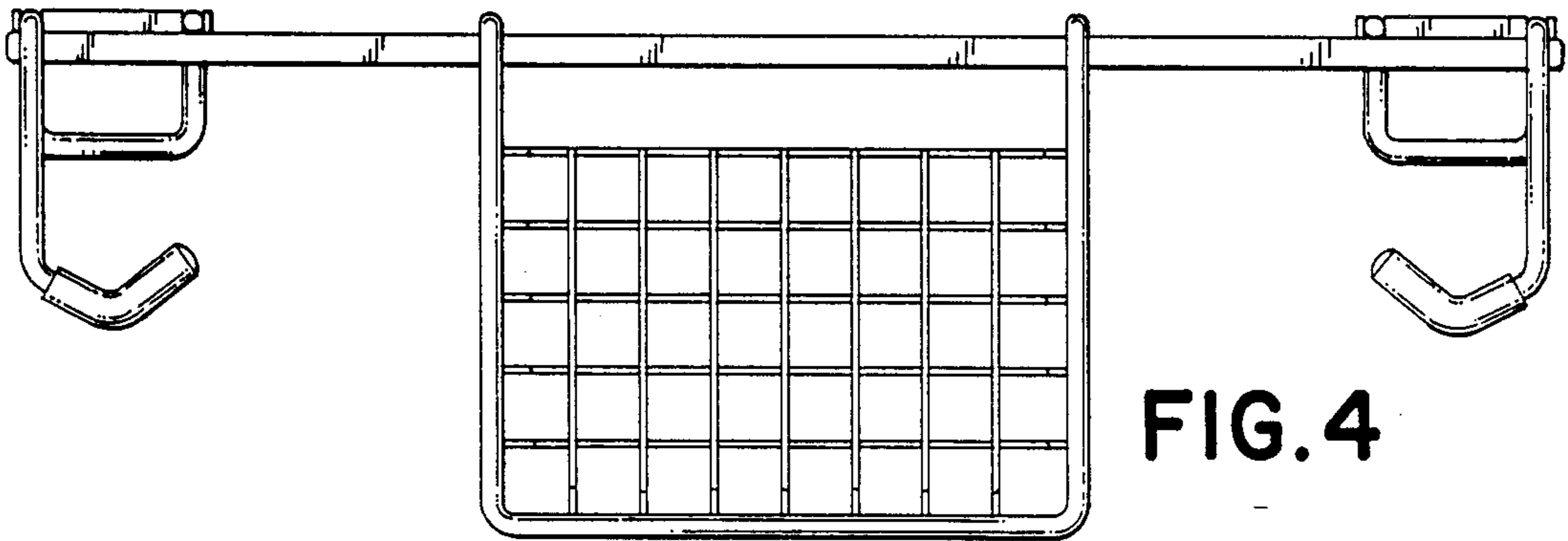


FIG. 4

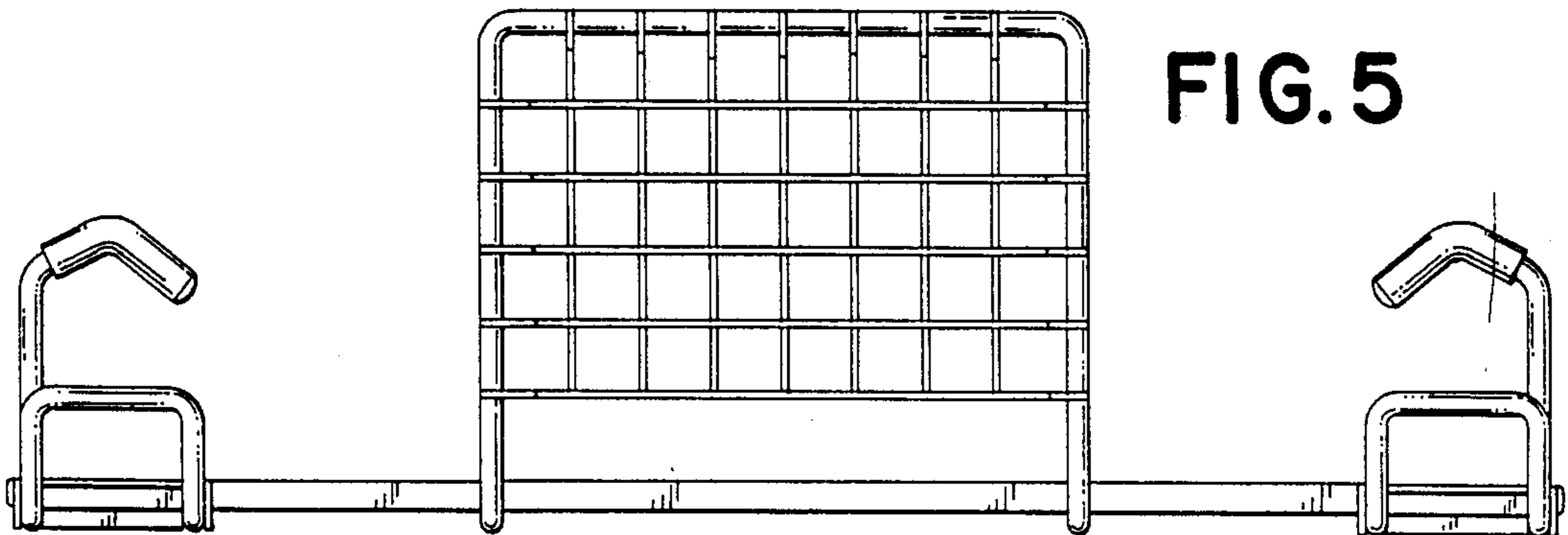


FIG. 5

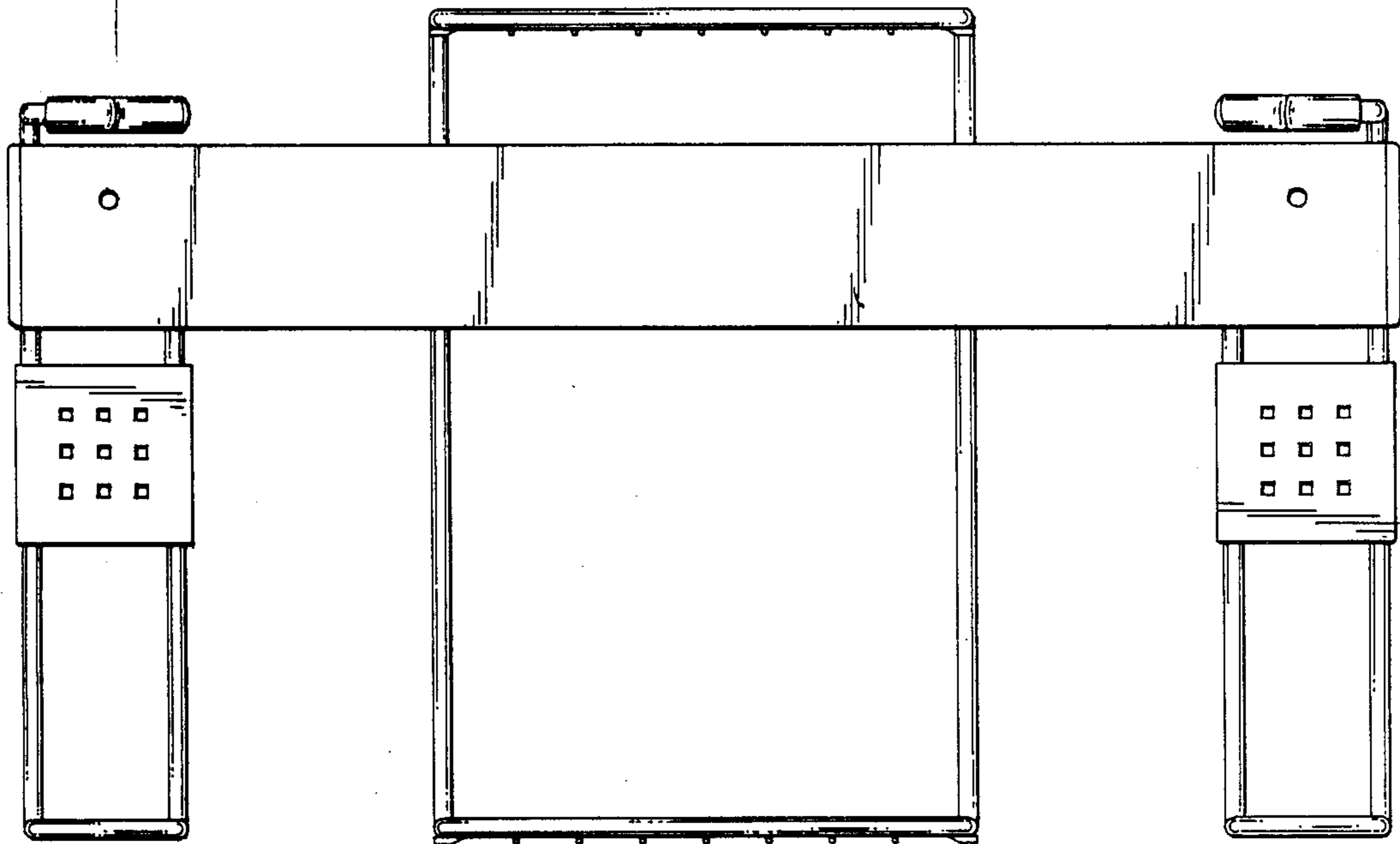


FIG. 2

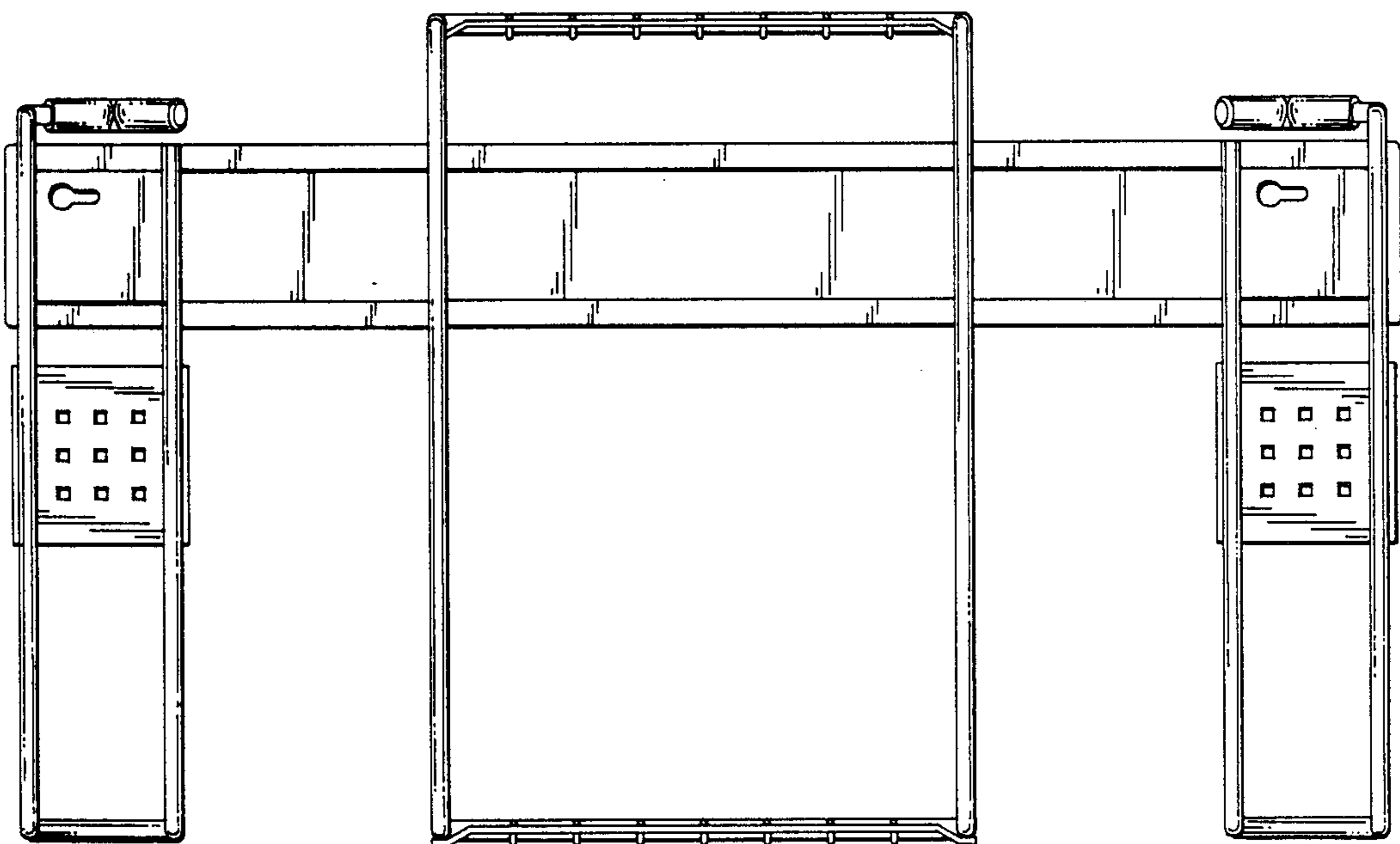


FIG. 3