

[54] **IMPACT SOFTENING UNIT FOR ATTACHMENT TO THE DRAW BAR OF A TRAVEL TRAILER**

3,779,579 12/1973 Ostwald 280/475
 3,869,149 3/1975 Dixon 280/475
 3,889,981 6/1975 Westford 280/475
 4,779,889 10/1988 Morrison 280/475

[76] **Inventors: Donald R. Hoyt; J. W. Hoyt, both of 13806 Windmill Cir., Pflugerville, Tex. 78660**

Primary Examiner—James M. Gandy
Attorney, Agent, or Firm—Jerry T. Kearns

[**] **Term: 14 Years**

[57] **CLAIM**

[21] **Appl. No.: 266,143**

The ornamental design for an impact softening unit for attachment to the draw bar of a travel trailer, as shown and described.

[22] **Filed: Nov. 3, 1988**

[52] **U.S. Cl. D12/106**

DESCRIPTION

[58] **Field of Search D12/167, 106; 293/102, 293/103; 280/475, 507**

FIG. 1 is a front elevational view of an impact softening unit for attachment to the draw bar of a travel trailer showing my new design;

[56] **References Cited**

U.S. PATENT DOCUMENTS

D. 223,341 4/1972 Houger D12/106
 3,348,861 10/1967 Curtis et al. 280/475
 3,458,068 7/1969 Scott 280/475
 3,612,506 10/1971 Malherbe 293/102
 3,661,359 5/1972 Walker 293/102
 3,709,522 1/1973 Olson 280/507

FIG. 2 is a rear elevational view thereof;

FIG. 3 is a cross-sectional view taken along line 3—3 of FIG. 5;

FIG. 4 is a right side elevational view thereof; the left side being a mirror image of that shown;

FIG. 5 is a top plan view thereof; and,

FIG. 6 is a bottom plan view thereof.

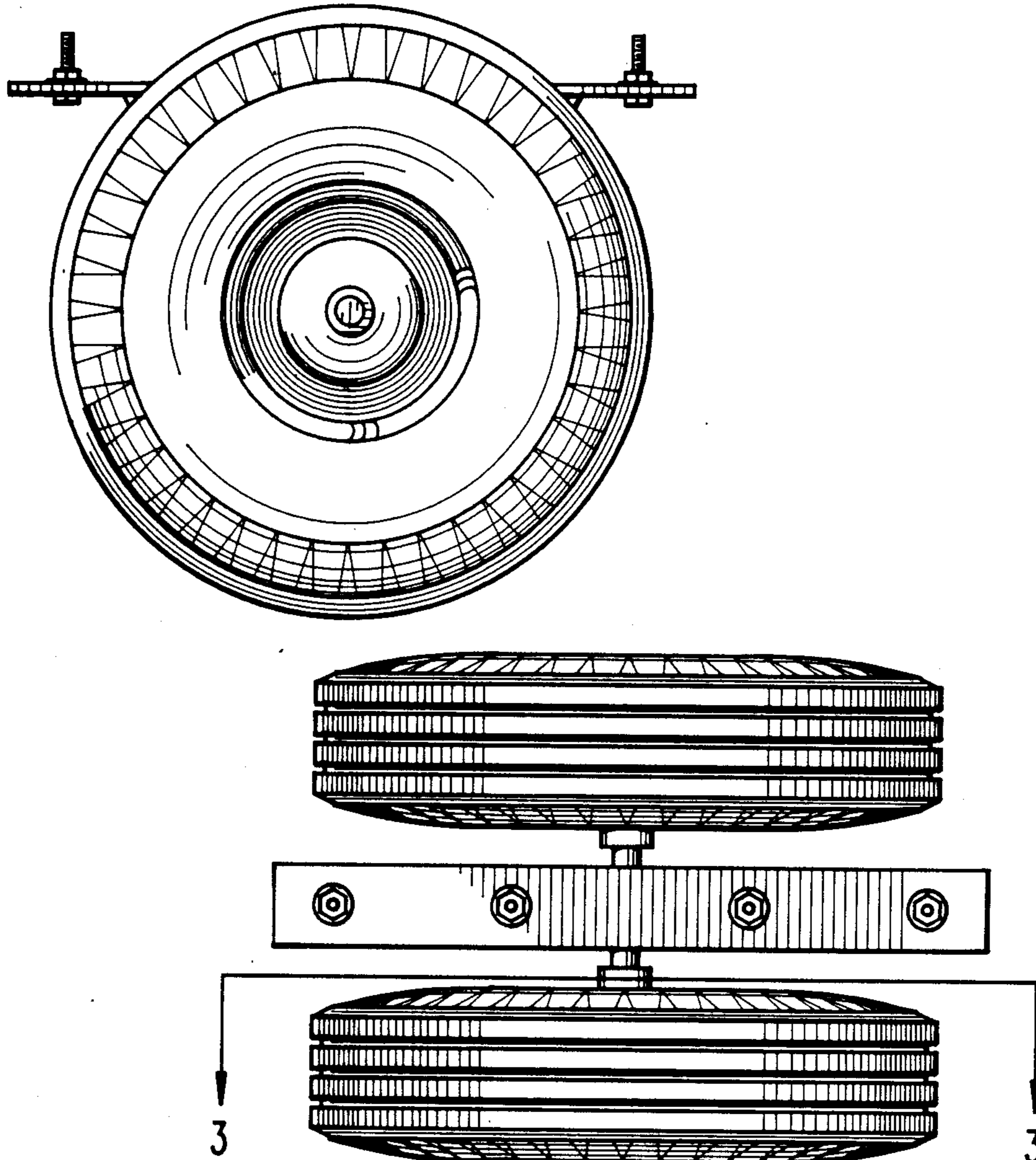


Fig. 1

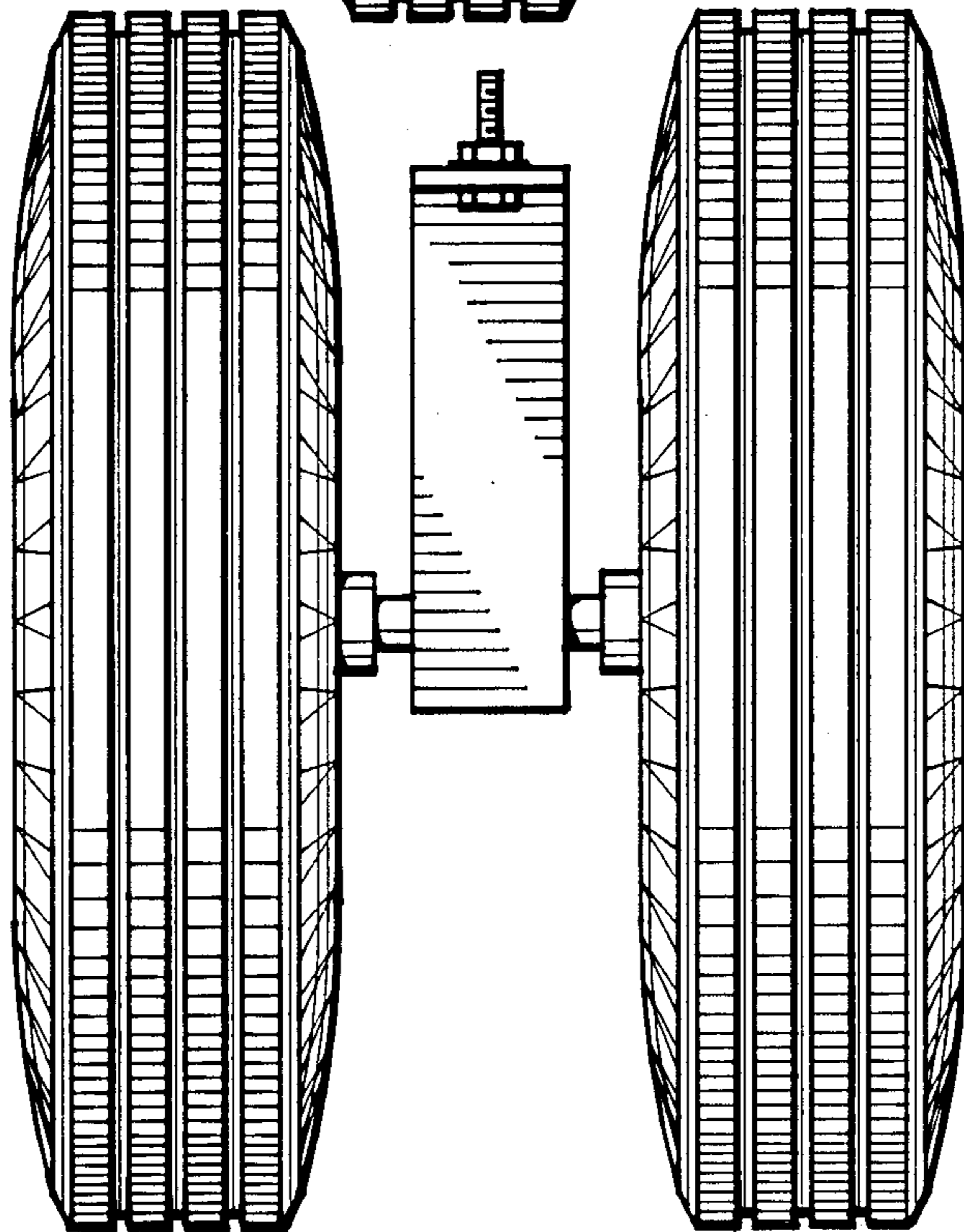
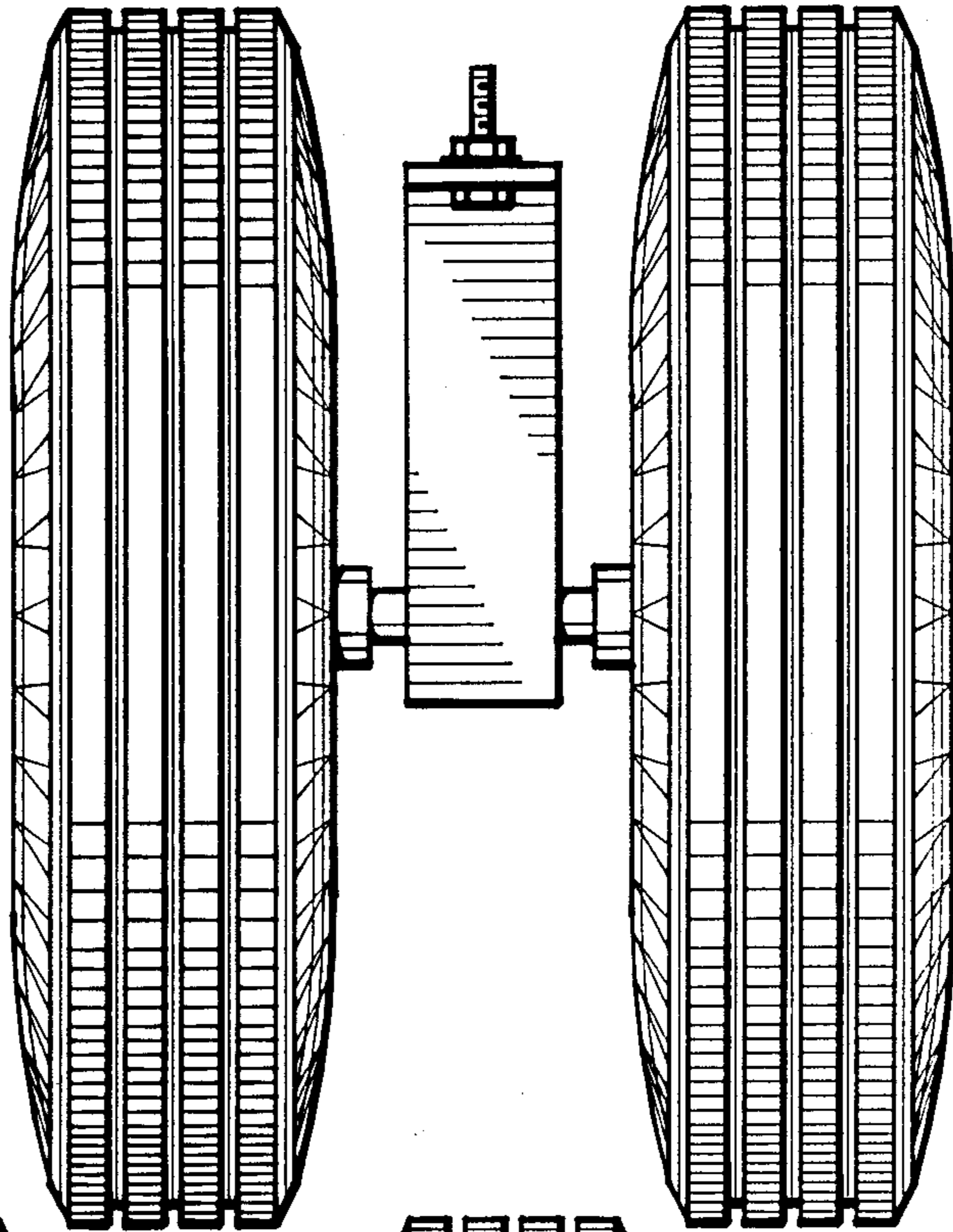


Fig. 2

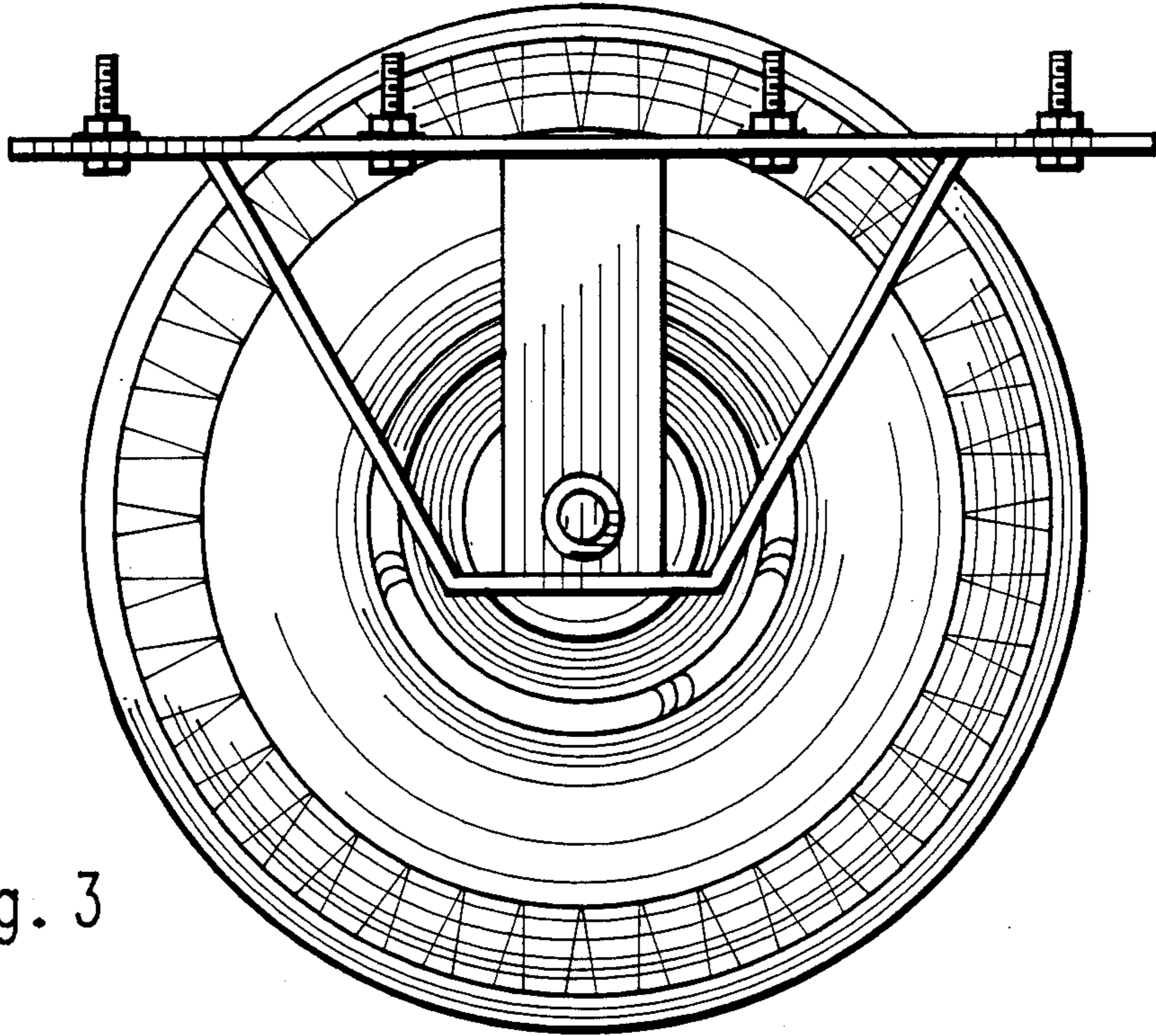


Fig. 3

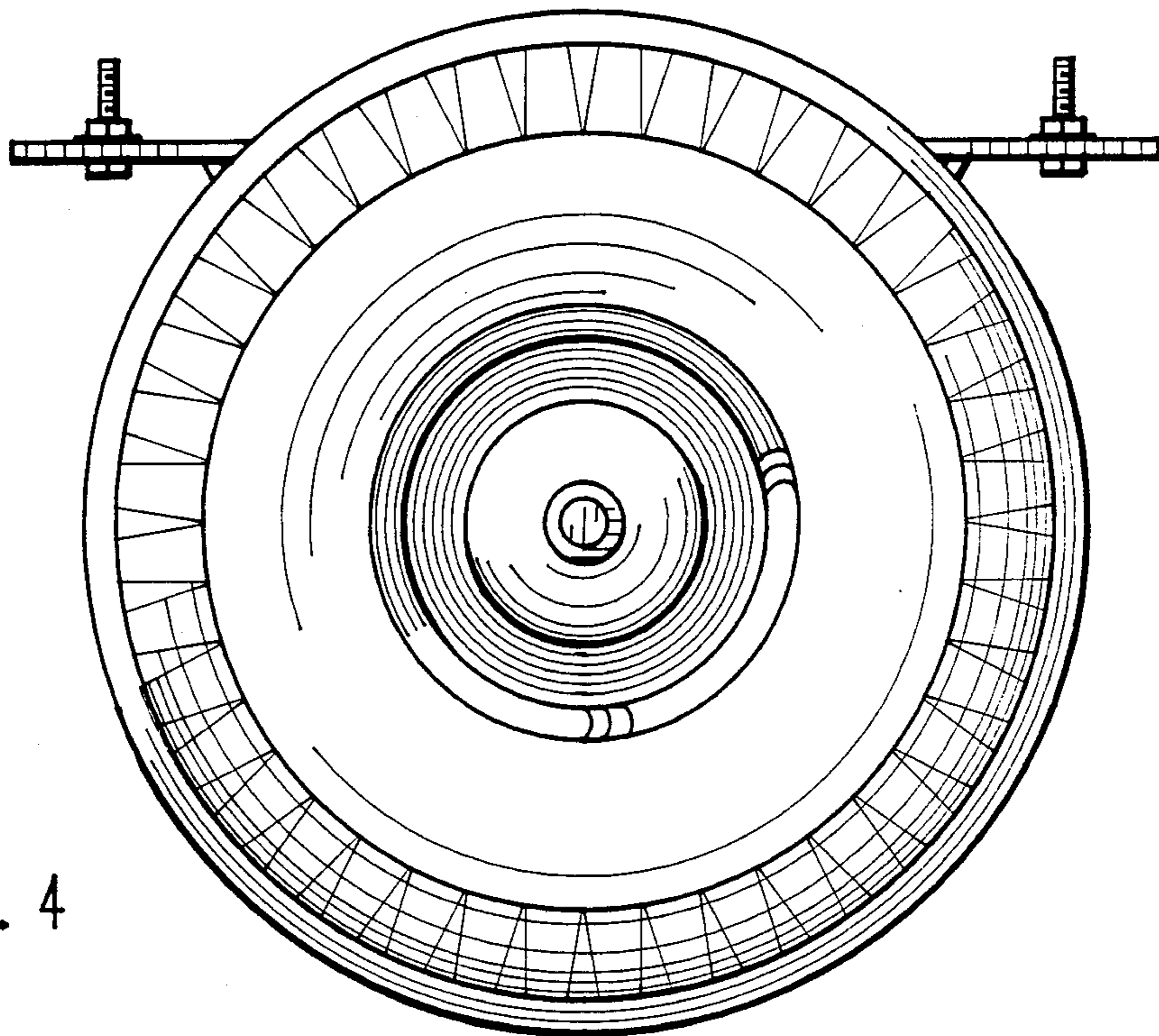


Fig. 4

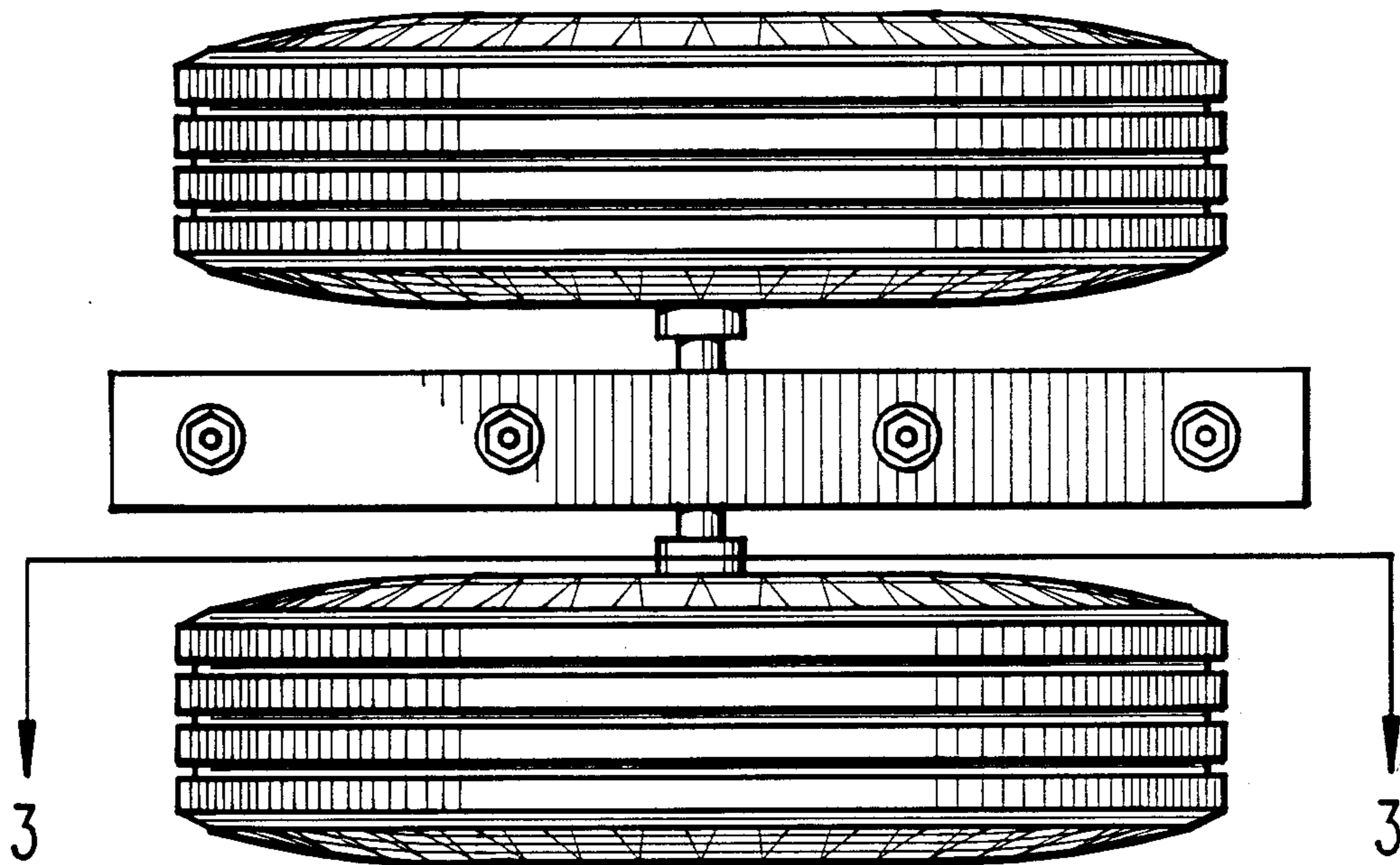


Fig. 5

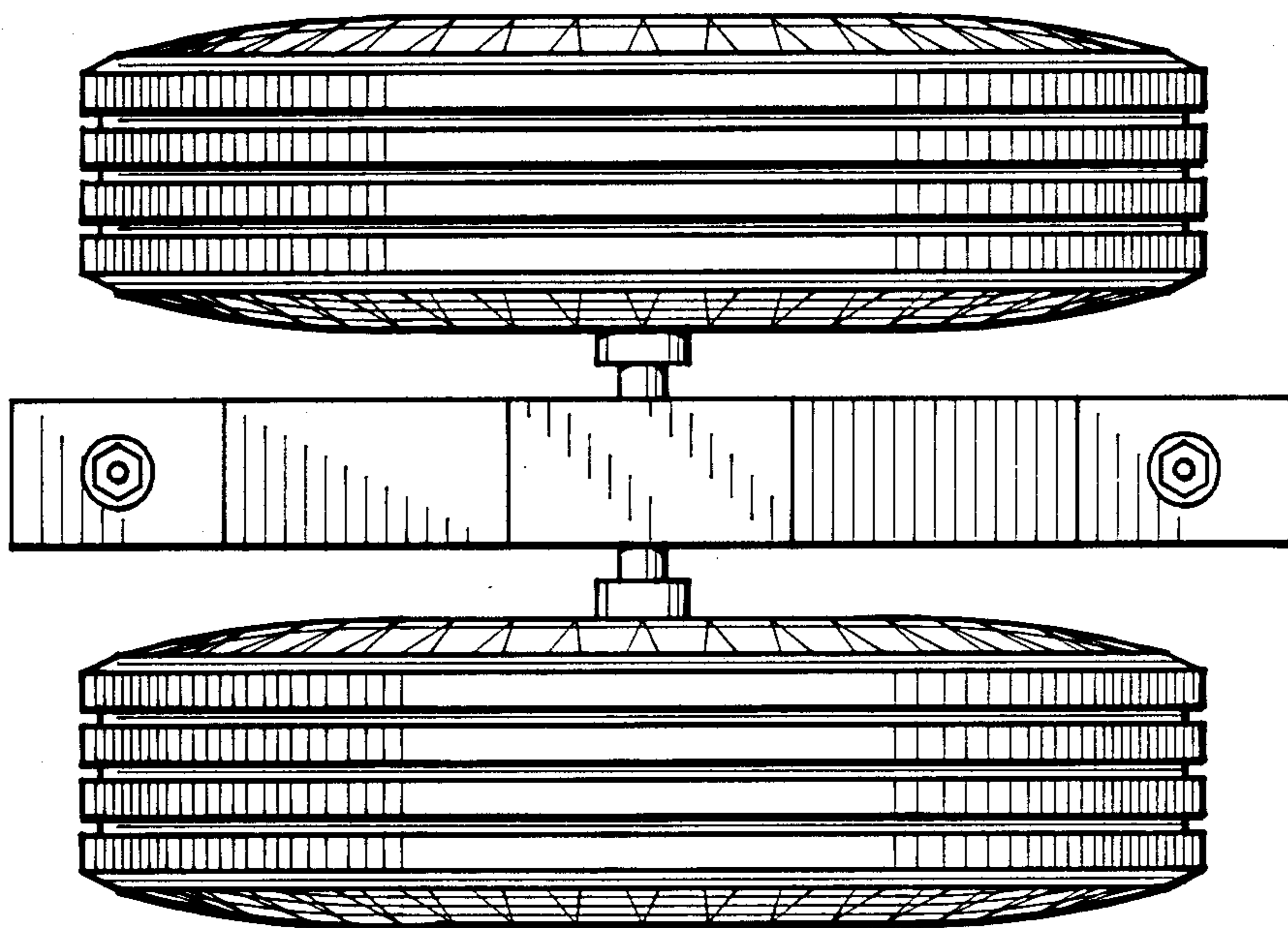


Fig. 6