

[54] DIGITAL READOUT TORQUE TESTER

[76] Inventor: Thomas M. McDevitt, 4009 Beechway Blvd., Toledo, Ohio 43614

[\*\*] Term: 14 Years

[21] Appl. No.: 182,047

[22] Filed: Apr. 18, 1988

[52] U.S. Cl. .... D10/83

[58] Field of Search ..... D10/78, 83, 84, 85, D10/86; 73/1 C, 862.08, 862.17; 81/52, 467, 473; 310/40 R, 92, 103

[56] References Cited

U.S. PATENT DOCUMENTS

D. 204,560	4/1966	Merl	.....	D10/75 X
2,706,903	4/1955	Livermont	.....	73/1 C
3,011,332	12/1961	Skidmore	.....	73/1 C
3,079,785	3/1963	Livermont	.....	73/1 C

3,491,579	1/1970	Able	.....	73/1 C
4,761,989	8/1988	McDevitt	.....	73/1 C

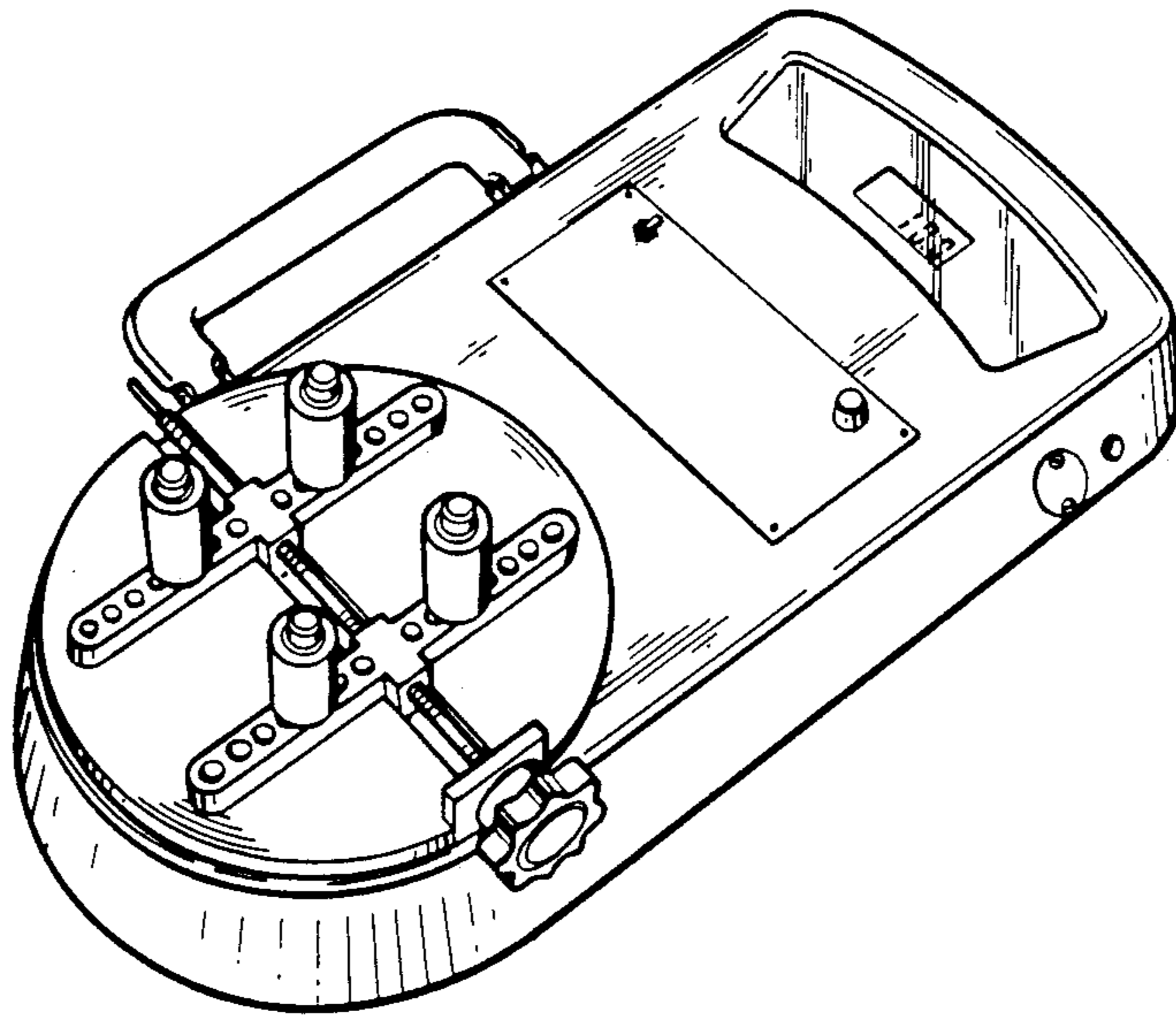
Primary Examiner—Nelson C. Holtje  
Assistant Examiner—Antoine D. Davis  
Attorney, Agent, or Firm—Thomas A. Meehan

[57] CLAIM

The ornamental design for a digital readout torque tester, as shown and described.

DESCRIPTION

FIG. 1 is a top plan view of a digital readout torque tester showing my new design;  
FIG. 2 is a bottom plan view;  
FIG. 3 is a top, front, and right side perspective view, shown on a reduced scale;  
FIG. 4 is a left side elevational view;  
FIG. 5 is a right side elevational view;  
FIG. 6 is a rear elevational view; and  
FIG. 7 is a front elevational view thereof.



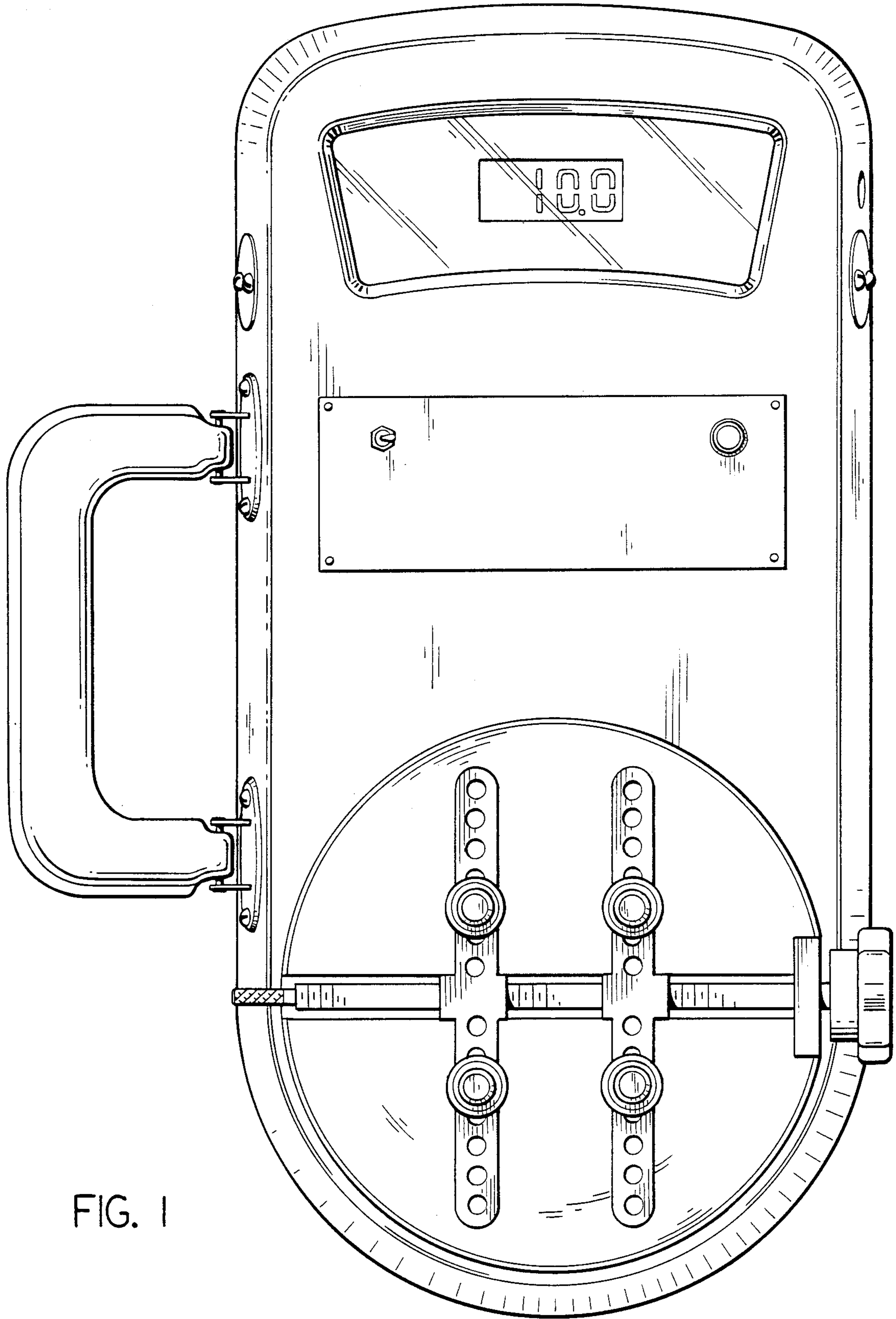


FIG. 1

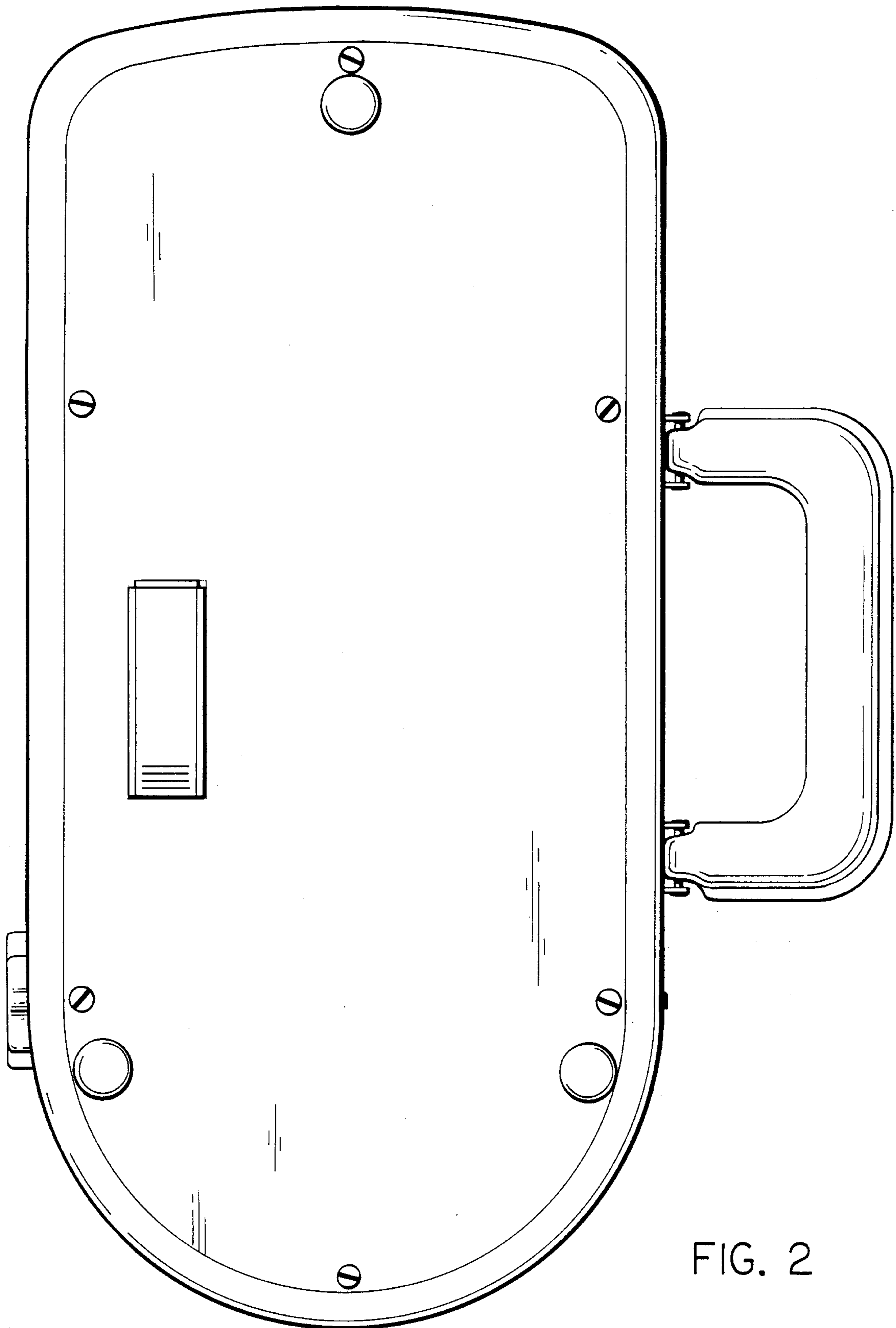


FIG. 2

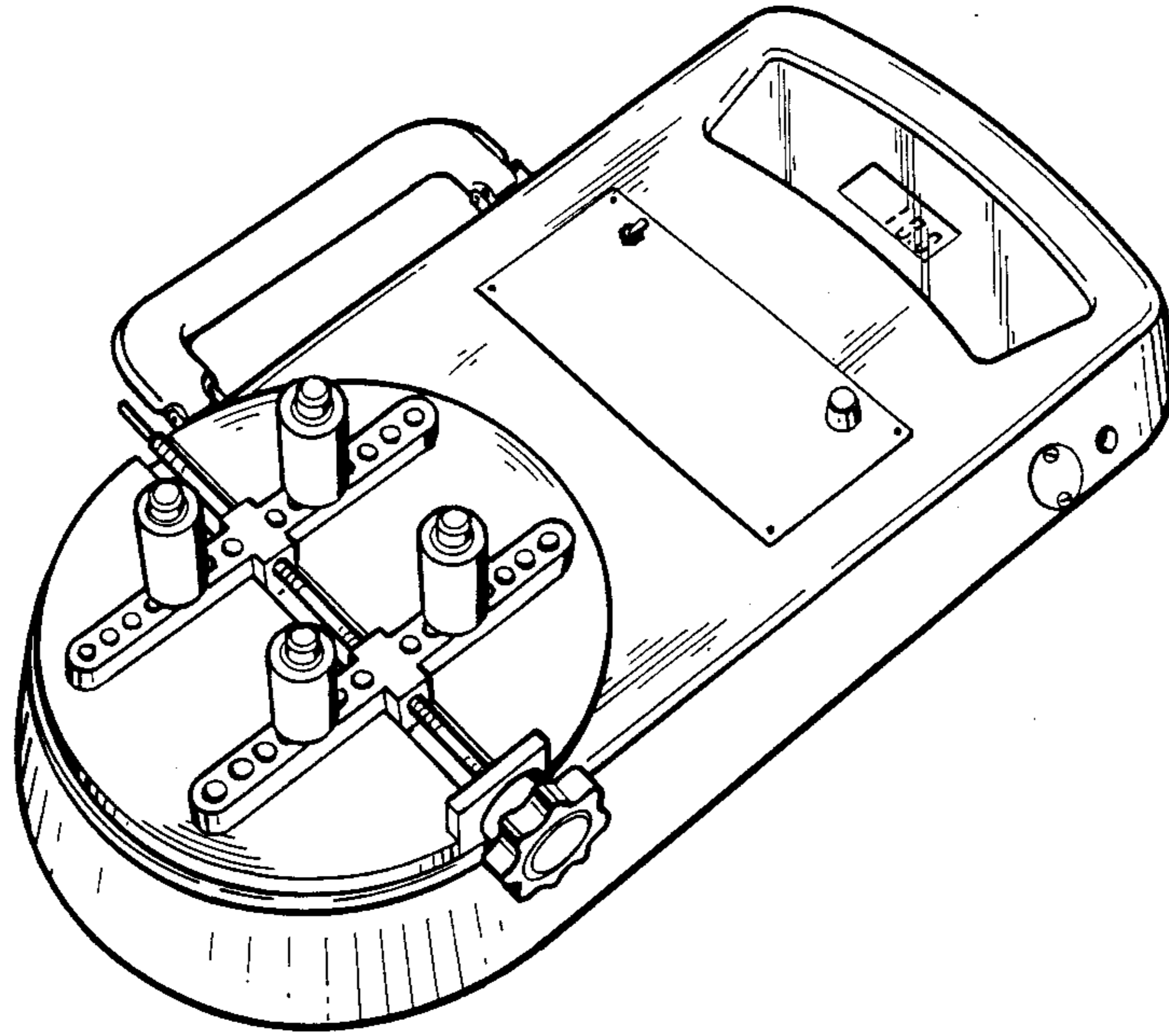


FIG. 3

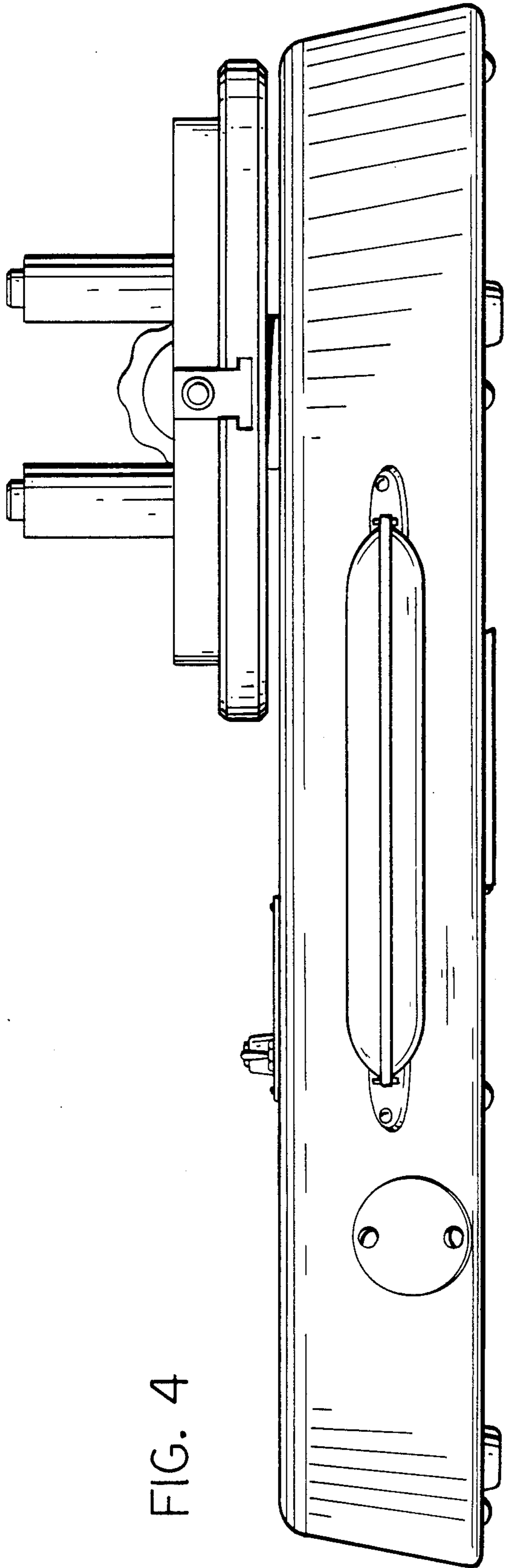


FIG. 4

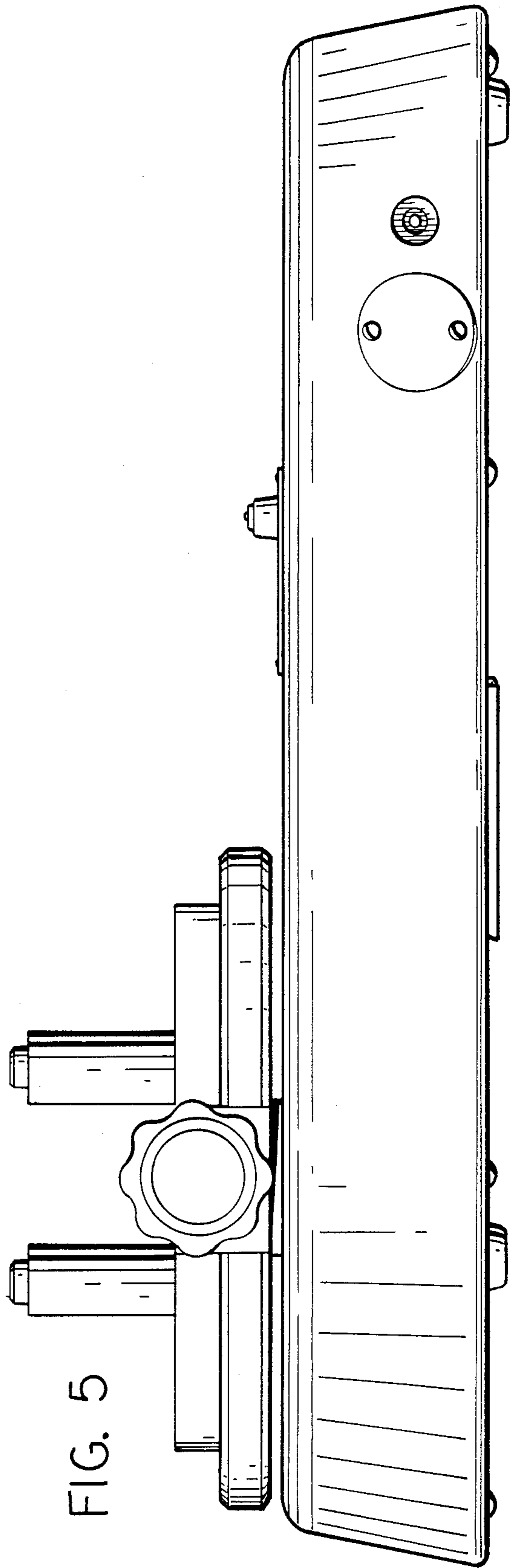


FIG. 5



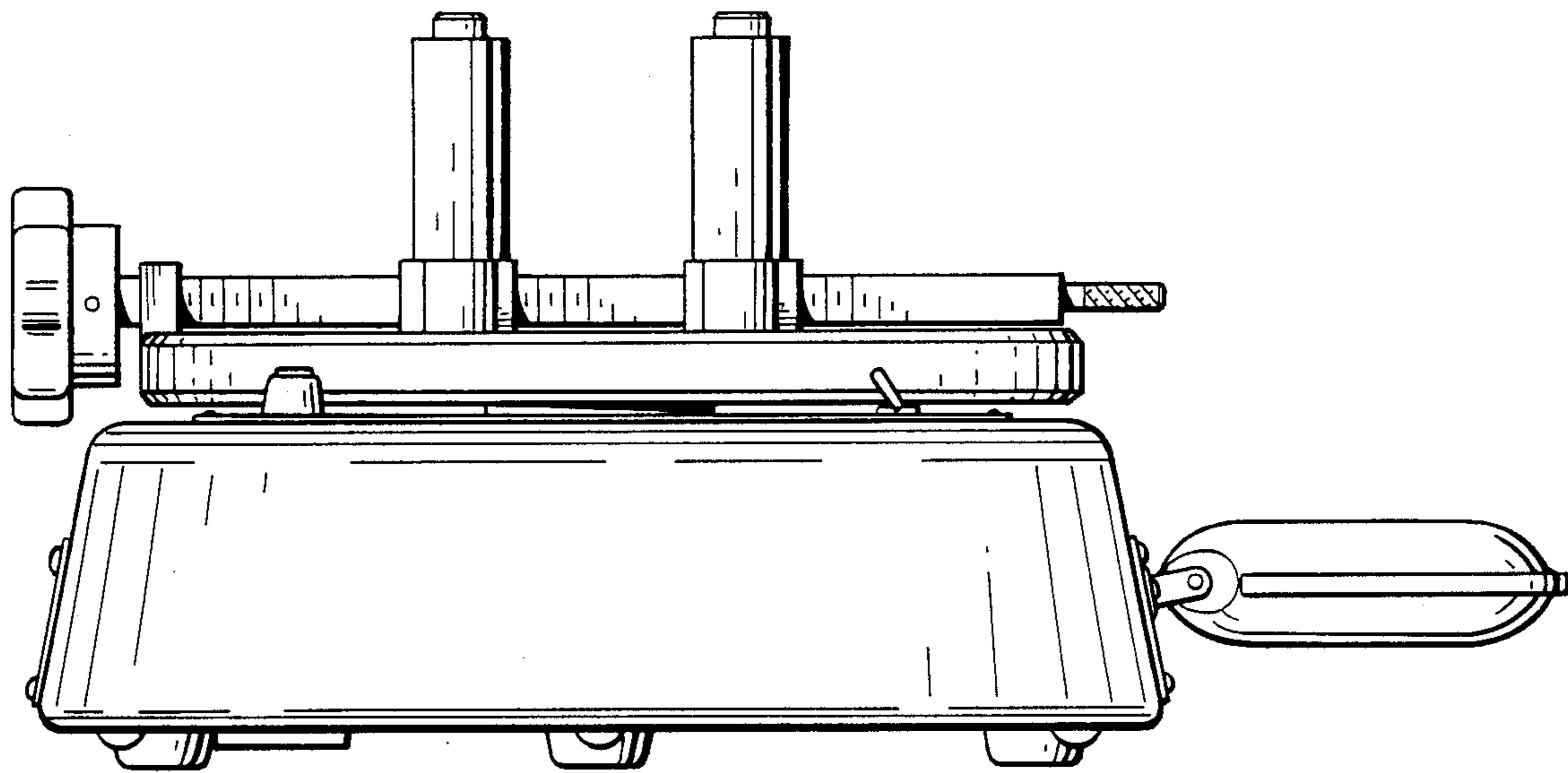


FIG. 7

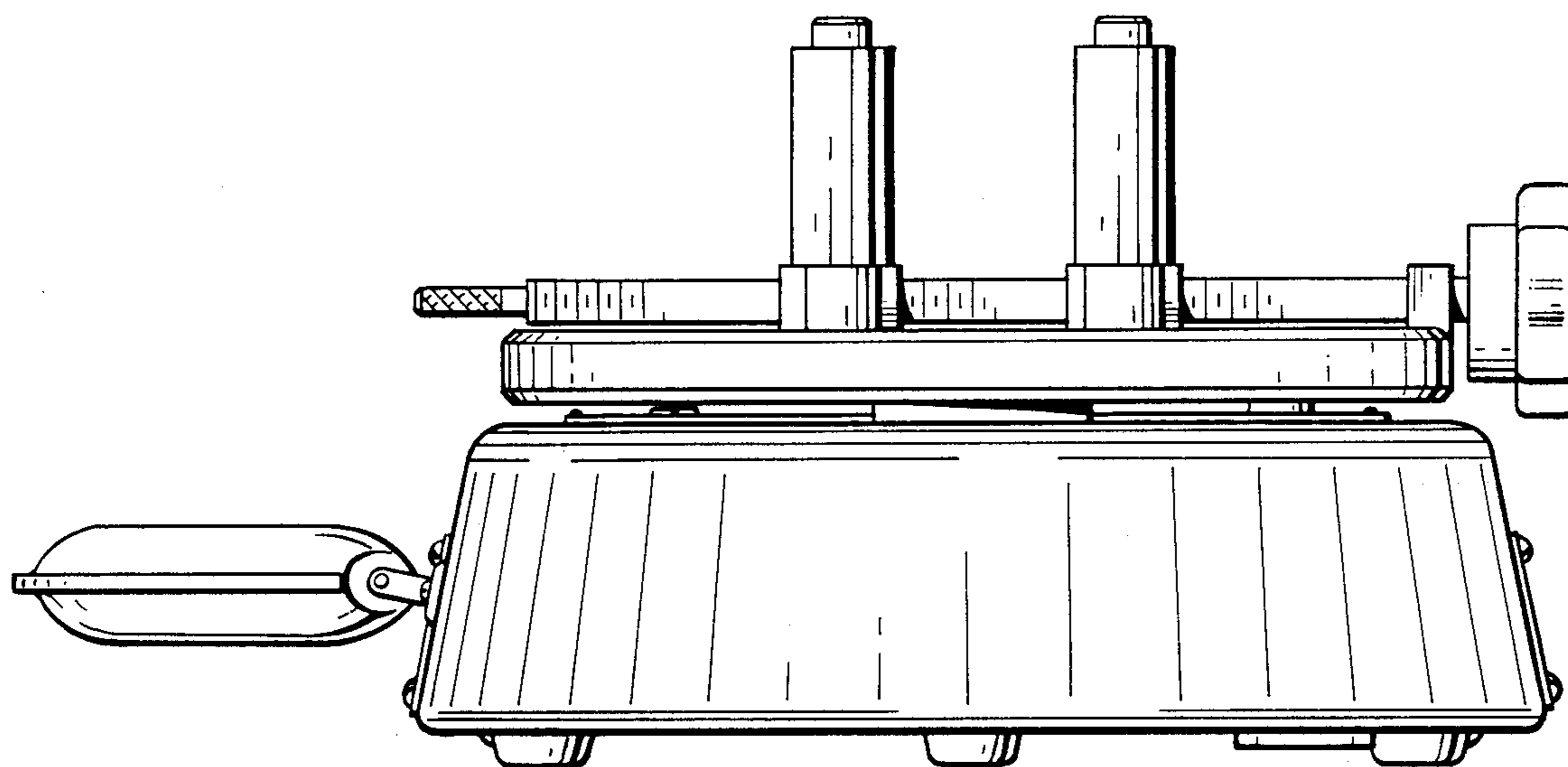


FIG. 6