

[54] **MAGNETIC ATTACHMENT FOR TAPE MEASURE**

[76] **Inventor: Marko Makar, 7-7883 Knight Street, Vancouver, British Columbia V5P 2X5, Canada**

[**] **Term: 14 Years**

[21] **Appl. No.: 151,078**

[22] **Filed: Feb. 2, 1988**

[52] **U.S. Cl. D10/72**

[58] **Field of Search D9/434, 447, 452-453; D10/72, 74; D8/330-331, 345, 353, 402; D13/199; D19/82, 86, 90; 33/DIG. 1, 370-371, 376; 211/DIG. 1; 215/228, 250; 248/206.5; 269/8; 292/251.5**

[56] **References Cited**

U.S. PATENT DOCUMENTS

- D. 208,858 10/1967 Smith D8/71
- 2,935,353 5/1960 Loeb 292/251.5
- 3,331,043 7/1967 Orzabal 292/251.5

OTHER PUBLICATIONS

Belwith International, 5/27/90, p. 19; items #P149 & P151.
Home Hardware, 9/1/83, p. 23, items #27, 28, 29.
General Catalog, 12/13/83, p. 16, "Bar Type" (center page).
Amerock, 8/84, p. 39, items #9794, 9783 & 9798.

Primary Examiner—Nelson C. Holtje
Assistant Examiner—Gary D. Watson
Attorney, Agent, or Firm—Fetherstonhaugh & Co.

[57] **CLAIM**

The ornamental design for a magnetic attachment for tape measure, as shown and described.

DESCRIPTION

FIG. 1 is a top and right-front perspective view of a magnetic attachment for tape measure showing my new design;
 FIG. 2 is a right side elevational view;
 FIG. 3 is a front elevational view;
 FIG. 4 is a rear elevational view;
 FIG. 5 is a top plan view;
 FIG. 6 is a left side elevational view;
 FIG. 7 is a bottom plan view thereof.

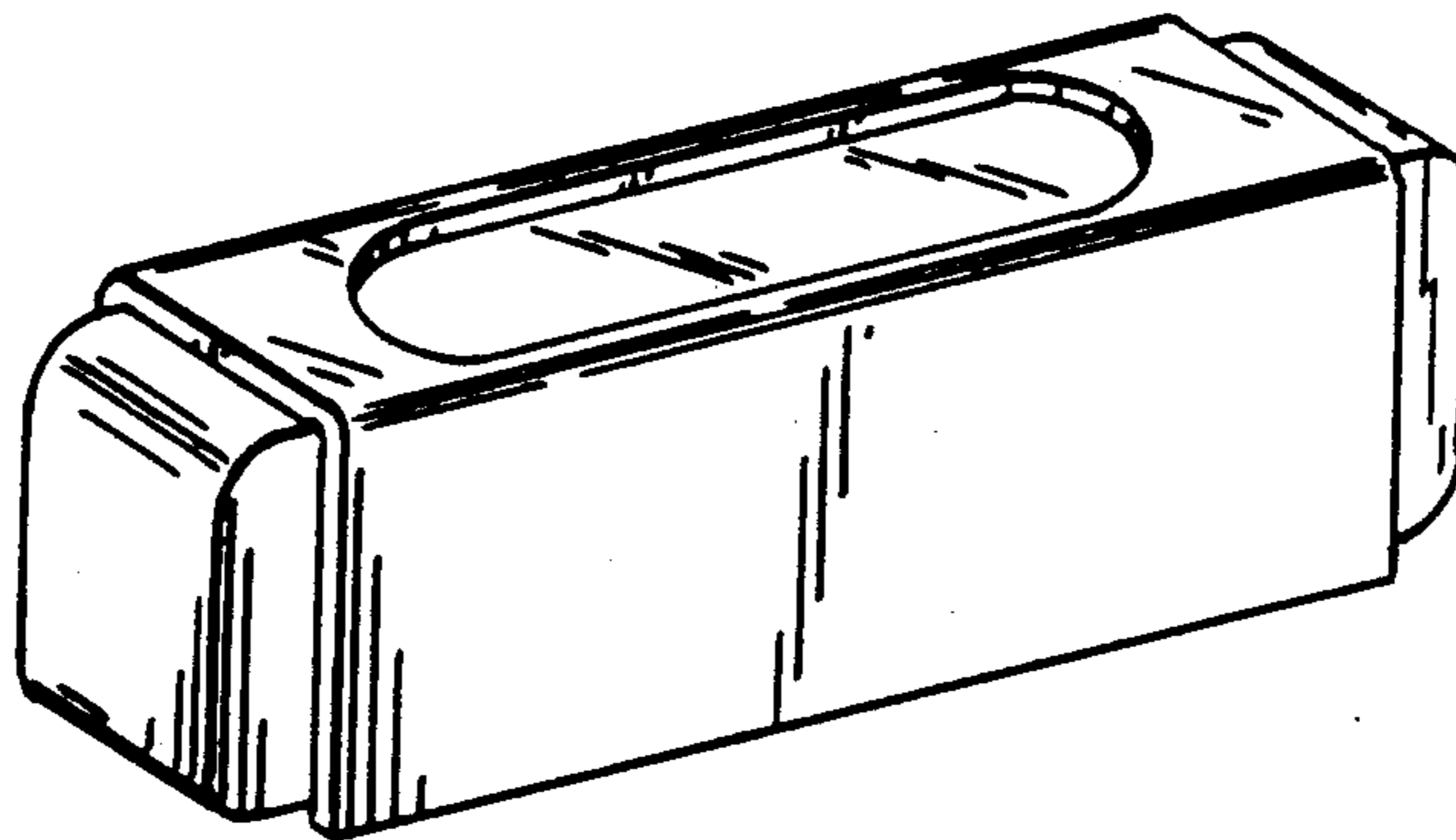


Fig. 1.

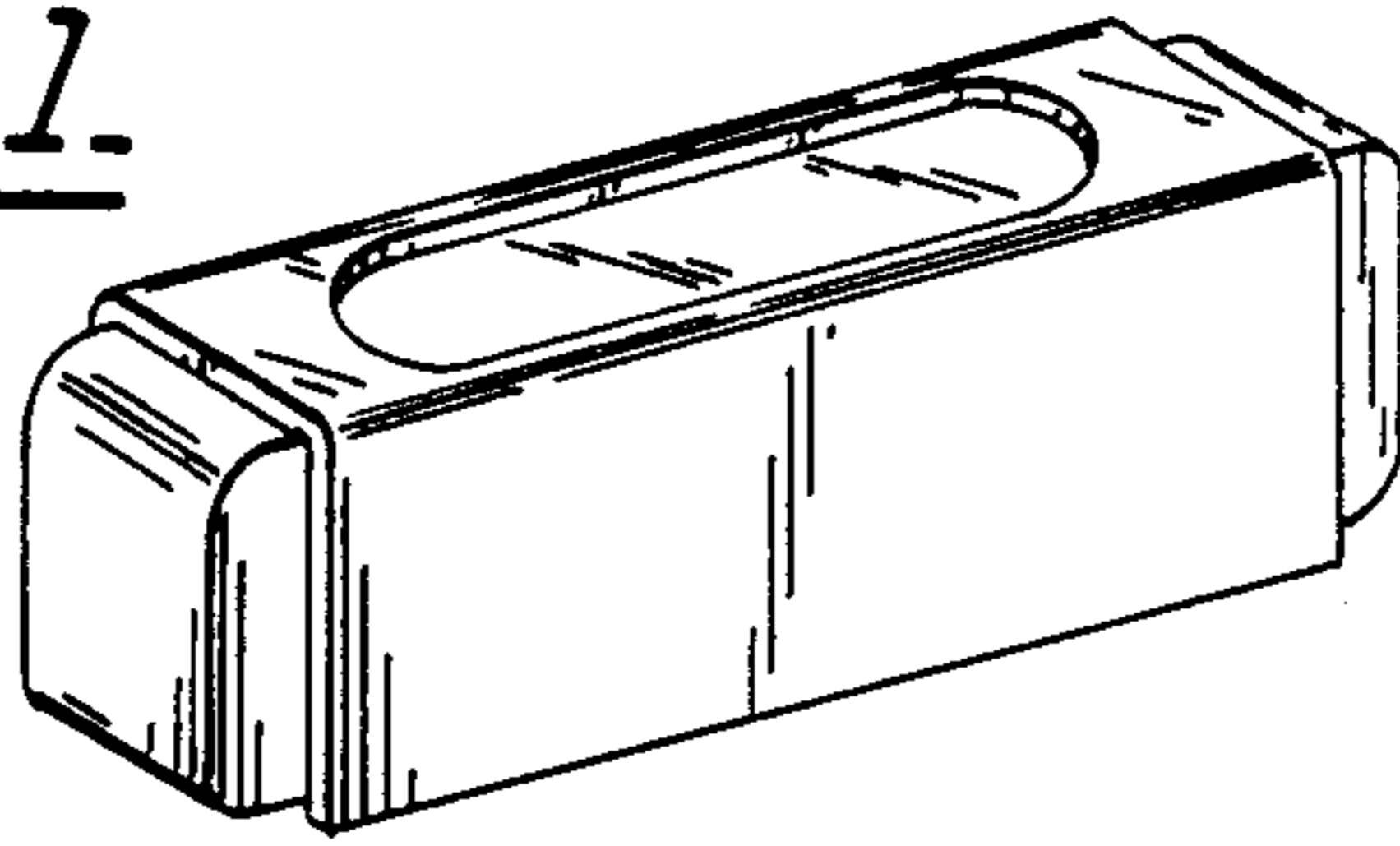


Fig. 3.

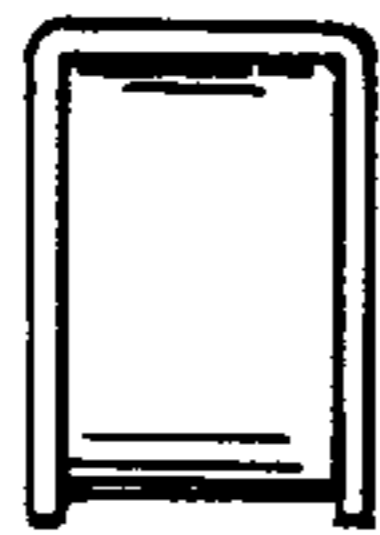


Fig. 2.

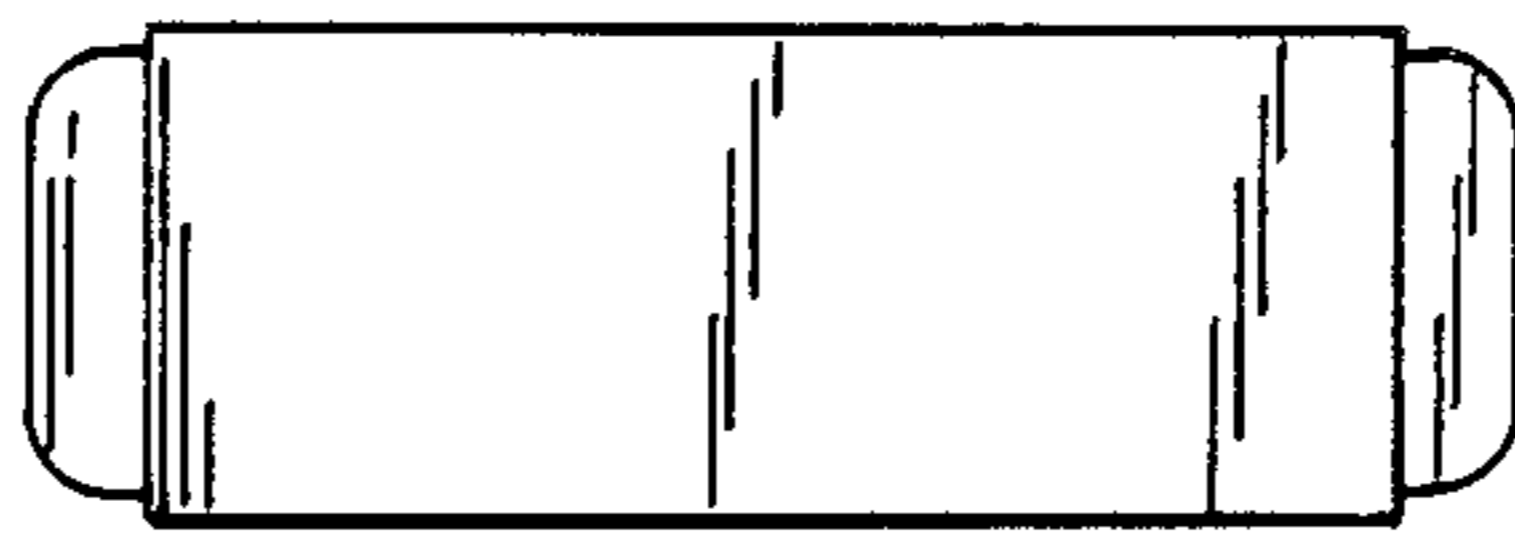


Fig. 4.

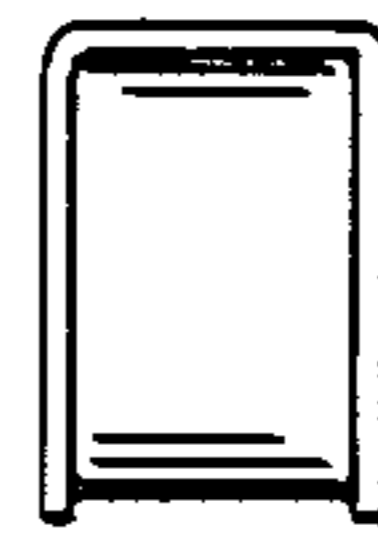


Fig. 5.



Fig. 6.

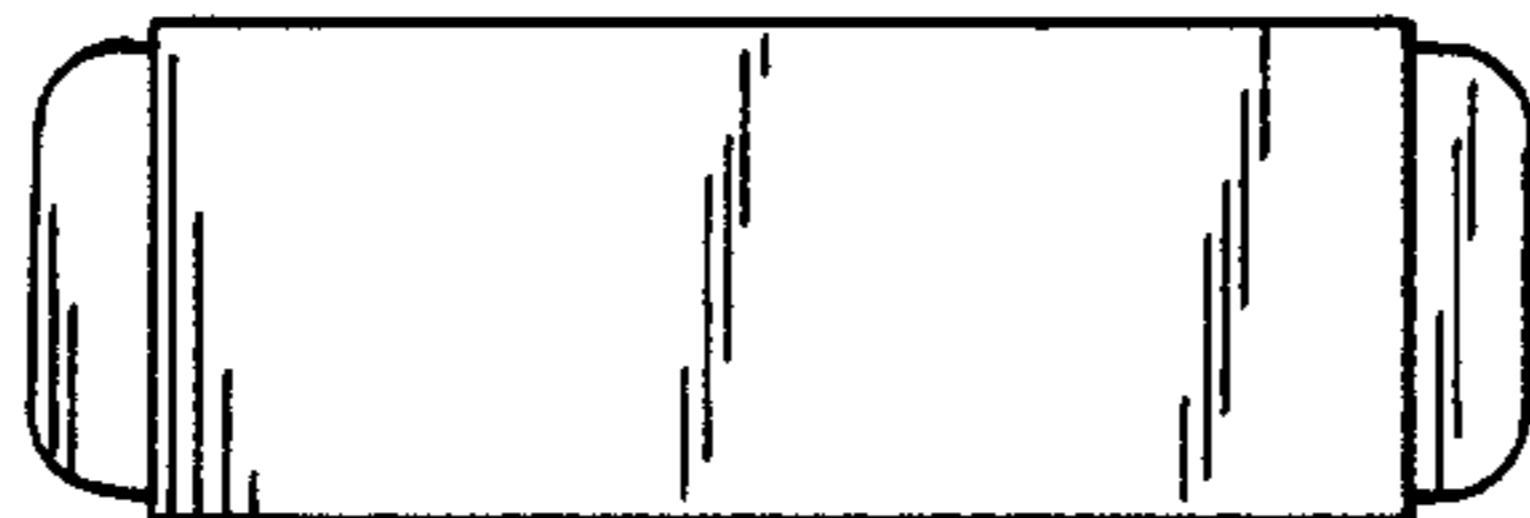


Fig. 7.

