

[54] LINE MARKING GAUGE

[76] Inventor: Christopher J. Longridge, Mimosa Cottage, Swains Road, Bembridge, Isle of Wight, England

[**] Term: 14 Years

[21] Appl. No.: 254,783

[22] Filed: Oct. 7, 1988

[30] Foreign Application Priority Data

Apr. 13, 1988 [GB] United Kingdom 8808749.9

[52] U.S. Cl. D10/64

[58] Field of Search D10/61, 62, 64, 65, D10/75; 33/1 R, 1 B, 1 G, 429, 474, 476, 501, 526, 527, 528, 562, 568, 565, 566, 567, 574

[56] References Cited

U.S. PATENT DOCUMENTS

313,197	3/1885	Gaylord	33/562 X
456,105	7/1891	Adams	33/428
513,665	1/1894	Barberic	33/474
720,824	2/1903	Lieber	33/566
1,415,615	5/1922	Stock	33/429

1,732,073	10/1929	Turner	33/474
1,751,366	3/1930	Shaub	33/476
2,398,143	4/1946	Jaediker	D10/65 X
2,637,110	5/1953	Gilbertson	33/476
3,080,658	3/1963	Pignone	33/474

FOREIGN PATENT DOCUMENTS

24935	of 1895	United Kingdom	33/429
386883	1/1933	United Kingdom	33/480

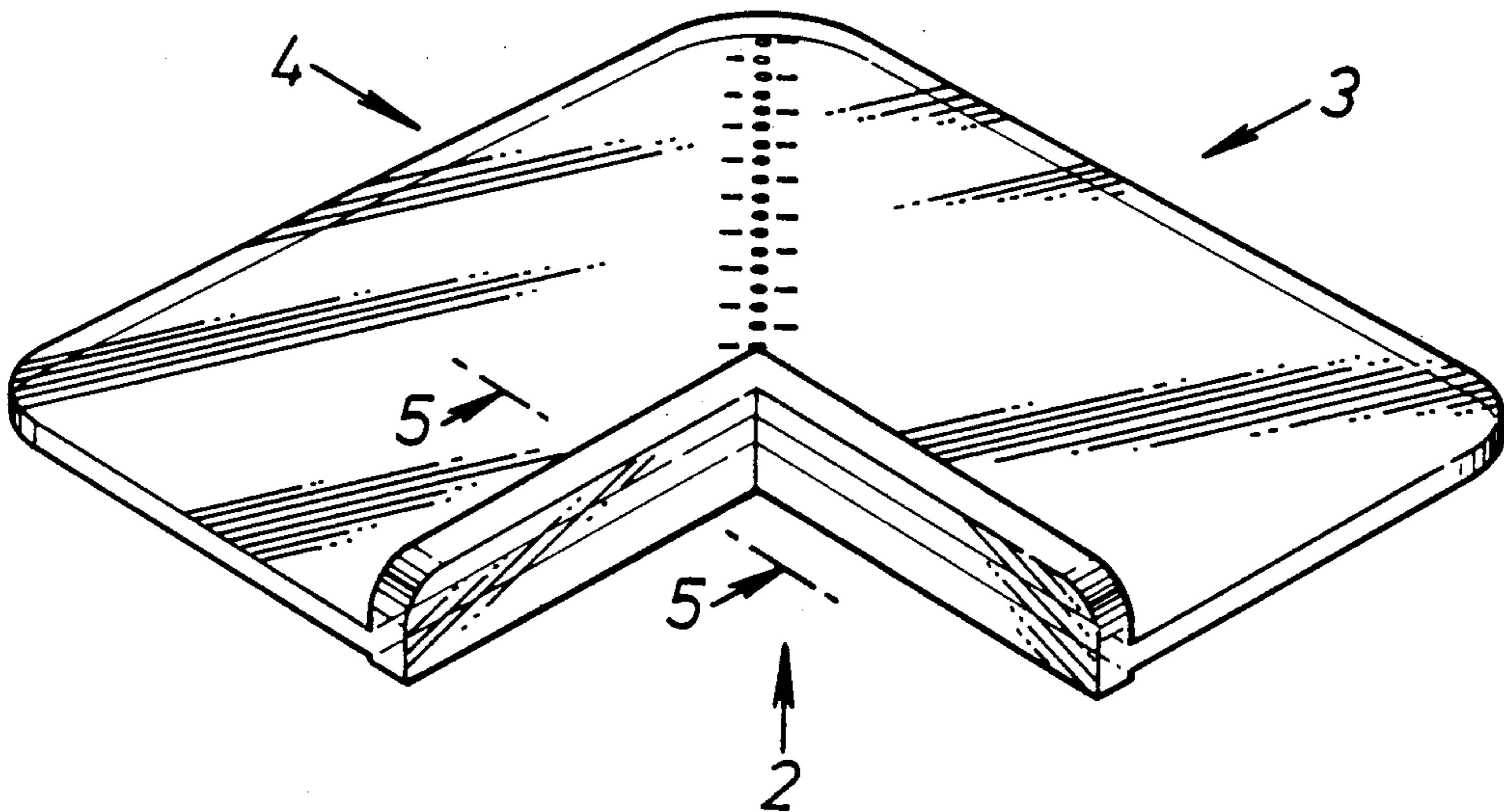
Primary Examiner—Nelson C. Holtje
Assistant Examiner—Antoine D. Davis
Attorney, Agent, or Firm—Samuel Meerkreebs

[57] CLAIM

The ornamental design for a line marking gauge, as shown.

DESCRIPTION

FIG. 1 is a top, front, and right side perspective view of a line marking gauge showing my new design; FIG. 2 is a bottom plan view; FIG. 3 is a rear elevational view; FIG. 4 is a left side elevational view; and FIG. 5 is an enlarged fragmentary cross-sectional view thereof, taken along line 5—5 of FIG. 4.



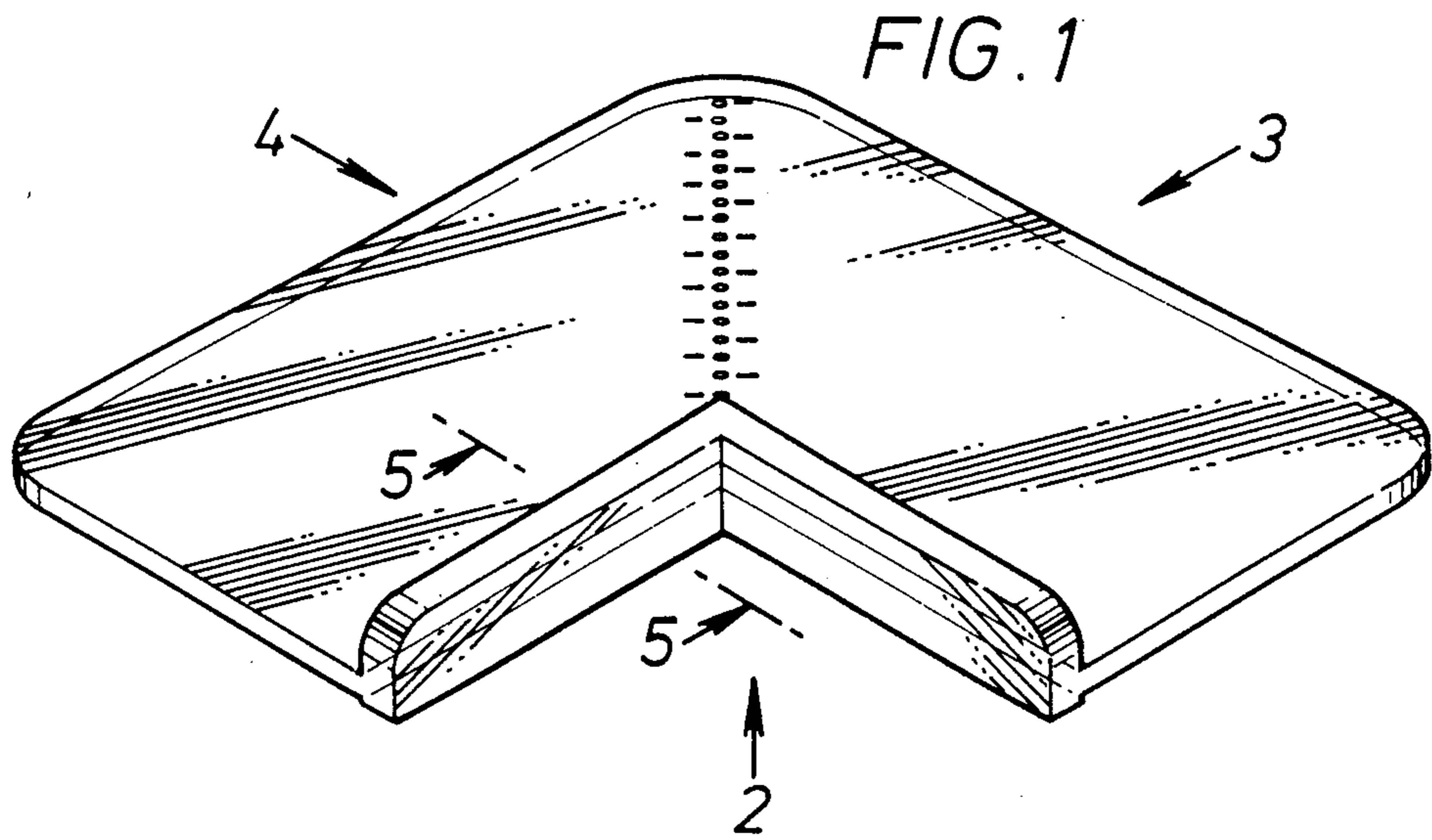


FIG. 2

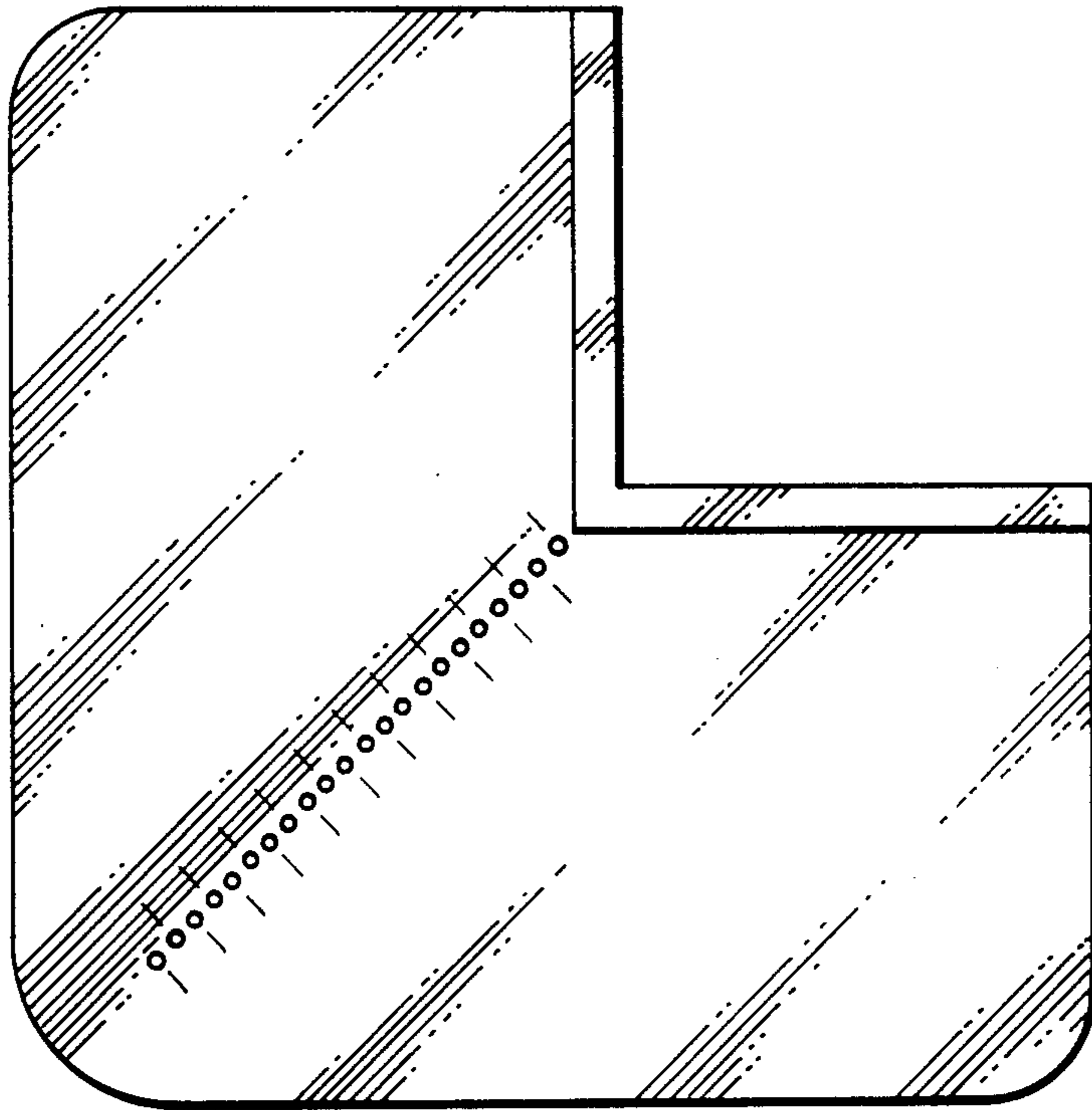


FIG. 3



FIG. 4



FIG. 5

