

- [54] PACKAGE FOR A DISPOSABLE CAMERA
- [75] Inventor: Takuya Arai, Tokyo, Japan
- [73] Assignee: Fuji Photo Film Co., Ltd., Kanagawa, Japan
- [\*\*] Term: 14 Years
- [21] Appl. No.: 505,524
- [22] Filed: Apr. 6, 1990

4,751,536	6/1988	Ohmura et al.	354/75
4,758,852	7/1988	Maejima	354/75
4,804,987	2/1989	Arai	354/219
4,812,863	3/1989	Ohmura et al.	354/219

**Related U.S. Application Data**

- [62] Division of Ser. No. 195,957, May 17, 1988.

**Foreign Application Priority Data**

- Feb. 27, 1988 [JP] Japan ..... 63-7915
- [52] U.S. Cl. .... D9/432; D16/200; D16/208; D9/418
- [58] Field of Search ..... D9/414, 415, 432, 307; D14/121; D16/200, 218, 213, 211, 208; 206/316.2, 455, 456; 354/75, 76, 174, 126, 400, 275, 288, 219; 224/908

**References Cited**

**U.S. PATENT DOCUMENTS**

D. 228,681	10/1973	Swayze	D16/213
D. 244,055	4/1977	Shimano et al.	D16/213
D. 306,691	3/1990	Arai	D16/218
3,523,496	8/1970	Nerwin	D14/121 X

**OTHER PUBLICATIONS**

Photography, 2-1985, p. 76, bottom of the page.  
 W. Bell & Co. Catalog 1986, p. 311, top of the page.  
 Hong Enterprise Catalog, 1987, p. 201, top right of the page.  
 W. Bell & Co. Catalog 1987, p. 235, item No. 5, bottom left of the page.

*Primary Examiner*—Bernard Ansher  
*Assistant Examiner*—Prabhakar Deshmukh  
*Attorney, Agent, or Firm*—Young & Thompson

**[57] CLAIM**

The ornamental design for a package for a disposable camera, as shown and described.

**DESCRIPTION**

FIG. 1 is a perspective view of a package for a disposable camera showing my new design;  
 FIG. 2 is a front elevational view thereof;  
 FIG. 3 is a rear elevational view thereof;  
 FIG. 4 is a top plan view thereof;  
 FIG. 5 is a bottom plan view thereof;  
 FIG. 6 is a right side elevational view thereof; and  
 FIG. 7 is a left side elevational view thereof.

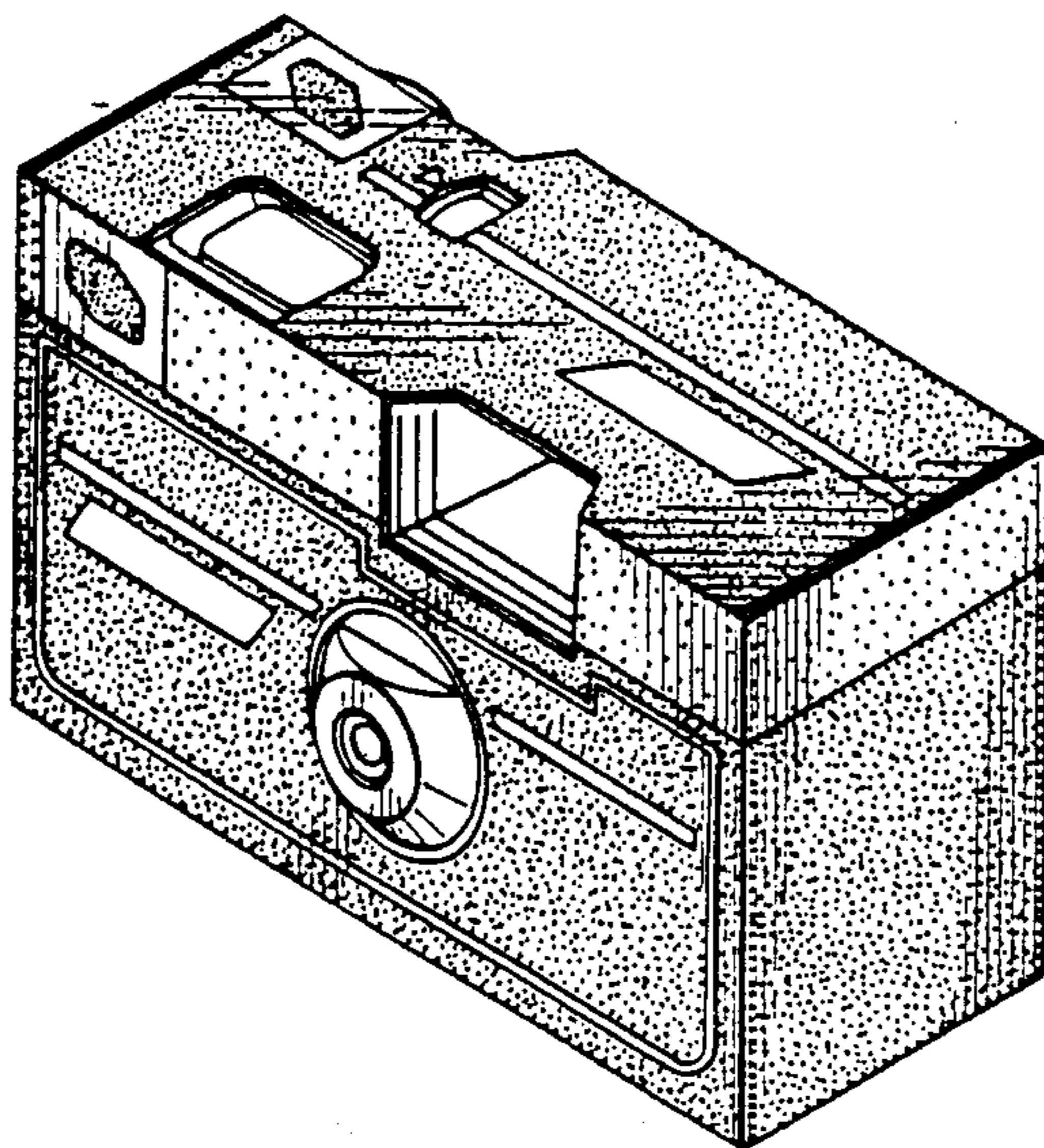


FIG. 1

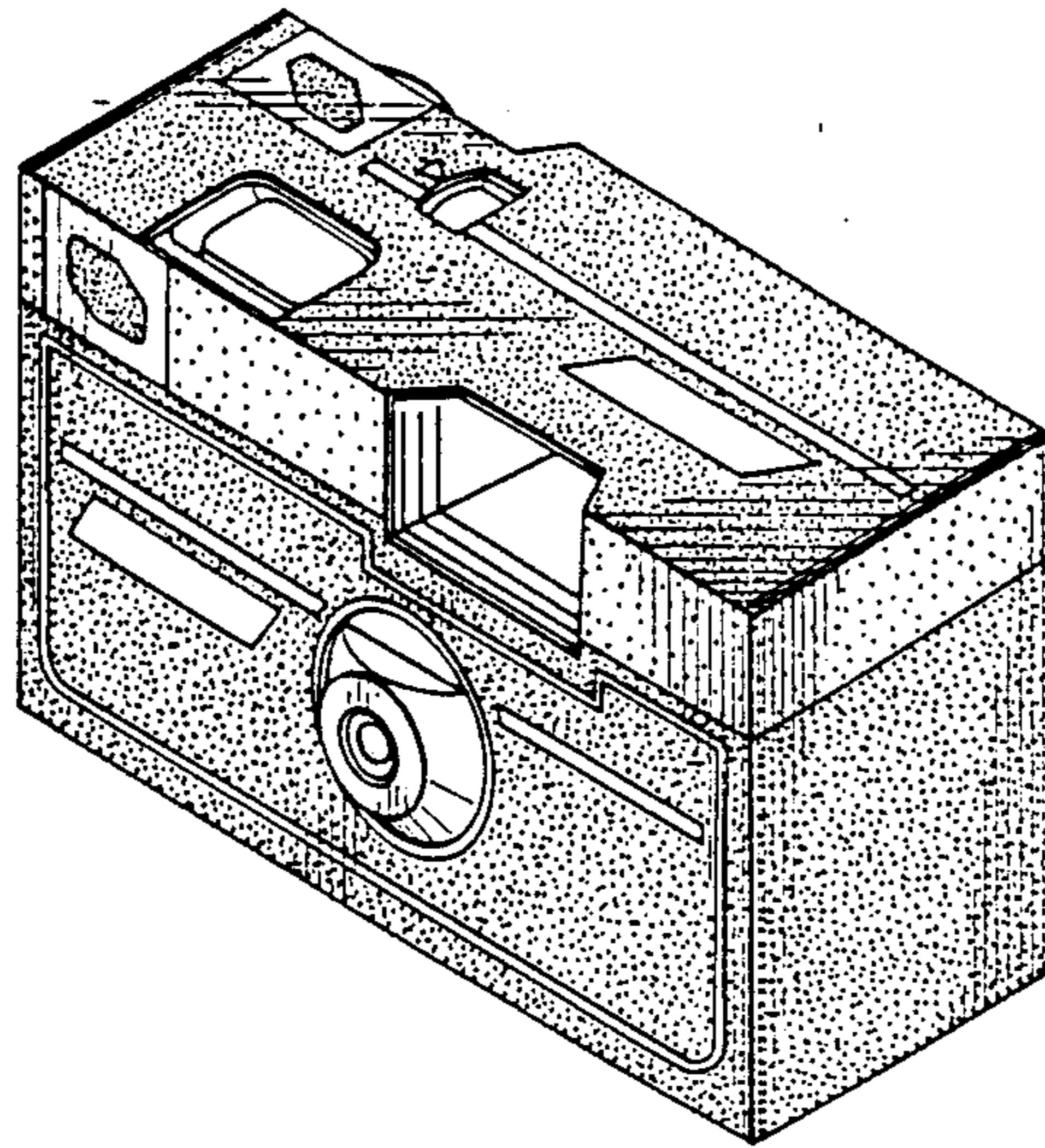


FIG. 2

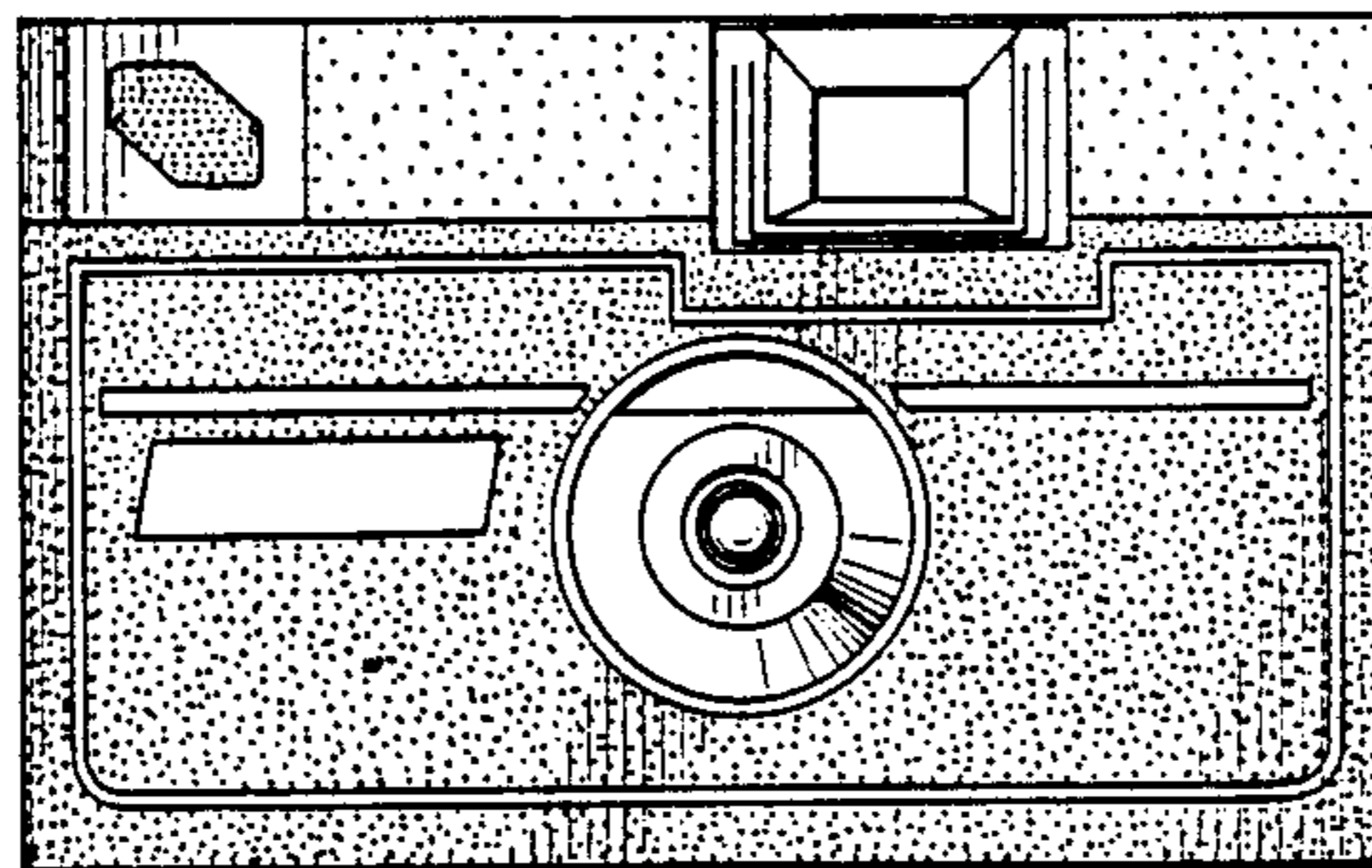


FIG. 3

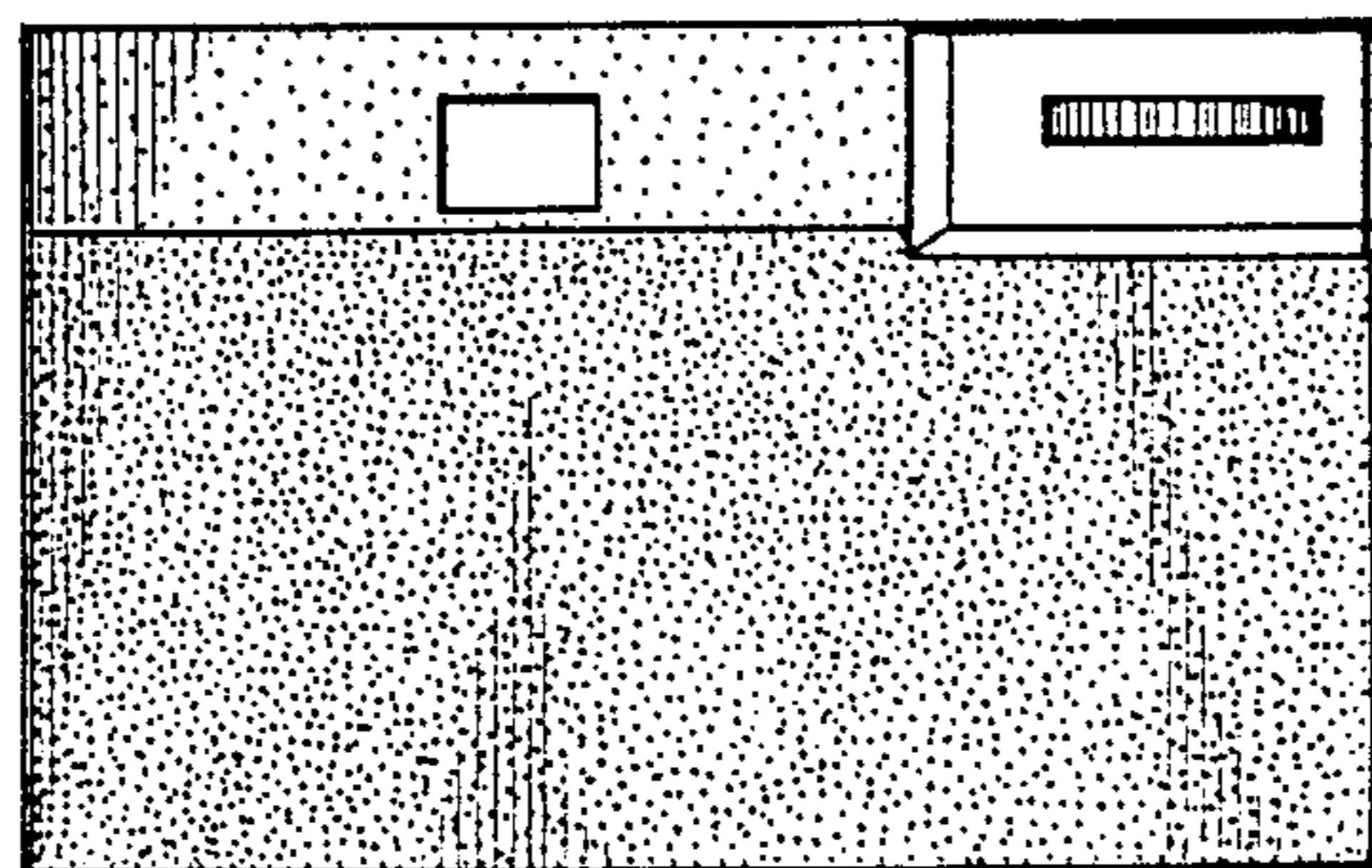




FIG. 4

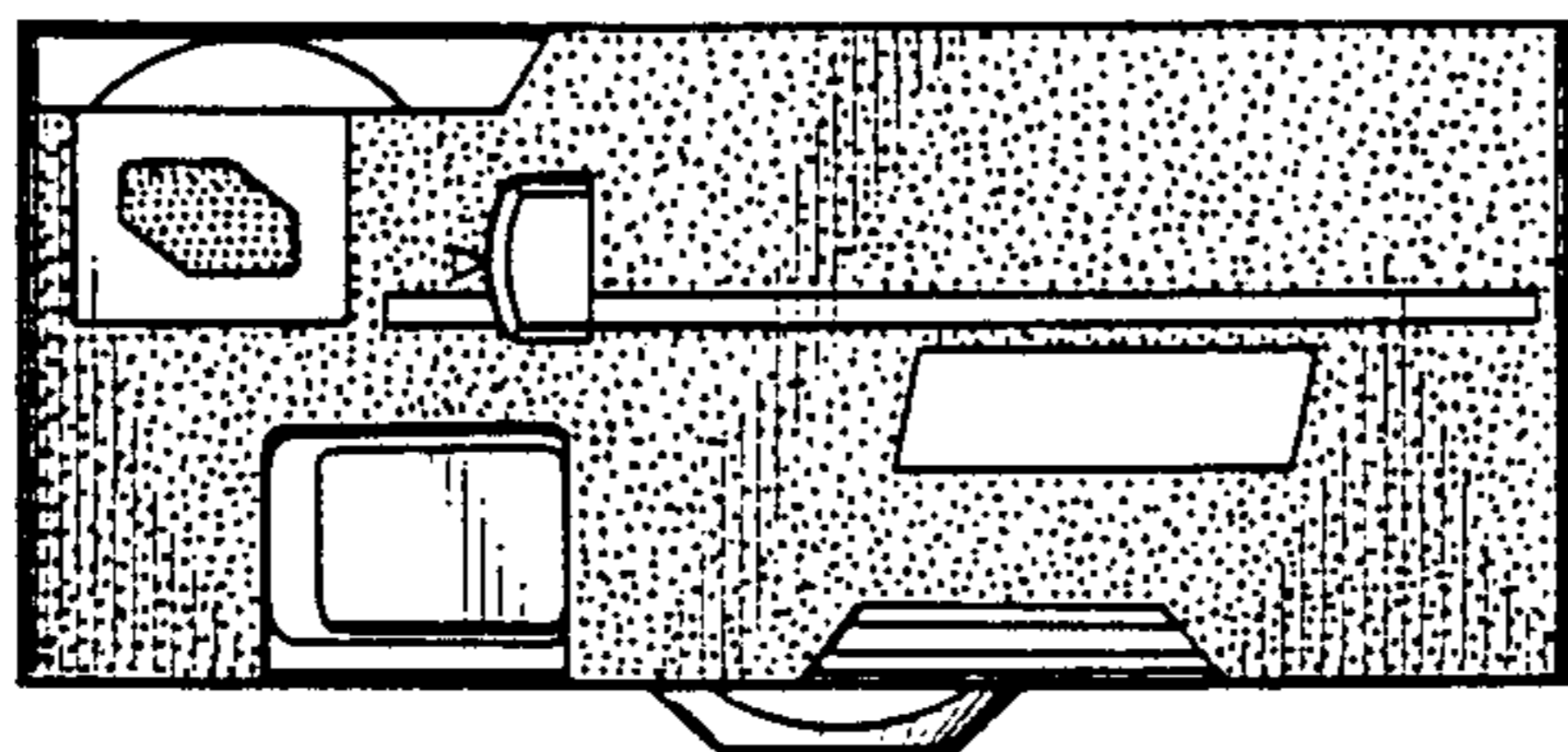


FIG. 6

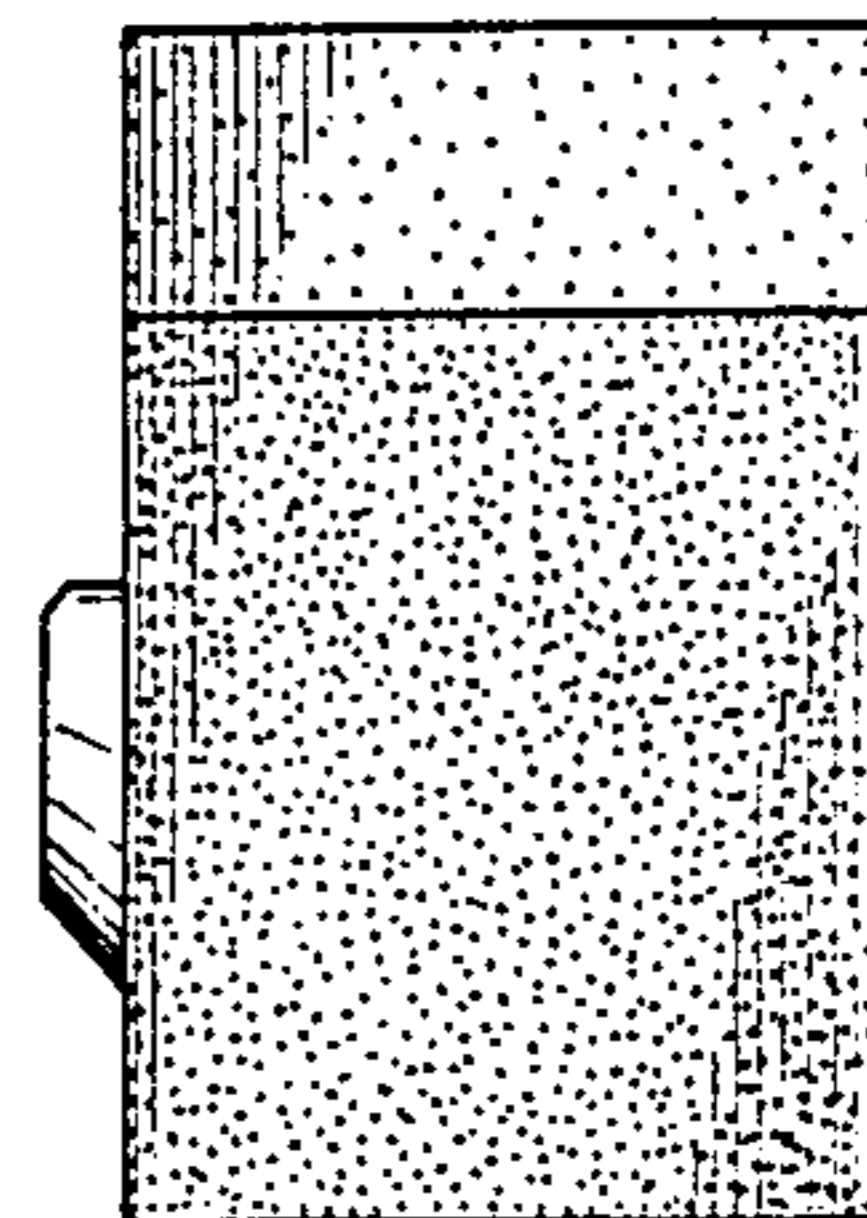


FIG. 5

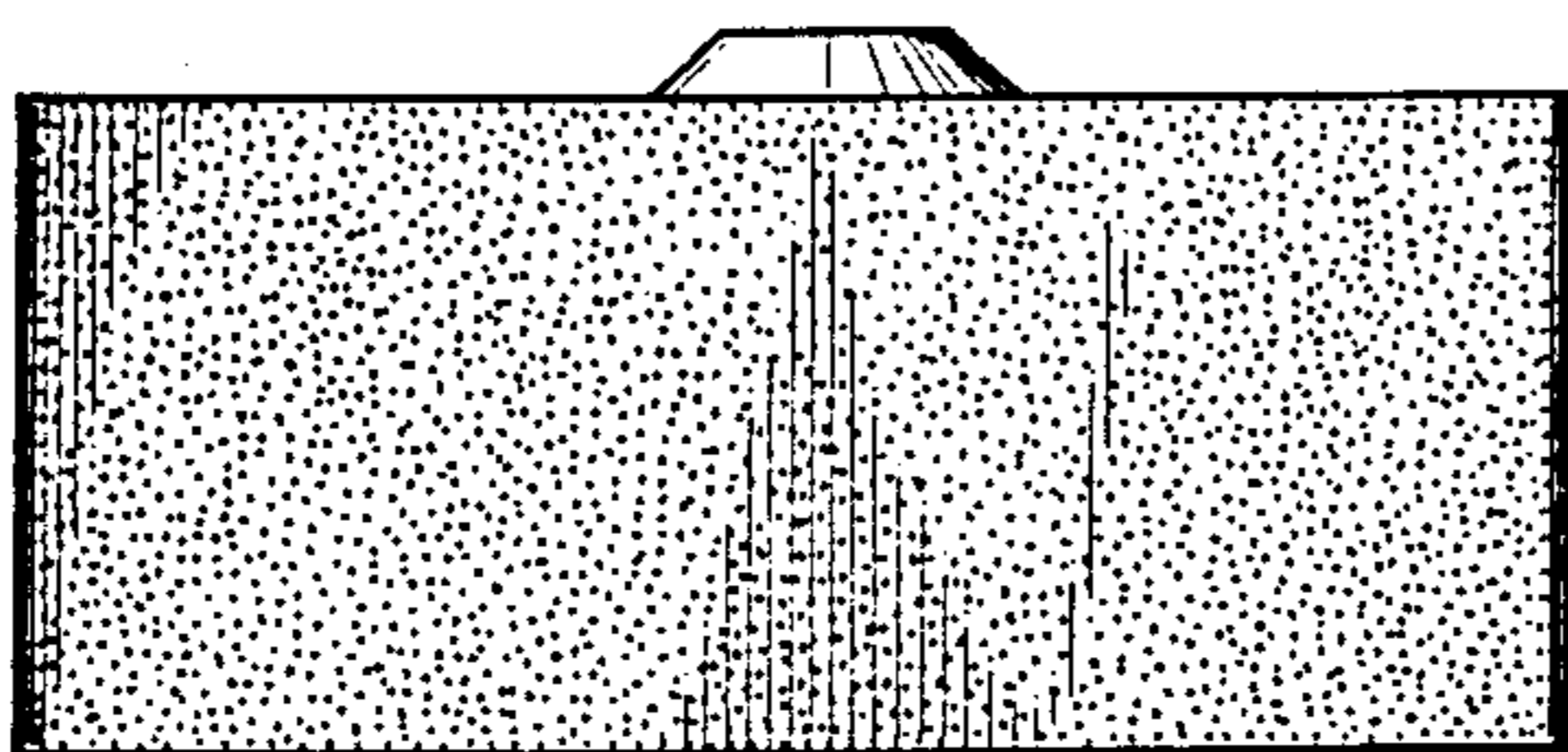


FIG. 7

