

- [54] PACKAGE FOR A DISPOSABLE CAMERA
- [75] Inventor: Takuya Arai, Tokyo, Japan
- [73] Assignee: Fuji Photo Film Co., Ltd., Kanagawa, Japan
- [**] Term: 14 Years
- [21] Appl. No.: 505,523
- [22] Filed: Apr. 6, 1990

Related U.S. Application Data

- [62] Division of Ser. No. 195,957, May 17, 1988.

Foreign Application Priority Data

- Feb. 27, 1988 [JP] Japan 63-7916
- [52] U.S. Cl. D9/432; D16/200; D16/208; D9/418
- [58] Field of Search D9/414, 415, 432, 307; D14/121; D16/200, 218, 213, 211, 208; 206/316.2, 455, 456; 354/75, 76, 174, 126, 400, 275, 288, 219; 224/908

References Cited

U.S. PATENT DOCUMENTS

- D. 228,681 10/1973 Swayze D16/213
- D. 244,055 4/1977 Shimano et al. D16/213
- D. 306,691 3/1990 Arai D16/218
- 3,523,496 8/1970 Nerwin D14/121 X

- 4,751,536 6/1988 Ohmura et al. 354/75
- 4,758,852 7/1988 Maejima 354/75
- 4,804,987 2/1989 Arai 354/219
- 4,812,863 3/1989 Ohmura et al. 354/219

OTHER PUBLICATIONS

Photography, 2-1985, p. 76, bottom of the page.
 W. Bell Co. Cat. 1986, p. 311, top of the page.
 Hong Kong Enterprise Cat., 1987, p. 201, top right of the page.
 W. Bell Co. Catalog 1987, p. 235, Item No. 5, bottom left of the page.

Primary Examiner—Bernard Ansher
Assistant Examiner—Prabhakar Deshmukh
Attorney, Agent, or Firm—Young & Thompson

[57] **CLAIM**

The ornamental design for a package for a disposable camera, as shown and described.

DESCRIPTION

FIG. 1 is a perspective view of a package for a disposable camera showing my new design;
 FIG. 2 is a front elevational view thereof;
 FIG. 3 is a rear elevational view thereof;
 FIG. 4 is a top plan view thereof;
 FIG. 5 is a bottom plan view thereof;
 FIG. 6 is a right side elevational view thereof; and
 FIG. 7 is a left side elevational view thereof.

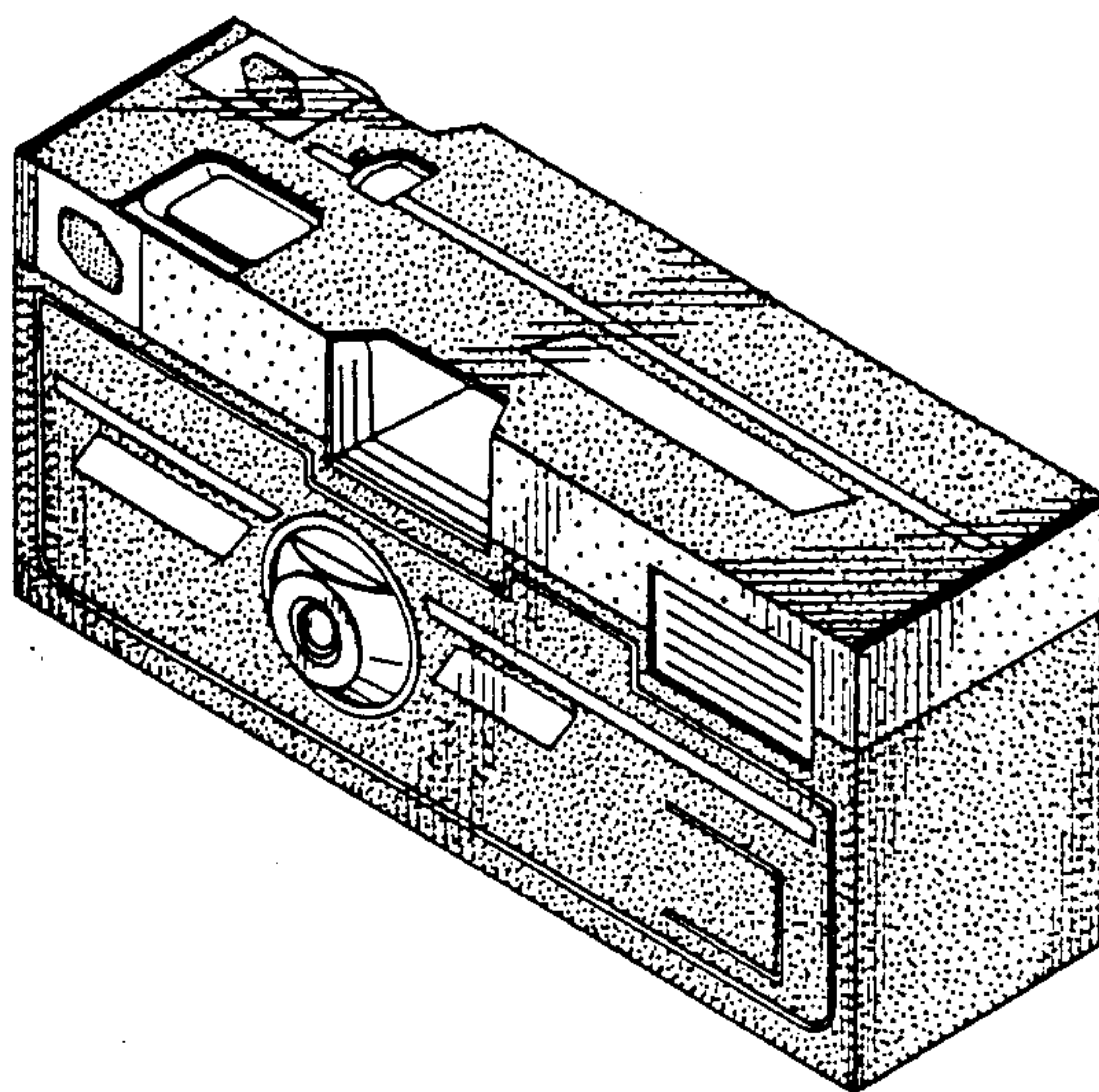


FIG. 1

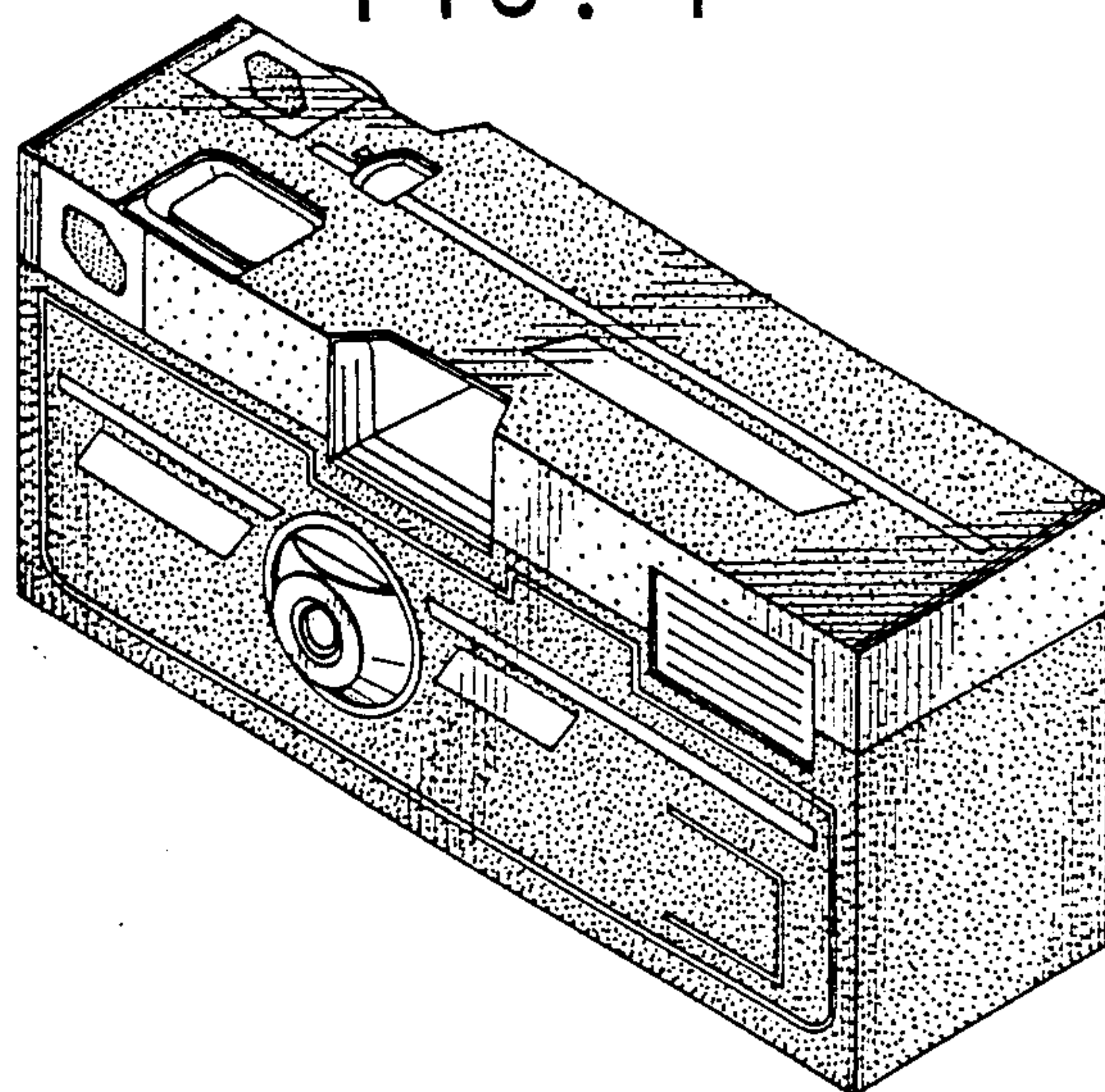


FIG. 2

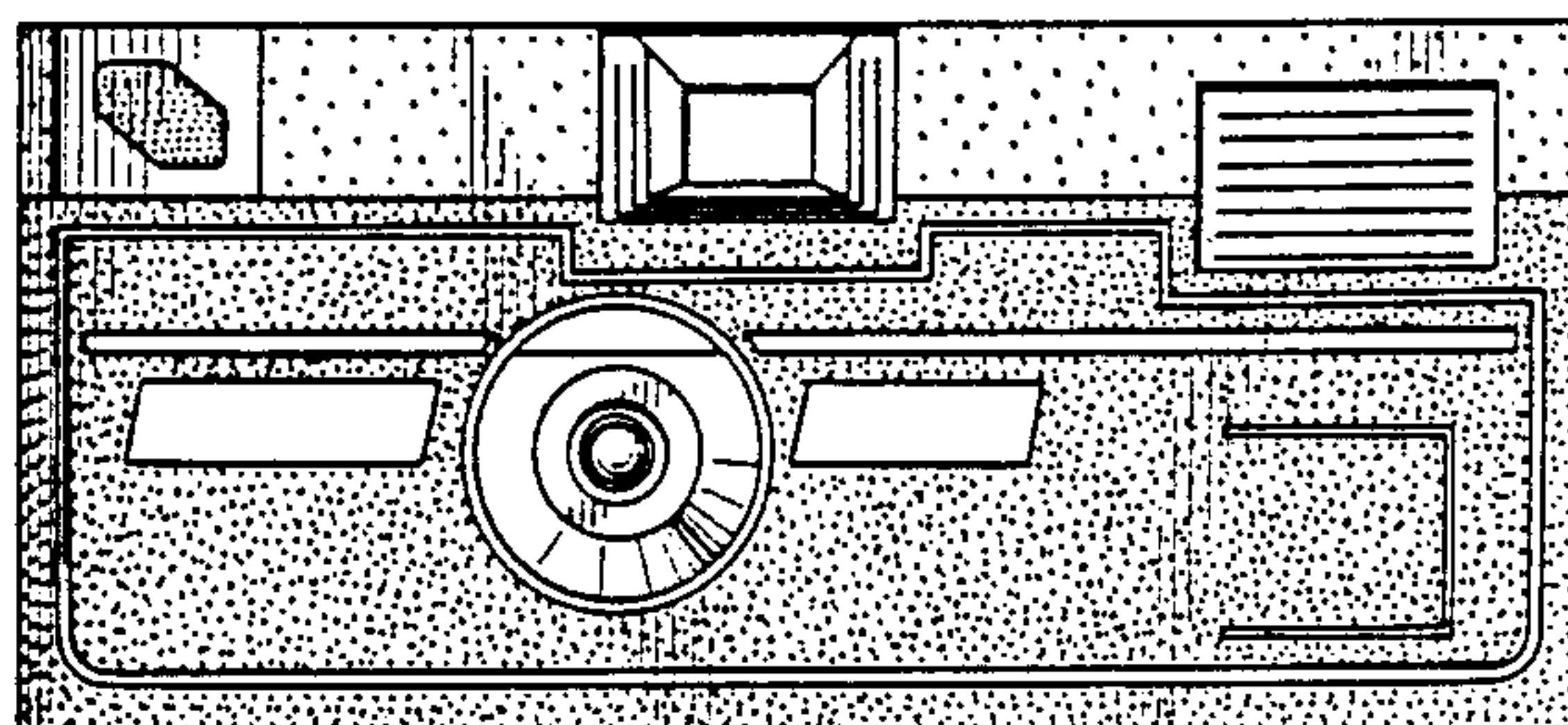


FIG. 3

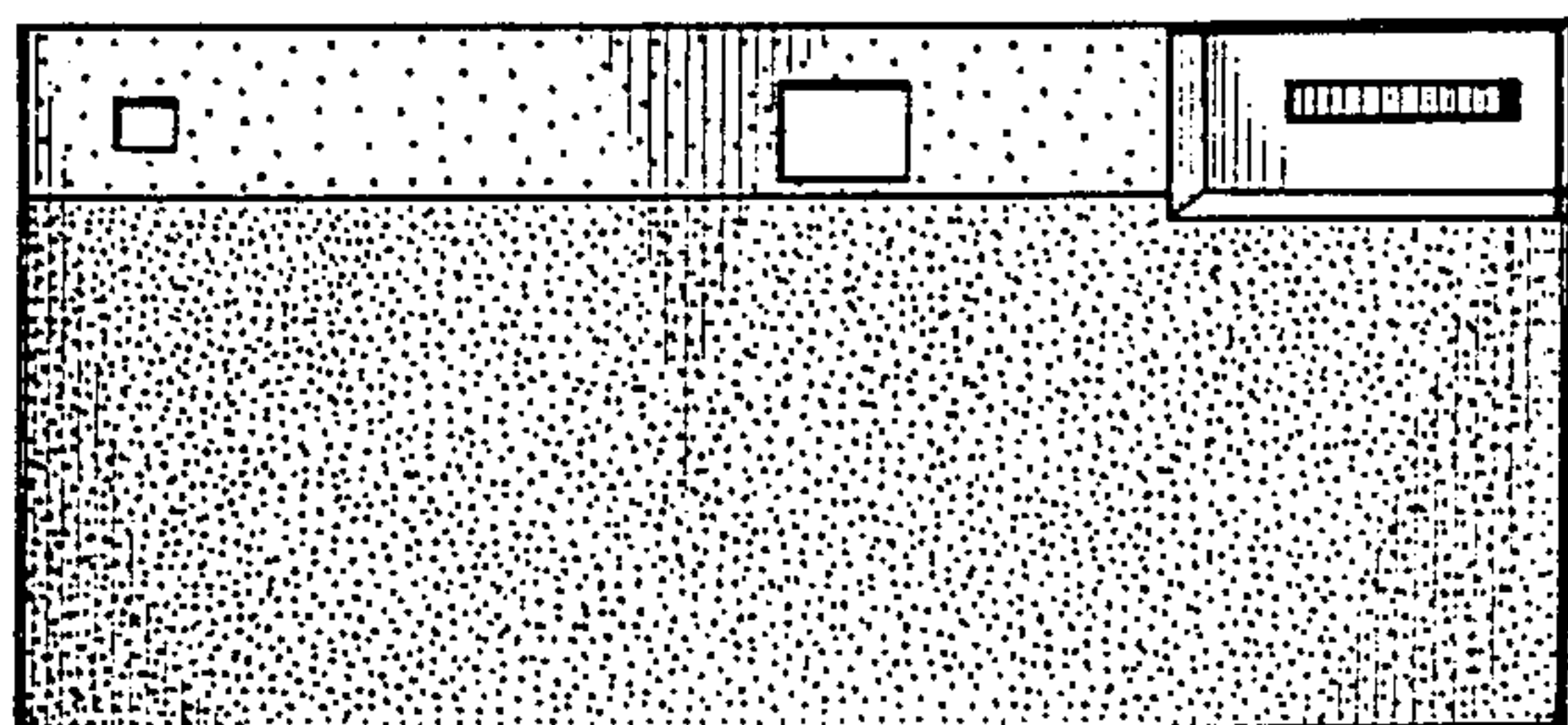


FIG. 4

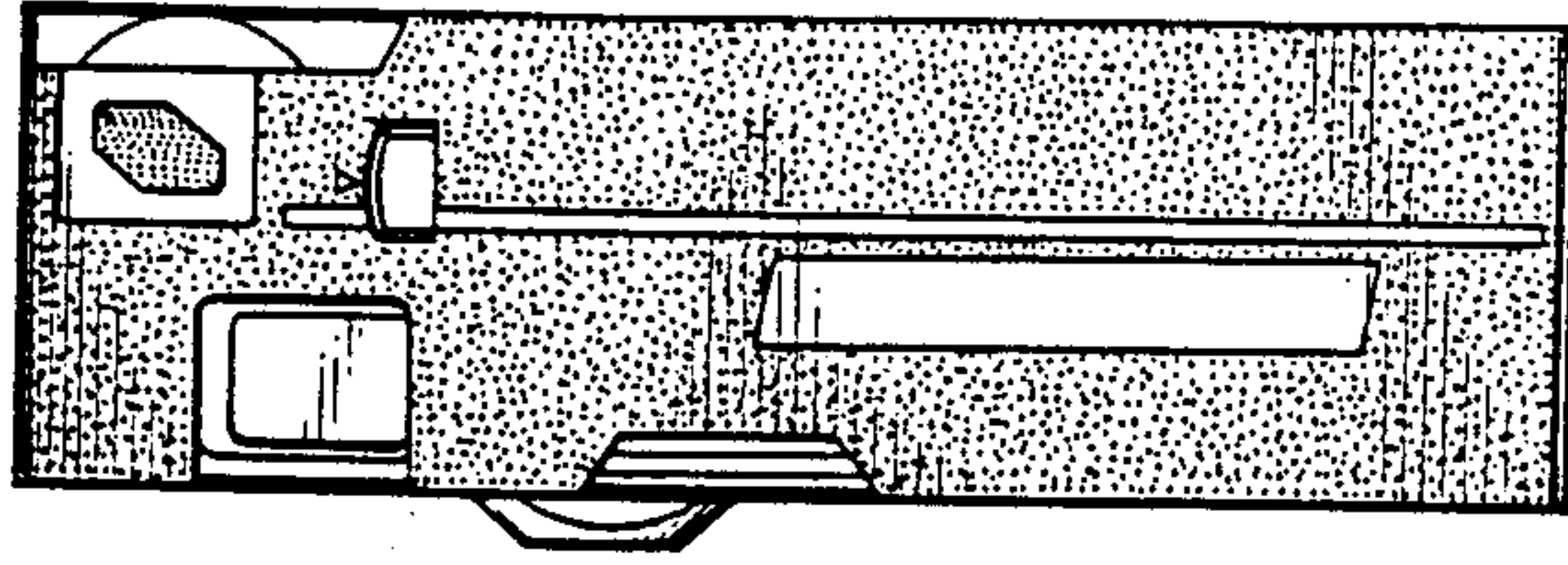


FIG. 6

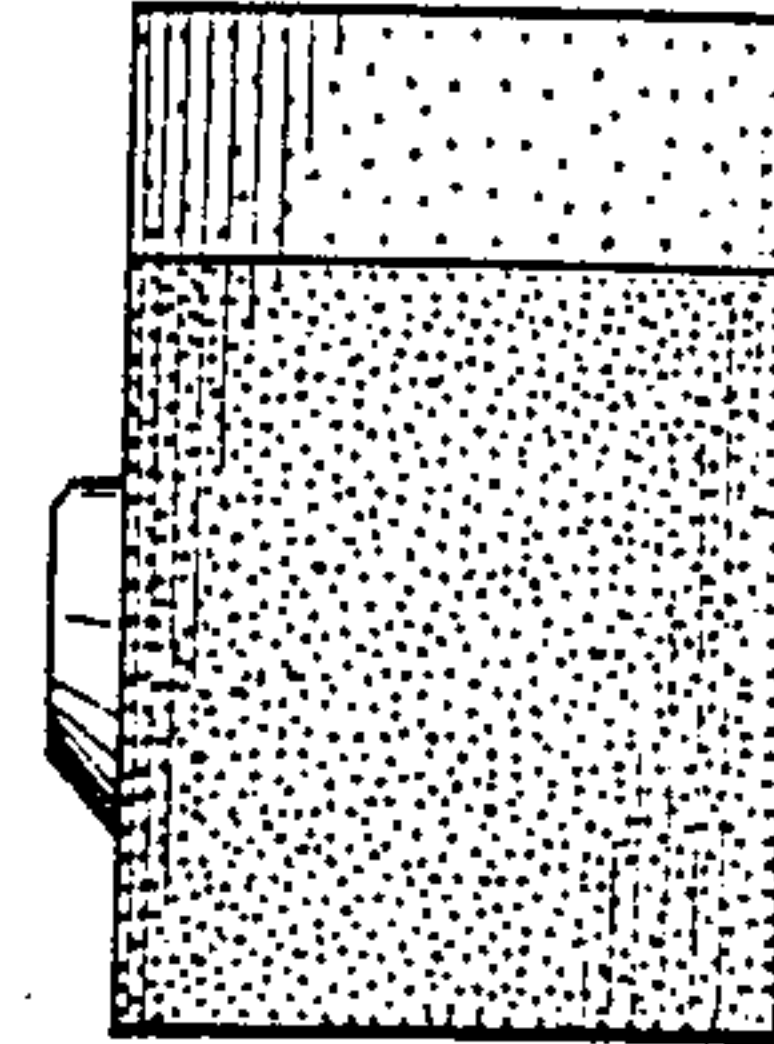


FIG. 5

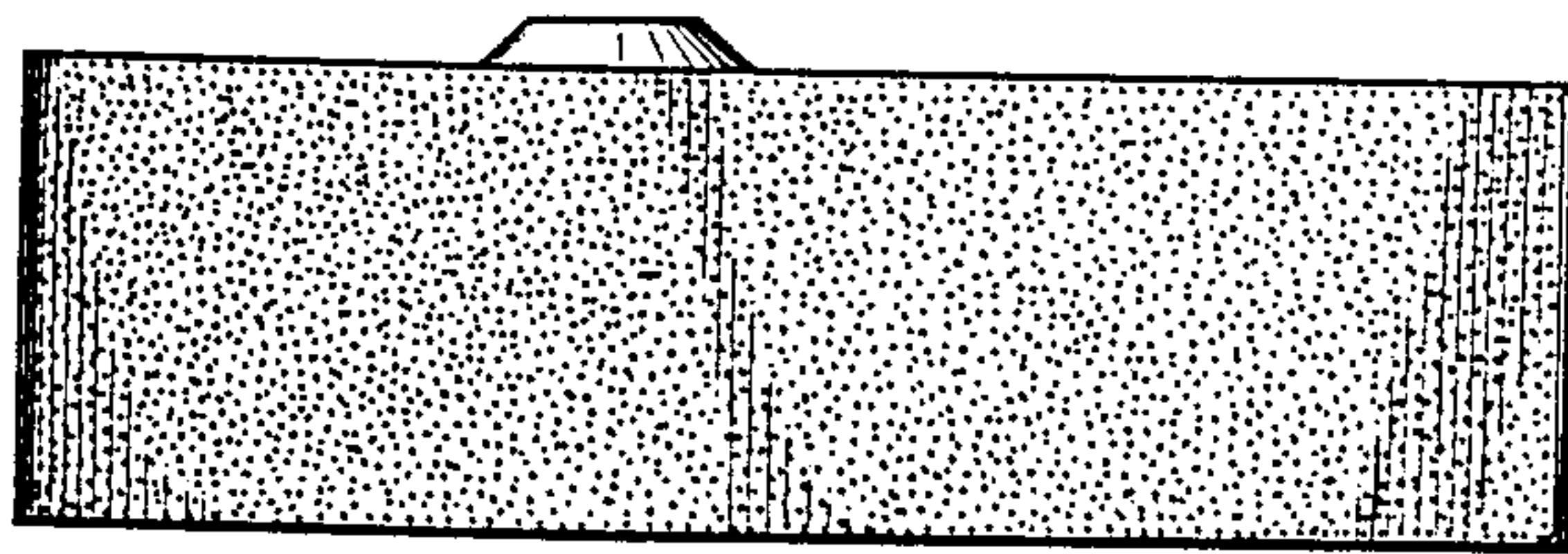


FIG. 7

