

[54] BOTTLE

[75] Inventor: Alan N. Miller, New City, N.Y.

[73] Assignee: Ipco Corporation, White Plains, N.Y.

[**] Term: 14 Years

[21] Appl. No.: 326,874

[22] Filed: Mar. 21, 1989

[52] U.S. Cl. D9/375; D9/347

[58] Field of Search D9/375, 347, 376, 367, D9/341, 337, 300, 387, 404, 408, 411; 215/1 R, 1 C, 6, 31

[56] References Cited

U.S. PATENT DOCUMENTS

139,905	6/1983	Lyon	215/6
D. 178,423	7/1956	Peters	D9/347
D. 195,600	7/1963	Neyman	D9/375
D. 211,504	6/1968	Vanderhyde	D9/375
D. 213,091	1/1969	Hills	
D. 218,281	8/1970	Diener	D9/375
D. 222,433	10/1971	Donoghue	
D. 224,201	7/1972	Beaver	D9/376

D. 247,472	3/1978	Byrne	
D. 269,948	8/1983	Janssen	D9/375
D. 273,092	3/1984	Kretz	
D. 278,118	3/1985	Hoyt	
D. 288,662	3/1987	Obuchowski	D9/404
D. 308,166	5/1990	Weckman	D9/347 X
1,334,344	3/1920	Beatty	215/31
3,347,420	8/1965	Donoghue	

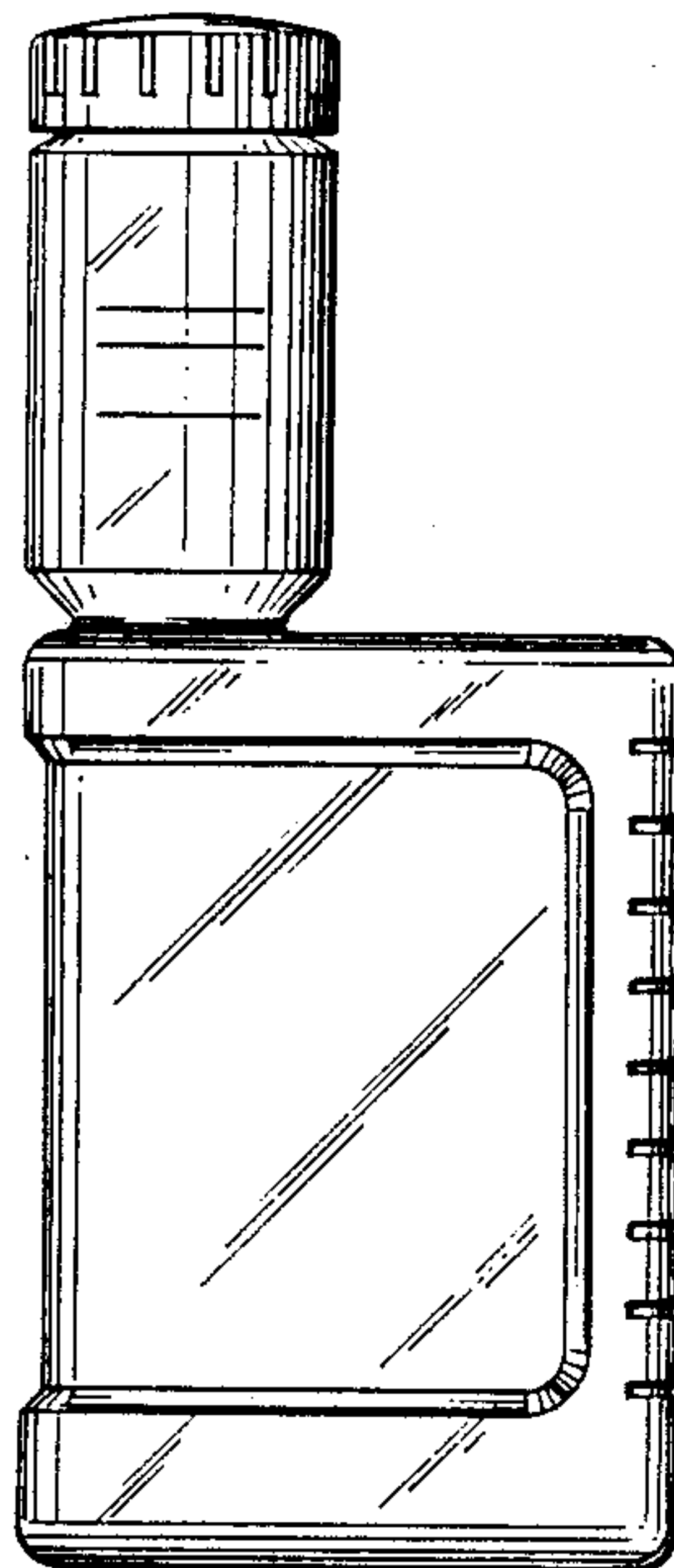
Primary Examiner—Melvin B. Feifer
Assistant Examiner—Lucy Lieberman
Attorney, Agent, or Firm—Helfgott & Karas

[57] CLAIM

The ornamental design for a bottle, as shown and described.

DESCRIPTION

FIG. 1 is a perspective view of a bottle showing my new design;
FIG. 2 is a top plan view thereof;
FIG. 3 is a front elevational view thereof;
FIG. 4 is a right side elevational view, the left side elevational view being a mirror image thereof;
FIG. 5 is a rear elevational view thereof; and
FIG. 6 is a bottom plan view thereof.



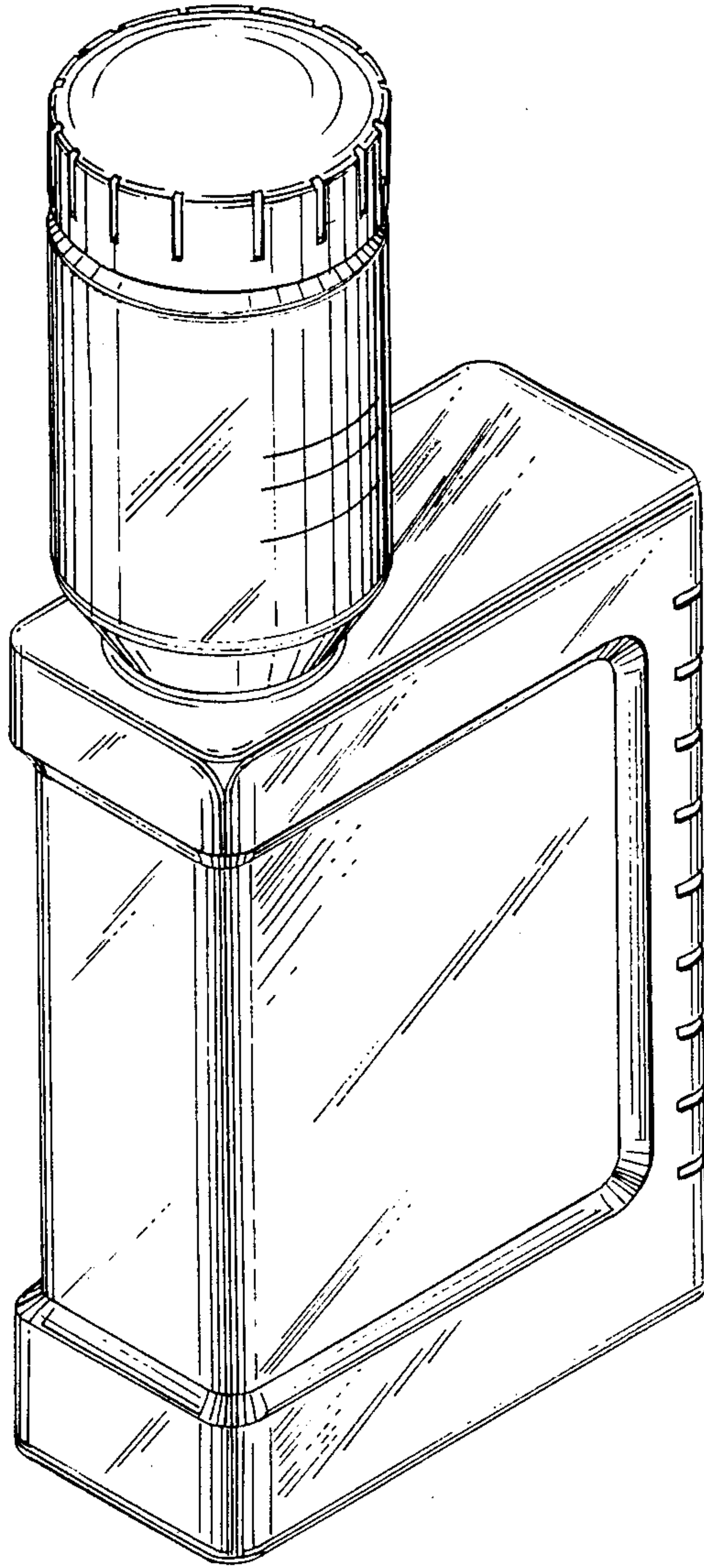


FIG. 1

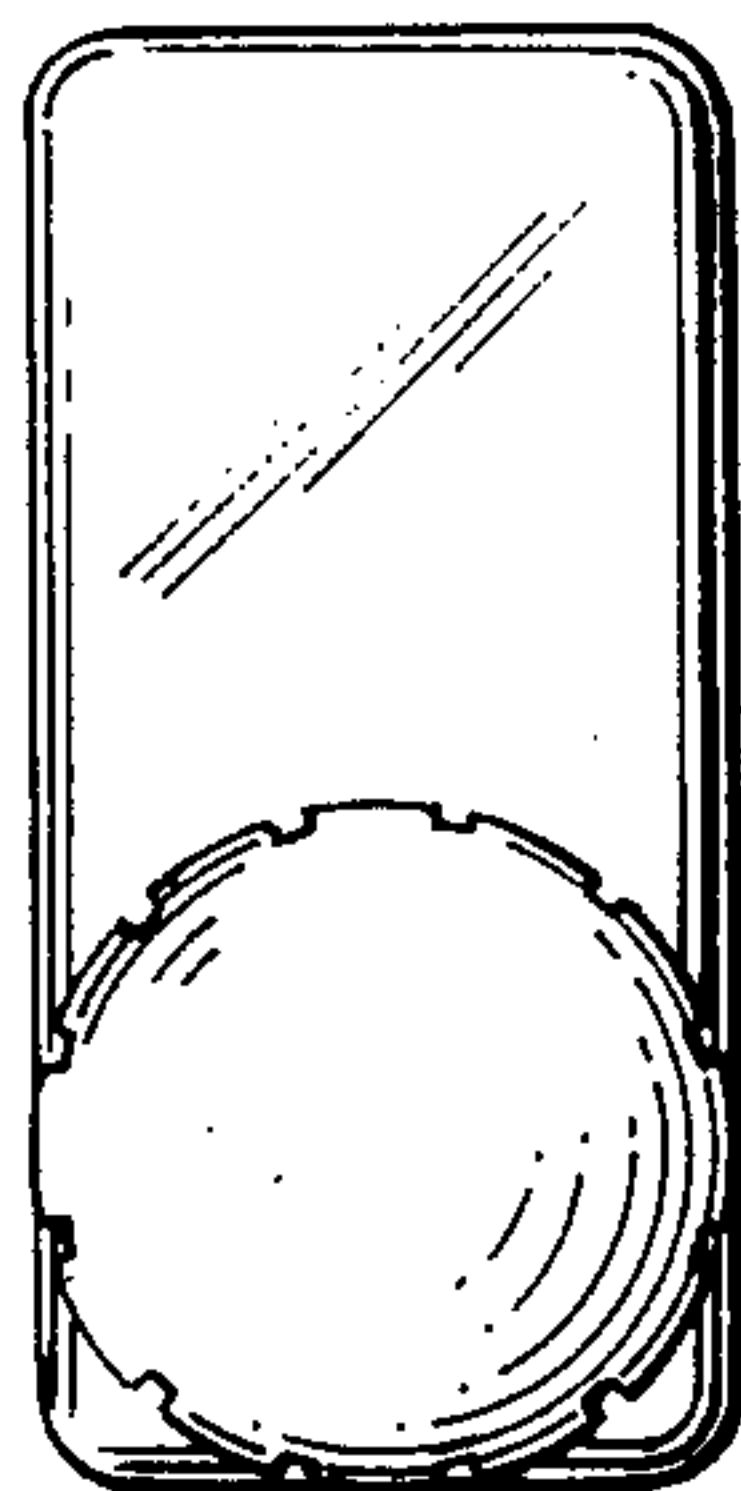


FIG. 2

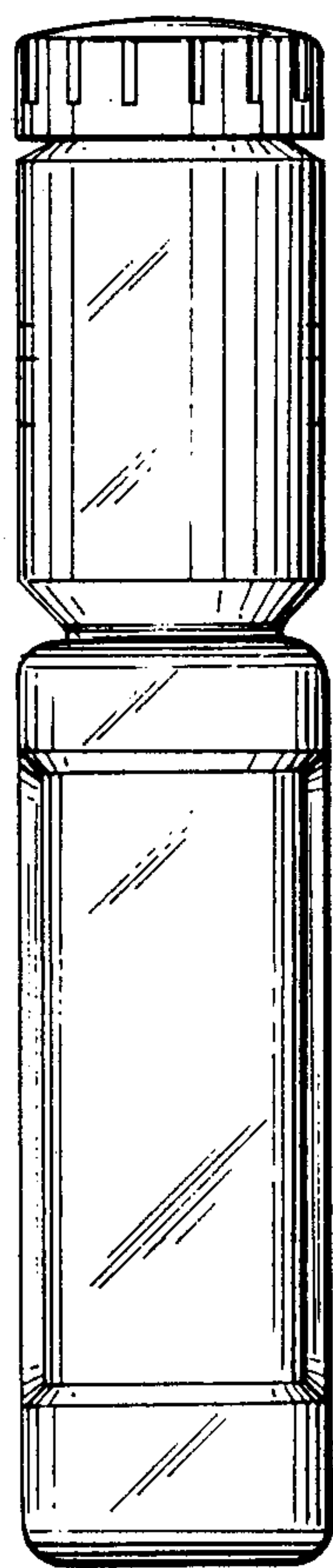


FIG. 3

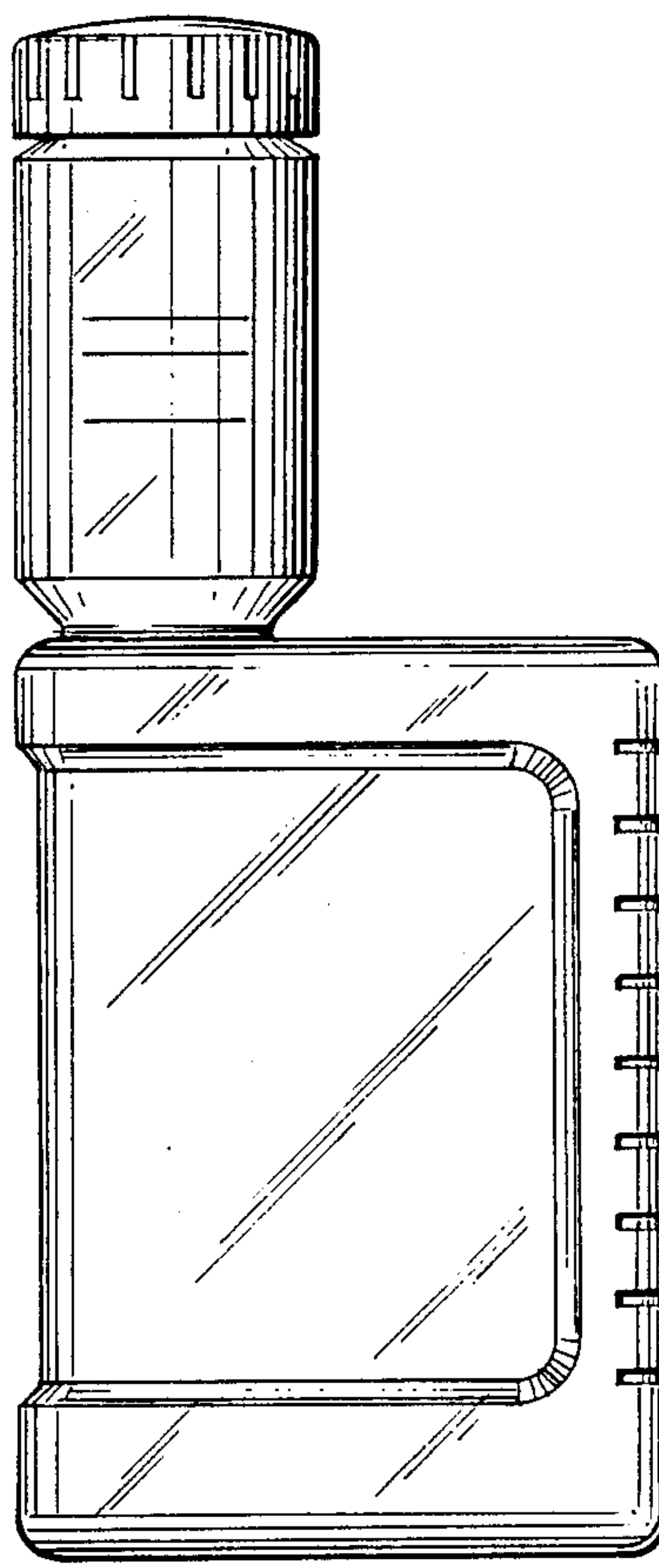


FIG. 4

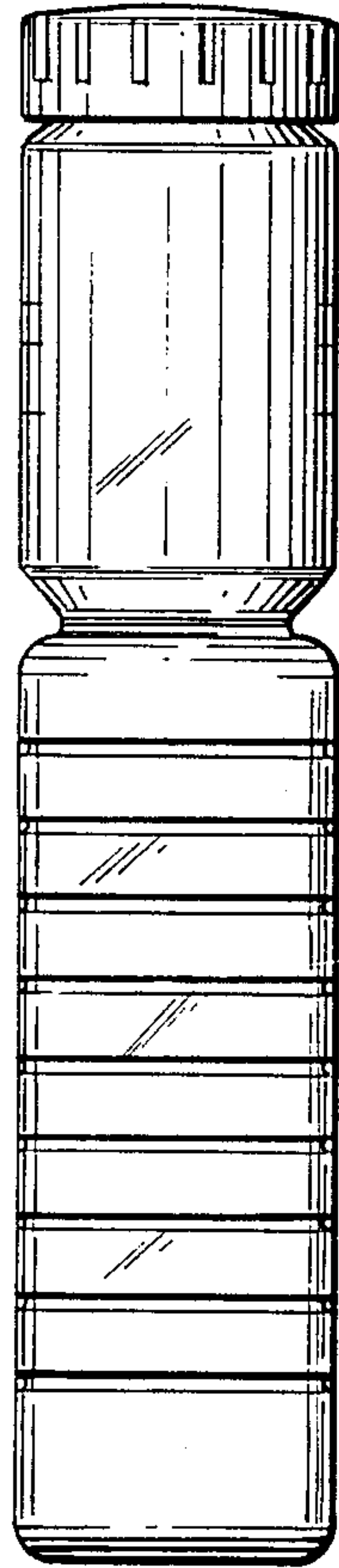


FIG. 5

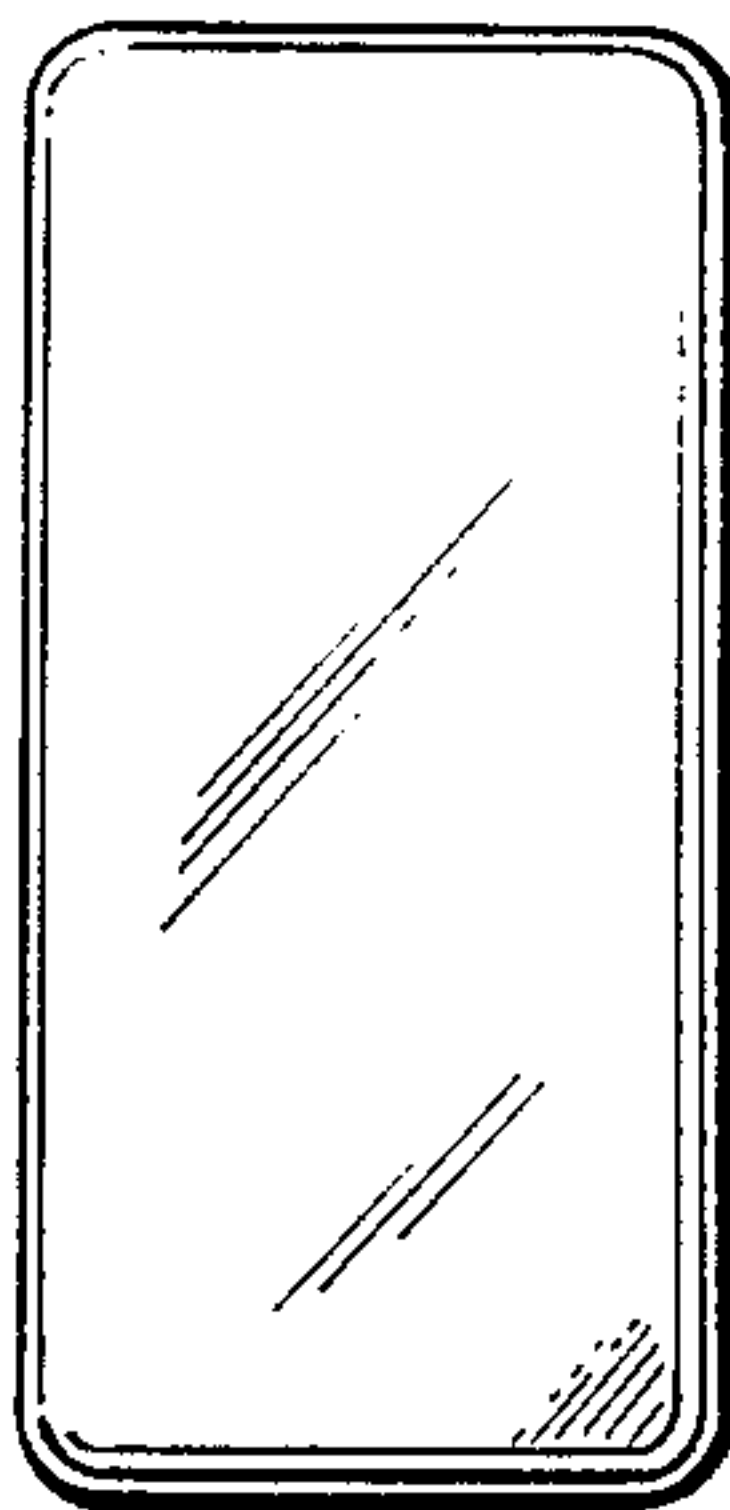


FIG. 6