

United States Patent [19]

Nakao et al.

[11] Patent Number: **Des. 313,934**

[45] Date of Patent: **** Jan. 22, 1991**

[54] **CORD CLIP**

[75] Inventors: **Shinroku Nakao, Kanagawa;
Yoshiyasu Ishii; Hiraku Kusubayashi,**
both of Tokyo, all of Japan

[73] Assignee: **Combi Corporation, Tokyo, Japan**

[**] Term: **14 Years**

[21] Appl. No.: **403,504**

[22] Filed: **Sep. 6, 1989**

[30] **Foreign Application Priority Data**

Mar. 14, 1989 [JP] Japan 1-8967

[52] U.S. Cl. **D8/395; D32/64**

[58] Field of Search **D8/395; D32/61, 64;
24/115 R, 132 R, 500, 507, 508, 509, 510**

[56] **References Cited**

U.S. PATENT DOCUMENTS

D. 277,534 2/1985 Warmath D6/328

D. 303,590 9/1989 Pelosi D6/328
D. 780,091 1/1905 Dahlgren 223/96
2,471,606 5/1949 Burns 24/511
2,840,874 7/1958 Sauerman 24/508

Primary Examiner—B. J. Bullock
Attorney, Agent, or Firm—Sughrue, Mion, Zinn,
Macpeak & Seas

[57] **CLAIM**

The ornamental design for a cord clip, as shown and described.

DESCRIPTION

FIG. 1 is a right side elevational view of a cord clip showing our new design, the opposite side being a mirror image thereof;
FIG. 2 is a top plan view thereof;
FIG. 3 is a bottom plan view thereof;
FIG. 4 is a front elevational view thereof;
FIG. 5 is a rear elevational view thereof; and
FIG. 6 is a reduced perspective view thereof, the broken lines being for illustrative purposes only.

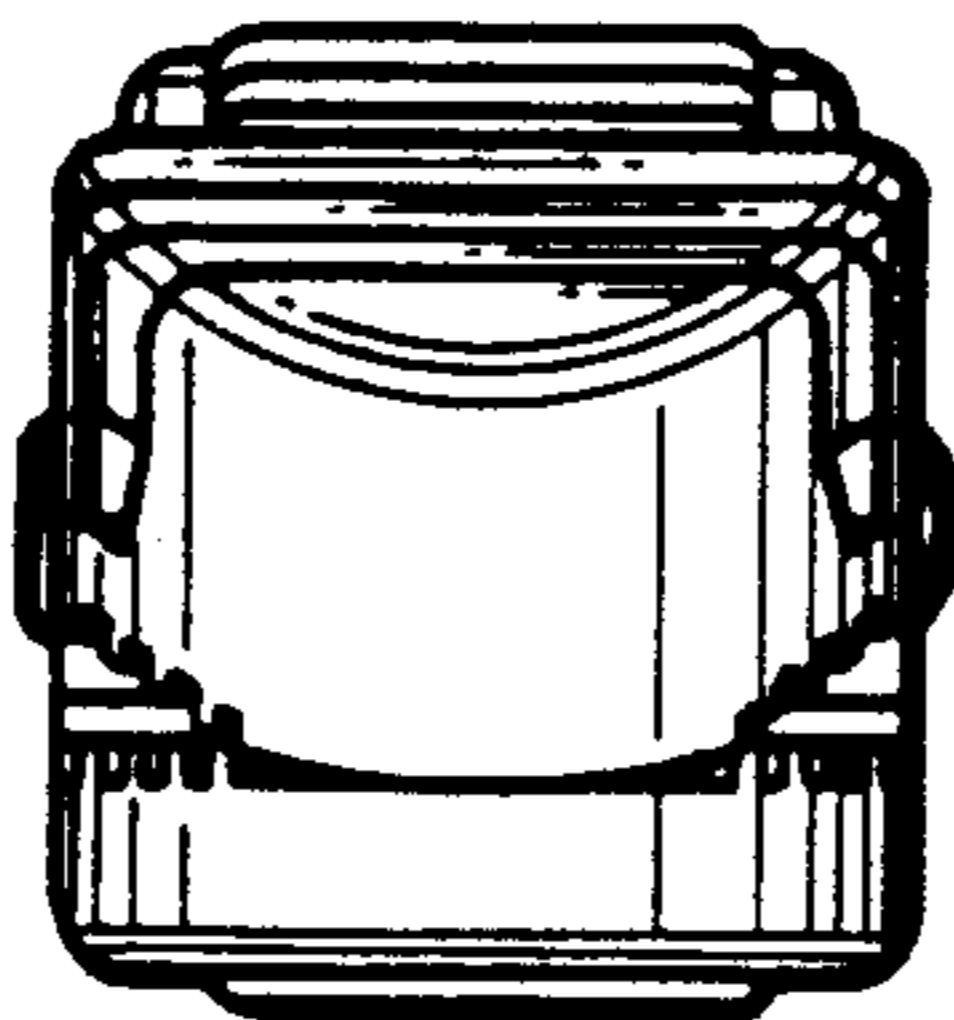
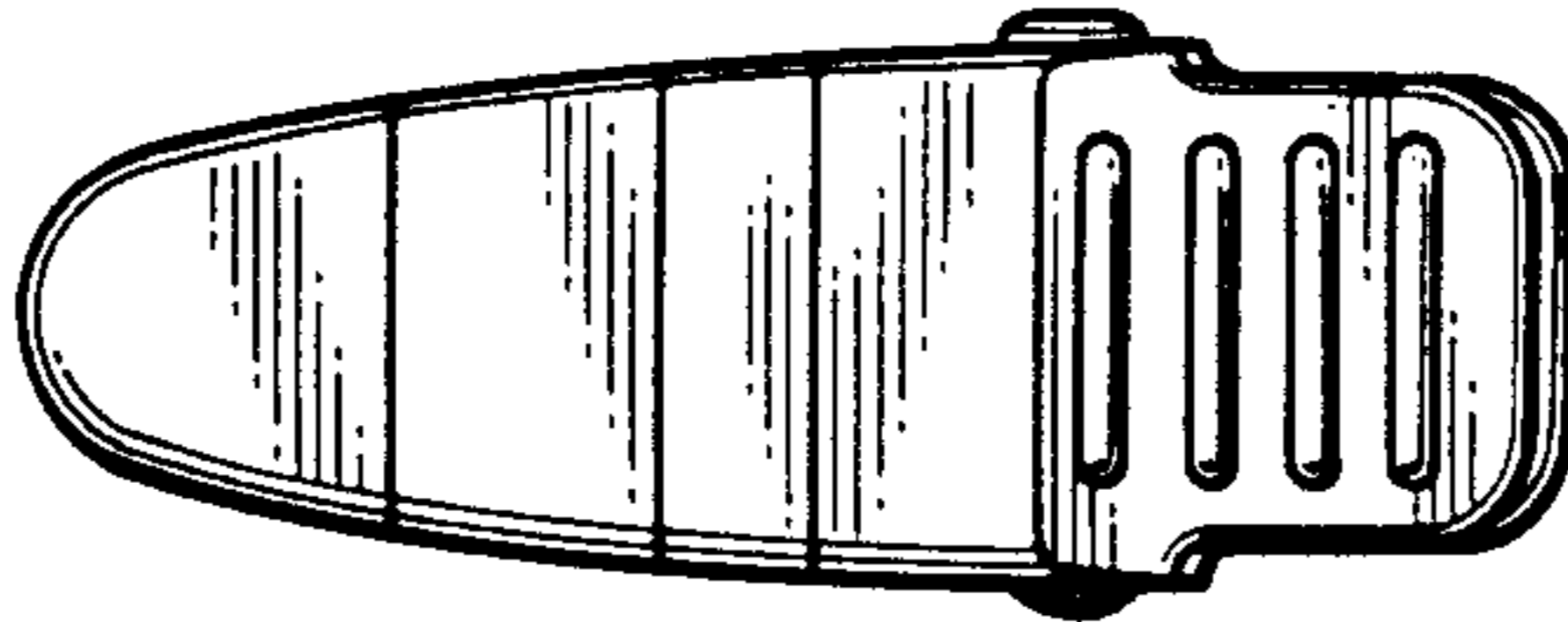
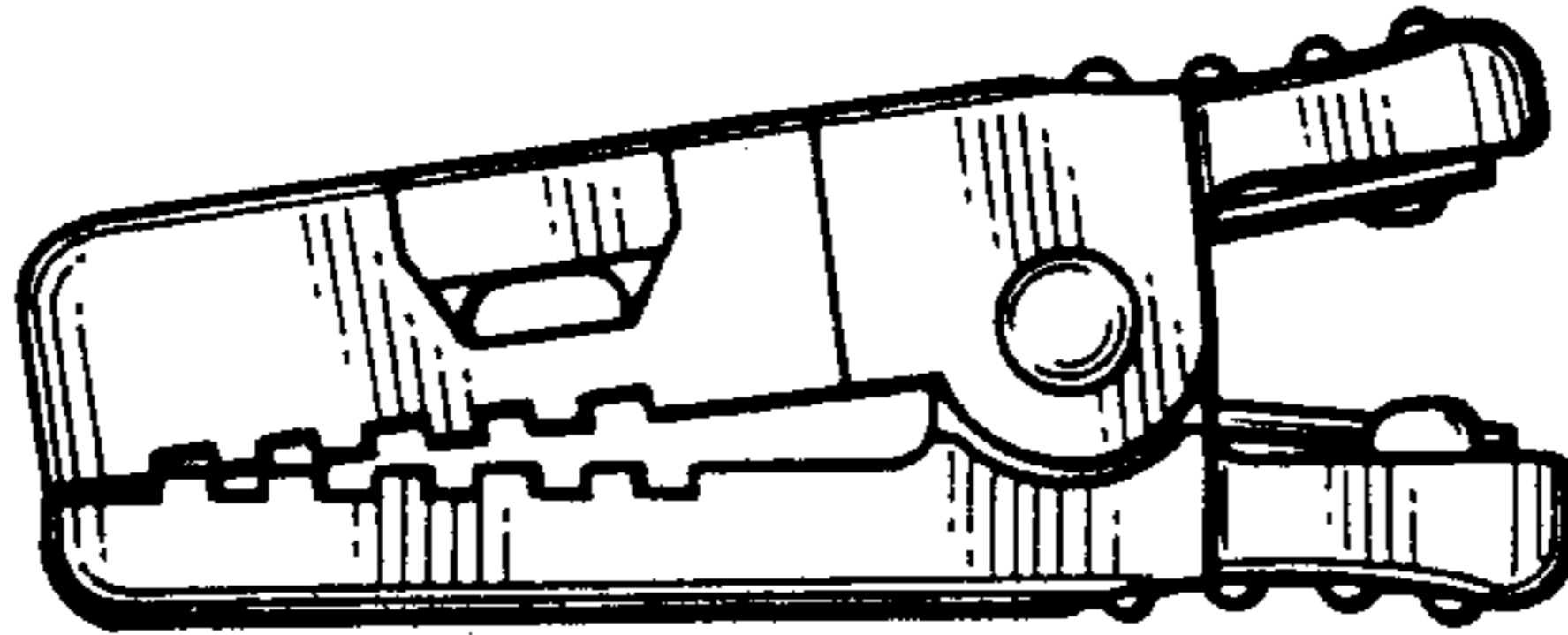


Fig. 1

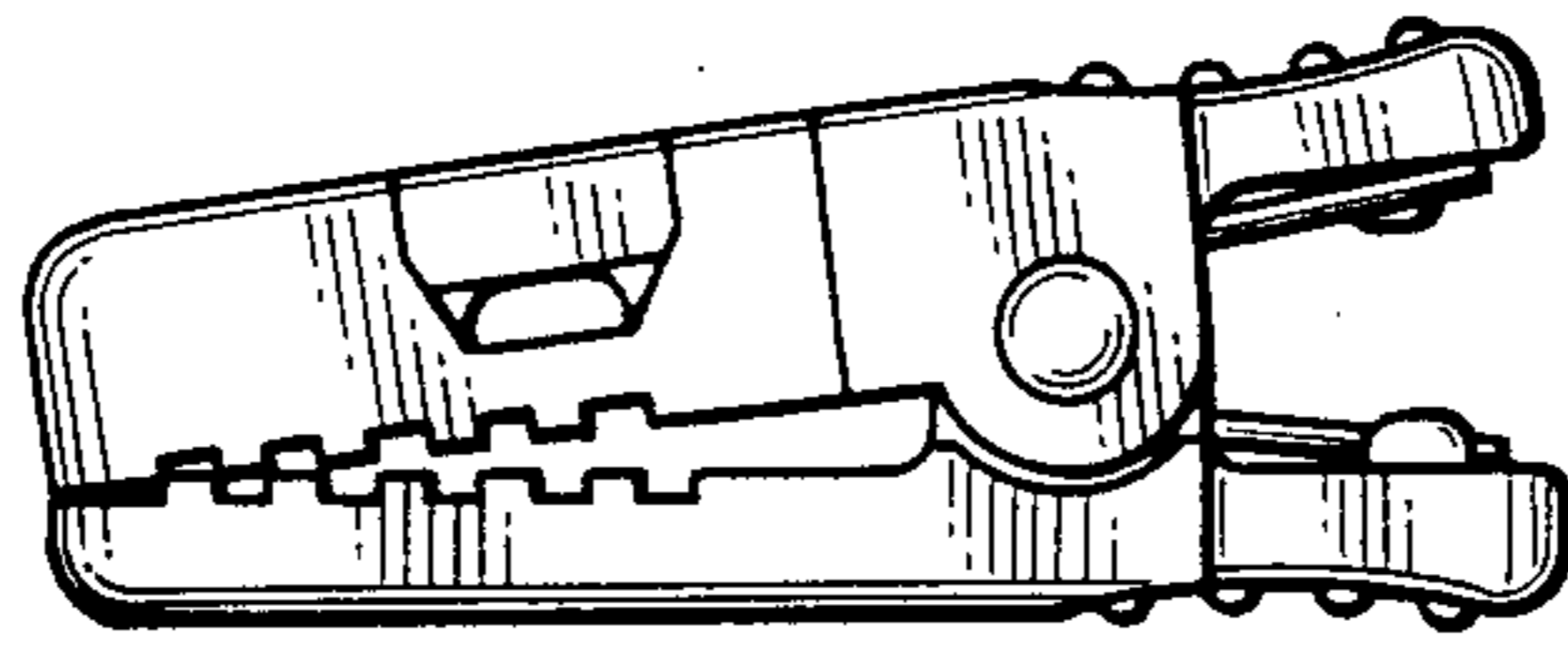


Fig. 2

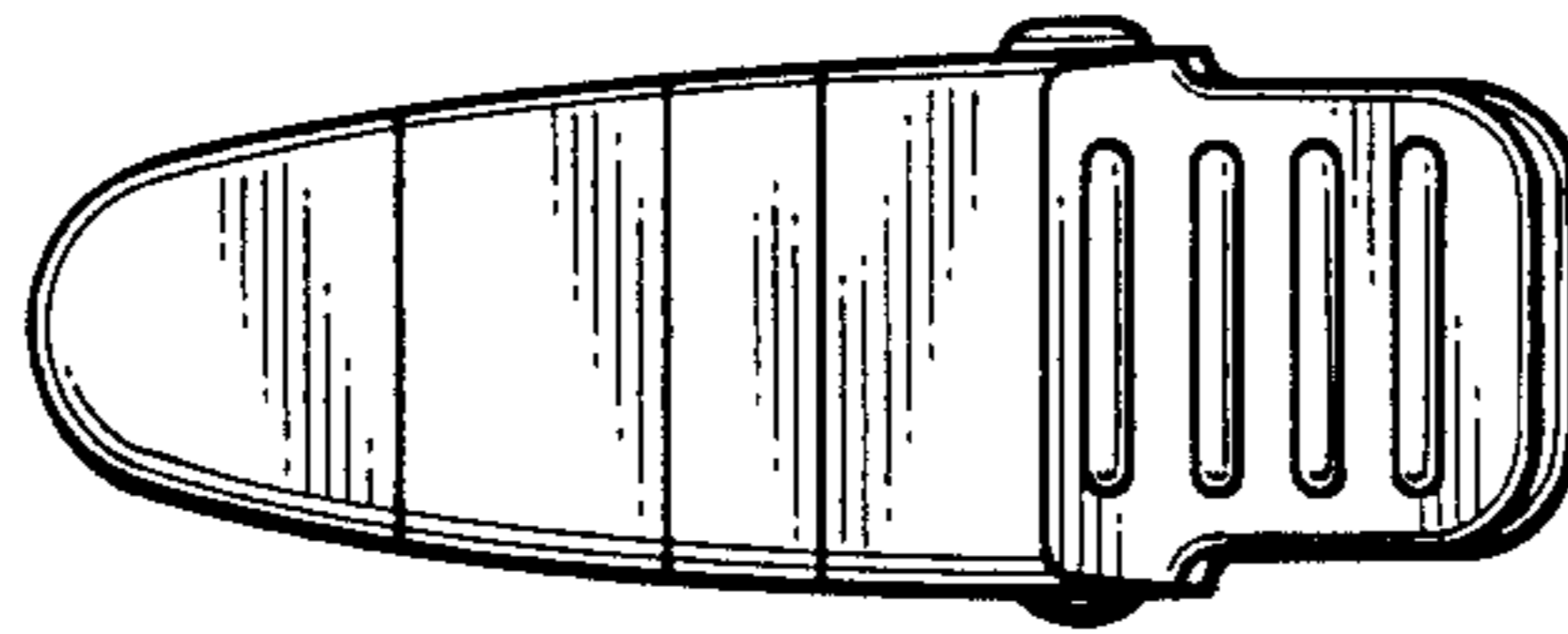


Fig. 3

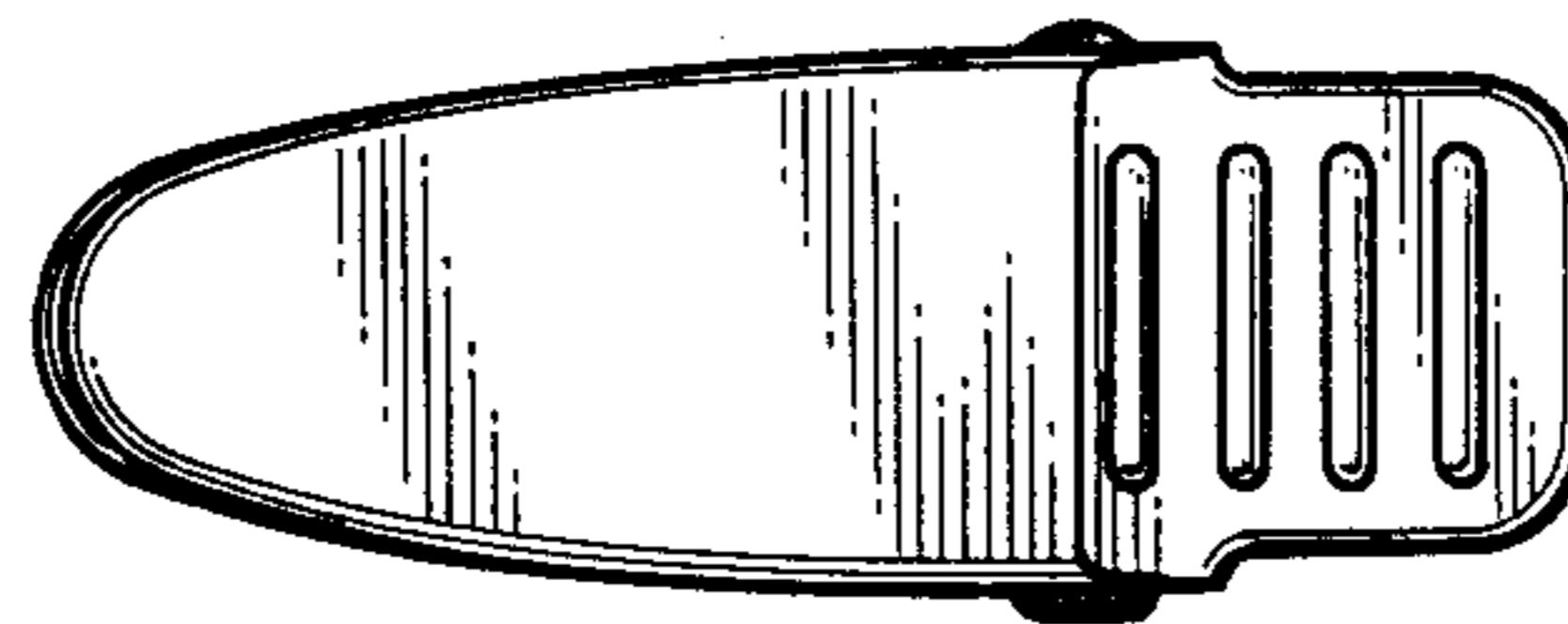


Fig. 4

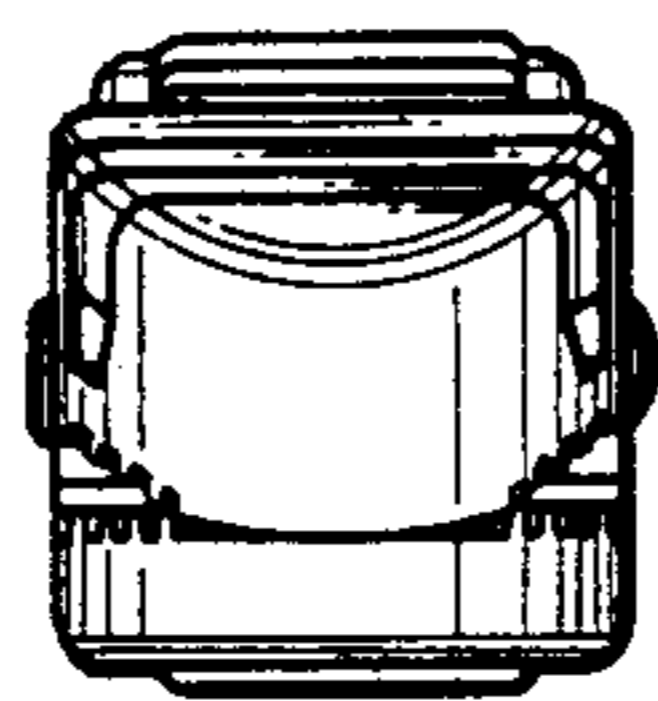


Fig. 5

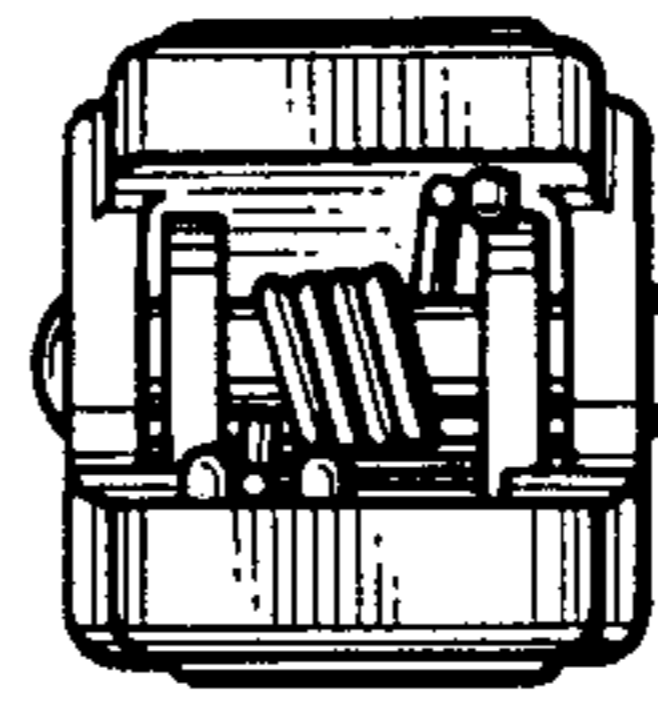


Fig. 6

