

[54] **POLY-V PULLEY**
 [75] **Inventor: Toshiaki Kanemitsu, Kobe, Japan**
 [73] **Assignee: Kabushiki Kaisha Kanemitsu, Akashi, Japan**
 [**] **Term: 14 Years**
 [21] **Appl. No.: 240,249**
 [22] **Filed: Sep. 6, 1988**
 [52] **U.S. Cl. D8/360**
 [58] **Field of Search D8/360; 474/170, 168; 29/159 R; 74/230.7; 72/82, 105**

4,273,547 6/1981 Bytzek 474/170
 4,313,323 2/1982 Kanemitsu D8/360
 4,455,853 6/1984 Kanemitsu 72/84
 4,518,374 5/1985 Kanemitsu 474/170
 4,525,595 6/1985 Oda 72/84
 4,551,122 11/1985 Kraft et al. 474/170

FOREIGN PATENT DOCUMENTS

2822056 11/1979 Fed. Rep. of Germany 474/170
 508176 1/1955 Italy 474/170
 558013 7/1954 Japan .
 11260 5/1979 Japan 72/105
 587748 2/1980 Japan .
 143863 11/1981 Japan 29/159 R
 90459 6/1982 Japan 29/159 R
 195551 12/1982 Japan 29/159 R
 128564 8/1983 Japan 29/159 R
 163538 9/1983 Japan 29/159 R
 13535 1/1984 Japan 29/159 R

[56] **References Cited**

U.S. PATENT DOCUMENTS

D. 266,982 11/1982 Kanemitsu D8/360
 D. 266,983 11/1982 Kanemitsu D8/360
 D. 266,984 11/1982 Kanemitsu D8/360
 D. 267,472 1/1983 Kanemitsu D8/360
 D. 267,540 1/1983 Kanemitsu D8/360
 D. 267,541 1/1983 Kanemitsu D8/360
 D. 268,092 3/1983 Kanemitsu D8/360
 D. 275,176 8/1984 Kanemitsu D8/360
 D. 275,365 9/1984 Kanemitsu D8/360
 D. 276,409 11/1984 Kanemitsu D8/360
 D. 277,547 2/1982 Kanemitsu D8/360
 2,139,833 12/1938 LeJeune et al. 29/159.1
 2,471,906 5/1949 Smith 474/170
 2,656,730 10/1953 Mitchell 29/159 R
 2,787,914 4/1957 Nelson 474/168
 2,878,551 3/1959 Woodward 29/159.1
 3,368,376 2/1968 Previte 72/82
 3,457,751 7/1969 Lindeman 72/105
 3,722,309 3/1973 Shaffer 474/169
 3,772,928 11/1973 Gobeille 74/230.7
 3,838,485 10/1974 Oldford 474/170
 3,907,371 9/1975 Leudi et al. 29/159.1
 3,945,102 3/1976 Kotlar 29/159 R
 3,953,995 5/1976 Haswell et al. 72/105
 3,962,926 6/1976 Kotlar 474/168
 3,977,264 8/1976 Sproul 29/159 R
 3,994,181 11/1976 Sproul 474/170
 4,050,321 9/1977 Kraft 74/230.8
 4,059,023 11/1977 Sproul 474/170
 4,078,410 3/1978 Lemmo 72/82
 4,080,704 3/1978 Blakesley 29/159 R
 4,083,215 4/1978 Guetzlaff 72/82
 4,086,798 5/1978 Lemmo 72/82
 4,197,756 4/1980 Yaros 74/230

Primary Examiner—Wallace R. Burke
Assistant Examiner—Holly H. Bayham
Attorney, Agent, or Firm—Jones, Tullar & Cooper

[57] **CLAIM**

The ornamental design for a poly-V pulley, as shown and described.

DESCRIPTION

FIG. 1 is a top perspective view of a poly-V pulley showing my new design;
 FIG. 2 is a front elevation view thereof;
 FIG. 3 is a top plan view thereof;
 FIG. 4 is a side elevation view thereof;
 FIG. 5 is a bottom plan view thereof;
 FIG. 6 is a section view taken along the line 6—6 in FIG. 4.
 FIG. 7 is a top perspective view of an alternative embodiment to that illustrated in FIGS. 1-6, in which there are no 4 elliptic openings.
 FIG. 8 is a top plan view of the alternative embodiment shown in FIG. 7;
 FIG. 9 is a bottom plan view of the alternative embodiment shown in FIG. 7;
 FIG. 10 is a section view taken along the line 10—10 in FIG. 9.
 Both a front elevation view and a side elevation view of the alternative embodiment shown in FIGS. 7-10 are the same as those in FIGS. 2 and 4.

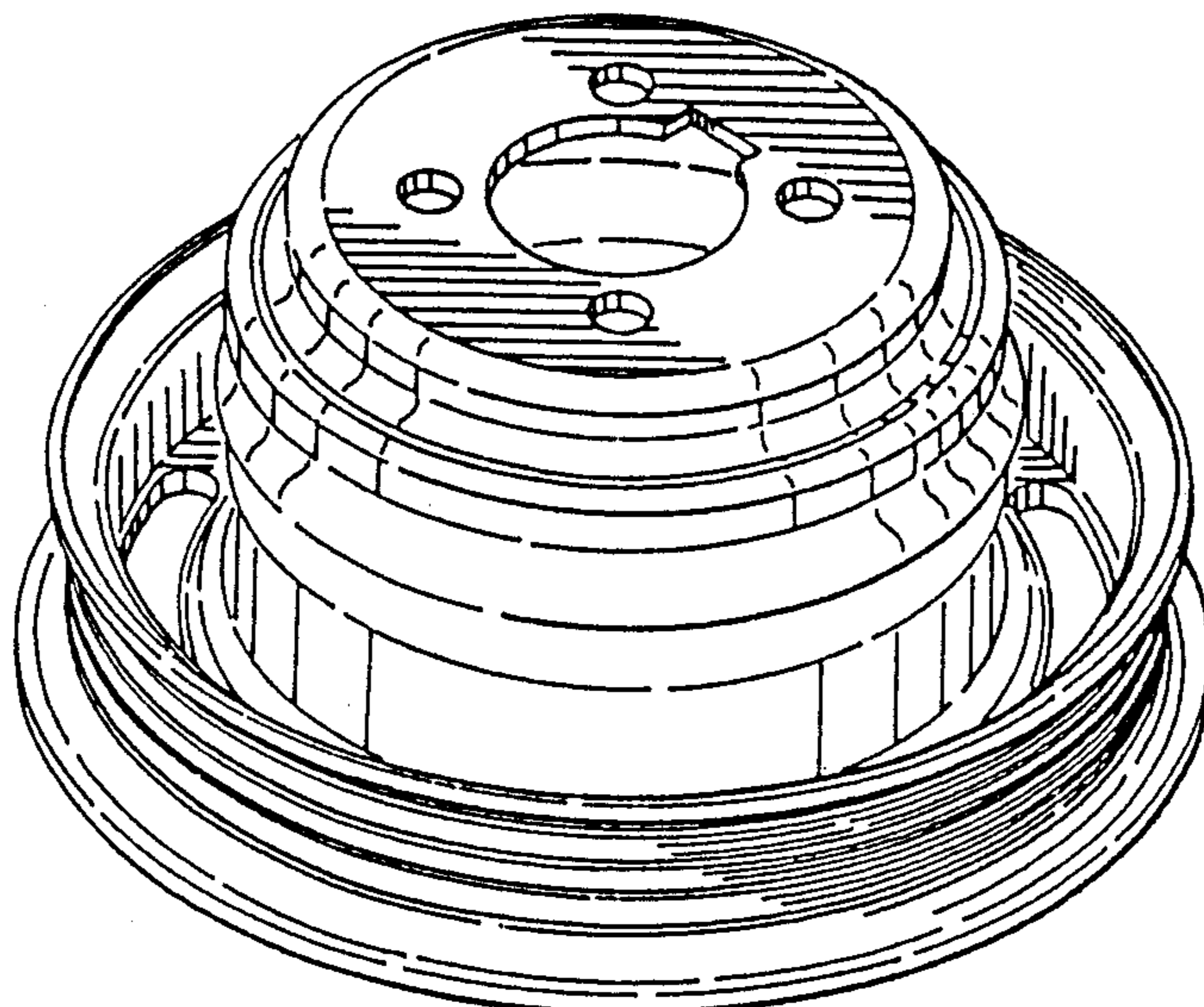


FIG. 1

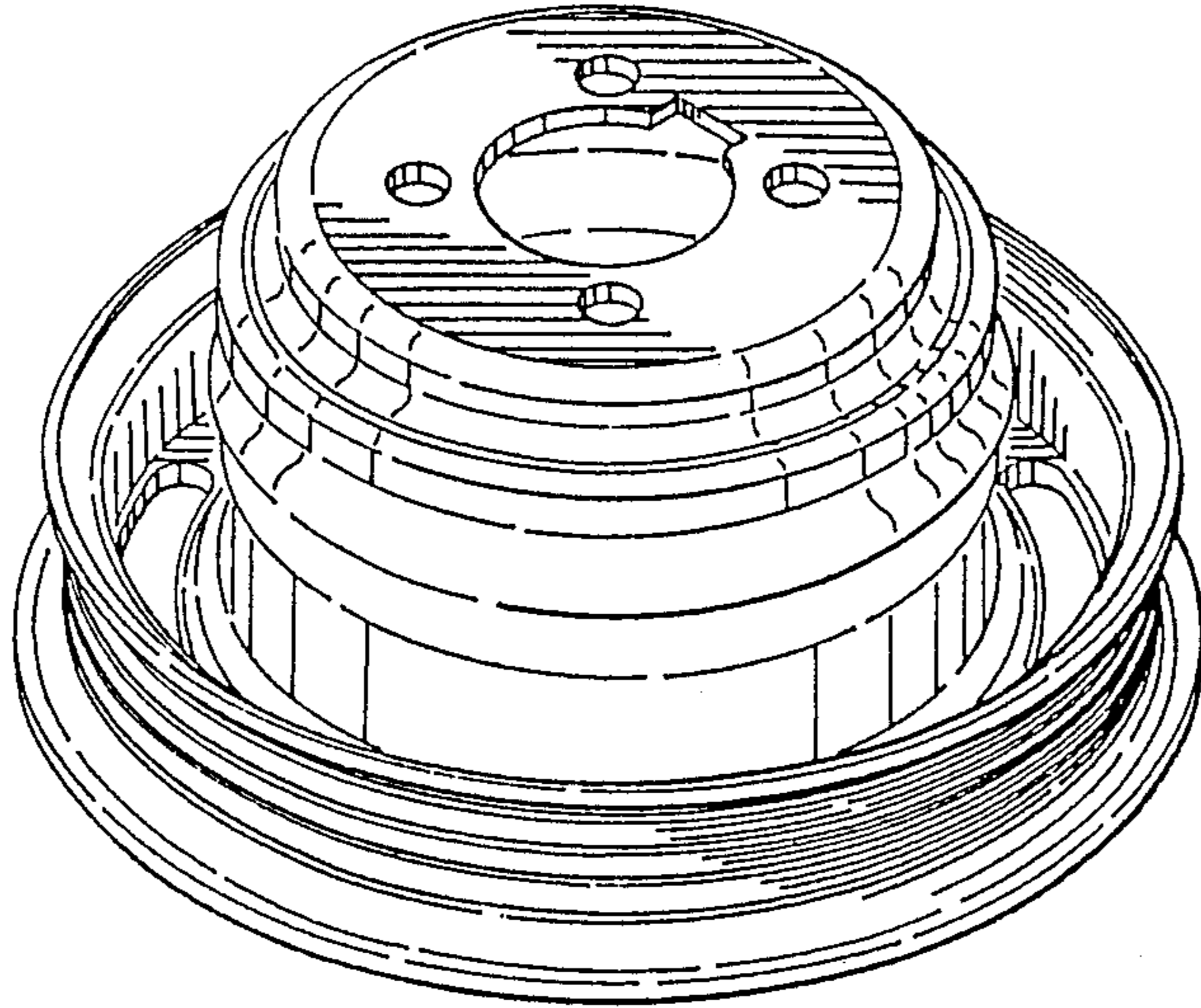


FIG. 2

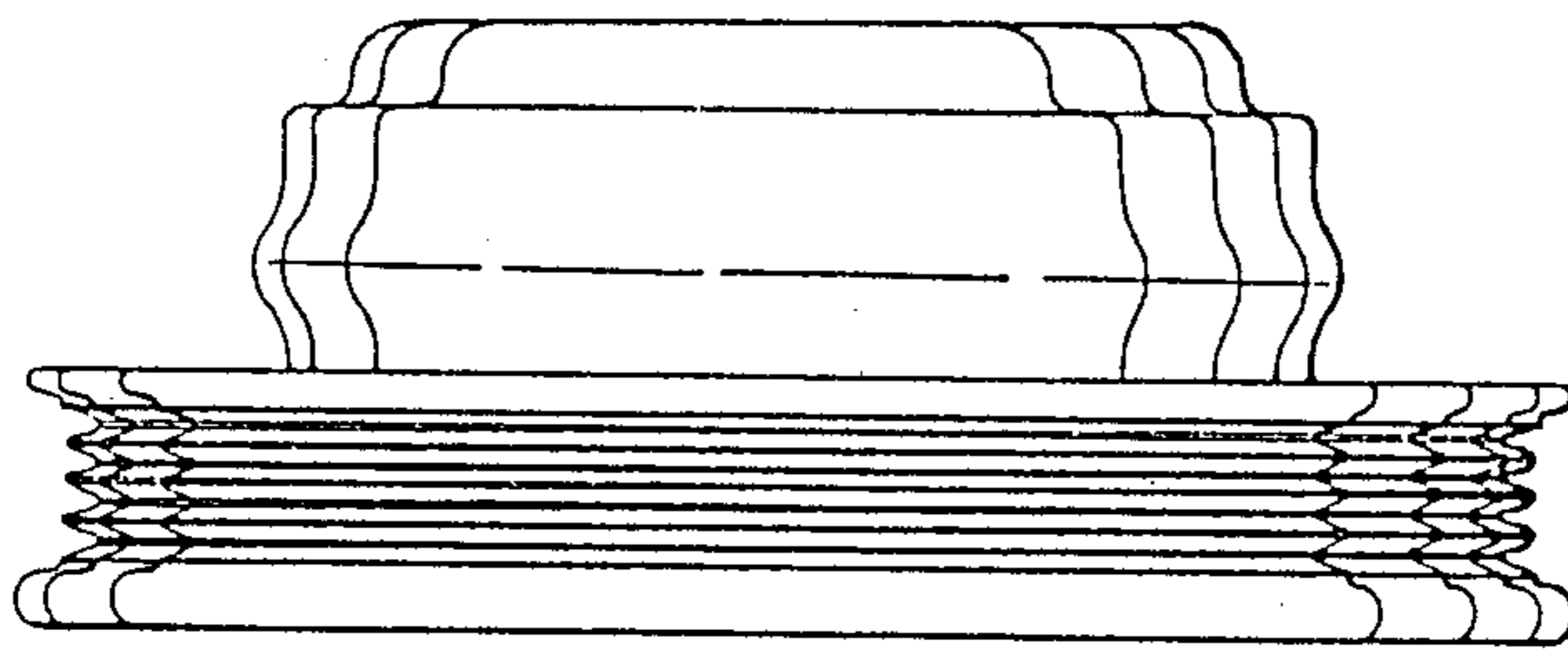


FIG. 3

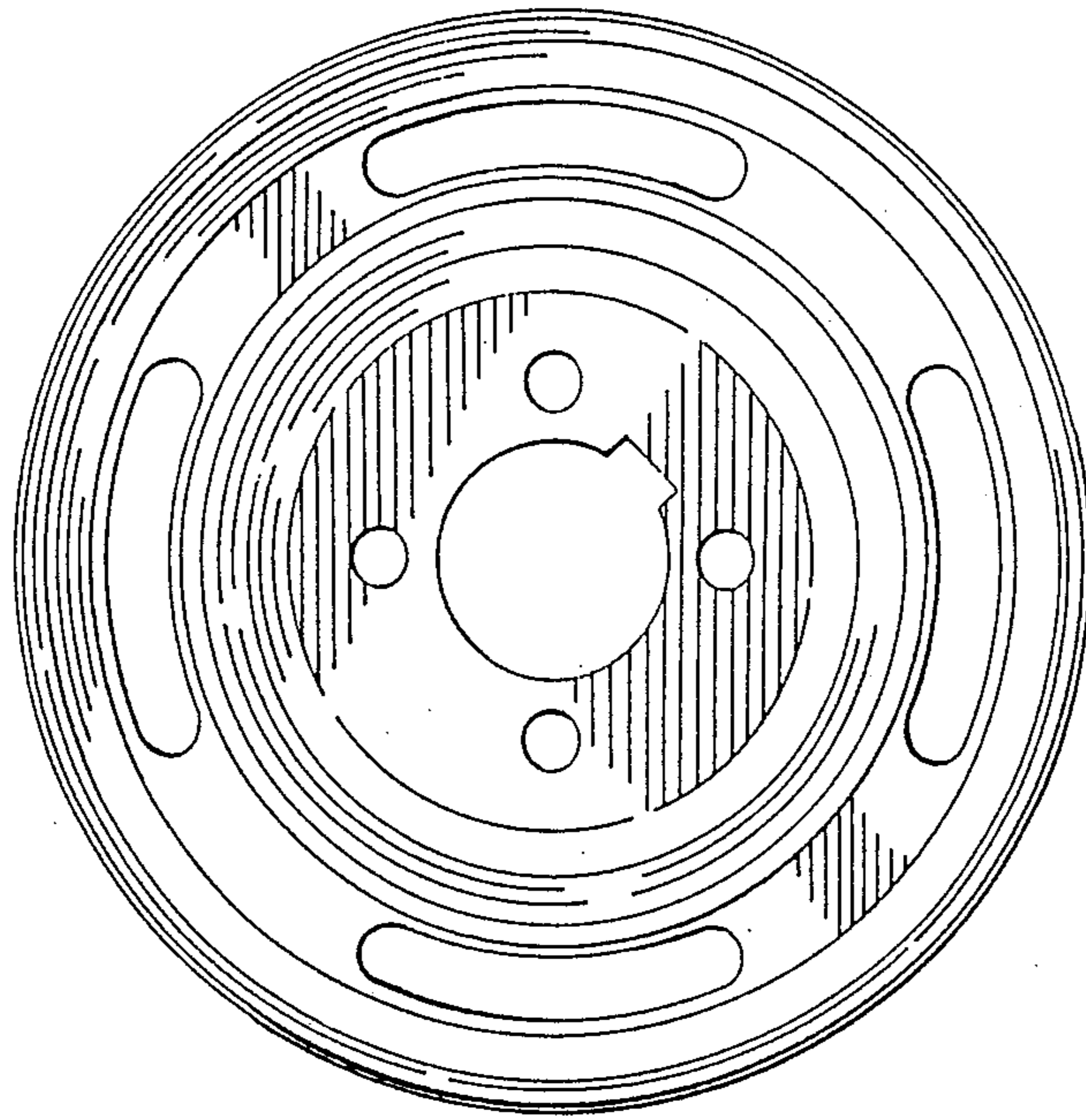


FIG. 4

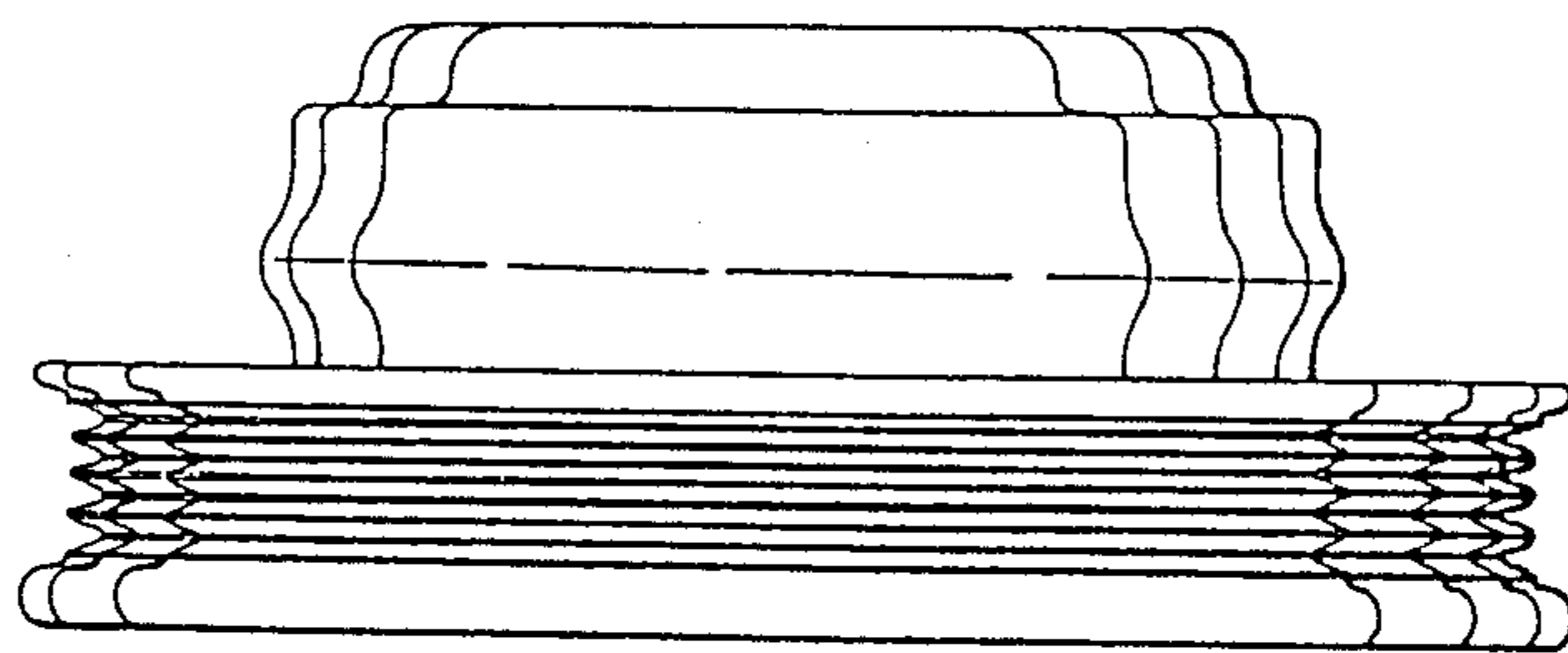


FIG. 5

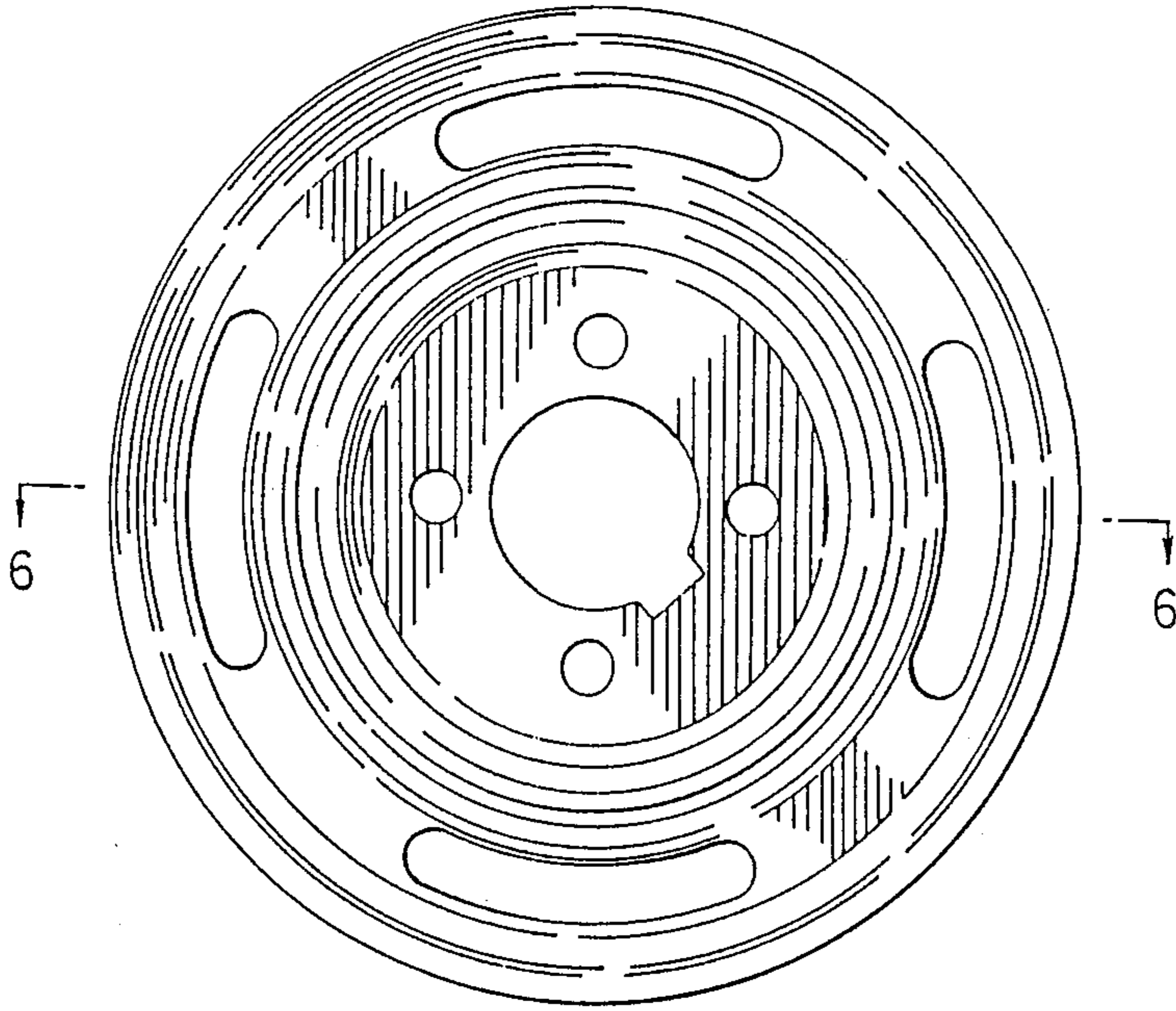


FIG. 6

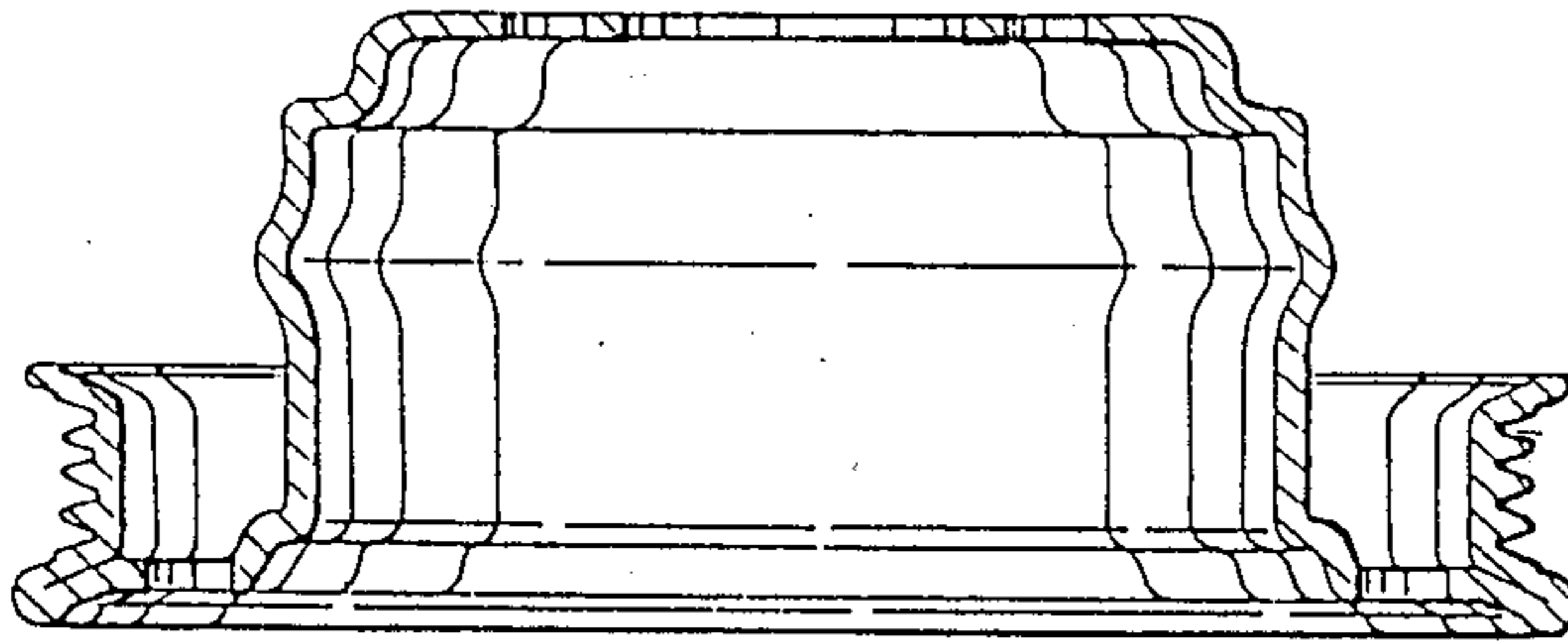


FIG. 7

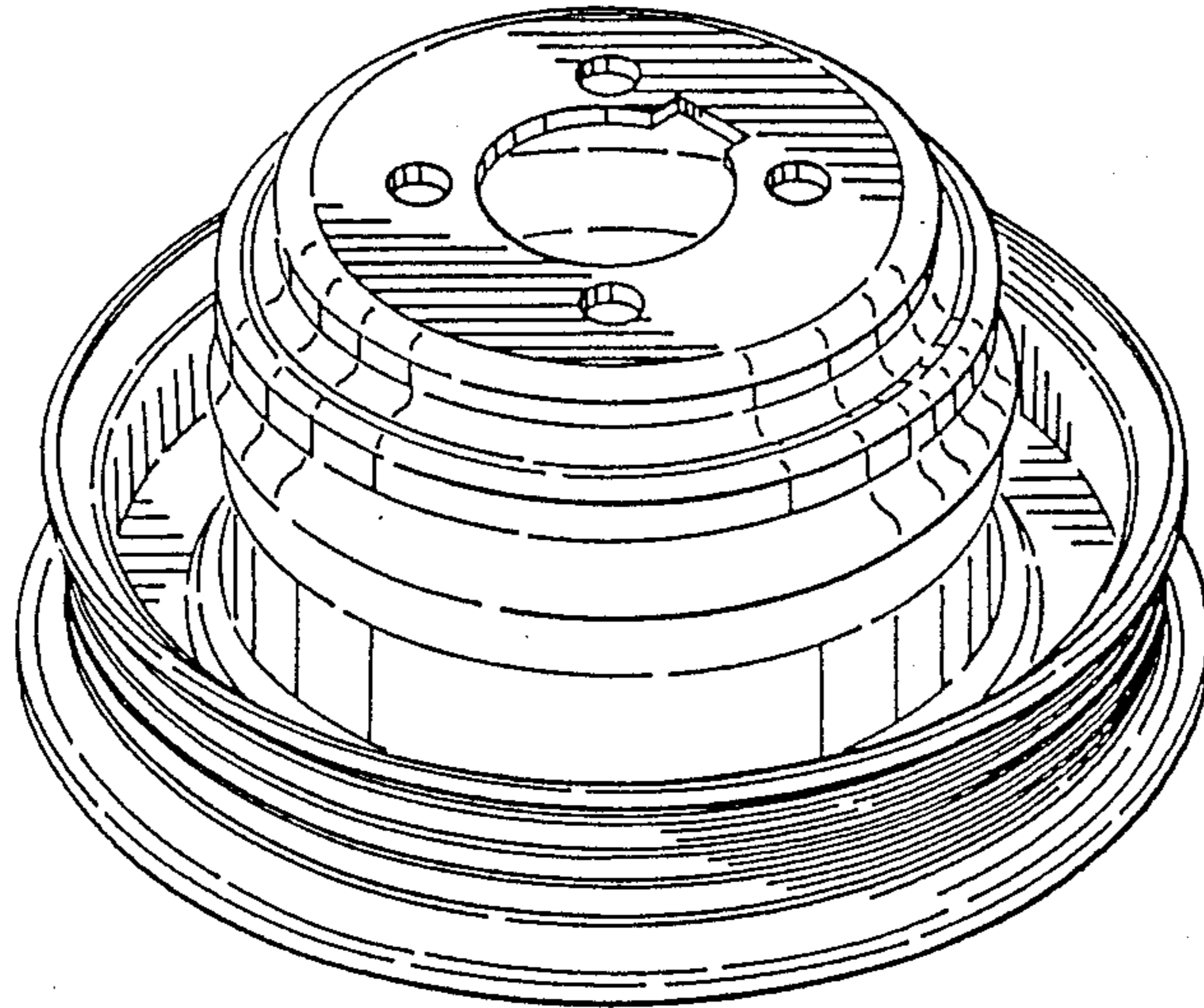


FIG. 8

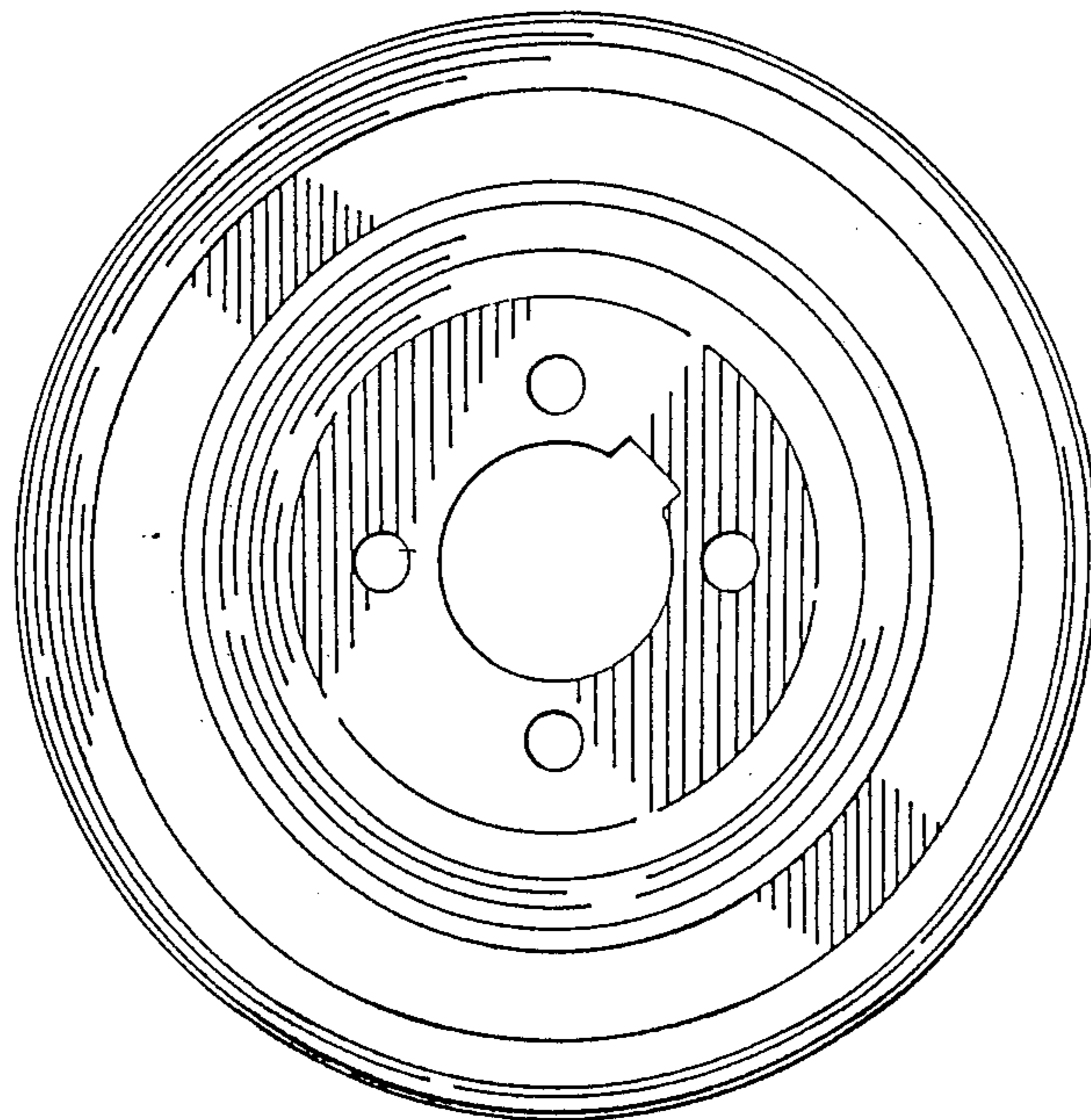


FIG. 9

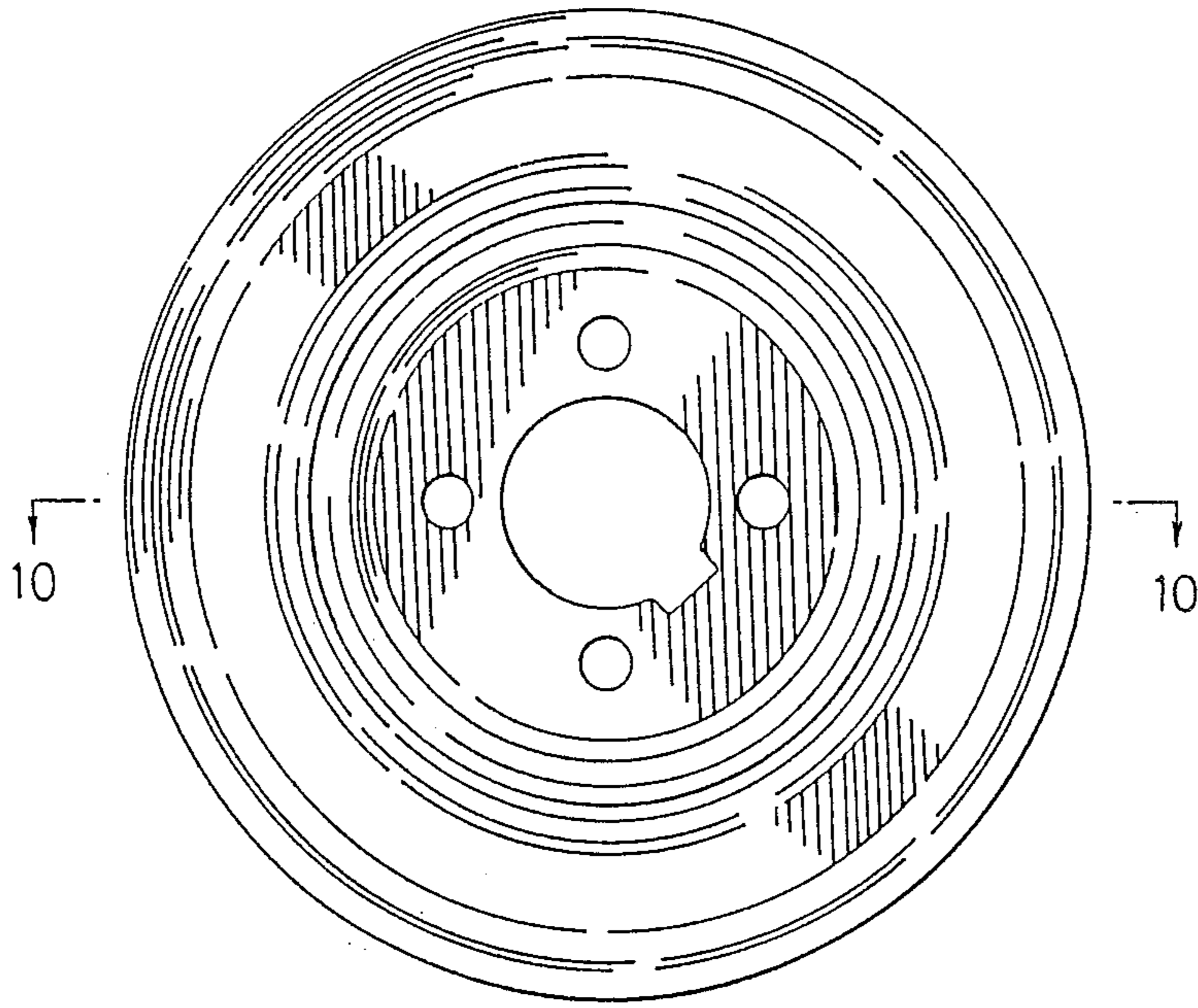


FIG. 10

