

[54] **DOUBLE WHEEL CASTOR WITH STABILIZER AND VIBRATION DAMPER FOR TRANSPORT OF HEAVY MACHINES**

[75] Inventor: **Masaru Orii**, Tokyo, Japan

[73] Assignee: **Kabushikigaisha Orii**, Kanagawa, Japan

[\*\*] Term: **14 Years**

[21] Appl. No.: **184,624**

[22] Filed: **Apr. 22, 1988**

[30] **Foreign Application Priority Data**

Oct. 27, 1987 [JP] Japan ..... 62-43847

[52] U.S. Cl. .... **D8/375**

[58] Field of Search ..... D8/375, 374; 248/24, 248/26, 29, 33, 35 R; 188/1.12; 16/29, 35, 33

[56] **References Cited**

**U.S. PATENT DOCUMENTS**

D. 221,616	8/1971	Hollander	.....	D8/374	X
1,532,064	3/1925	Neiswender	.....	16/29	X
1,604,723	10/1926	Rutherford	.....	16/29	X
1,895,882	1/1933	Herold	.....	16/29	X
2,490,953	12/1949	Eriksen	.....	16/35	X

3,455,526	7/1969	Orii	.....	248/24	X
3,602,464	8/1971	Orii	.....	248/24	
3,789,796	4/1975	Whyte	.....	16/33	X
3,967,342	7/1976	Gebbard	.....	16/29	X
4,385,415	5/1983	Volz	.....	16/29	
4,759,098	7/1988	Ko	.....	16/29	

Primary Examiner—Horace B. Fay, Jr.  
Attorney, Agent, or Firm—Collard, Roe, & Galgano

[57] **CLAIM**

The ornamental design for a double wheel castor with stabilizer and vibration damper for transport of heavy machines, as shown and described.

**DESCRIPTION**

FIG. 1 is a left side, top and front perspective view of a double wheel castor with stabilizer and vibration damper for transport of heavy machines showing my new design;

FIG. 2 is a left side elevational view thereof;

FIGS. 3 and 4 are respectively rear and front elevational views thereof;

FIG. 5 is a right side elevational view thereof;

FIGS. 6 and 7 are respectively top and bottom plan views thereof; and

FIG. 8 is a left side elevational view thereof with the vibration damper in lowered position.

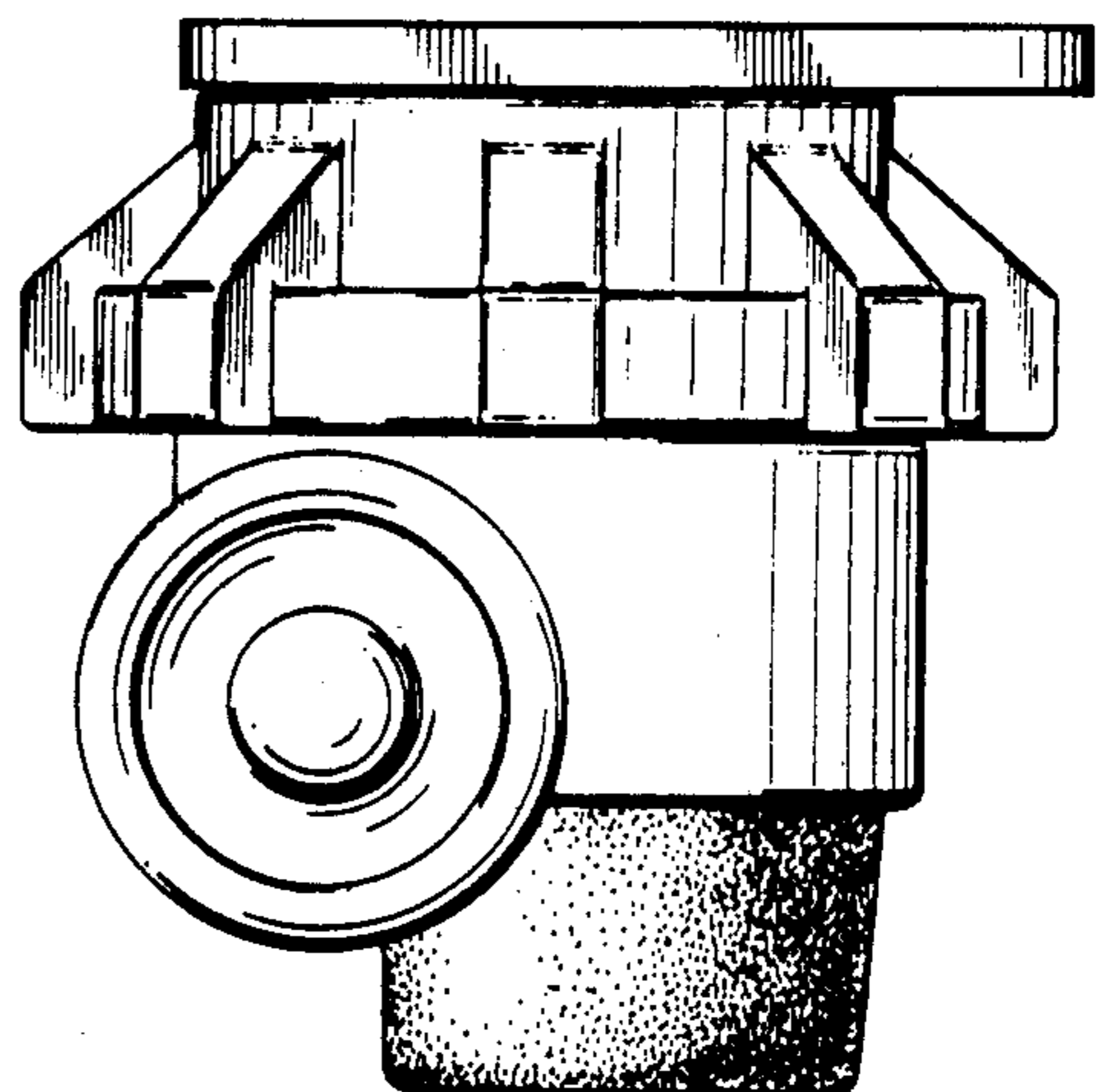
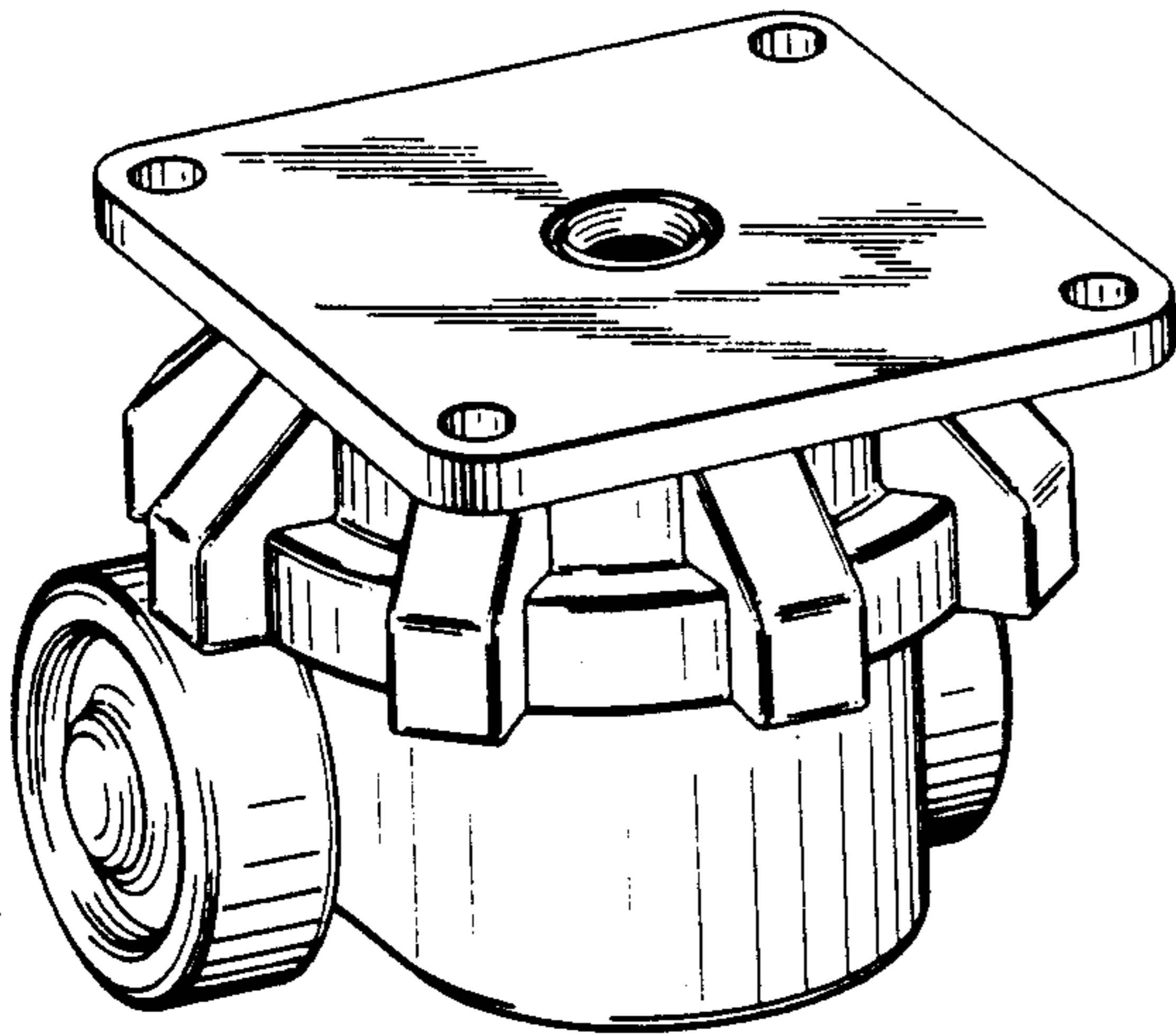


FIG. 1

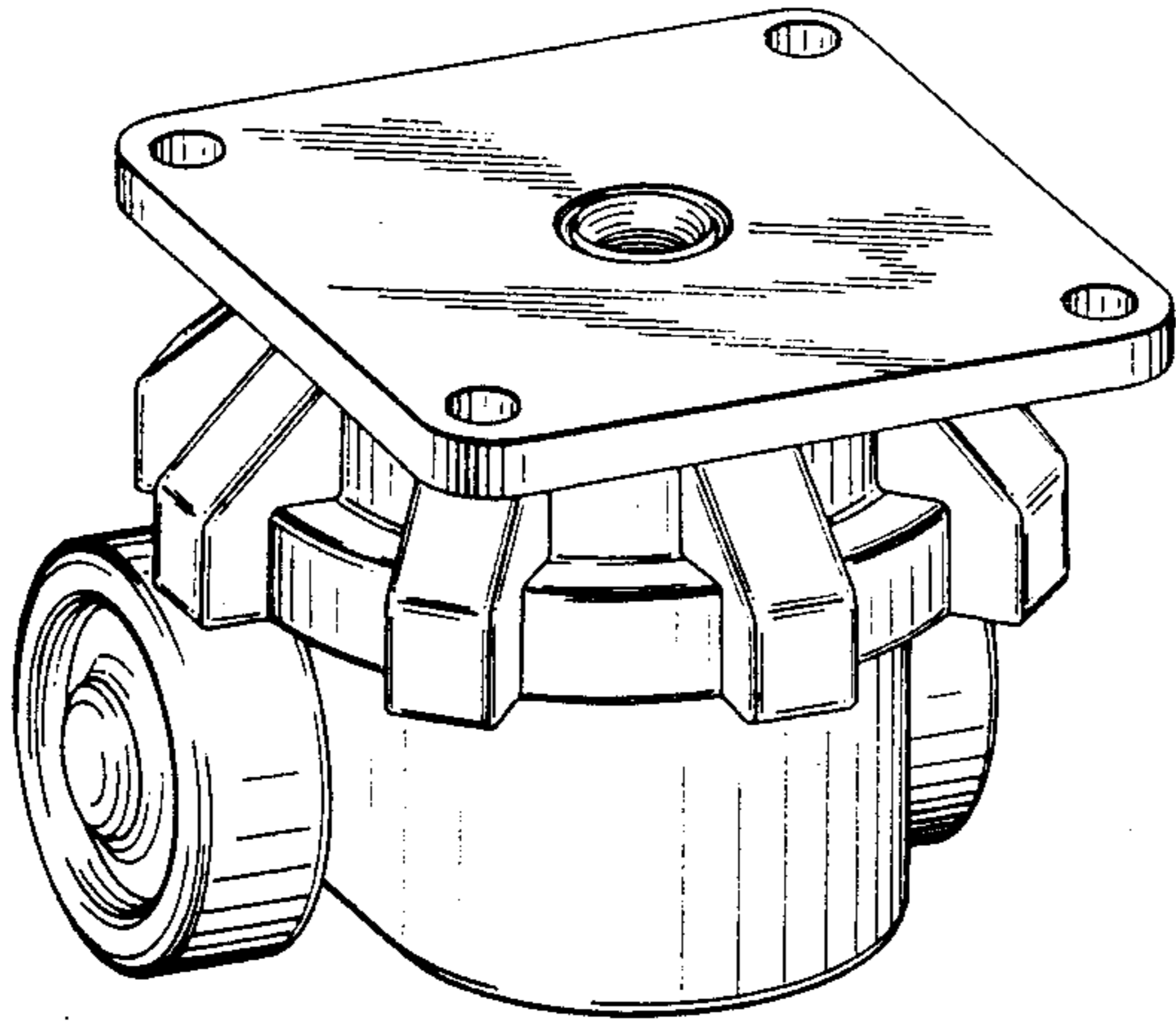


FIG. 2

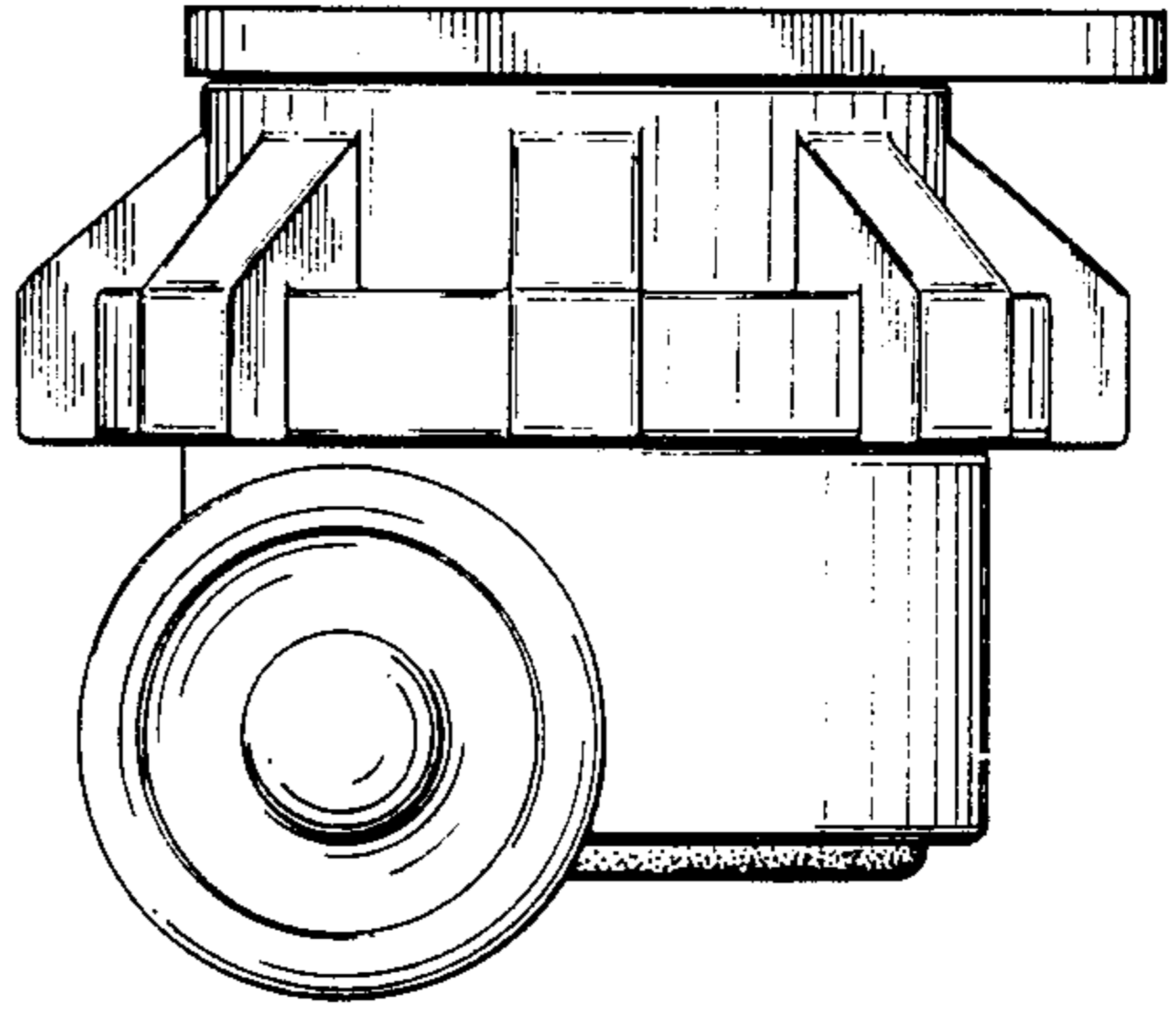


FIG. 3

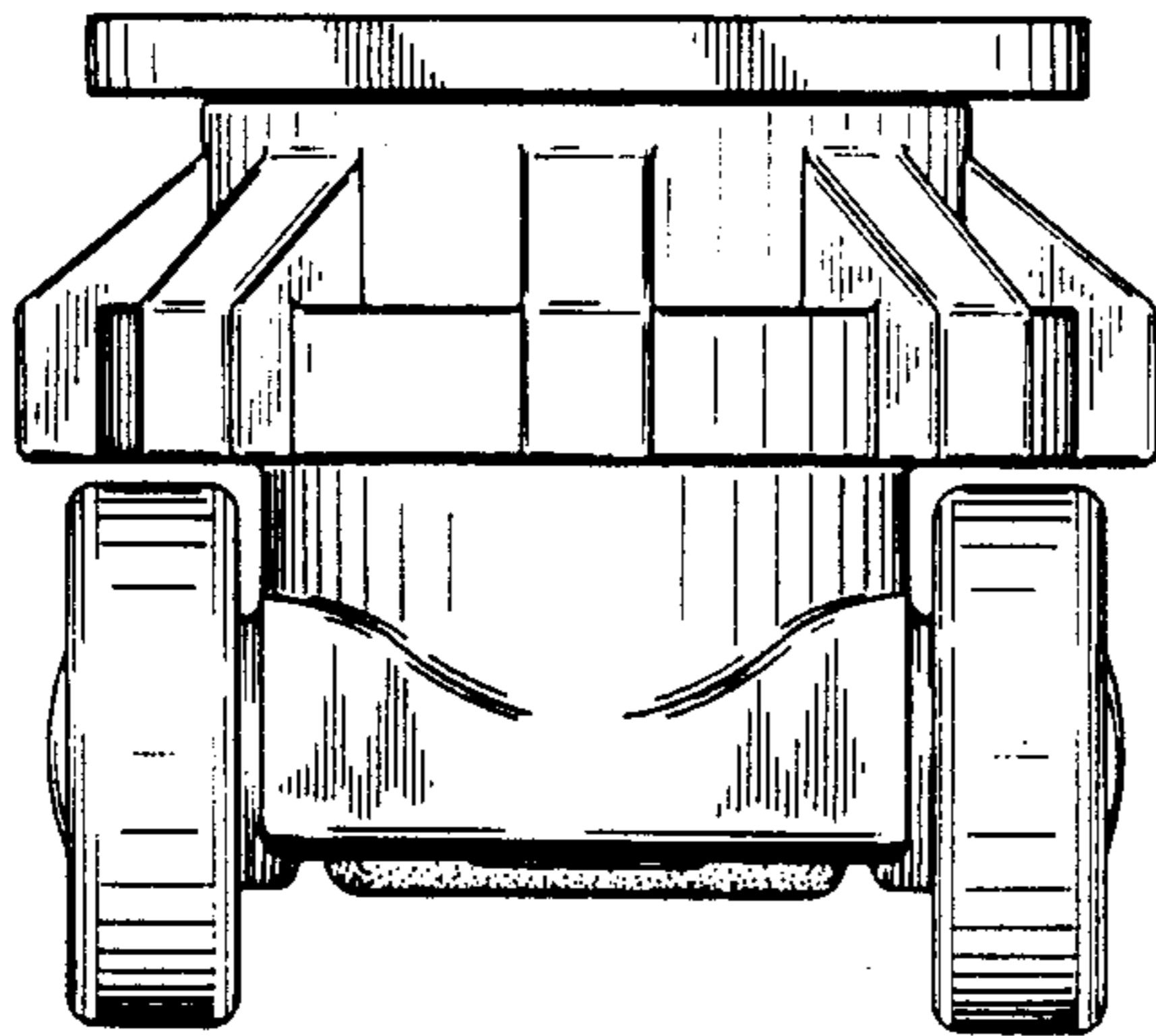


FIG. 4

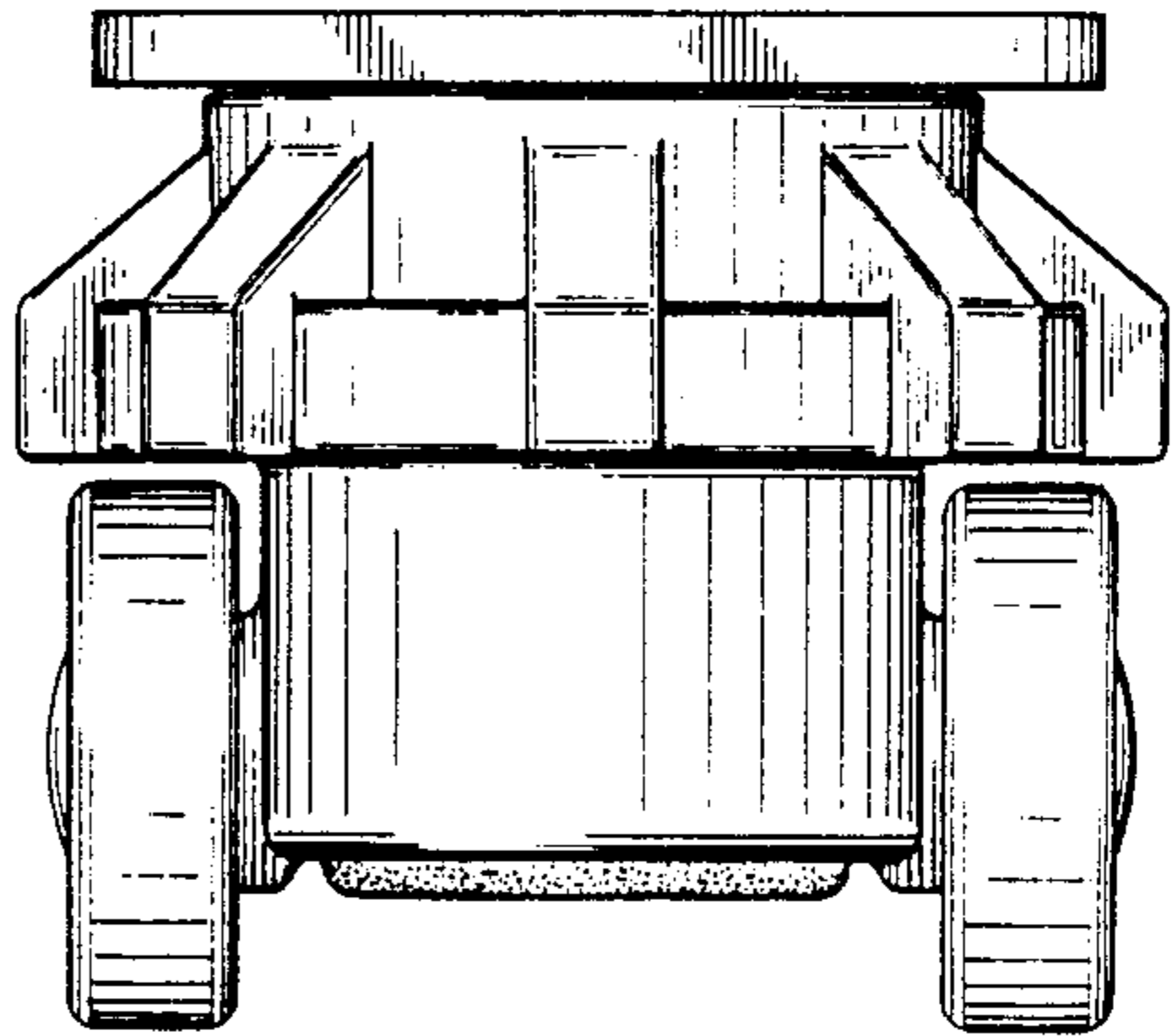


FIG. 5

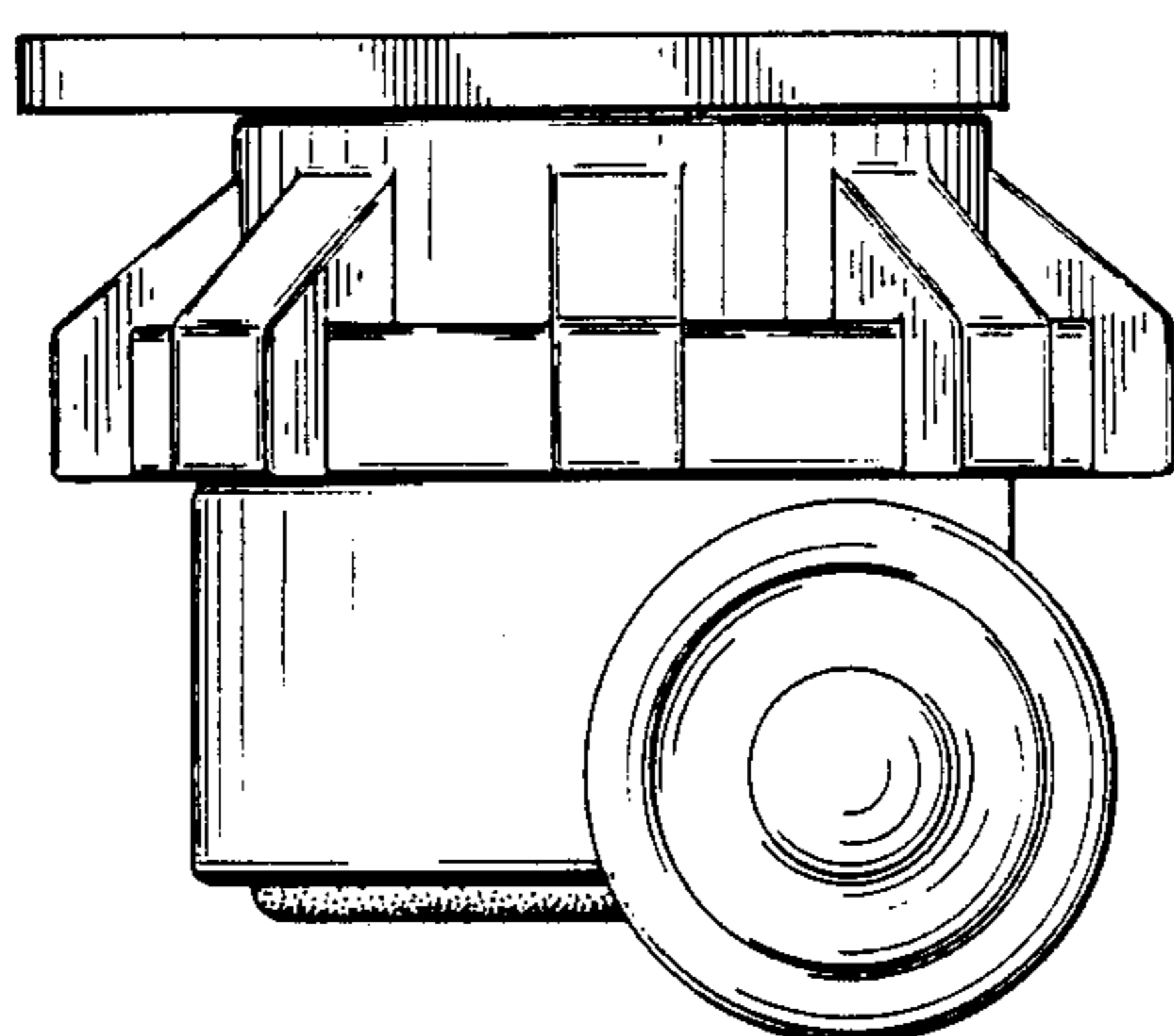


FIG. 6

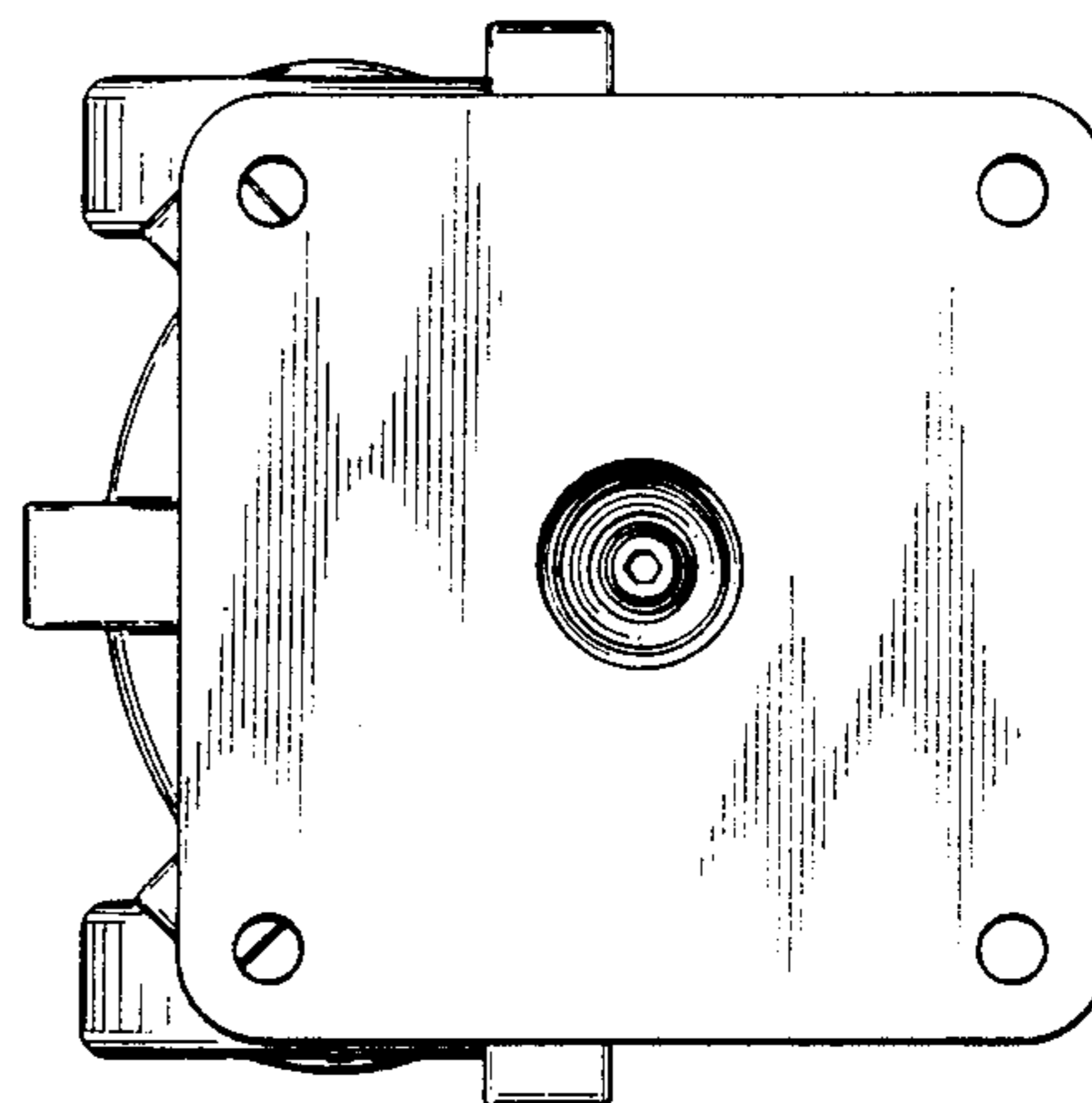


FIG. 7

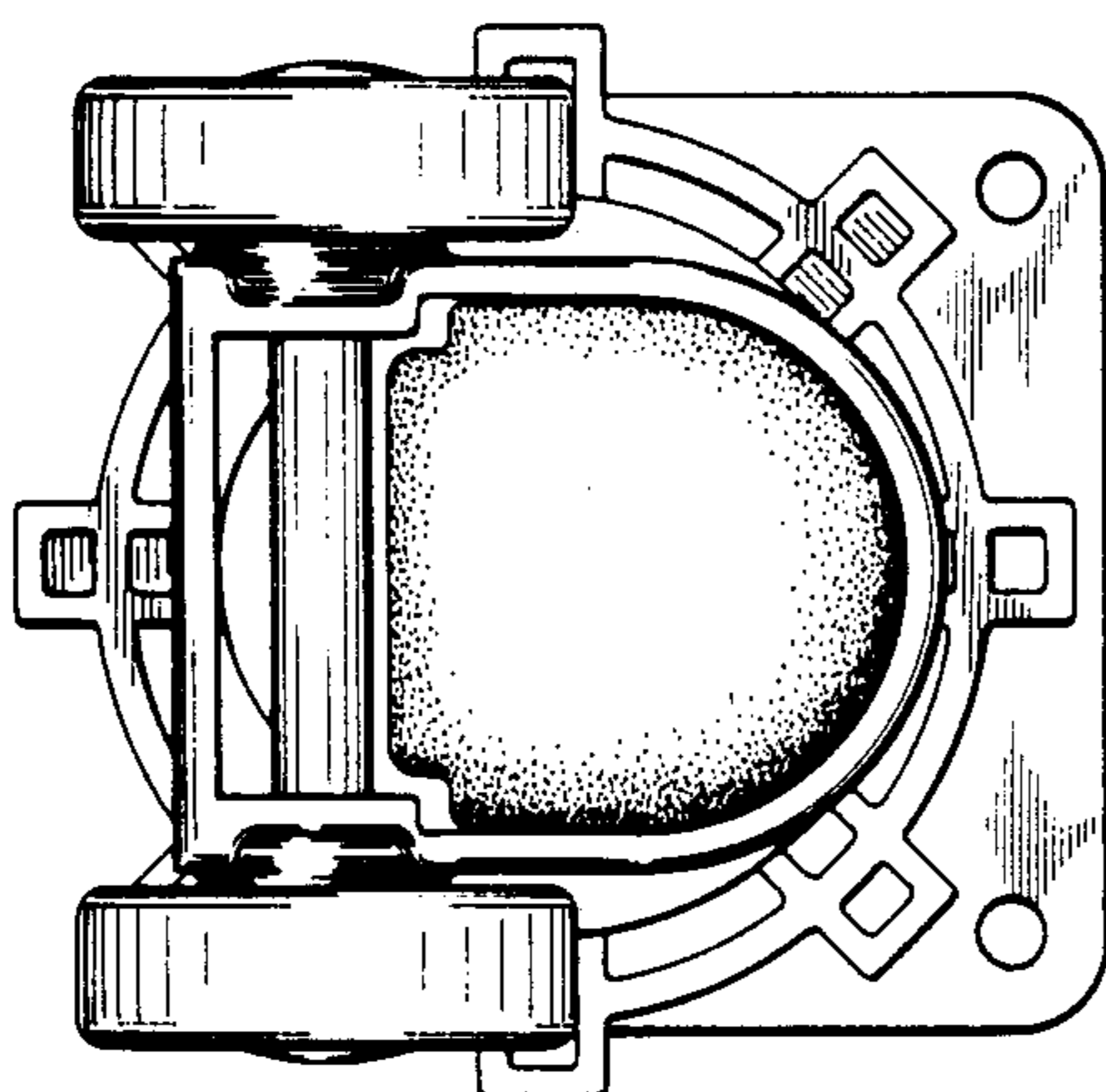


FIG. 8

