

United States Patent [19]

Cone

[11] Patent Number: Des. 313,925

[45] Date of Patent: ** Jan. 22, 1991

[54] REVERSABLE ADJUSTABLE WRENCH

1,193,326 8/1916 Westcott 81/179
4,520,699 6/1985 Jeremic D8/17 X

[75] Inventor: Richard E. Cone, Dayton, Ohio

[73] Assignees: SPE Investments, Inc.; Midwest Tool and Cutlery Company, both of Sturgis, Mich.

[**] Term: 14 Years

[21] Appl. No.: 203,018

[22] Filed: Jun. 6, 1988

[52] U.S. Cl. D8/22

[58] Field of Search D8/21-29,
D8/17-19; 81/60-63.2, 165, 176.1, 119,
121.1-124.7, 177.1, 177.2, 177.4, 177.6, 177.85,
179

[56] References Cited

U.S. PATENT DOCUMENTS

D. 238,140 12/1975 Guimarin D8/22
D. 239,759 5/1976 Glantz D8/22

OTHER PUBLICATIONS

Neff Enterprises Form AB-6400-C, 3/1/1965, "Adjust-A-Box".

Primary Examiner—Carmen H. Vales-Lado
Attorney, Agent, or Firm—Frank H. Foster

[57] CLAIM

The ornamental design for a reversible adjustable wrench, as shown and described.

DESCRIPTION

FIG. 1 is a side elevational view of the reversible adjustable wrench showing my new design, the opposite side being a mirror image.

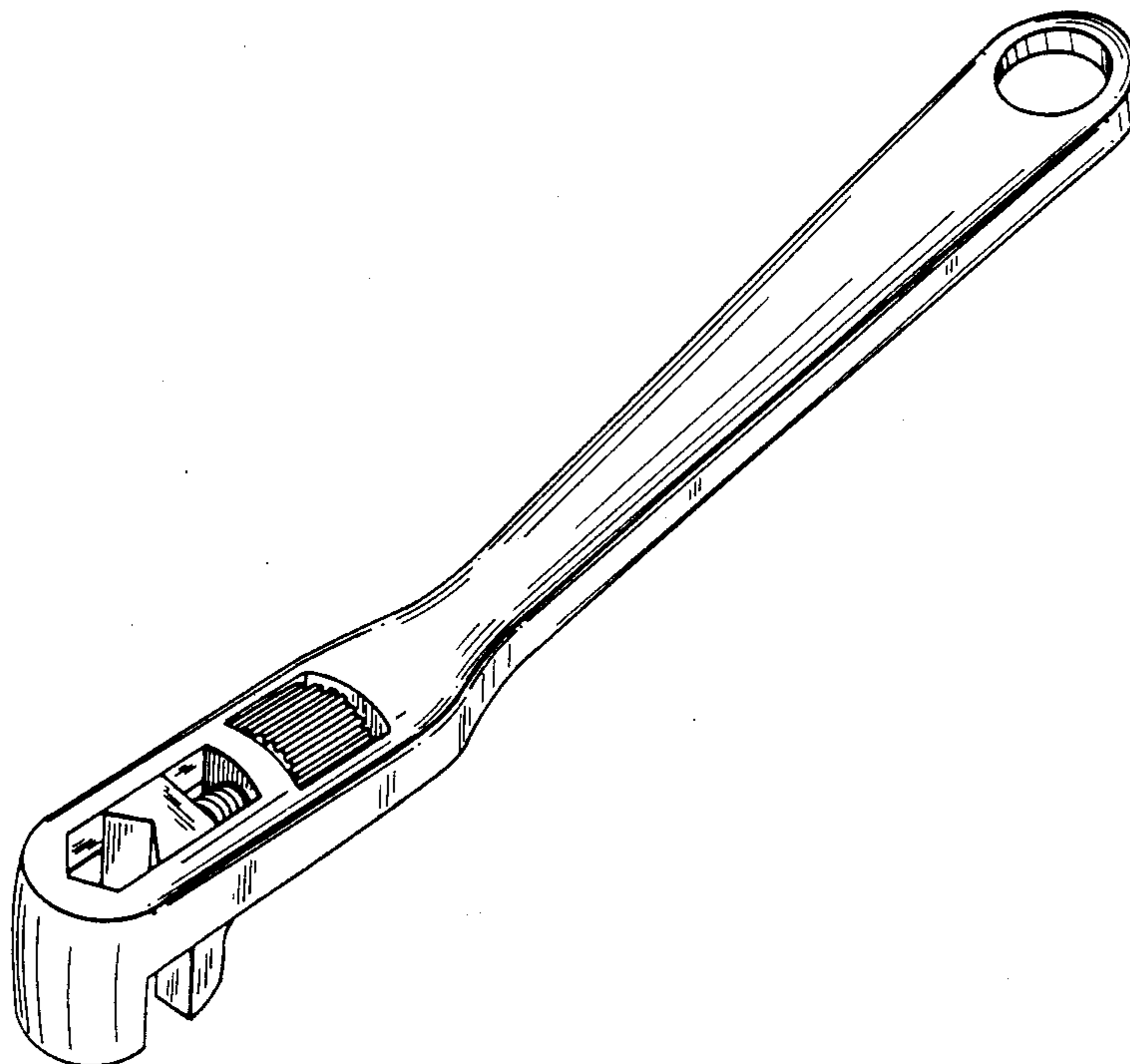
FIG. 2 is a top plan view thereof.

FIG. 3 is a bottom plan view thereof.

FIG. 4 is a rear elevational view thereof.

FIG. 5 is a front elevational view thereof.

FIG. 6 is an enlarged perspective view thereof.



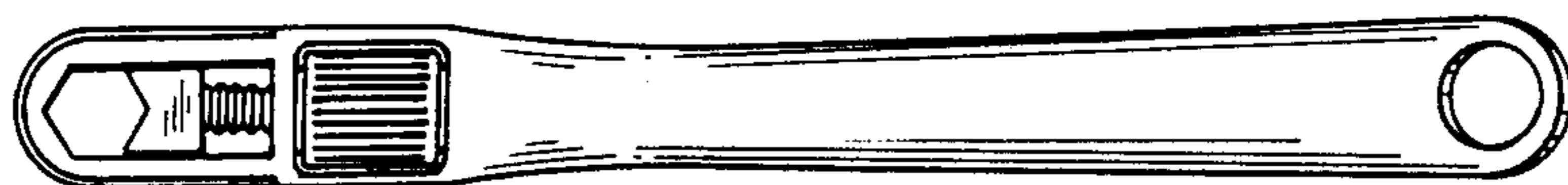


FIG. 2

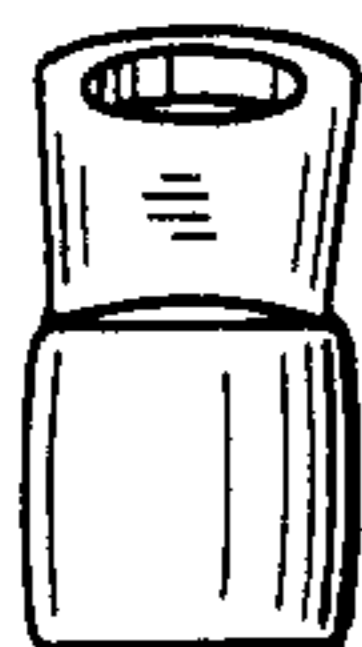


FIG. 5

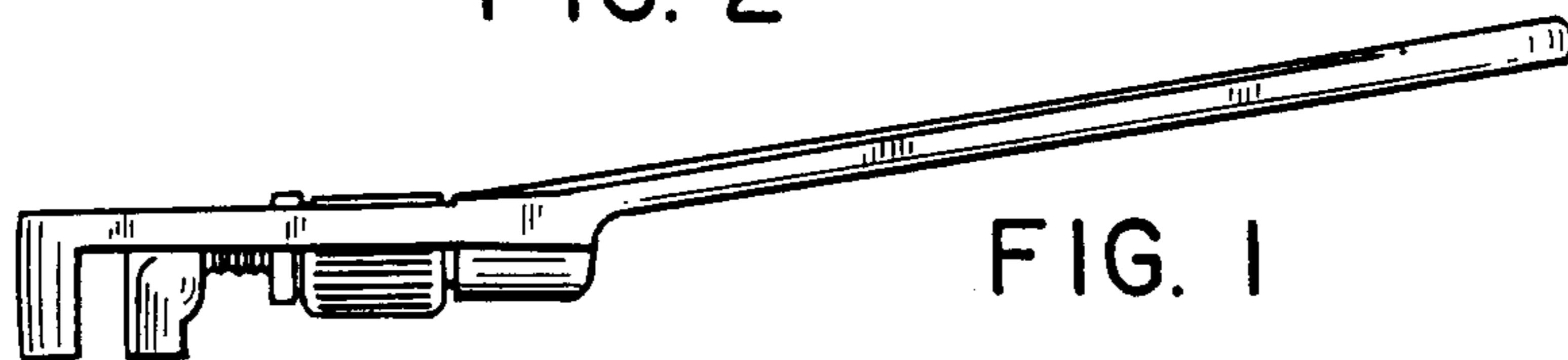


FIG. 1

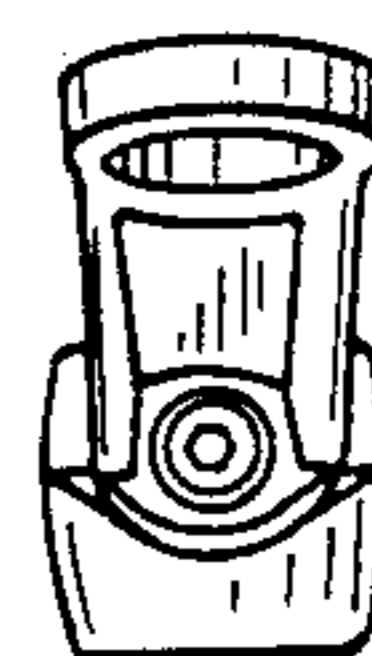


FIG. 4

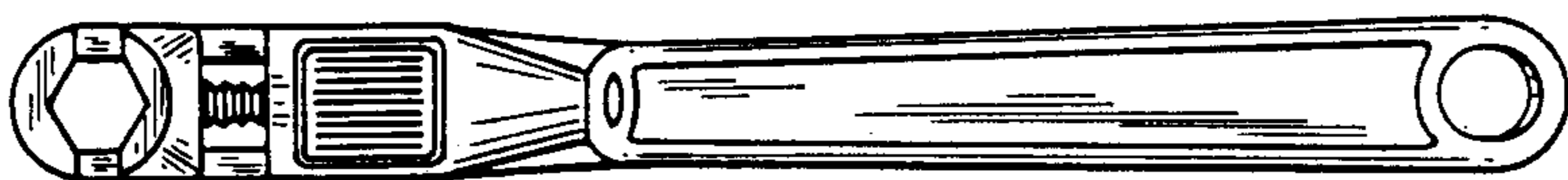


FIG. 3

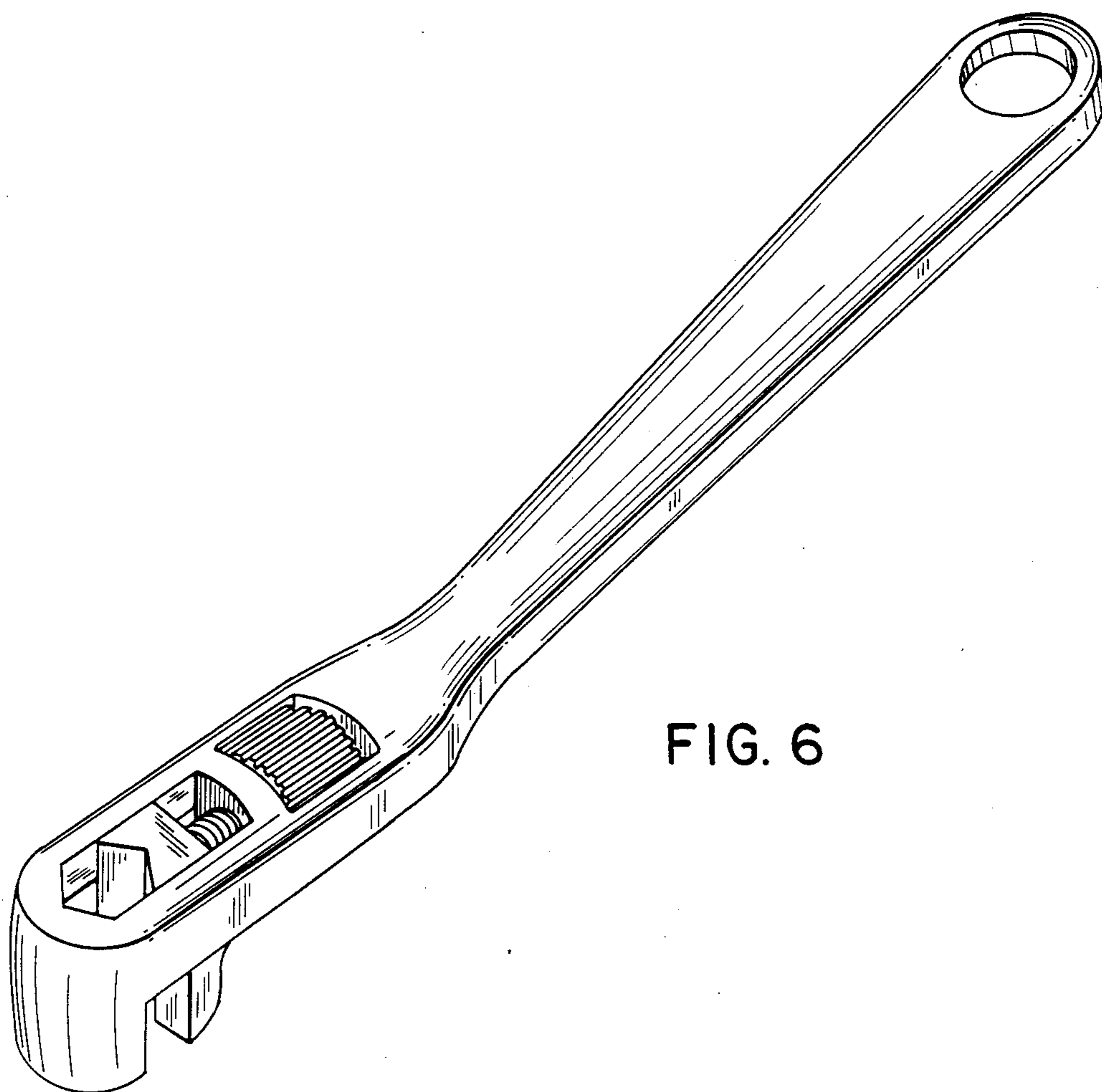


FIG. 6