

[54] MULTI-FLAVOR DISPENSING VALVE COVER

[75] Inventors: Arthur G. Rudick, Marietta; John E. Varrieur, Atlanta, both of Ga.

[73] Assignee: The Coca-Cola Company, Atlanta, Ga.

[**] Term: 14 Years

[21] Appl. No.: 165,669

[22] Filed: Mar. 4, 1988

[52] U.S. Cl. D7/398; D7/308

[58] Field of Search D7/300, 305, 311, 312, D7/306-308, 397, 398, 391, 392, 387

[56] References Cited

U.S. PATENT DOCUMENTS

- D. 259,725 6/1981 Wasserstrom et al. D7/308
- D. 271,270 11/1983 Austin et al. D7/398
- D. 271,271 11/1983 Austin et al. D7/398
- D. 282,342 1/1986 Saunders et al. D7/398
- D. 295,821 5/1988 Stembridge et al. D7/398
- D. 301,672 6/1989 Schechter et al. D7/398

OTHER PUBLICATIONS

- Dole Selmix—Family of Values—FFV, dated 11/82.
- Dole Selmix—Family of Values—GEV.
- Dole Selmix—Family of Values—SEV.

Primary Examiner—Winifred E. Herrmann
Attorney, Agent, or Firm—W. Dexter Brooks; Eduardo M. Carreras

[57] CLAIM

The ornamental design for a multi-flavor dispensing valve cover, as shown and described.

DESCRIPTION

FIG. 1 is a top, front, and left side perspective view of a multi-flavor dispensing valve cover showing our new design;

FIG. 2 is a front elevational view of FIG. 1;

FIG. 3 is a right side elevational view of FIG. 1;

FIG. 4 is a rear elevational view of FIG. 1;

FIG. 5 is a left side elevational view of FIG. 1;

FIG. 6 is a top plan view of FIG. 1;

FIG. 7 is a bottom plan view of FIG. 1;

FIG. 8 is a top, front, and left side perspective view of a modified form of our new design for a multi-flavor dispensing valve cover;

FIG. 9 is a front elevational view of FIG. 8;

FIG. 10 is a right side elevational view of FIG. 8;

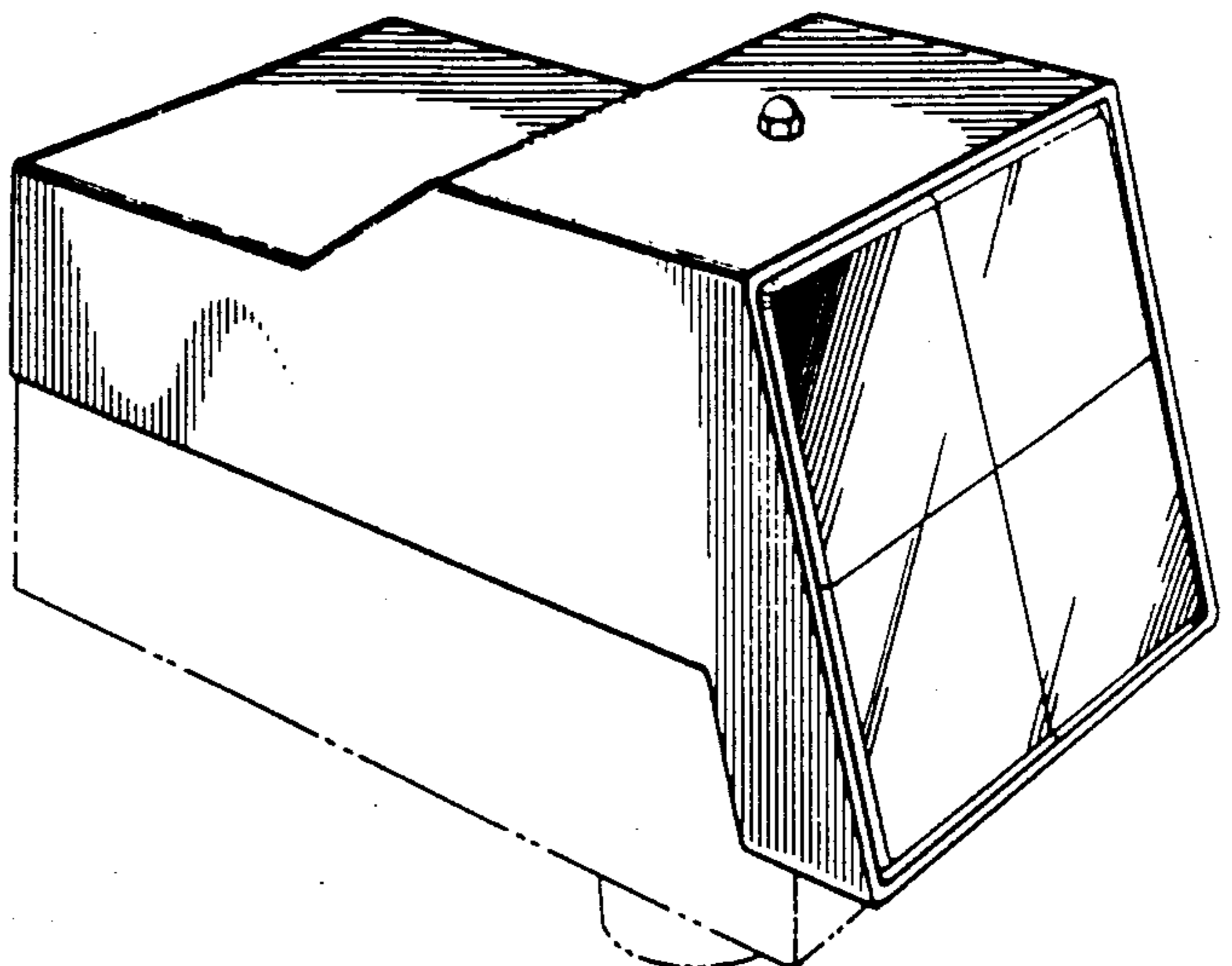
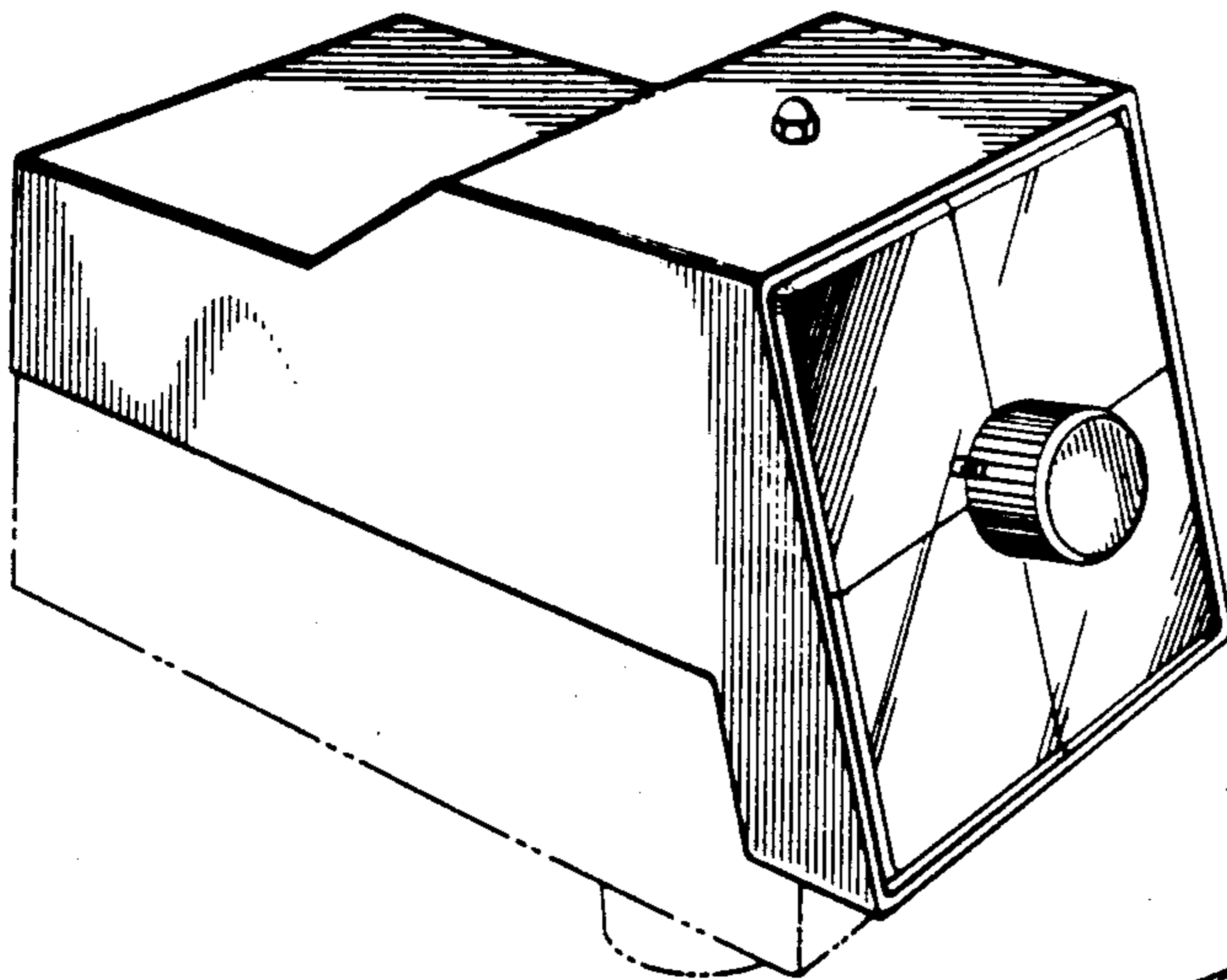
FIG. 11 is a rear elevational view of FIG. 8;

FIG. 12 is a left side elevational view of FIG. 8;

FIG. 13 is a top plan view of FIG. 8; and

FIG. 14 is a bottom plan view of FIG. 8.

The broken line showing of the dispensing valve in FIGS. 1-5 and 8-12 is illustrative of environmental structure only and forms no part of the claimed design.



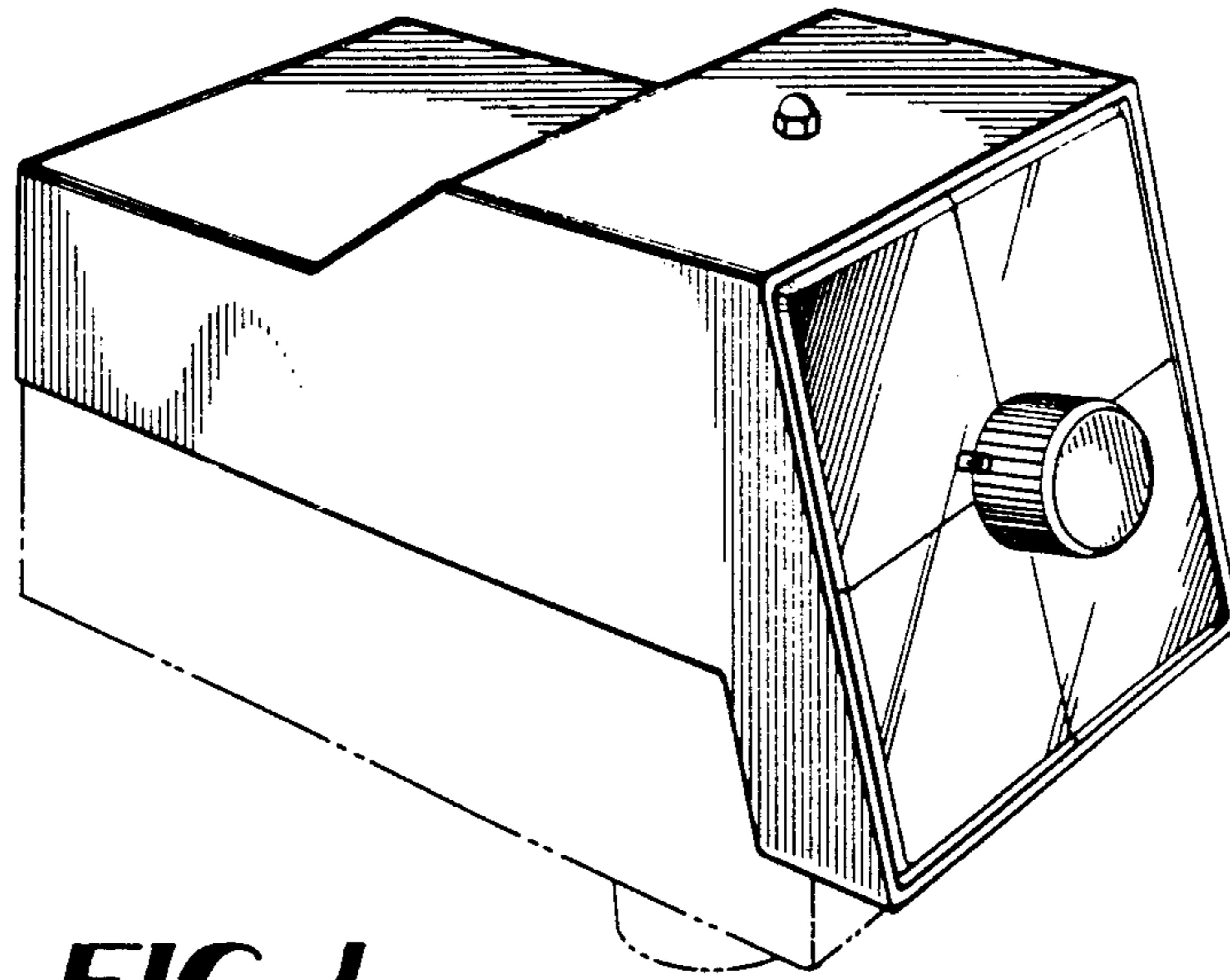


FIG 1

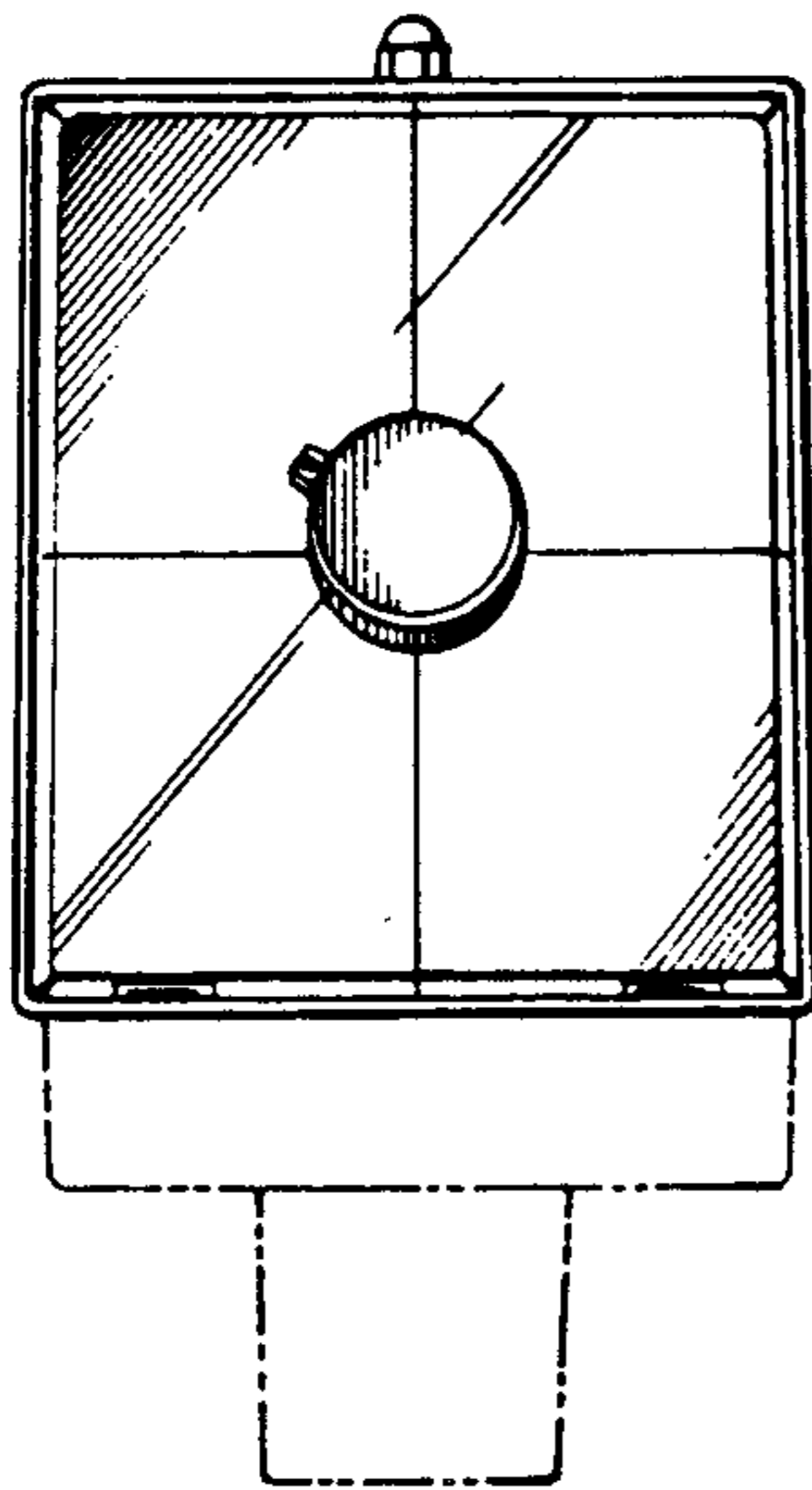


FIG 2

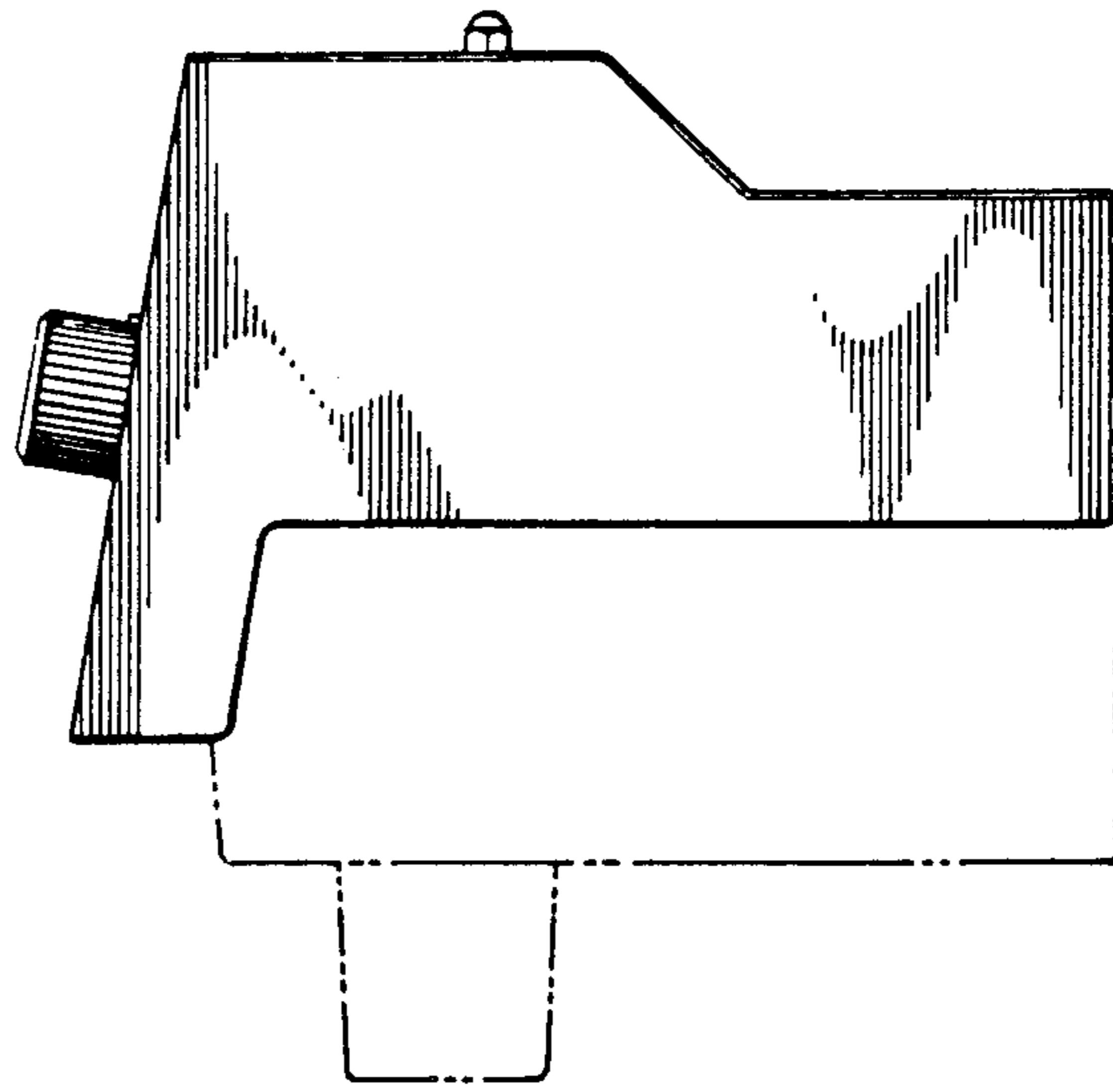


FIG 3

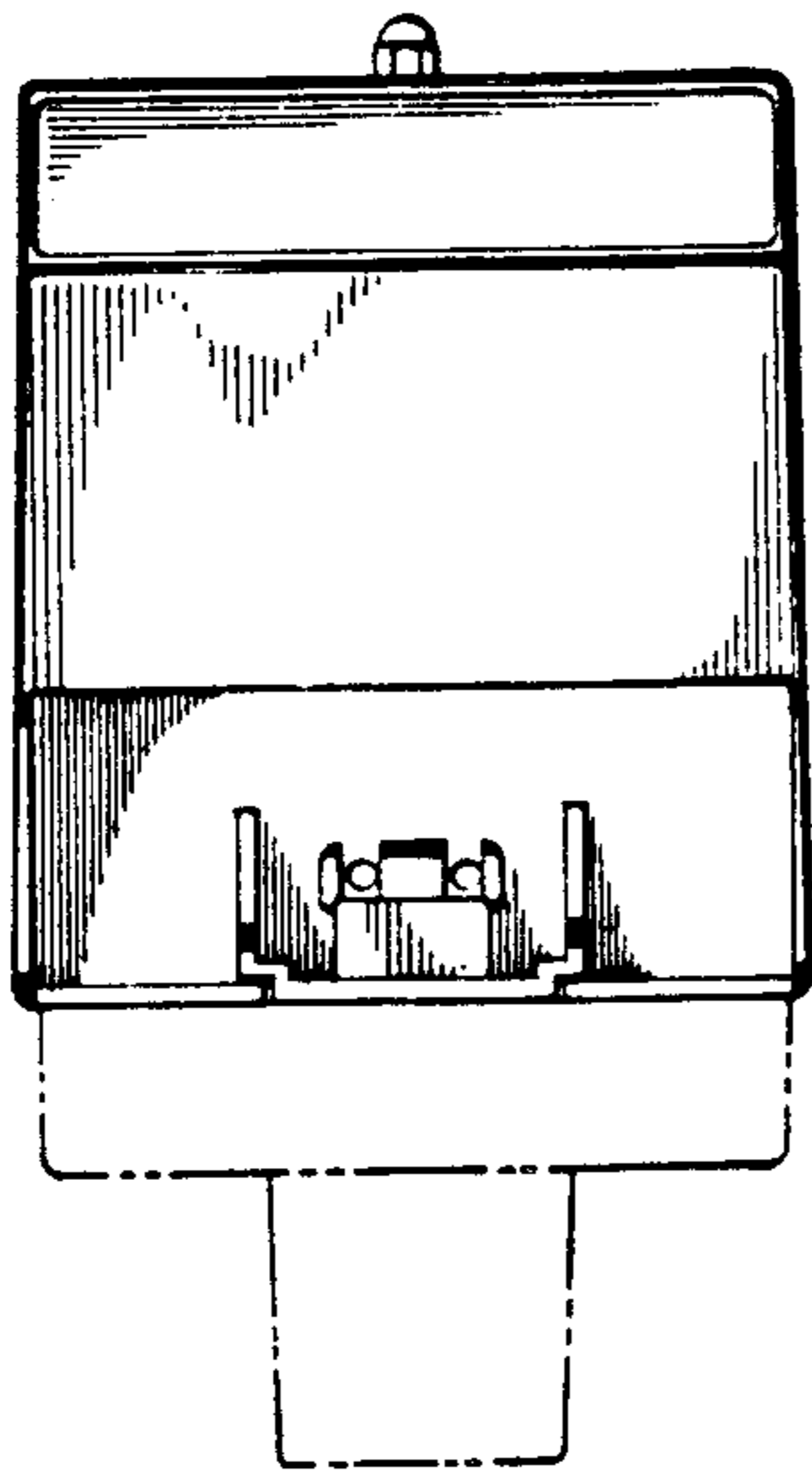


FIG 4

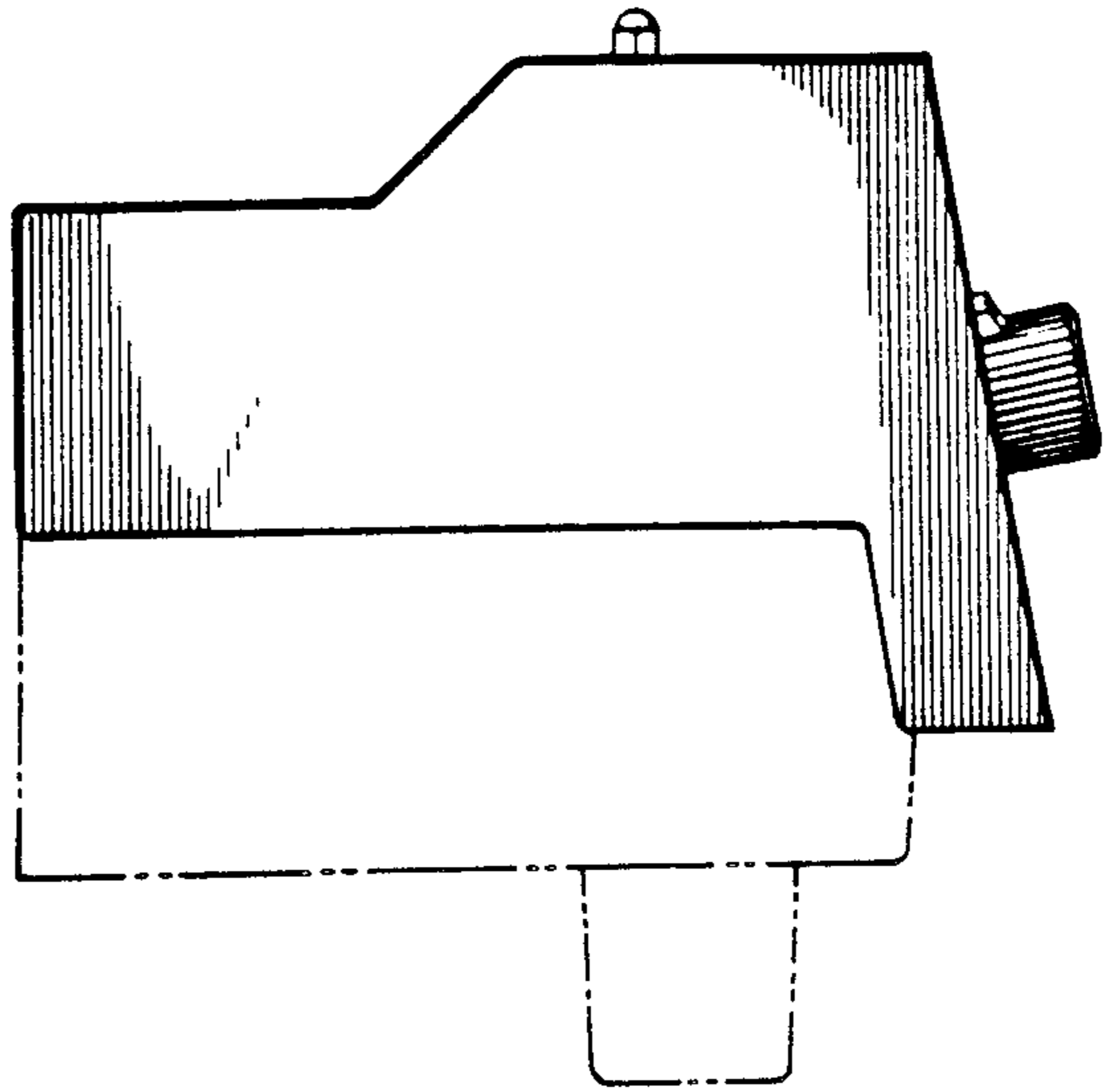


FIG 5

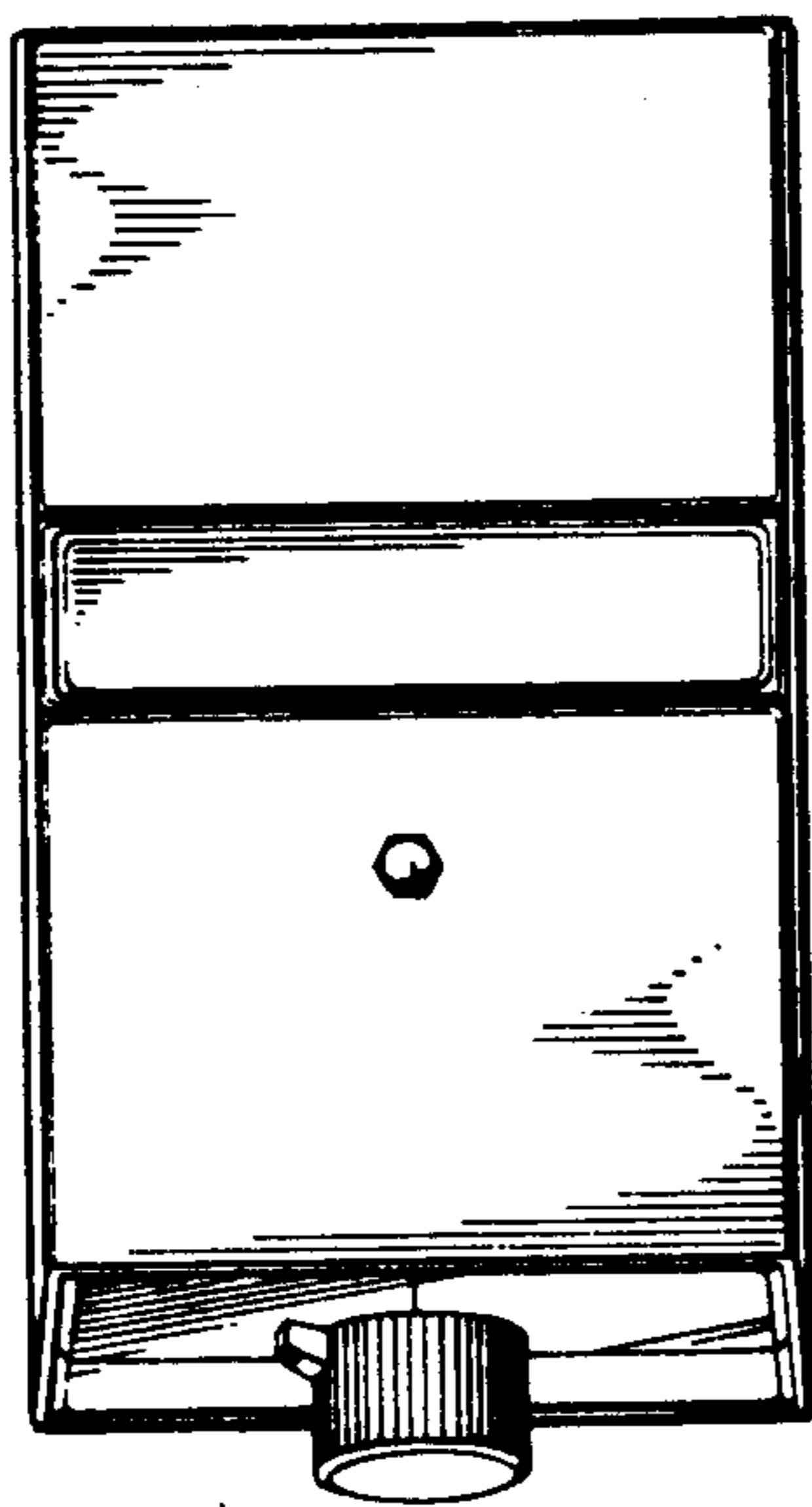


FIG 6

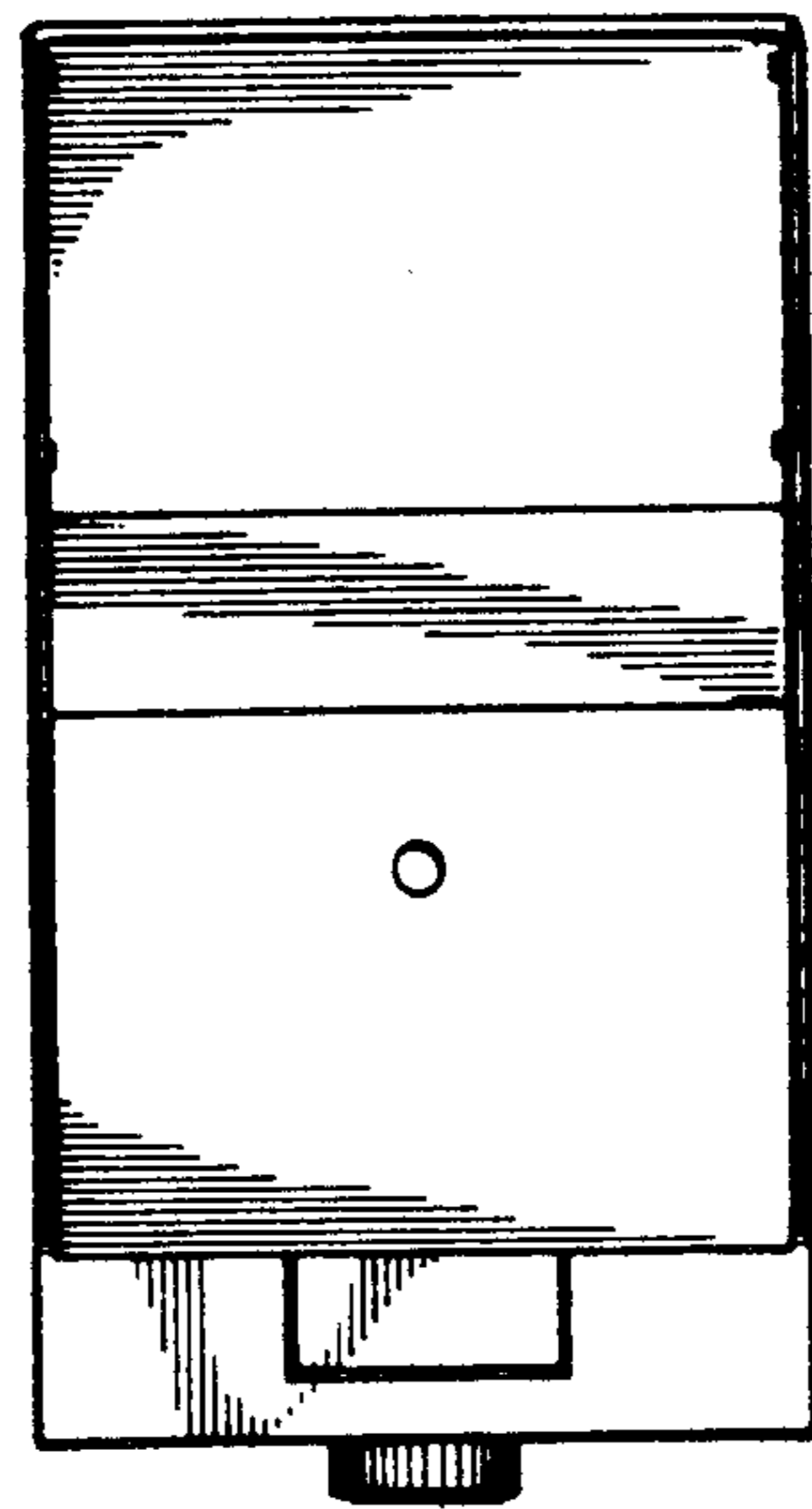


FIG 7

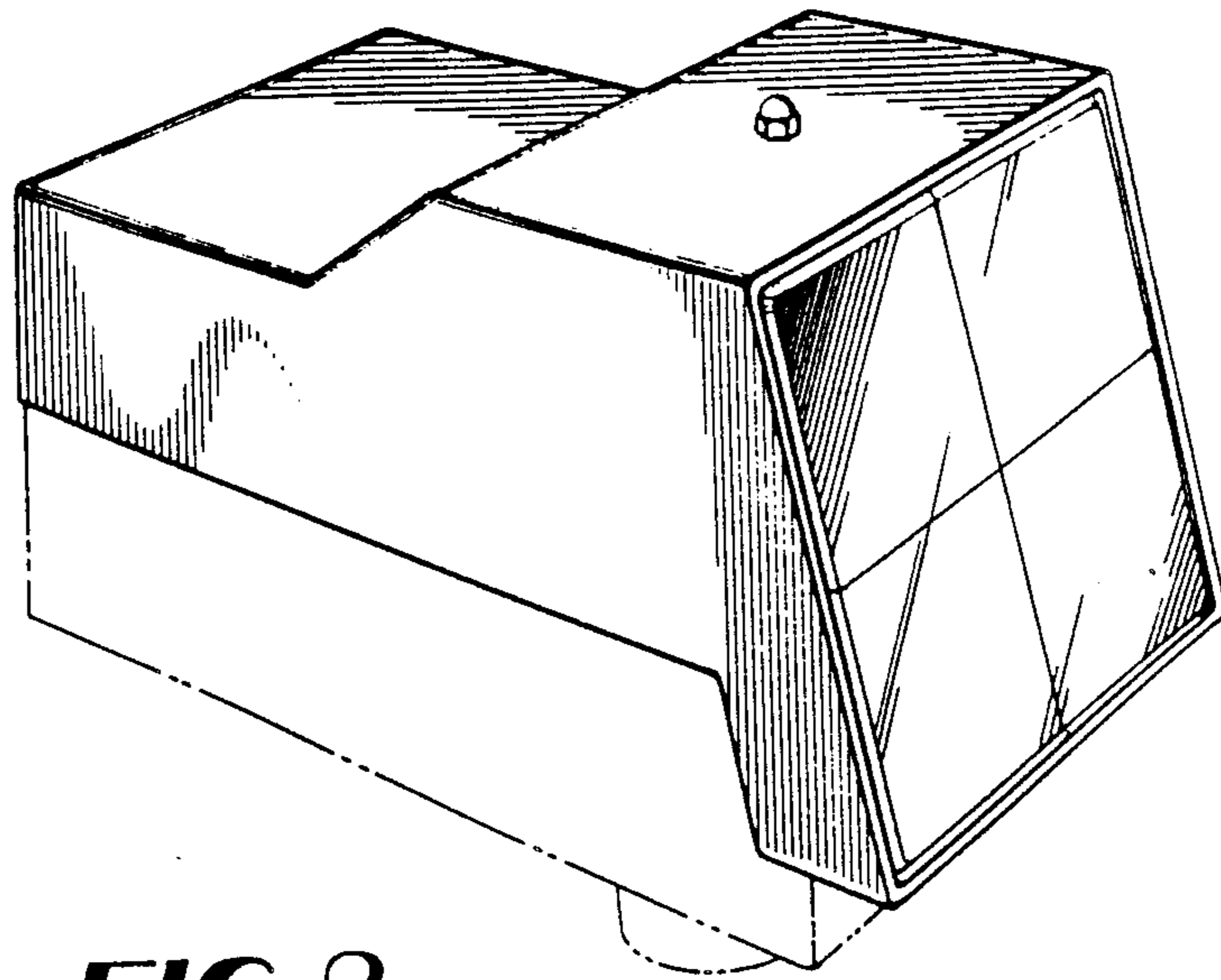


FIG 8

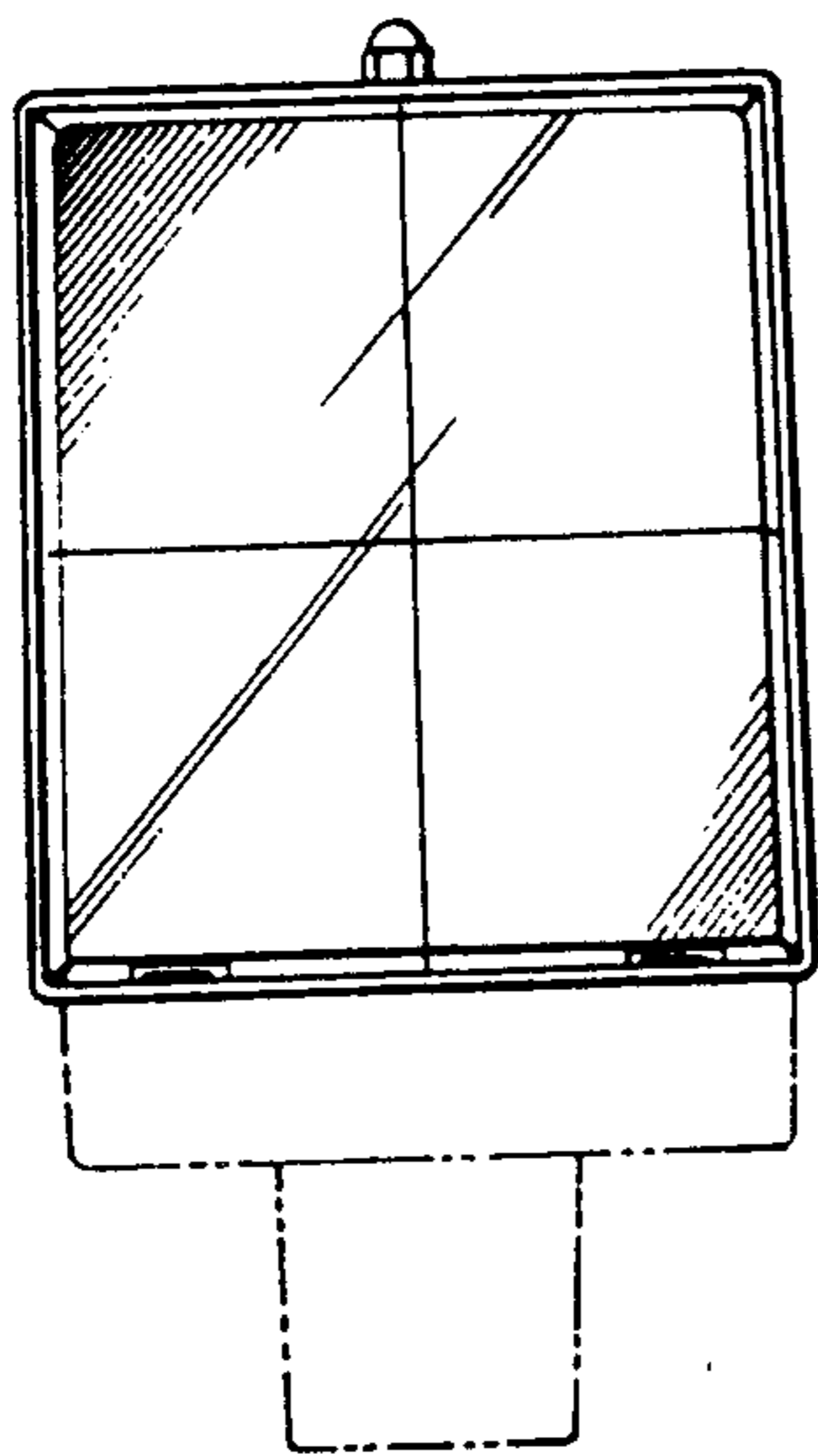


FIG 9

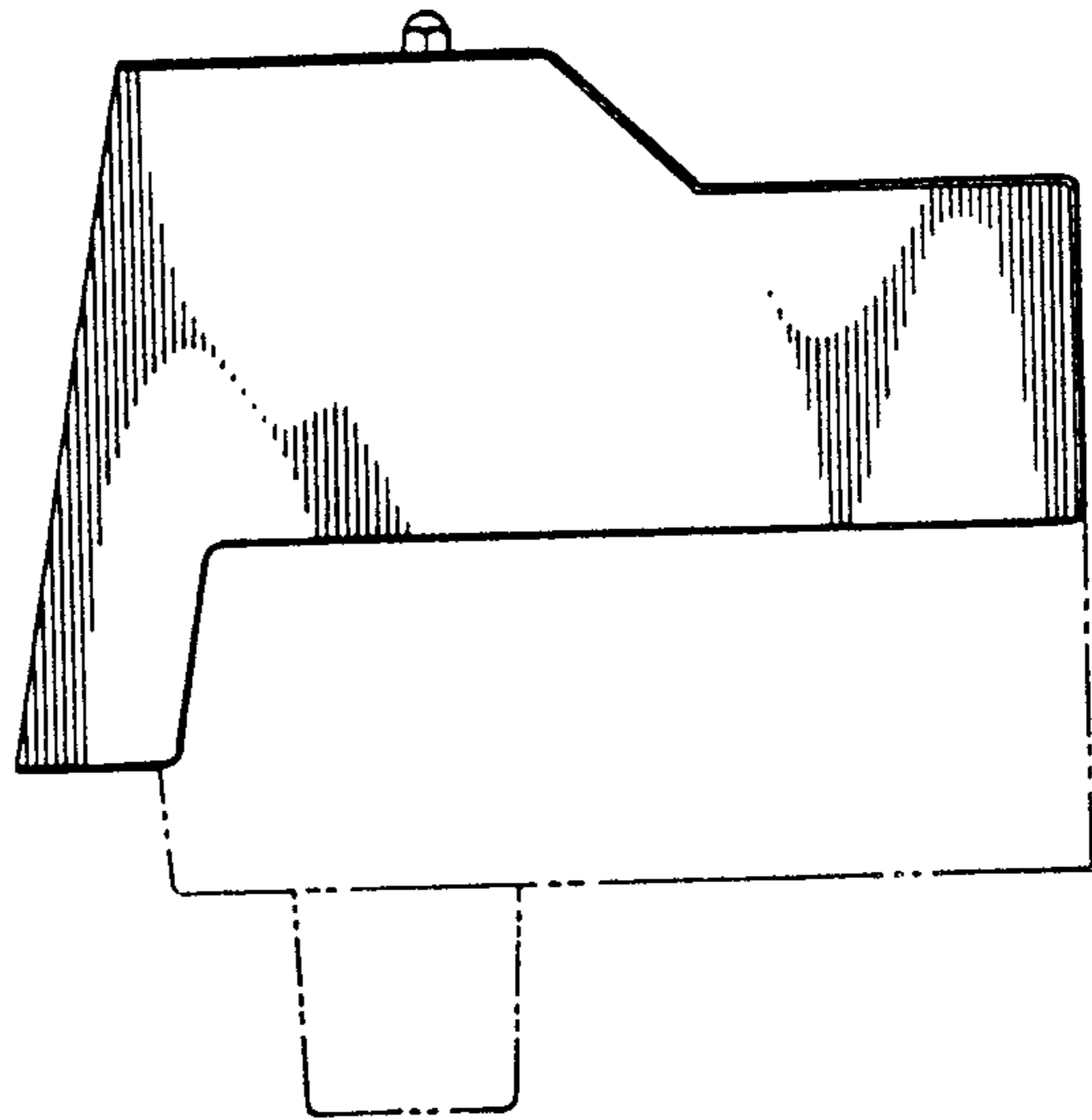


FIG 10

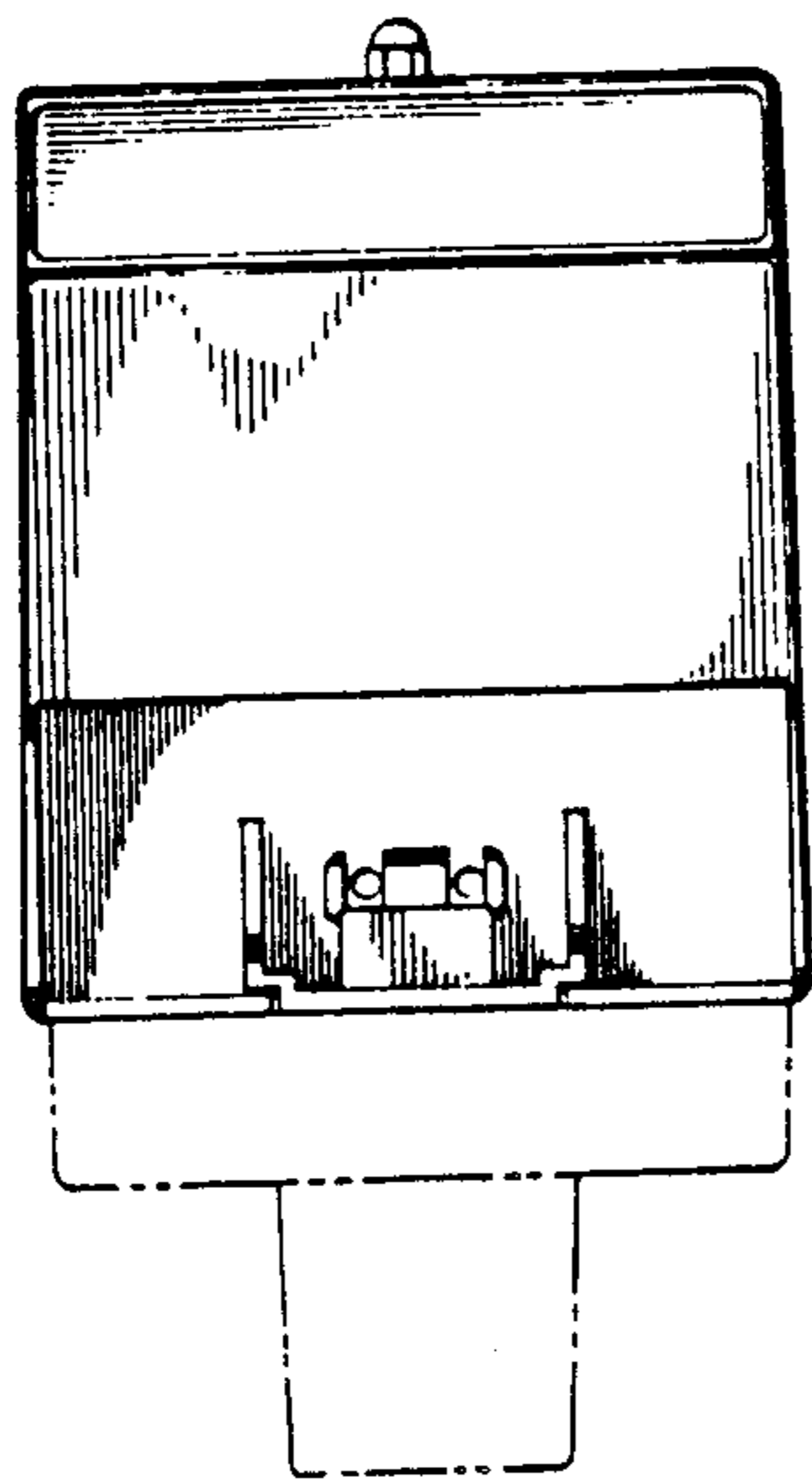


FIG 11

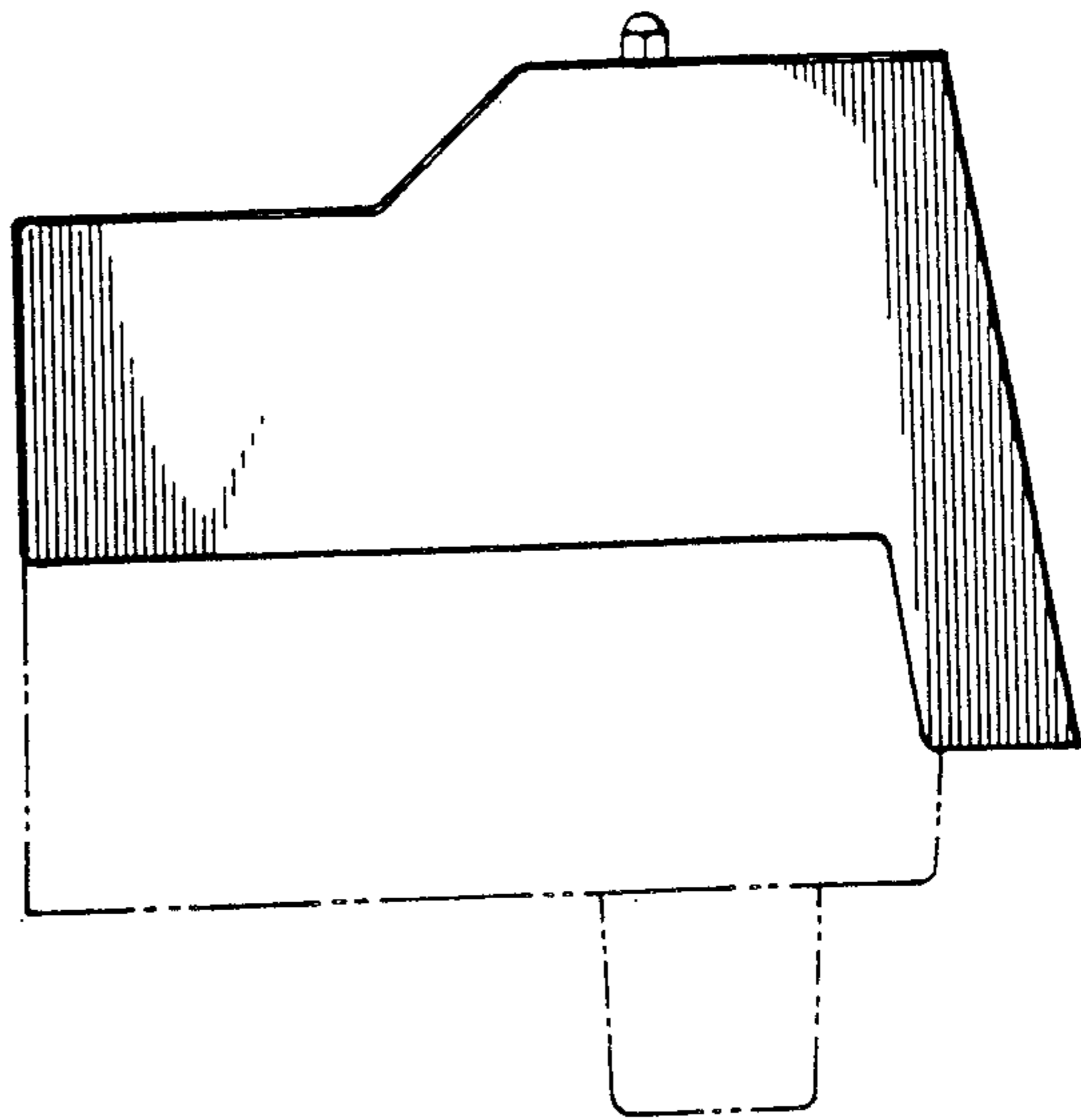


FIG 12

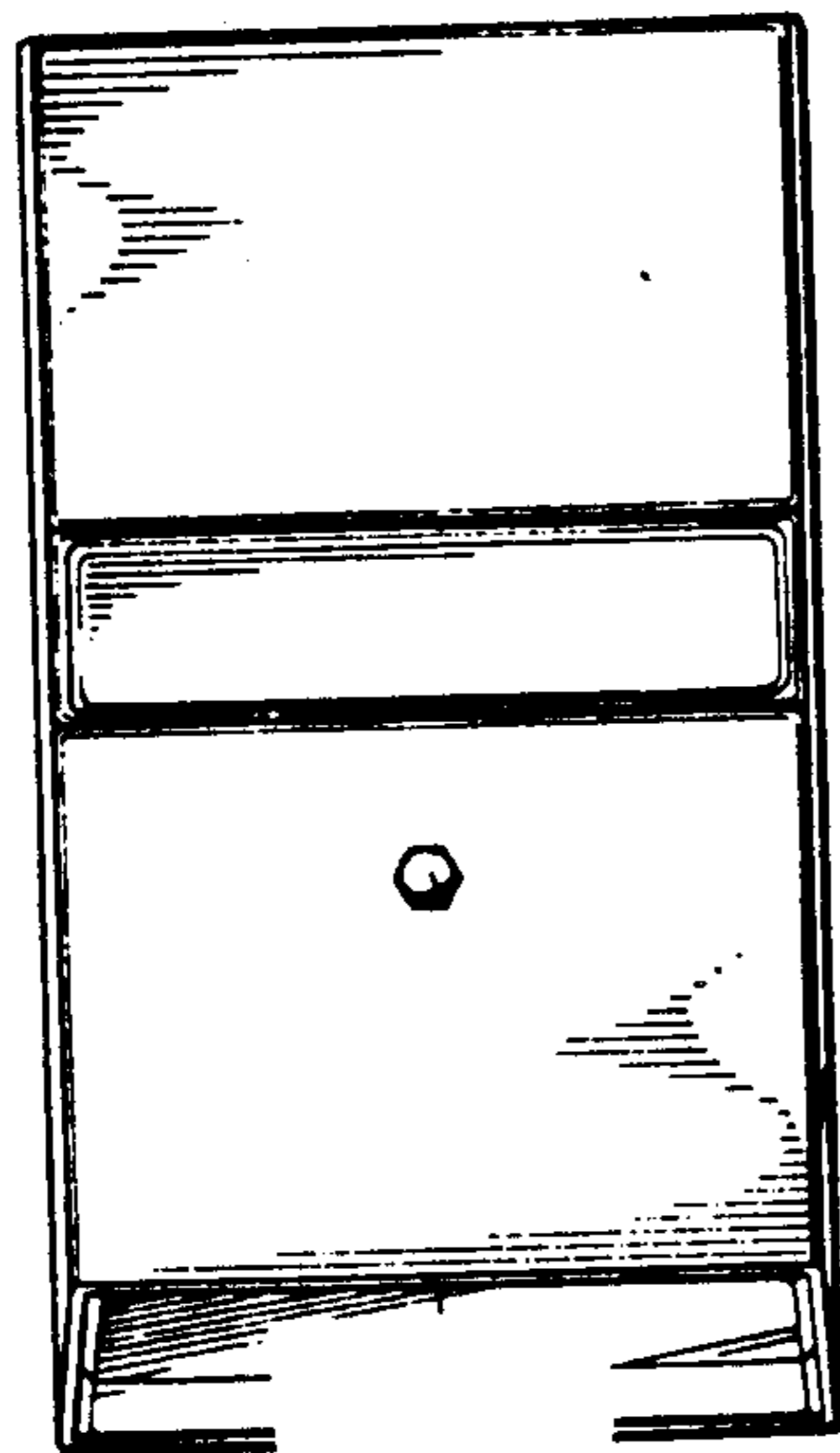


FIG 13

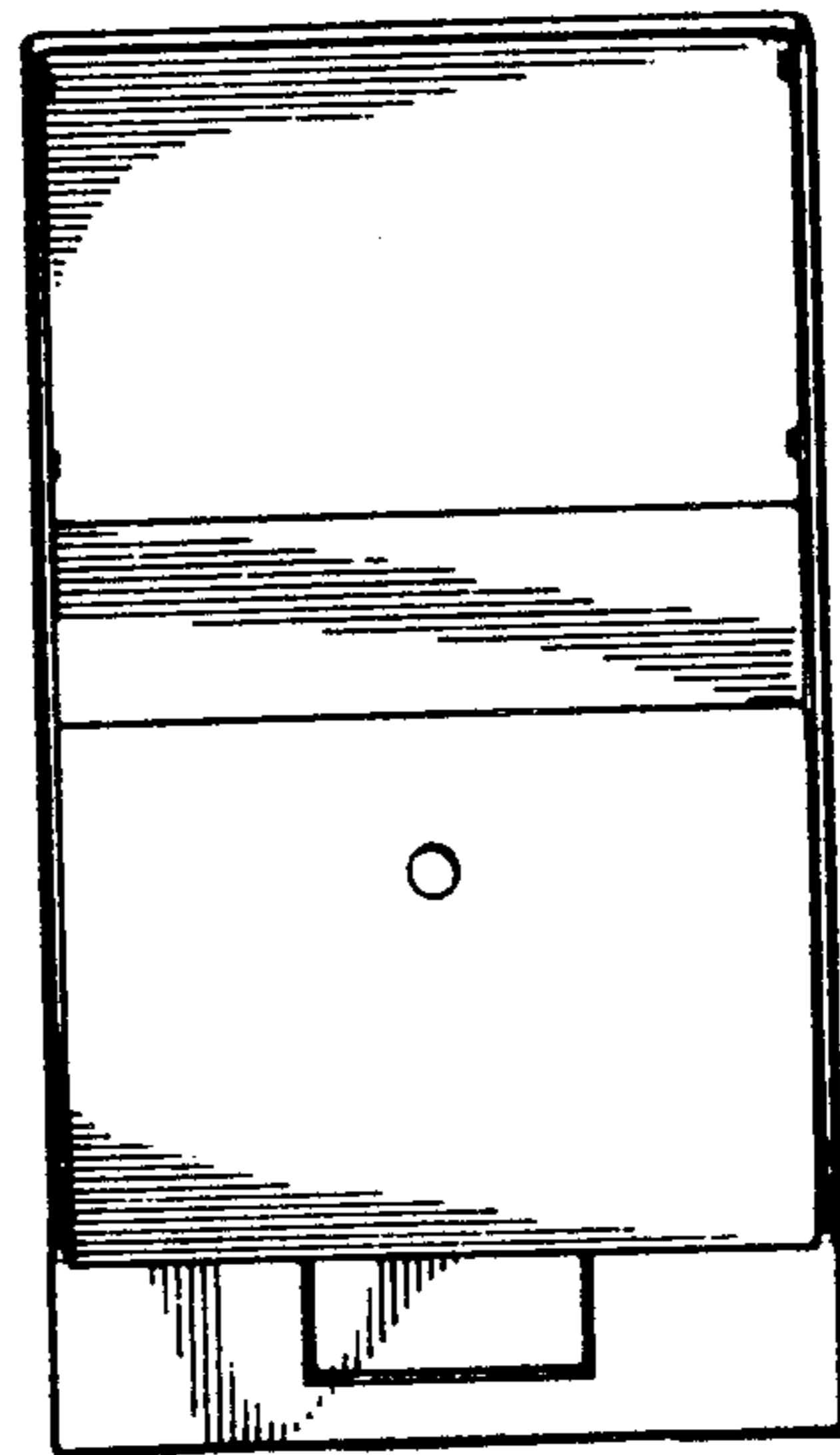


FIG 14