

- [54] **ELECTRIC COFFEE MAKER**
- [75] Inventor: **Domingo F. A. Bolivar**, Durango Vizcaya, Spain
- [73] Assignee: **Oficina de Investigacion Agrupada, S.A.**, Guipuzcao, Spain
- [\*\*] Term: **14 Years**
- [21] Appl. No.: **499,059**
- [22] Filed: **Mar. 26, 1990**

4,644,856 2/1987 Borgmann ..... D7/309 X  
 4,721,034 1/1988 Shimomura ..... D7/309 X

**OTHER PUBLICATIONS**

*HFD—Retailing Home Furnishings*, May 4, 1981, Section One, p. 28, middle left panel, Robot-Coupe Cappuccino-Espresso Maker.

*Primary Examiner*—Winifred E. Herrmann  
*Attorney, Agent, or Firm*—Helfgott & Karas

[57] **CLAIM**

The ornamental design for an electric coffee maker, as shown and described.

**DESCRIPTION**

FIG. 1 is a front perspective view of an electric coffee maker showing my new design;  
 FIG. 2 is a top plan view thereof;  
 FIG. 3 is a right side elevational view thereof;  
 FIG. 4 is a front elevational view thereof;  
 FIG. 5 is a left side elevational view thereof;  
 FIG. 6 is a rear elevational view thereof;  
 FIG. 7 is a rear perspective view thereof; and  
 FIG. 8 is a perspective view of the electric coffee maker as seen from the bottom thereof.

**Related U.S. Application Data**

[62] Division of Ser. No. 145,186, Jan. 19, 1988.

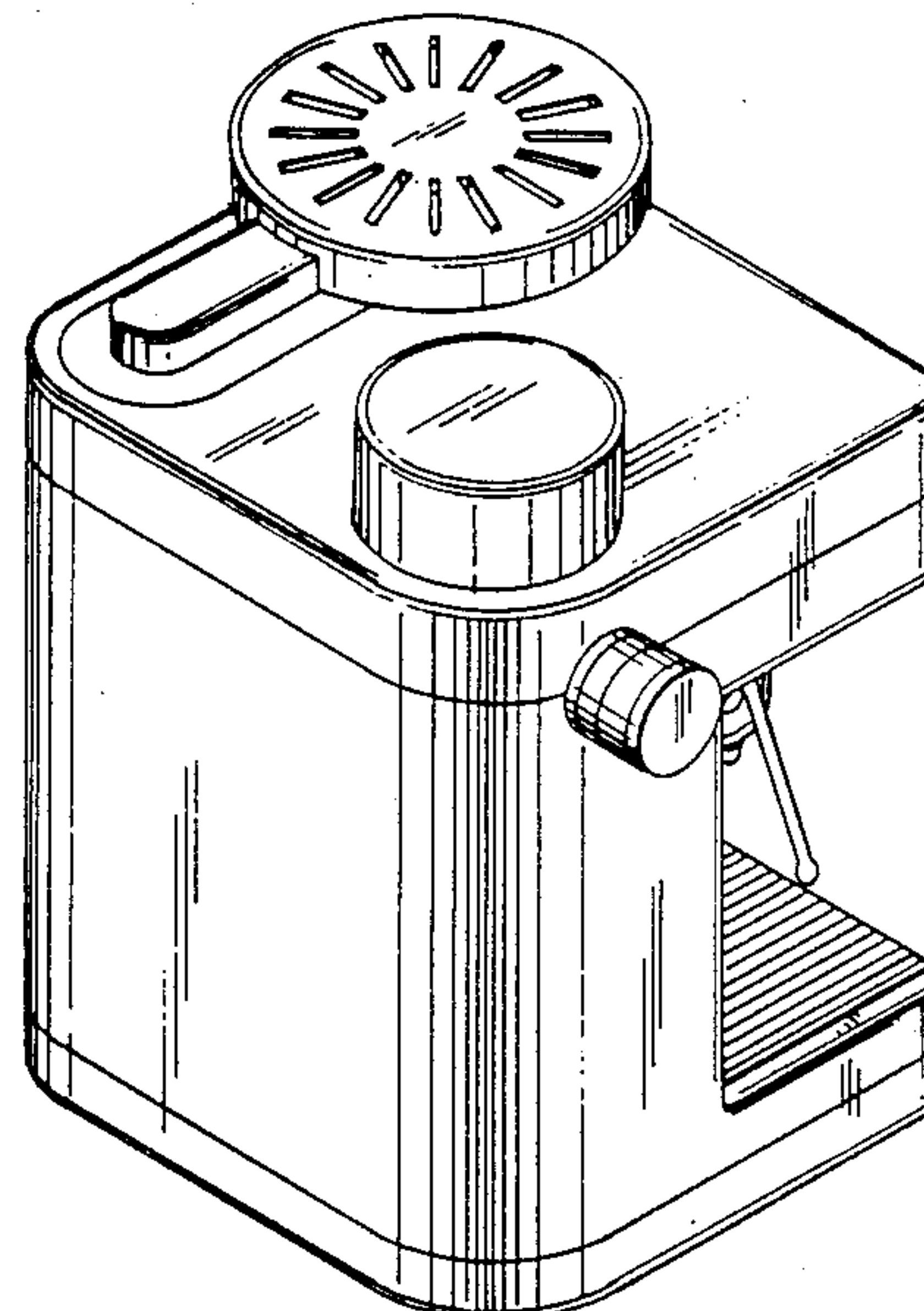
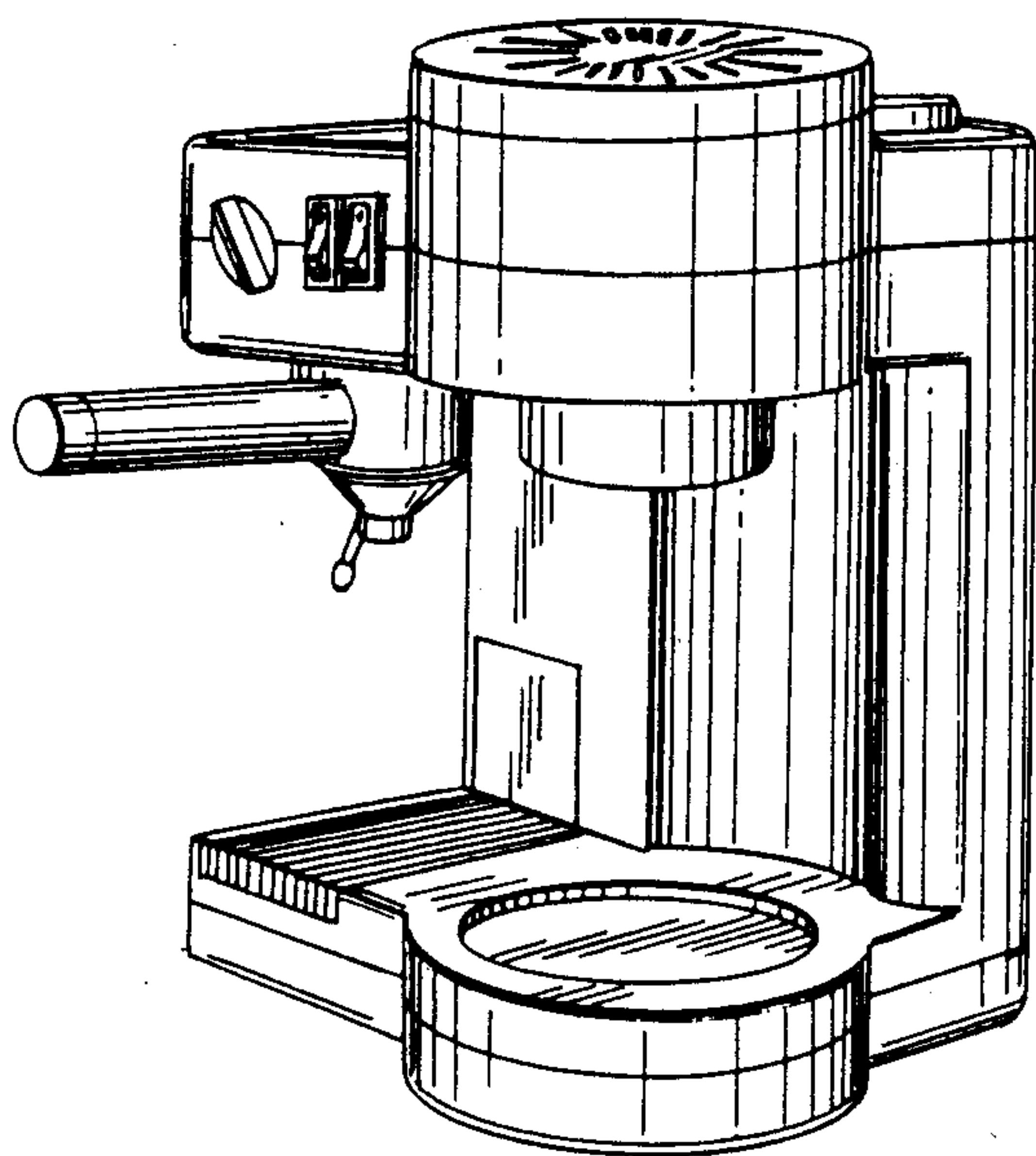
[30] **Foreign Application Priority Data**

Aug. 17, 1987 [ES] Spain ..... 113763  
 [52] U.S. Cl. .... **D7/309**  
 [58] Field of Search ..... D7/309, 310, 300, 312, D7/311, 305; 99/293

[56] **References Cited**

**U.S. PATENT DOCUMENTS**

D. 269,183 5/1983 Van Asten ..... D7/309



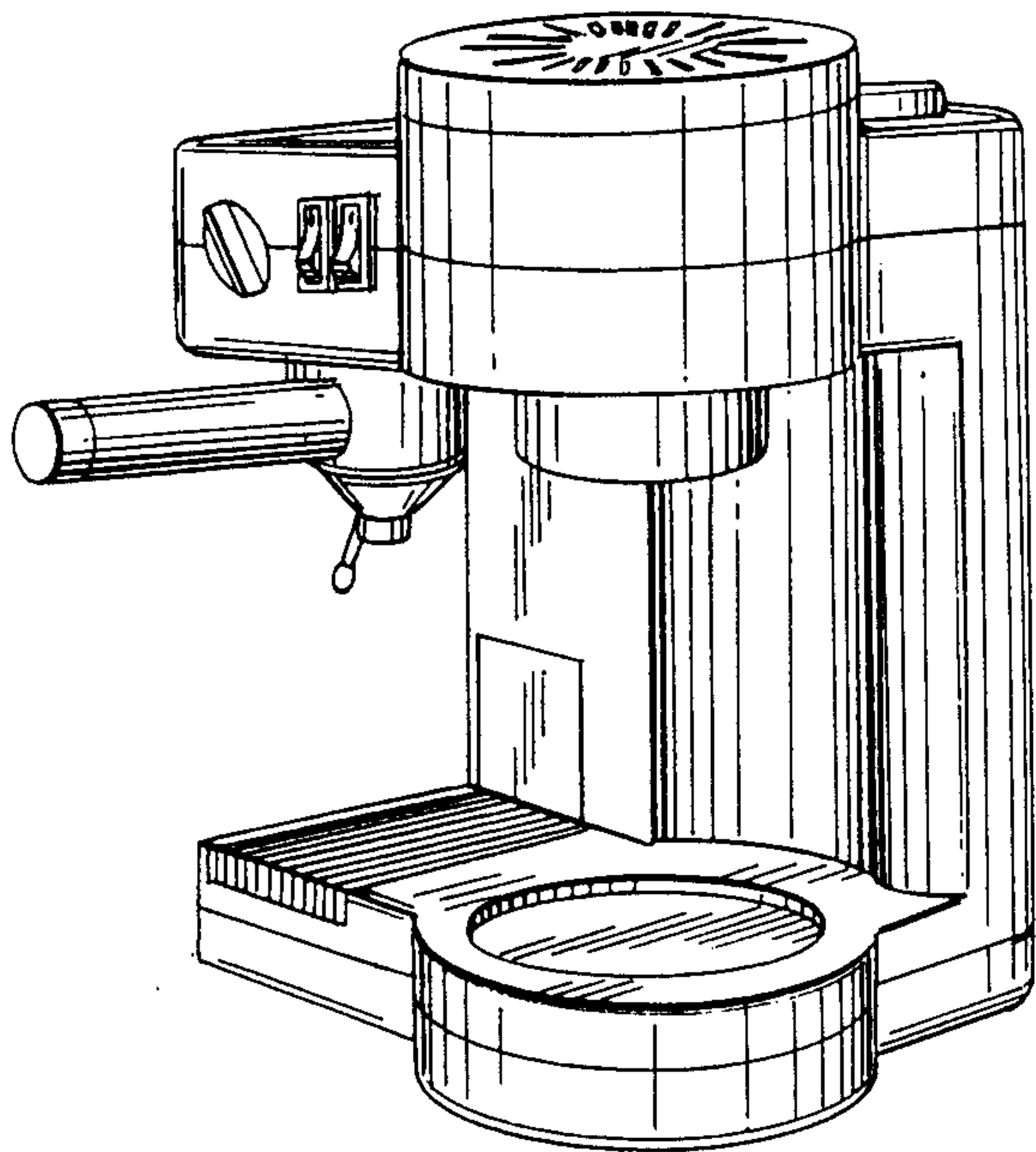


FIG. 1

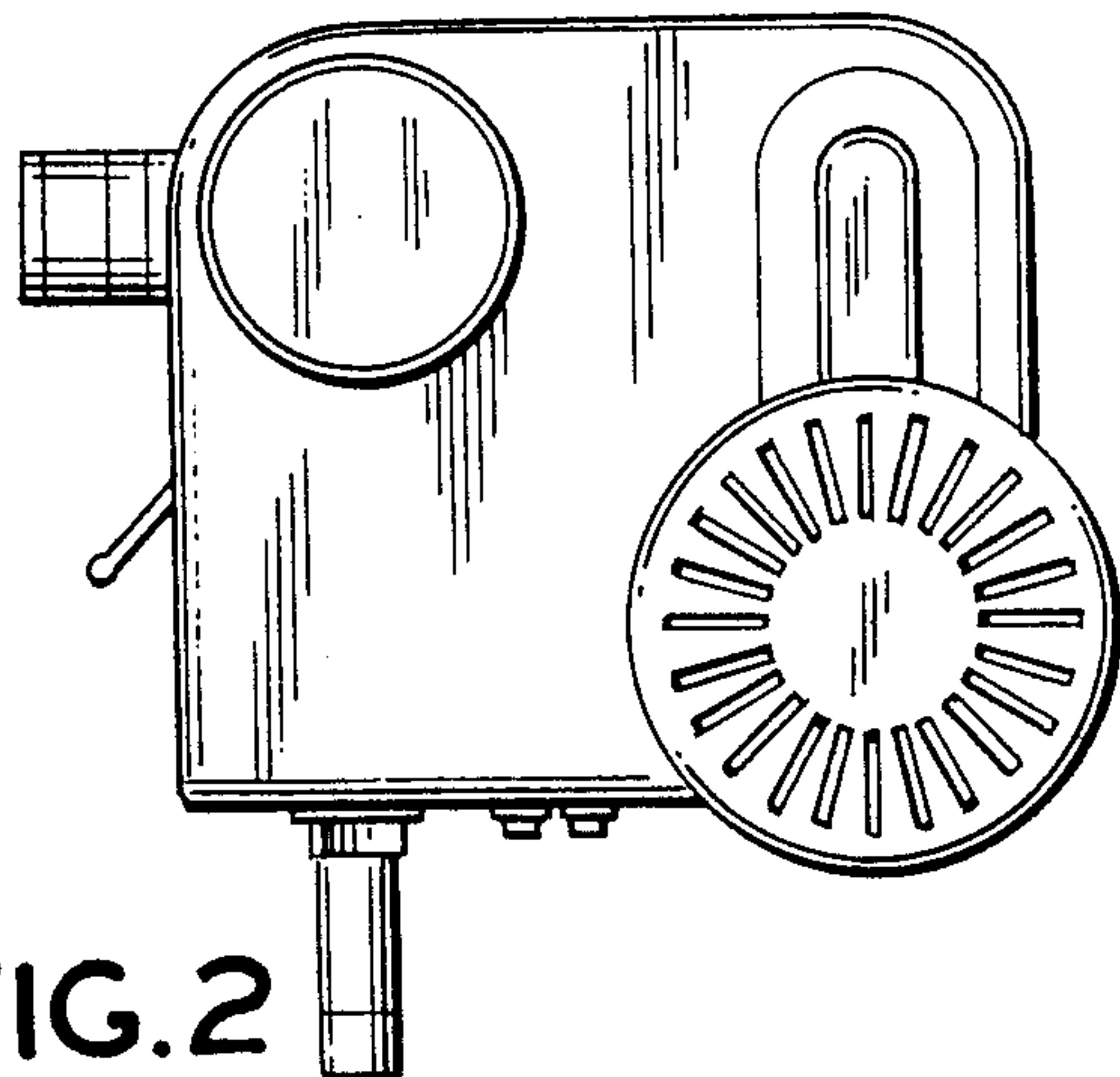


FIG. 2

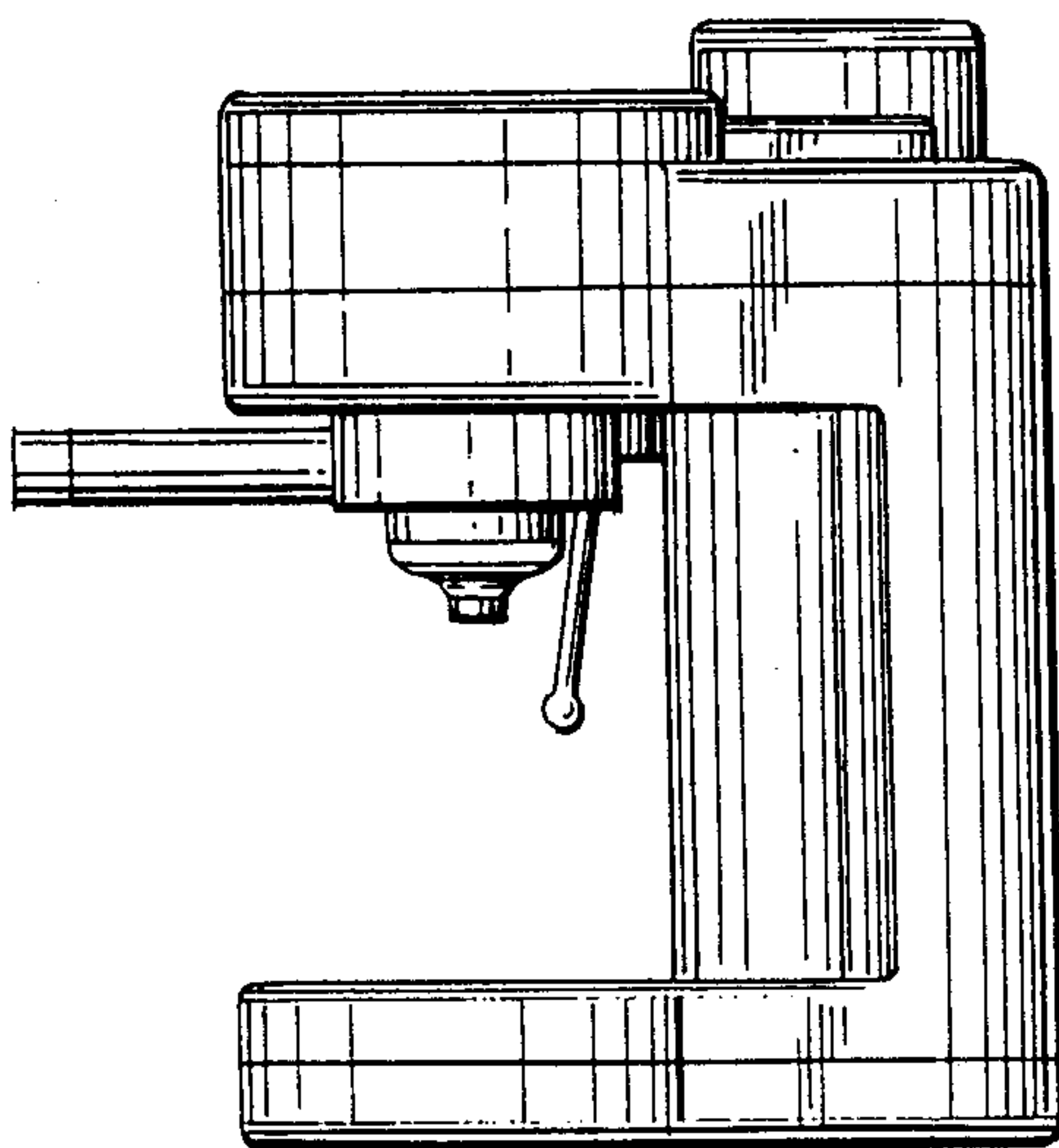


FIG. 3

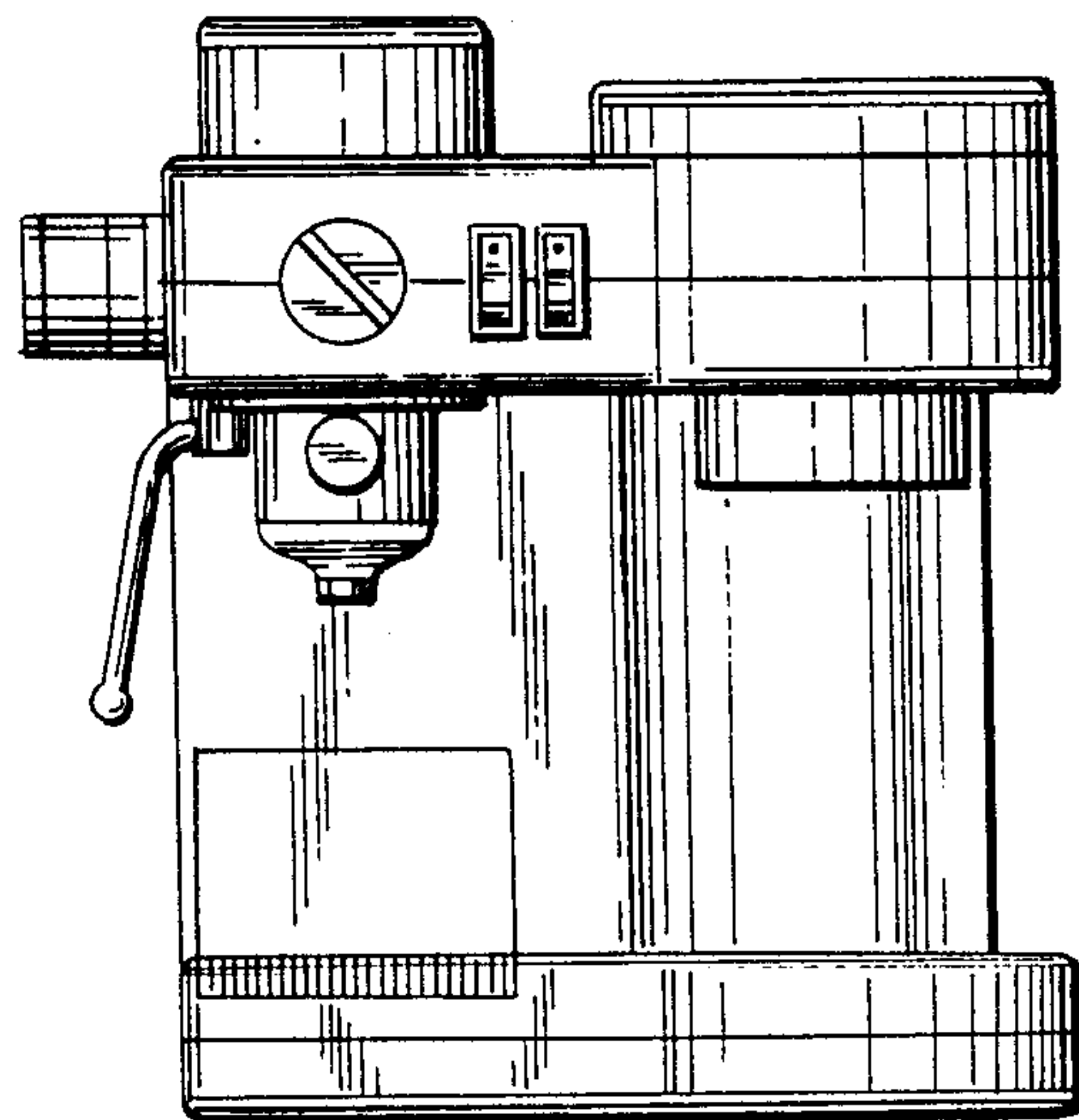


FIG. 4

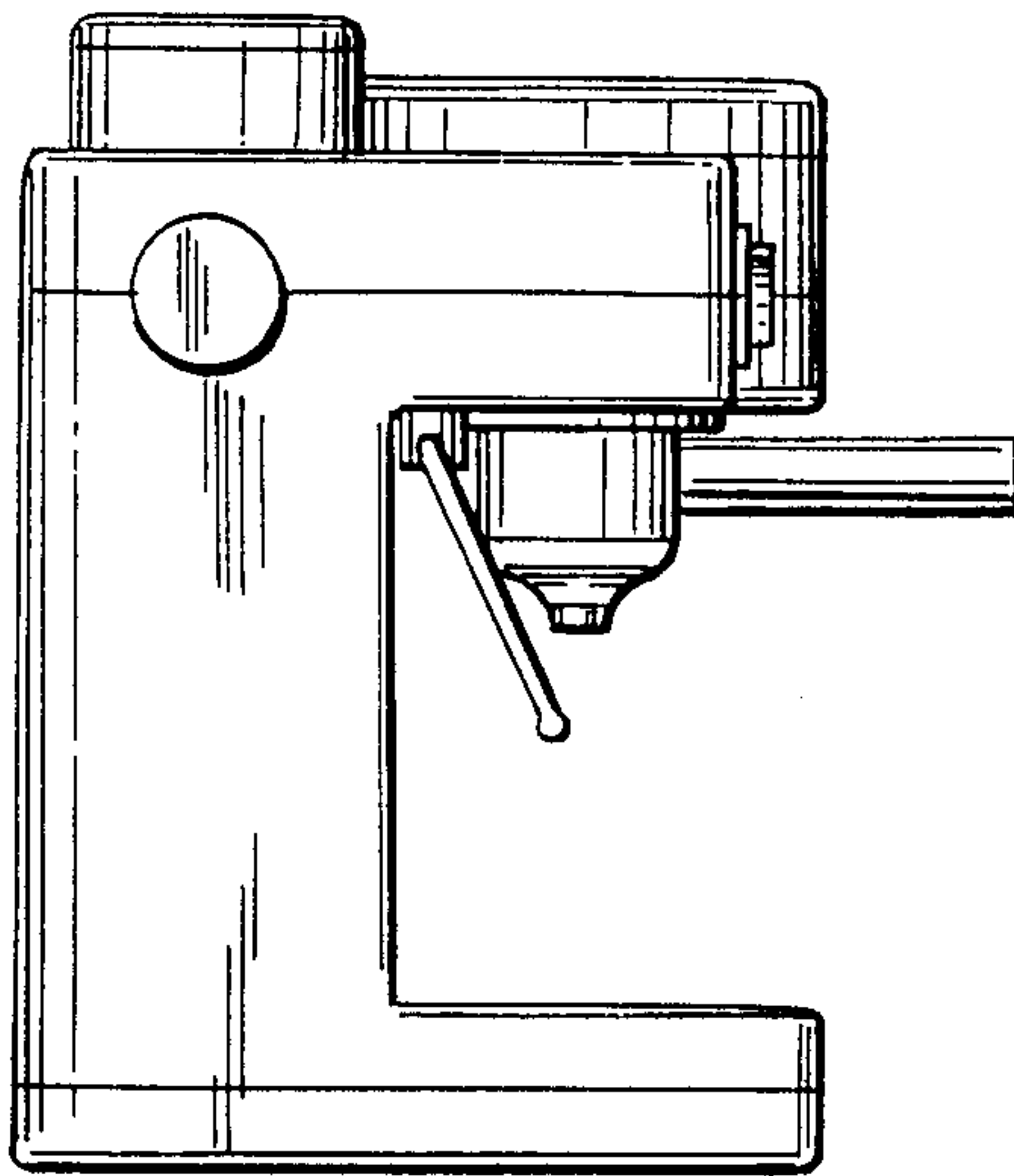


FIG. 5

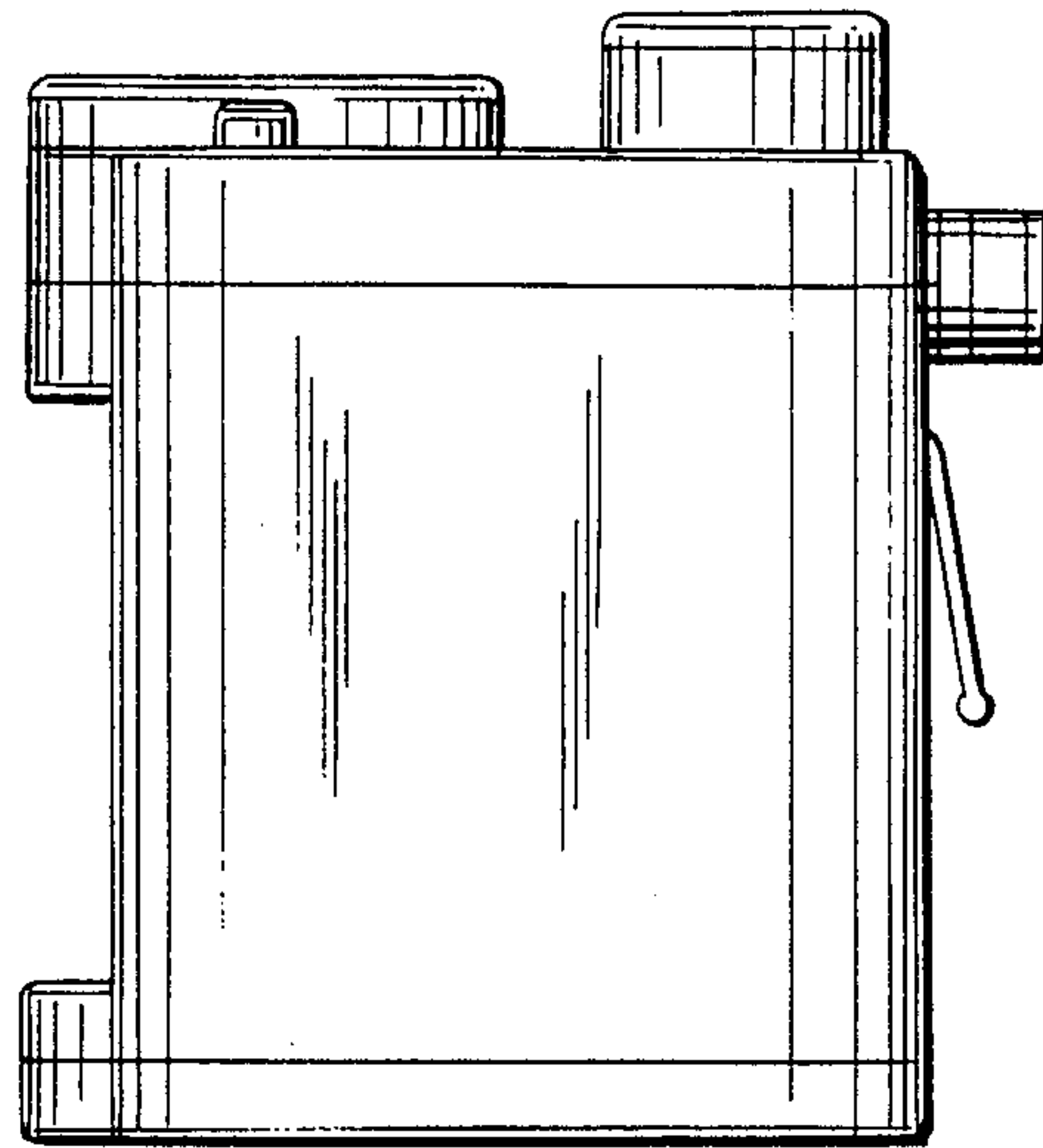


FIG. 6

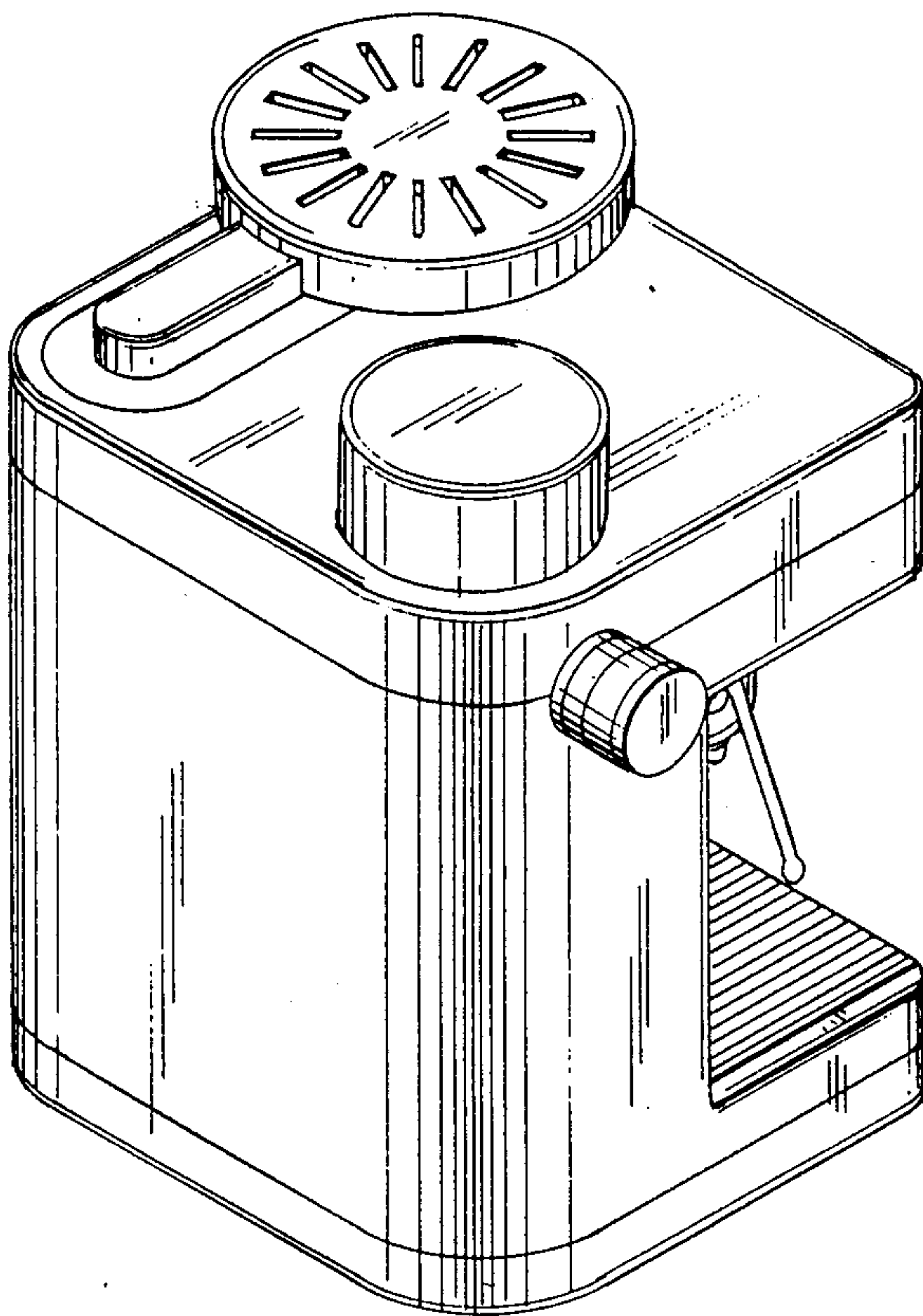


FIG. 7

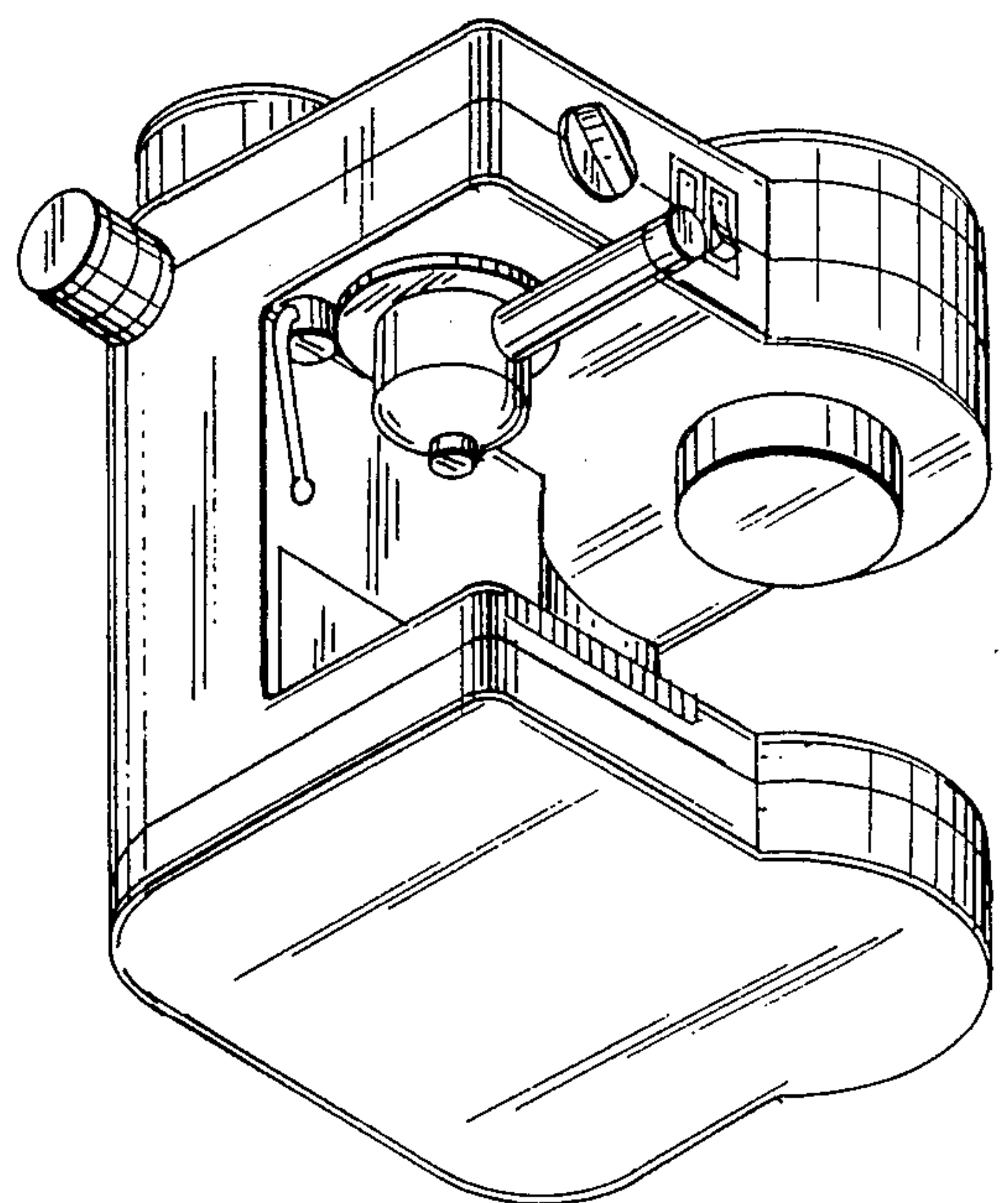


FIG. 8