

[54] PEGBOARD-ATTACHED MERCHANDISE DISPLAY HOLDER

[75] Inventor: Jacob R. Ballard, Lincolnton, N.C.

[73] Assignee: Vermont American Corporation, Louisville, Ky.

[**] Term: 14 Years

[21] Appl. No.: 323,546

[22] Filed: Mar. 13, 1989

[52] U.S. Cl. D6/572; D6/553

[58] Field of Search D6/512, 553, 566-567, D6/569-572; D8/363, 373; 211/44, 60.1, 70.6, 86-87, 106; 248/205.1, 302-304, 309.1, 309.2

[56] References Cited

U.S. PATENT DOCUMENTS

D. 278,874	5/1985	Thorneburg et al.	D6/553 X
2,872,145	2/1959	Goldscholl	D6/553 X
4,366,906	1/1983	Joyce	D6/553 X
4,366,908	1/1983	Anderson	211/87
4,520,978	6/1985	Taub	248/220.4

OTHER PUBLICATIONS

Architectural Graphic Standards (1981), p. 516-Double Hook (second from left, top row).

Primary Examiner—Wallace R. Burke
Assistant Examiner—Brian N. Vinson
Attorney, Agent, or Firm—Middleton & Reutlinger

[57] CLAIM

The ornamental design for a pegboard-attached merchandise display holder, as shown and described.

DESCRIPTION

FIG. 1 is a top, front, and left side perspective view of a pegboard-attached merchandise display holder showing my new design, the broken-line disclosure of a portion of pegboard and articles of merchandise being for illustrative purposes only and forming no part of the claimed design;

FIG. 2 is a top plan view thereof;

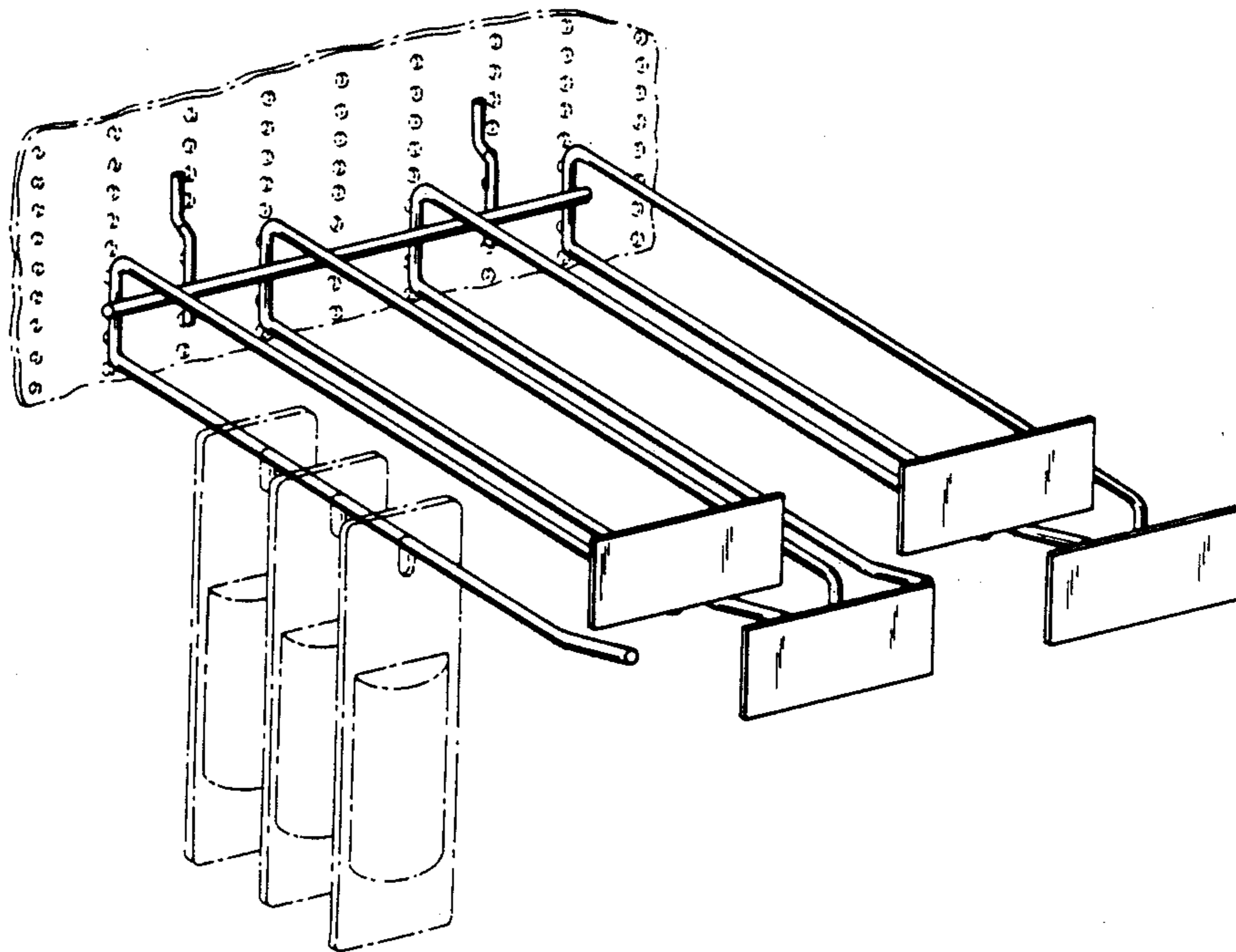
FIG. 3 is a left side elevational view thereof;

FIG. 4 is a front elevational view thereof;

FIG. 5 is a right side elevational view thereof;

FIG. 6 is a bottom plan view thereof; and

FIG. 7 is a rear elevational view thereof.



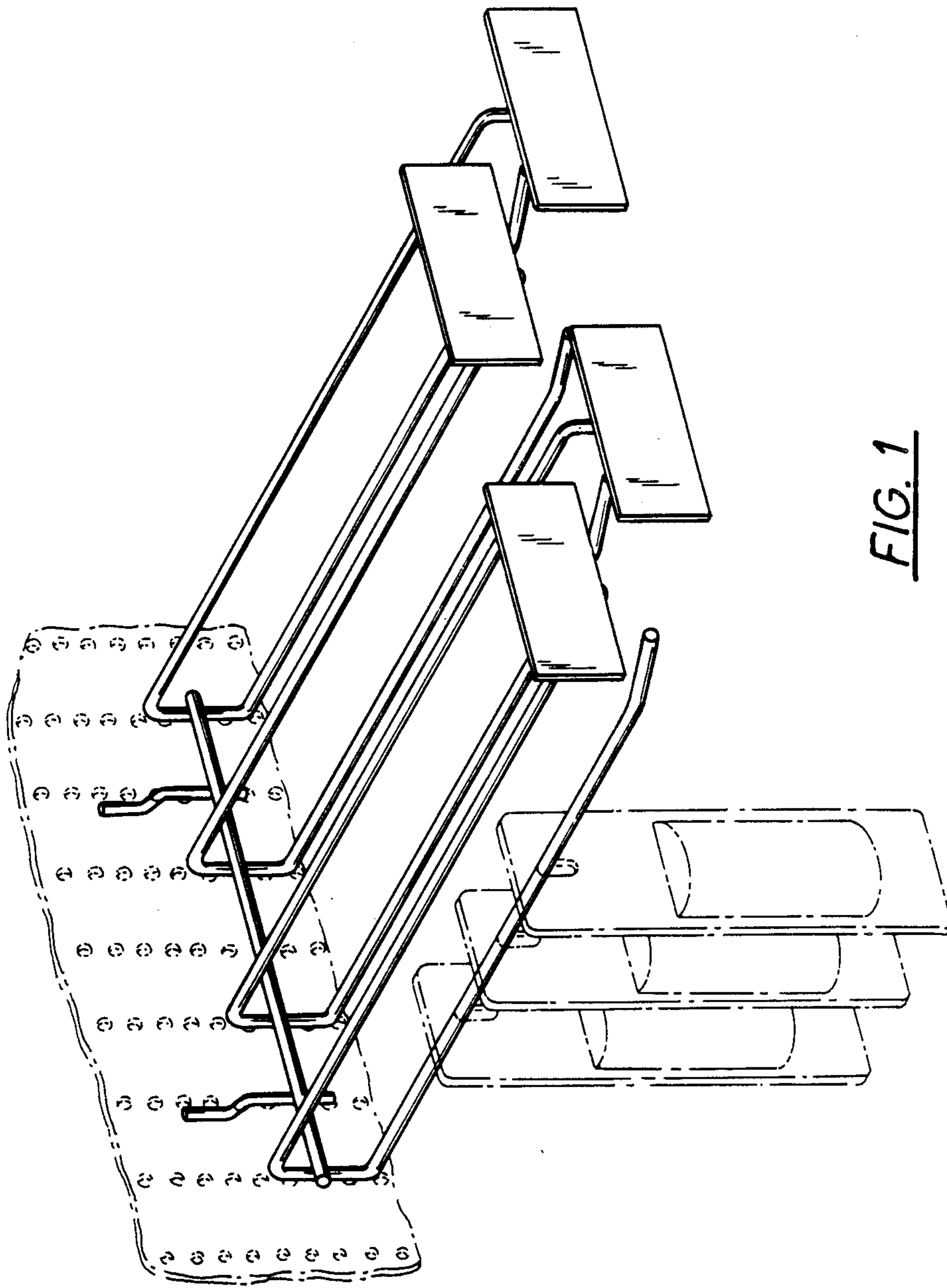


FIG. 1

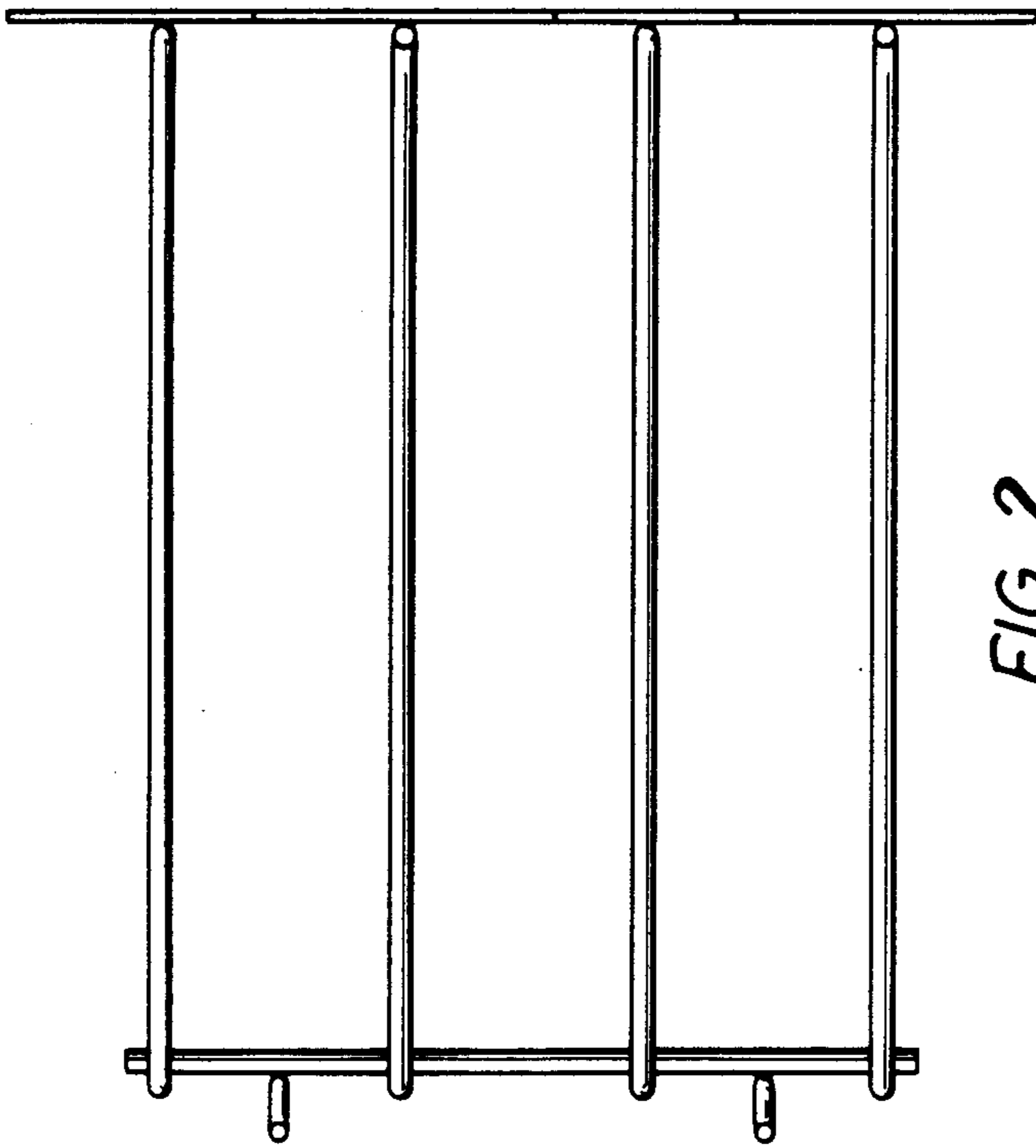


FIG. 2

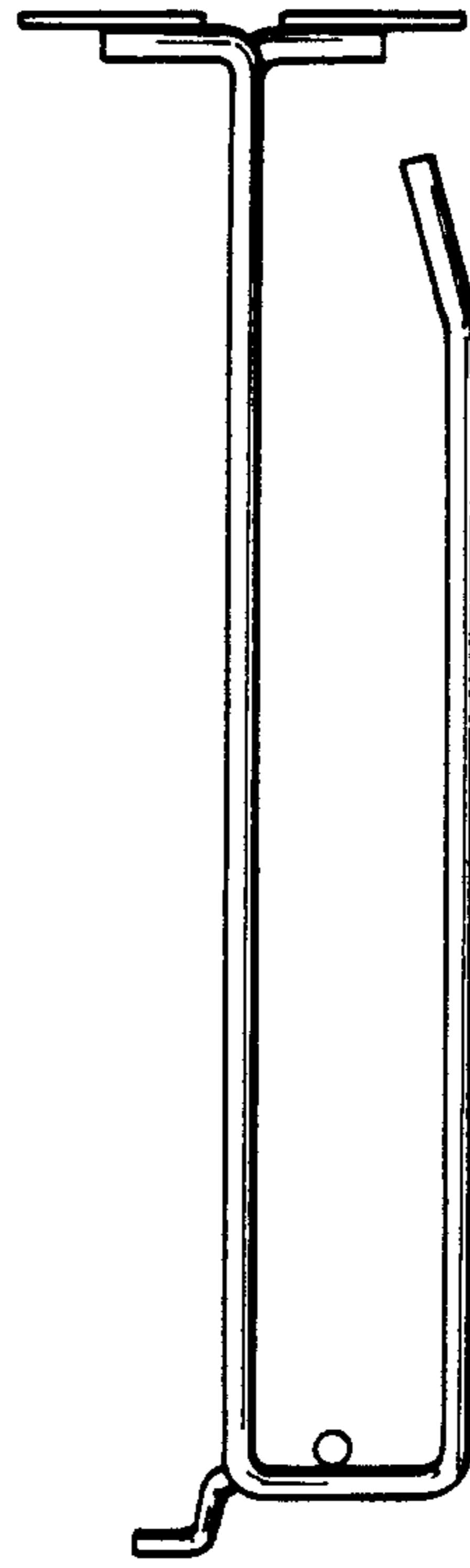


FIG. 3

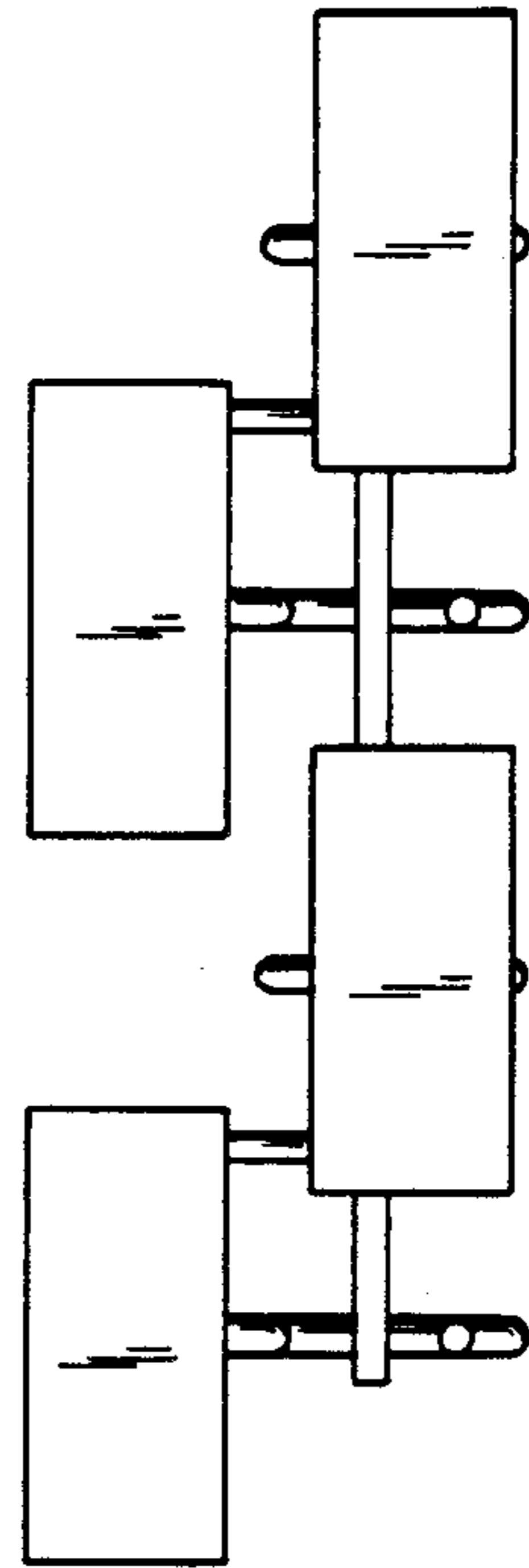


FIG. 4

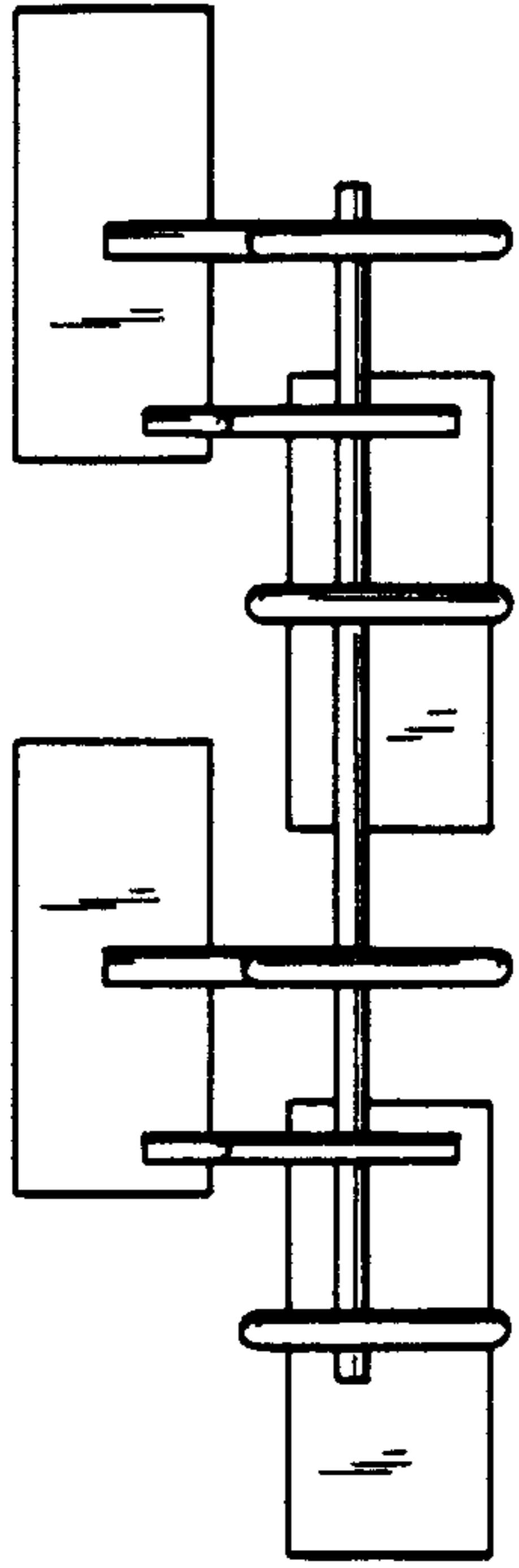


FIG. 7

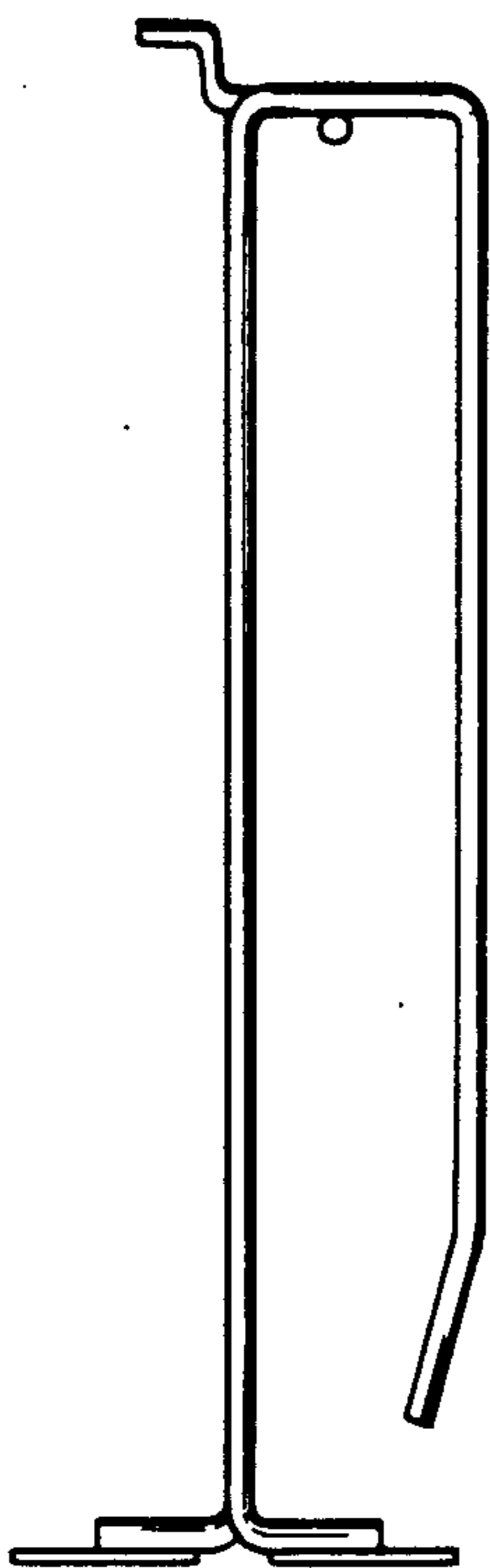


FIG. 5

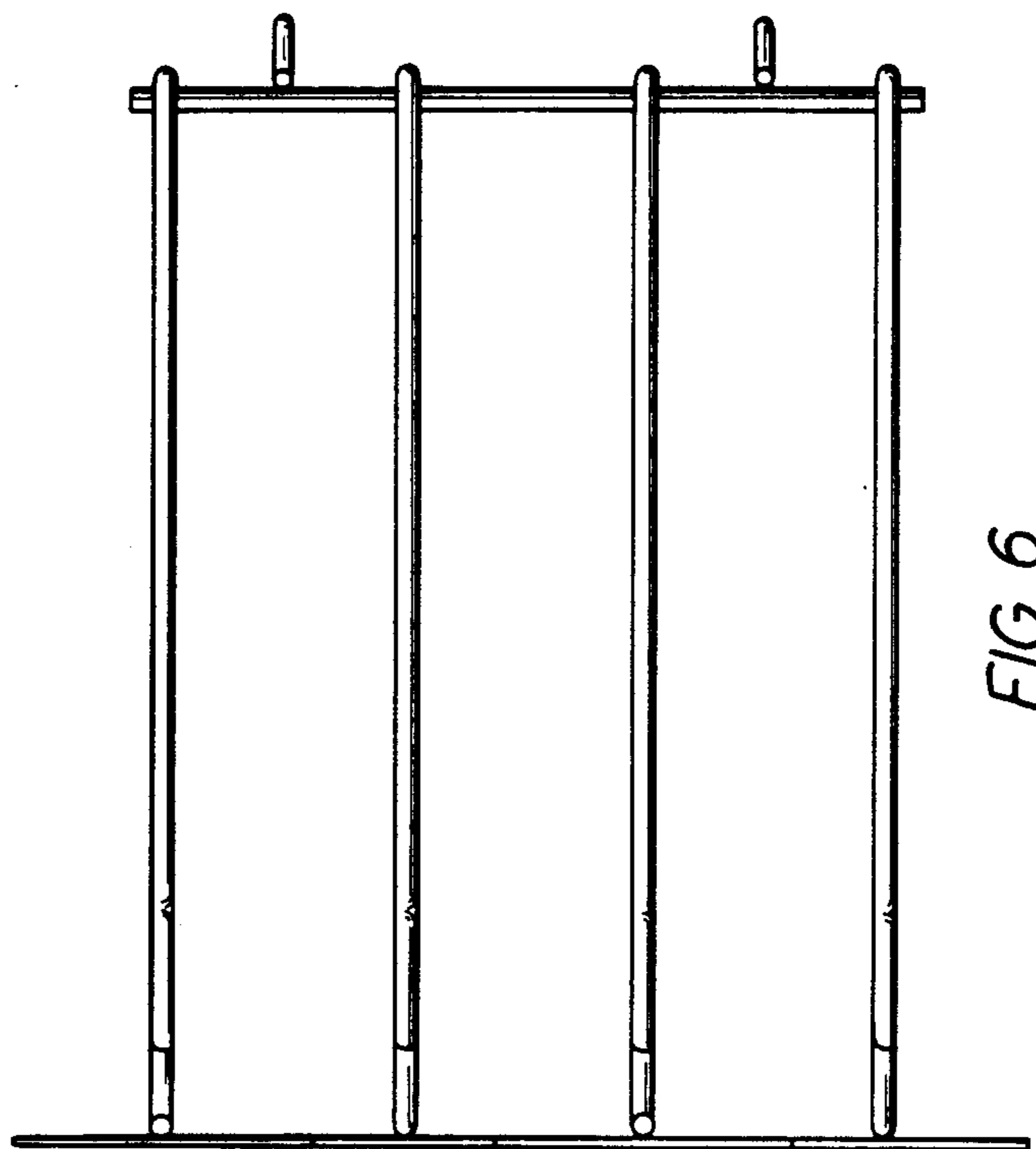


FIG. 6