

[54] **TUBE SQUEEZER**

4,316,556 2/1982 Ferrari 222/95

[76] **Inventor: Robert C. Tribbey, P.O. Box 652,
Knox City, Tex. 79529**

Primary Examiner—Wallace R. Burke
Assistant Examiner—Brian N. Vinson
Attorney, Agent, or Firm—Jerry T. Kearns

[**] **Term: 14 Years**

[21] **Appl. No.: 380,262**

[57] **CLAIM**

The ornamental design for a tube squeezer, as shown and described.

[22] **Filed: Jul. 17, 1989**

[52] **U.S. Cl. D6/541**

[58] **Field of Search D6/541; 206/277;
222/95-96, 98-99, 101, 103**

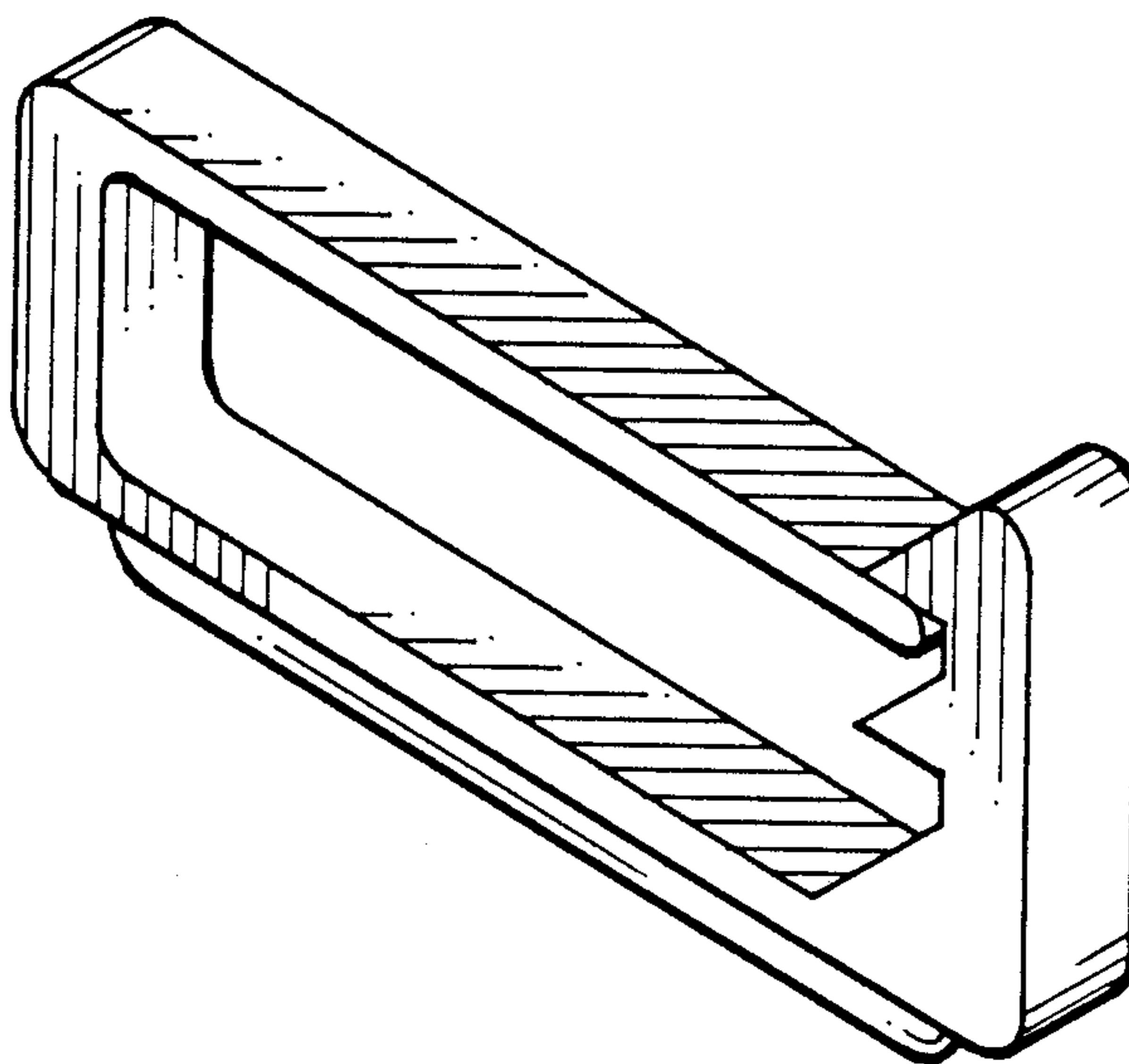
DESCRIPTION

[56] **References Cited**

U.S. PATENT DOCUMENTS

D. 206,857 2/1967 Dalton D6/541
2,903,162 9/1959 Regan D6/541 X
3,248,012 4/1966 Adams 222/95
4,159,787 7/1979 Wright D6/541 X

FIG. 1 is a front elevational view of a tube squeezer showing my new design;
FIG. 2 is a rear elevational view thereof;
FIG. 3 is a left side elevational view thereof;
FIG. 4 is a right side elevational view thereof;
FIG. 5 is a top plan view thereof;
FIG. 6 is a bottom plan view thereof; and,
FIG. 7 is a perspective view thereof.



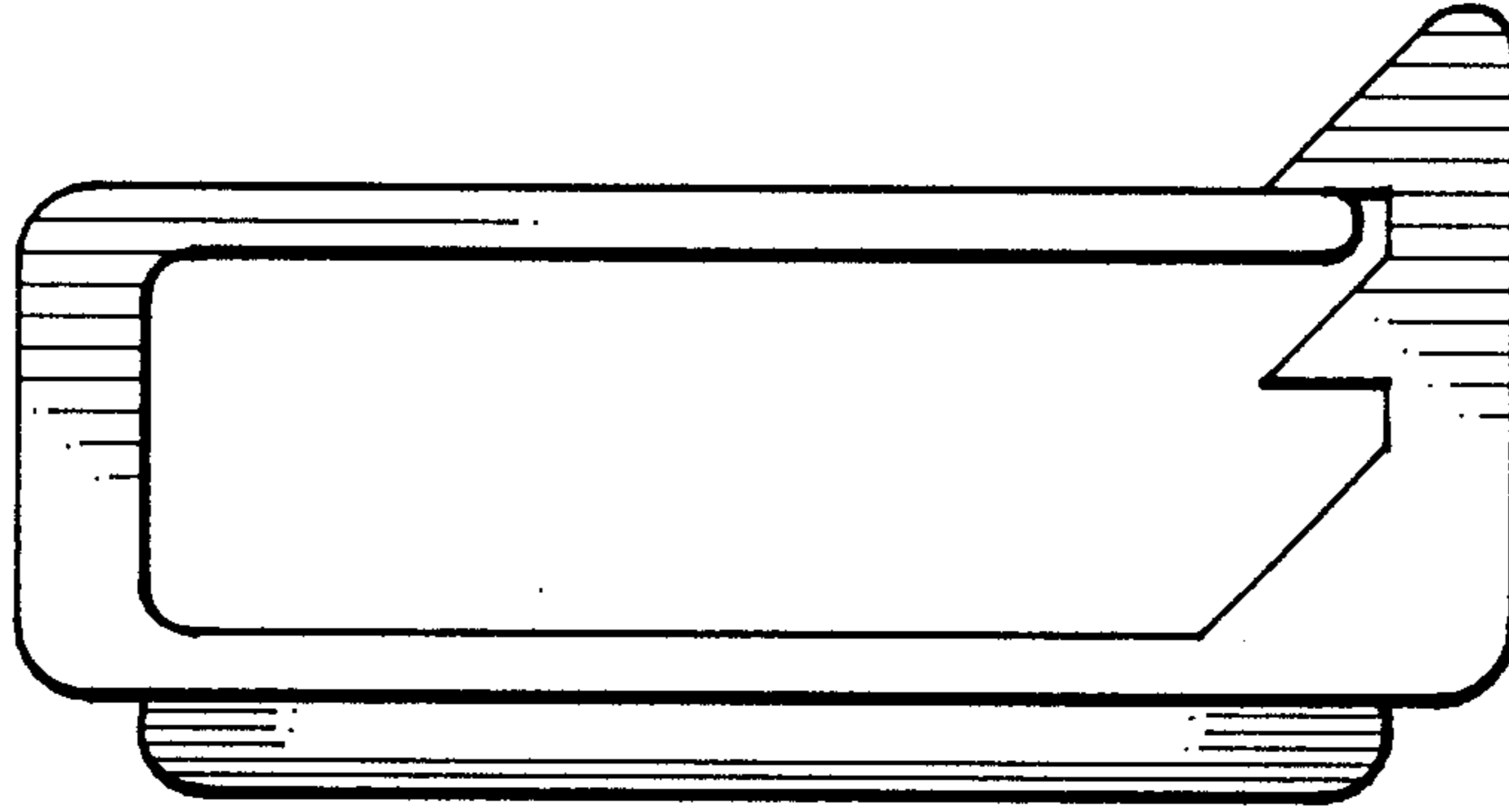


Fig. 1

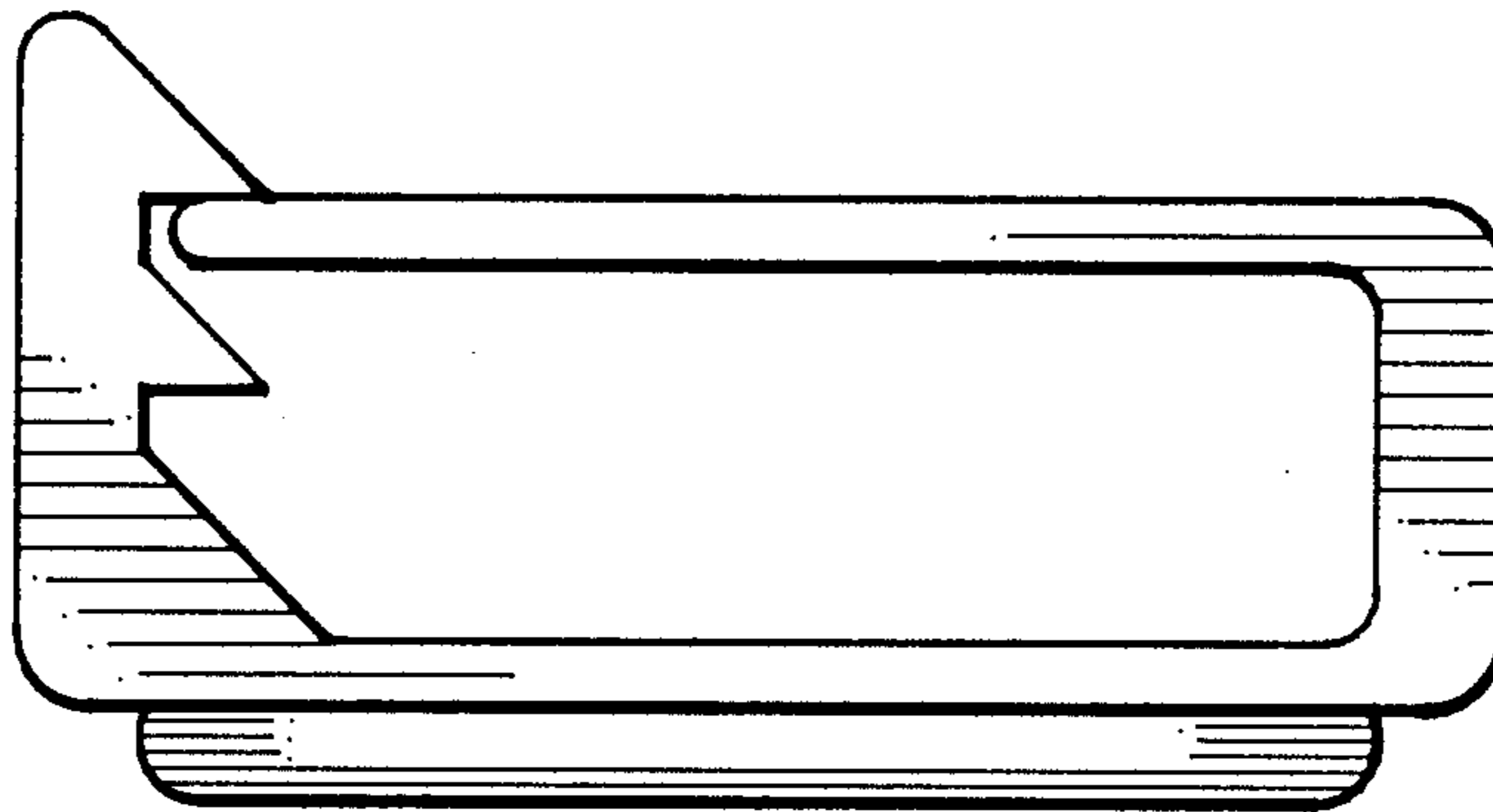


Fig. 2

Fig. 3

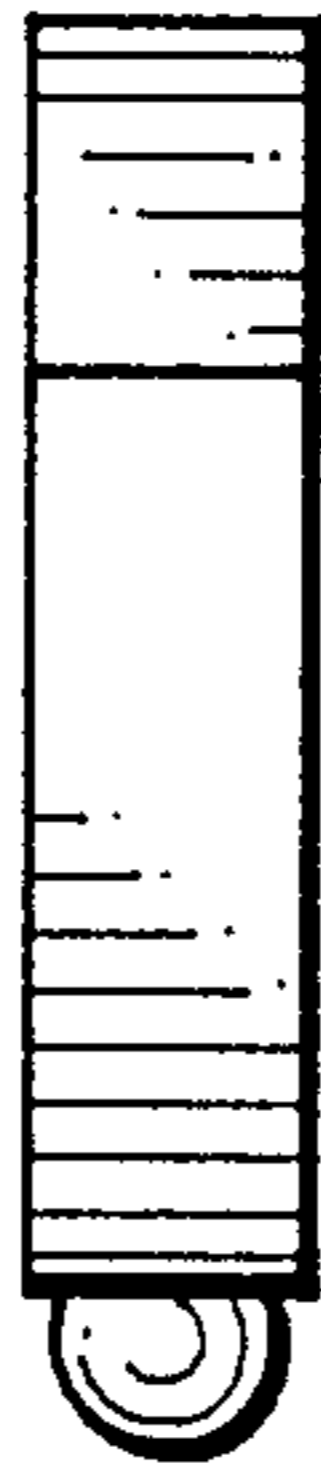


Fig. 4

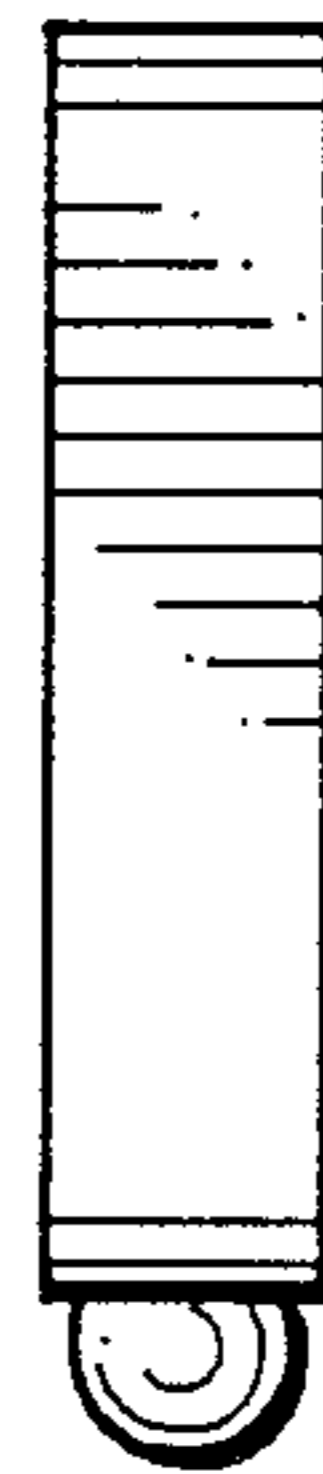


Fig. 5

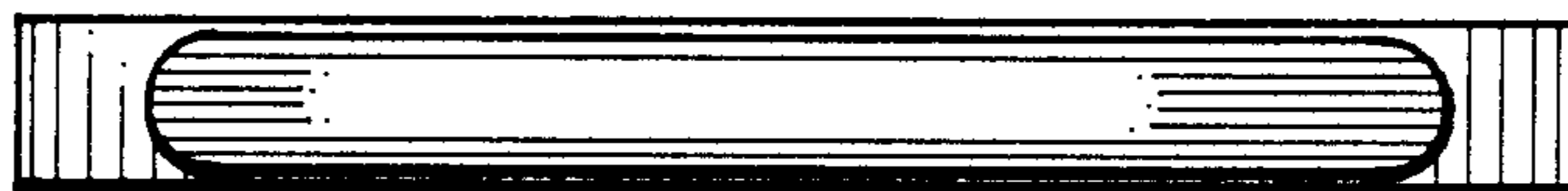


Fig. 6

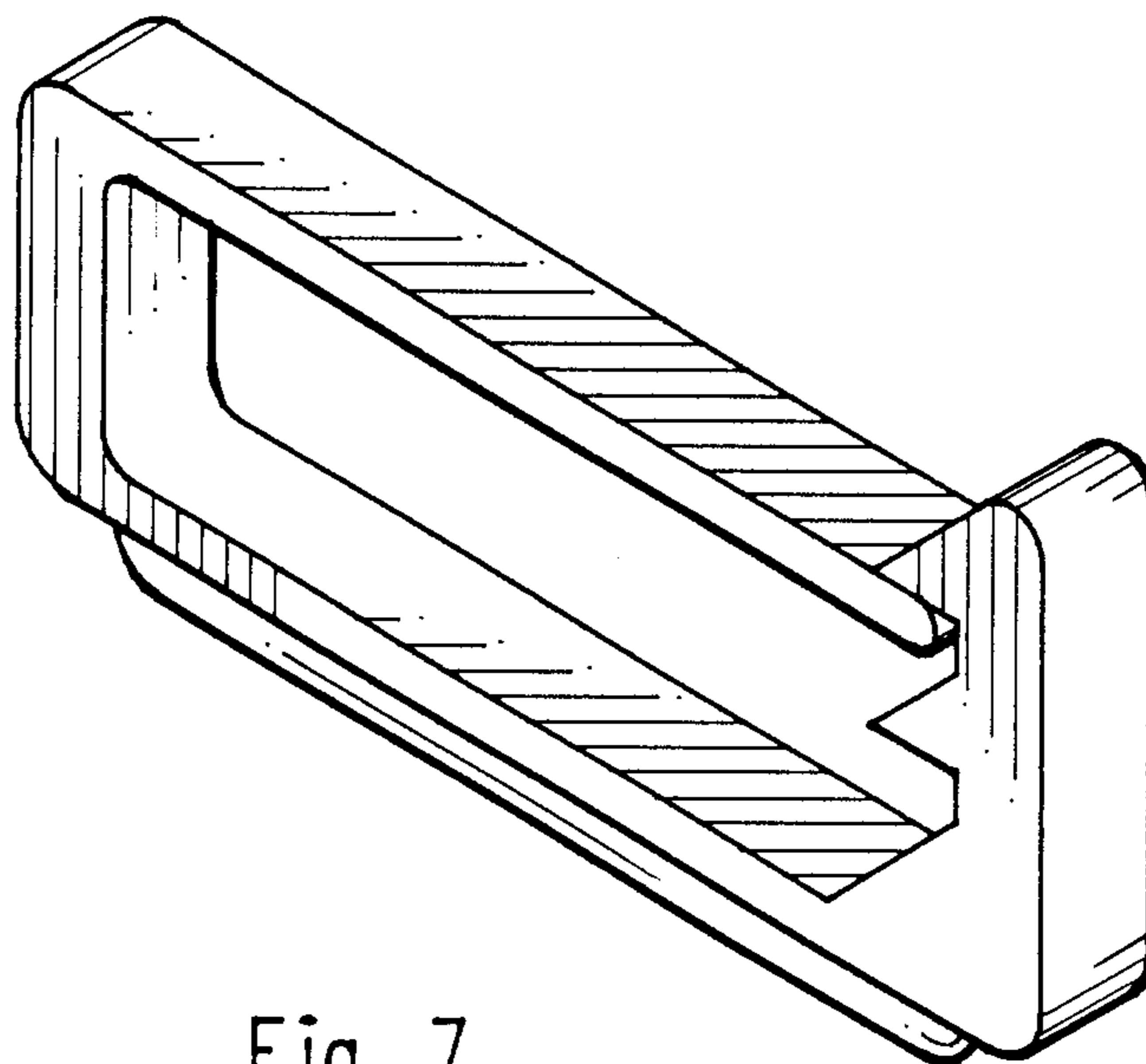


Fig. 7