

[54] **TABLE**

[76] **Inventor: Isaac Kubryk, 6161 E. Hwy. 12,
Lodi, Calif. 95240**

[**] **Term: 14 Years**

[21] **Appl. No.: 177,022**

[22] **Filed: Apr. 4, 1988**

[52] **U.S. Cl. D6/480**

[58] **Field of Search D6/480, 482, 486, 488,
D6/495, 442**

[56] **References Cited**

U.S. PATENT DOCUMENTS

- D. 270,411 9/1983 De Gregori D6/480
- D. 271,167 11/1983 Caulkett D6/495

D. 298,497 11/1988 Bigelow D6/495

OTHER PUBLICATIONS

Interiors, 4-1967, p. 87, table at bottom right.

Primary Examiner—Bruce W. Dunkins

Assistant Examiner—Janice Seeger

Attorney, Agent, or Firm—Basil Travis

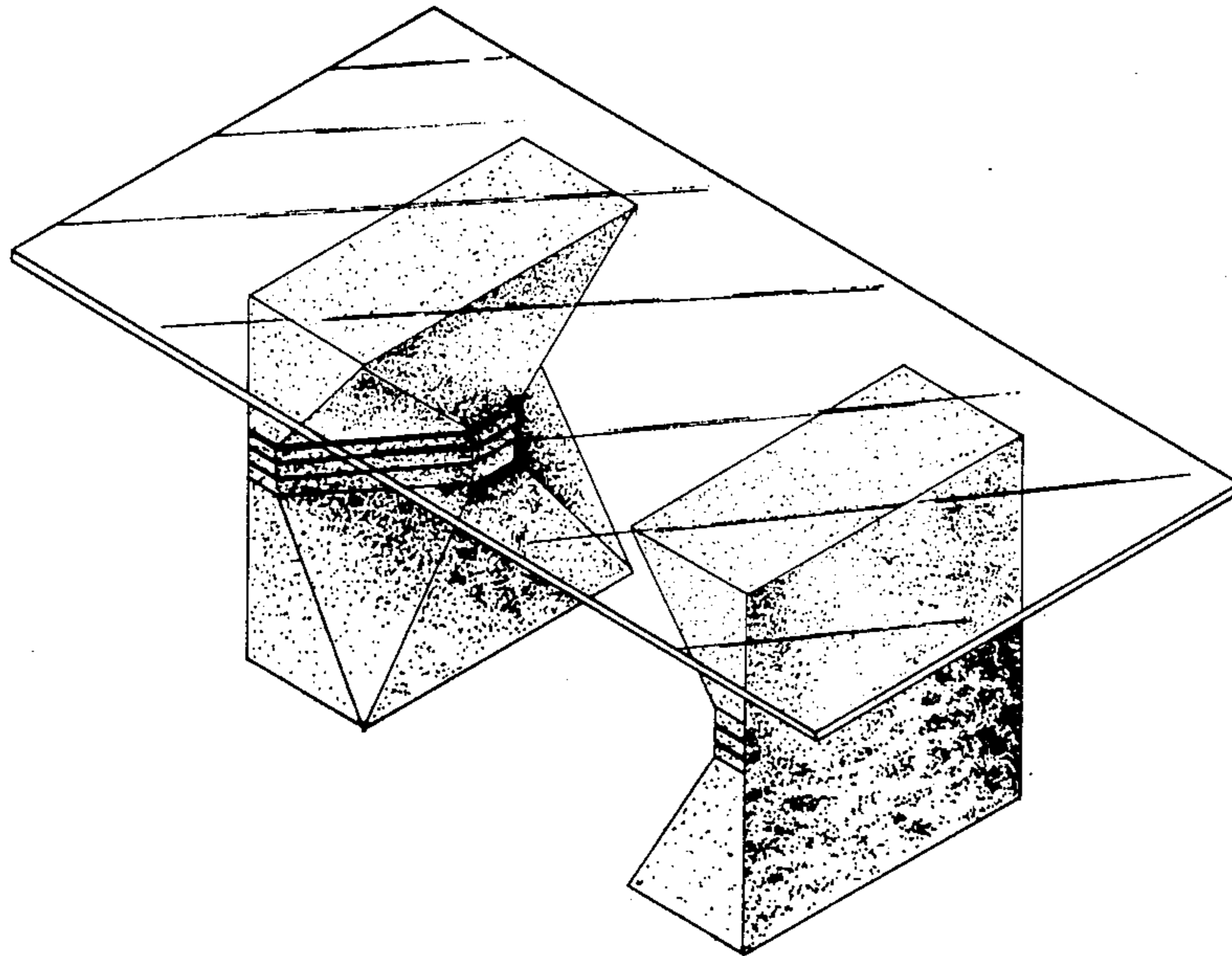
[57] **CLAIM**

The ornamental design for a table, as shown and described.

DESCRIPTION

FIG. 1 is a top perspective view of a table, showing my new design; and

FIG. 2 is a bottom perspective view thereof.



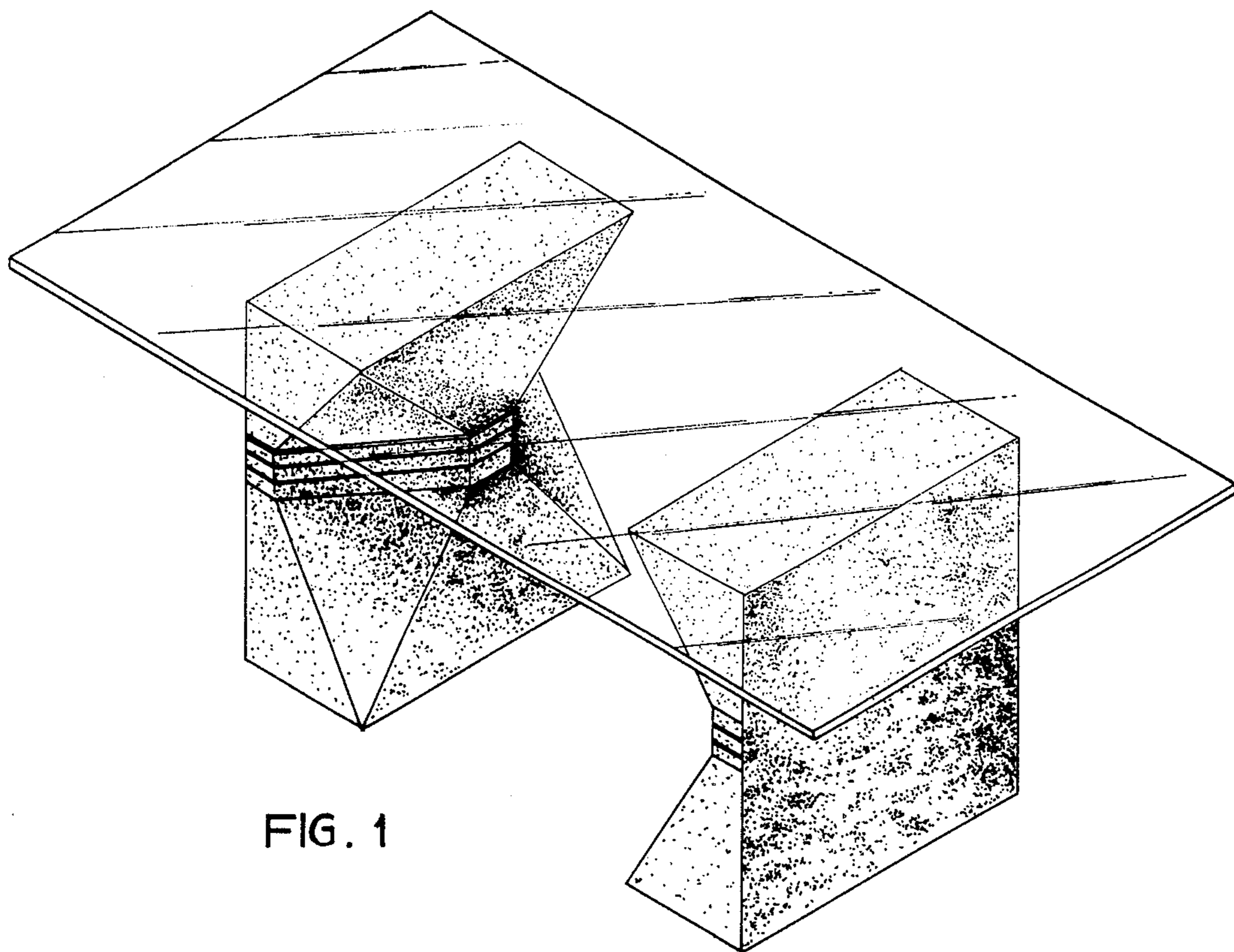


FIG. 1

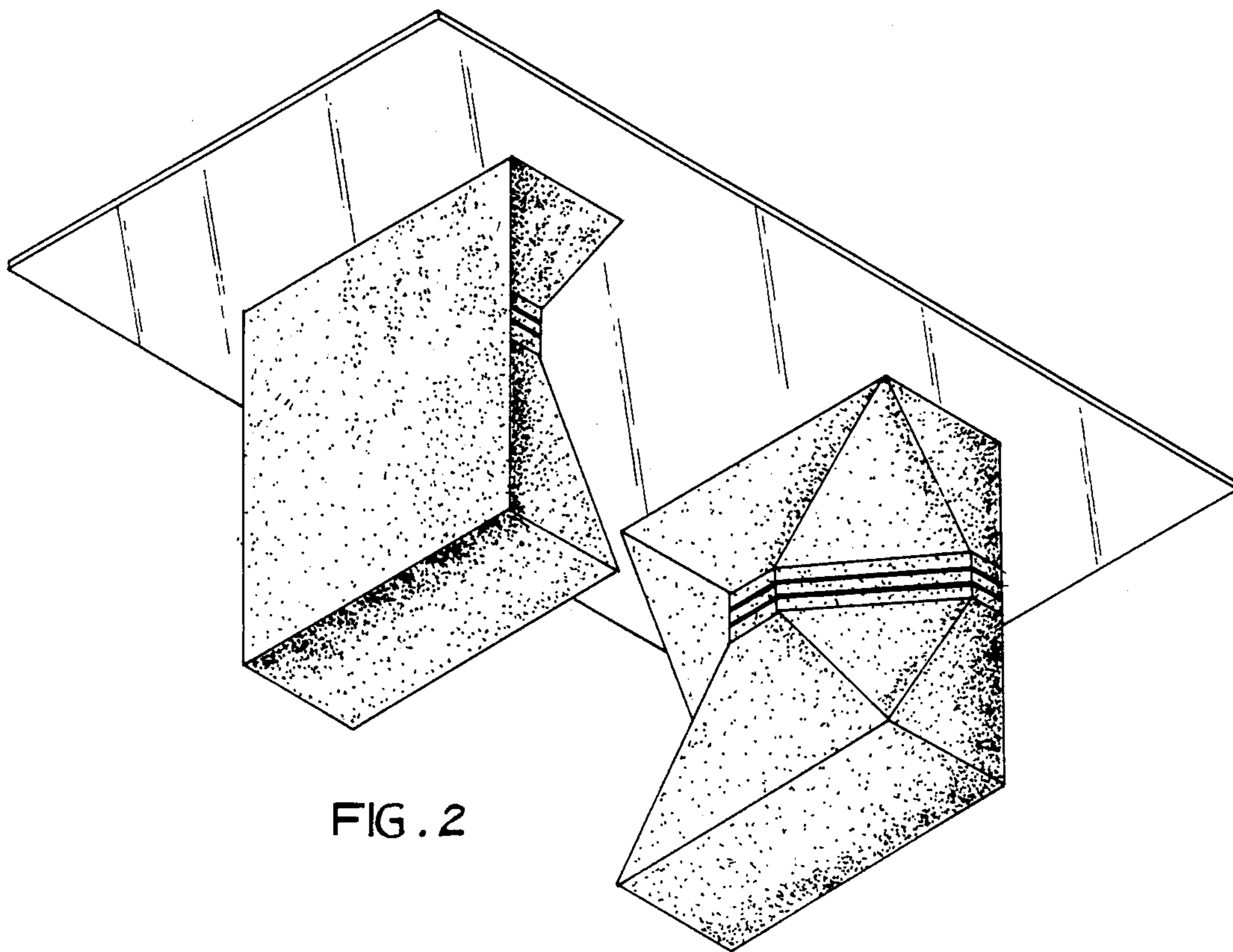


FIG. 2