

[54] **RACK FOR HOLDING AND BUNDLING  
NEWSPAPERS**

[76] **Inventor: Olle Humble, Tåppstigen 4, S-181 41  
Lidingö, Sweden**

[\*\*] **Term: 14 Years**

[21] **Appl. No.: 129,888**

[22] **Filed: Nov. 18, 1987**

[30] **Foreign Application Priority Data**

May 25, 1987 [SE] Sweden ..... 87-1235

[52] **U.S. Cl. .... D6/449; D6/475**

[58] **Field of Search .... D6/449, 462, 474, 510;  
D34/21; D7/631; 211/50, 49.1; 100/34**

[56] **References Cited**

**U.S. PATENT DOCUMENTS**

- D. 238,543 1/1976 Lechner ..... 211/50 X
- D. 286,837 11/1986 Nathan ..... D6/510
- D. 295,097 4/1988 Cohn et al. .... D34/21 X

- 3,038,403 6/1962 Orelind ..... 100/34
- 3,739,714 6/1973 Howard ..... 211/50 X
- 4,193,340 3/1980 Finn ..... 100/34

*Primary Examiner*—Bruce W. Dunkins  
*Assistant Examiner*—Jeffrey Asch  
*Attorney, Agent, or Firm*—Young & Thompson

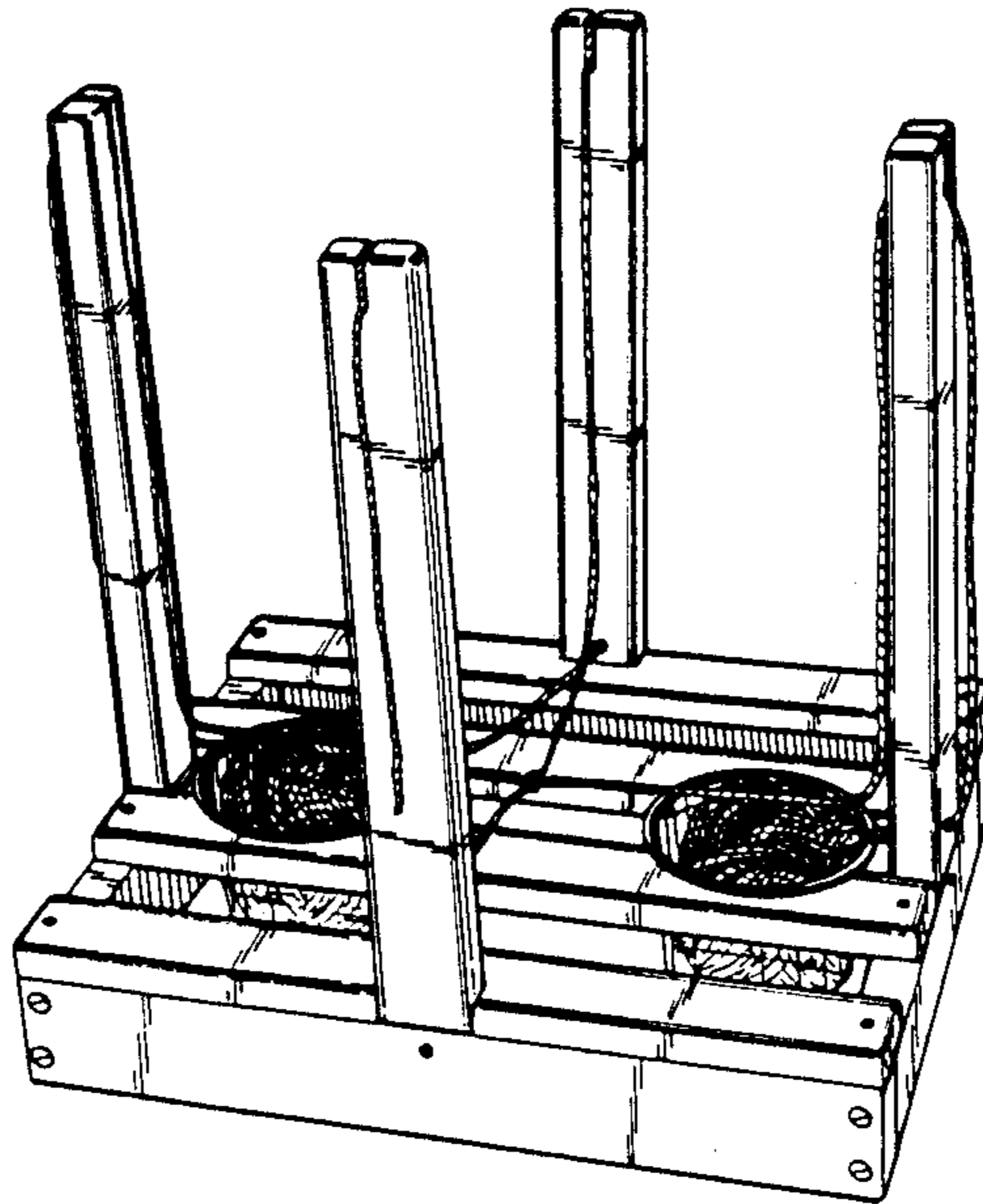
[57] **CLAIM**

The ornamental design for a rack for holding and bundling newspaper, as shown and described.

**DESCRIPTION**

FIG. 1 is a front perspective view of a rack for holding and bundling newspaper showing my new design;  
FIG. 2 is a top and left side perspective view thereof;  
and  
FIG. 3 is a rear, bottom and right side perspective view thereof.

The side opposite that shown in FIG. 1 is similar thereto and the side opposite that shown in FIG. 2 is similar thereto.



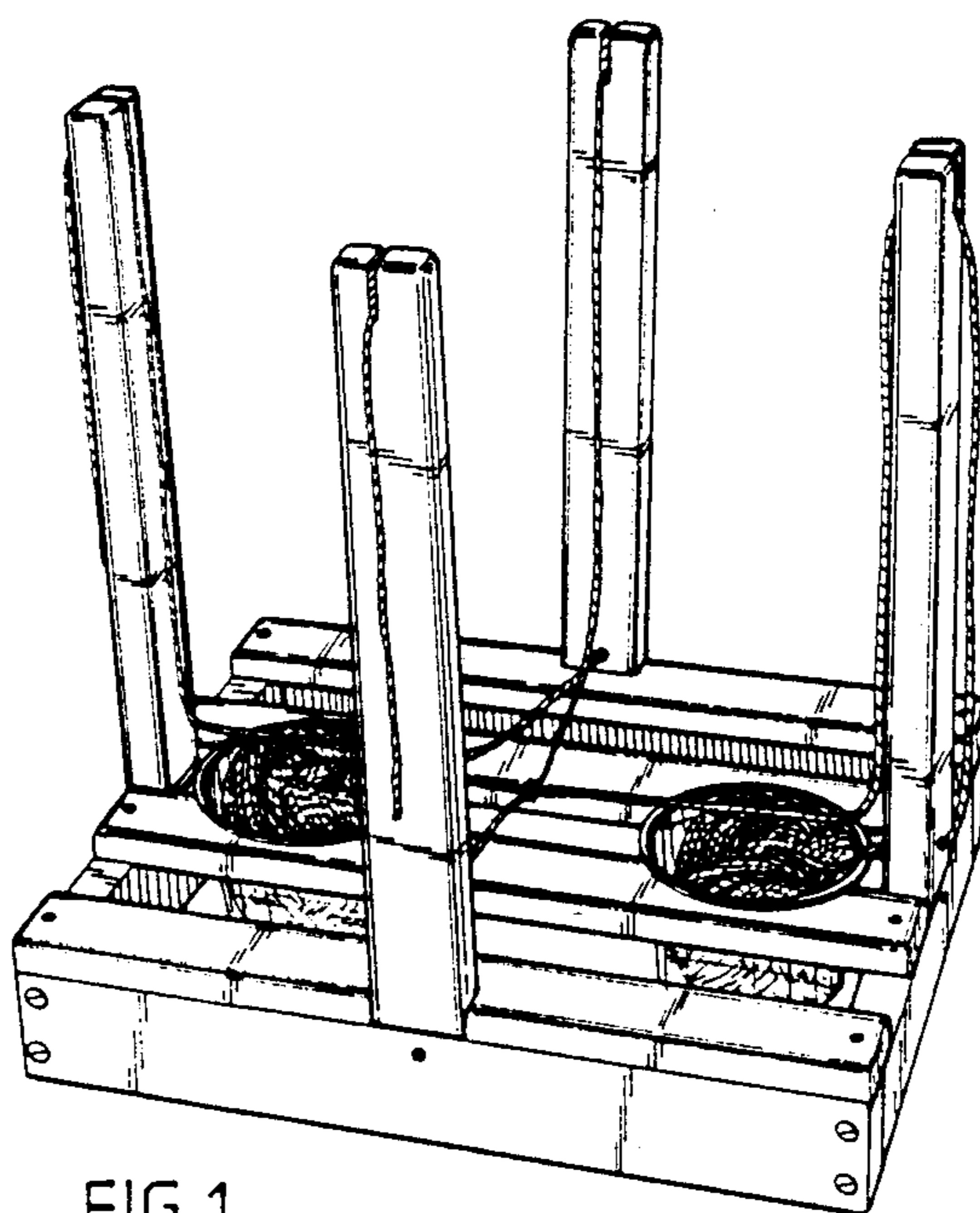


FIG. 1

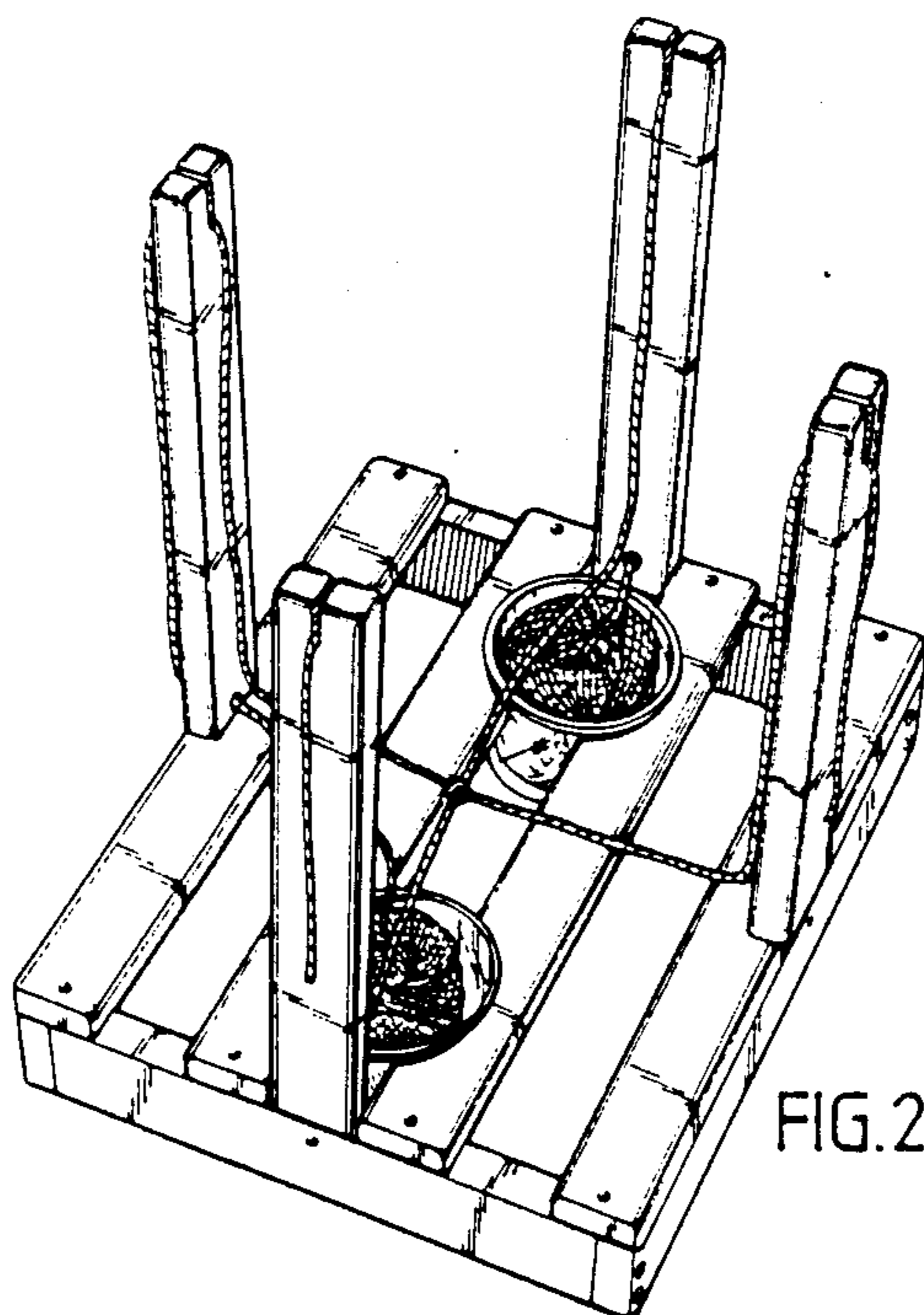


FIG. 2

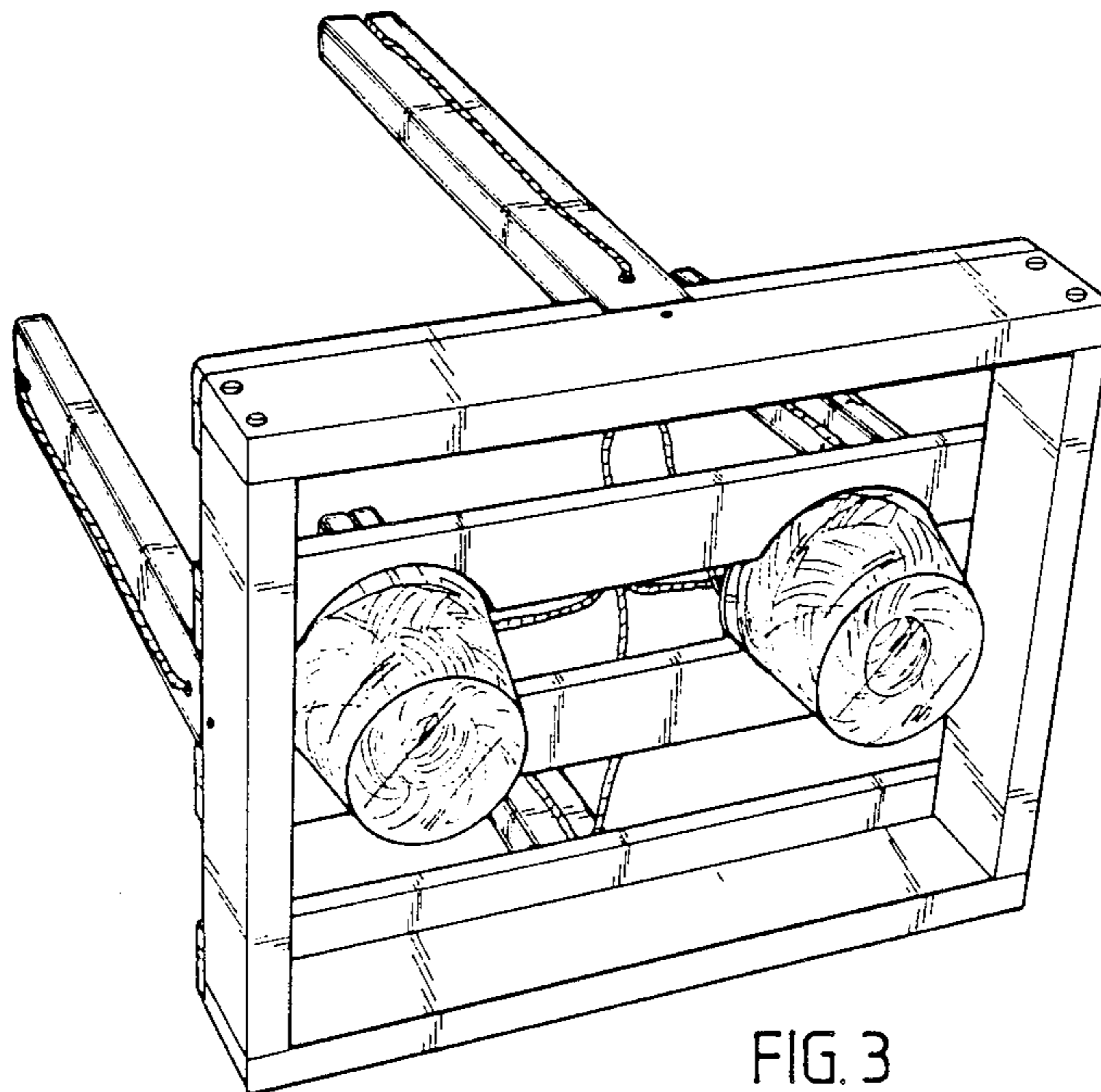


FIG. 3