

[54] COMPUTER STAND WITH A SWIVEL ARM

[75] Inventor: Antonius F. M. Bende, Amsterdam, Netherlands

[73] Assignee: Publibox Advertising V.O.F., Amsterdam, Netherlands

[**] Term: 14 Years

[21] Appl. No.: 130,732

[22] Filed: Dec. 9, 1987

[30] Foreign Application Priority Data

Jun. 12, 1987 [XH] Hague 62225-00

[52] U.S. Cl. D6/429; D6/491; D6/509

[58] Field of Search D6/419, 420, 429-431, D6/462-463; D24/4, 5, 8, 10; 108/94, 103; 248/920-922, 441.1

[56] References Cited

U.S. PATENT DOCUMENTS

D. 209,489	12/1967	Cullen	D6/463
D. 227,069	6/1973	Webb	D6/418
D. 266,385	10/1982	Musgrove et al.	D6/500
D. 284,282	6/1986	Robinson	D6/462
D. 285,507	9/1986	Middlemist	D6/419
D. 292,150	10/1987	Restin et al.	D6/419
3,934,806	1/1976	Rady	248/441.1

4,111,471	9/1978	Hanley	D6/462
4,183,489	1/1980	Copher et al.	248/122
4,213,560	7/1980	Hall	248/122 X
4,548,373	10/1985	Komura	248/122
4,561,339	12/1985	Jensen	248/441.1
4,653,715	3/1987	Schmidt et al.	248/122 X
4,695,024	9/1987	Haven	248/281.1

FOREIGN PATENT DOCUMENTS

2619771 11/1977 Fed. Rep. of Germany 312/233

Primary Examiner—Nelson C. Holtje

Assistant Examiner—Janice Seeger

Attorney, Agent, or Firm—Cooper & Dunham

[57] CLAIM

The ornamental design for a computer stand with a swivel arm, as shown and described.

DESCRIPTION

FIG. 1 is a left front perspective view of a computer stand with a swivel arm in accordance with the invention;

FIG. 2 is a front elevational view of the computer stand with a swivel arm;

FIG. 3 is a left side elevational view, the opposite side being a mirror image;

FIG. 4 is a rear elevational view;

FIG. 5 is a top plan view;

FIG. 6 is a bottom view.

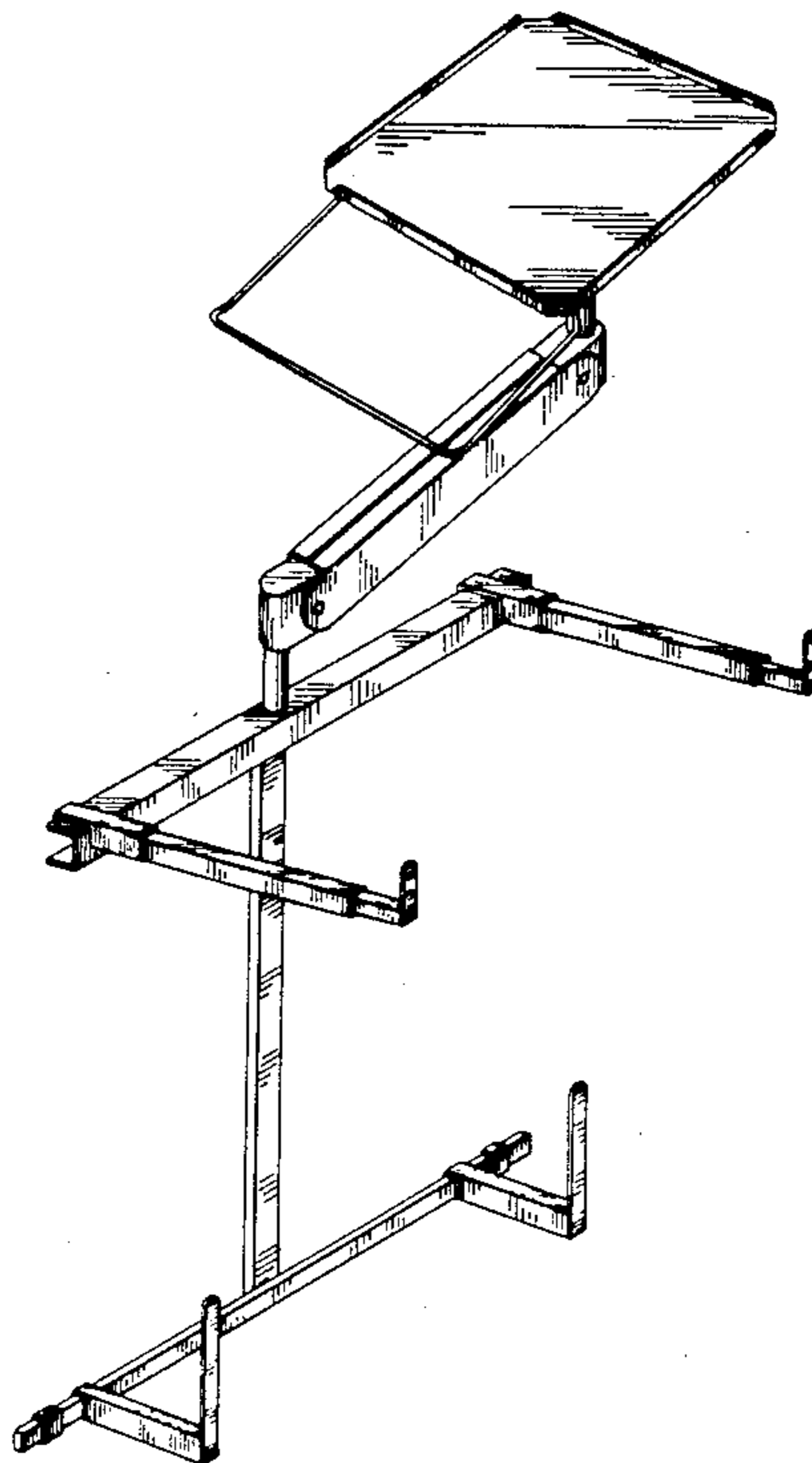
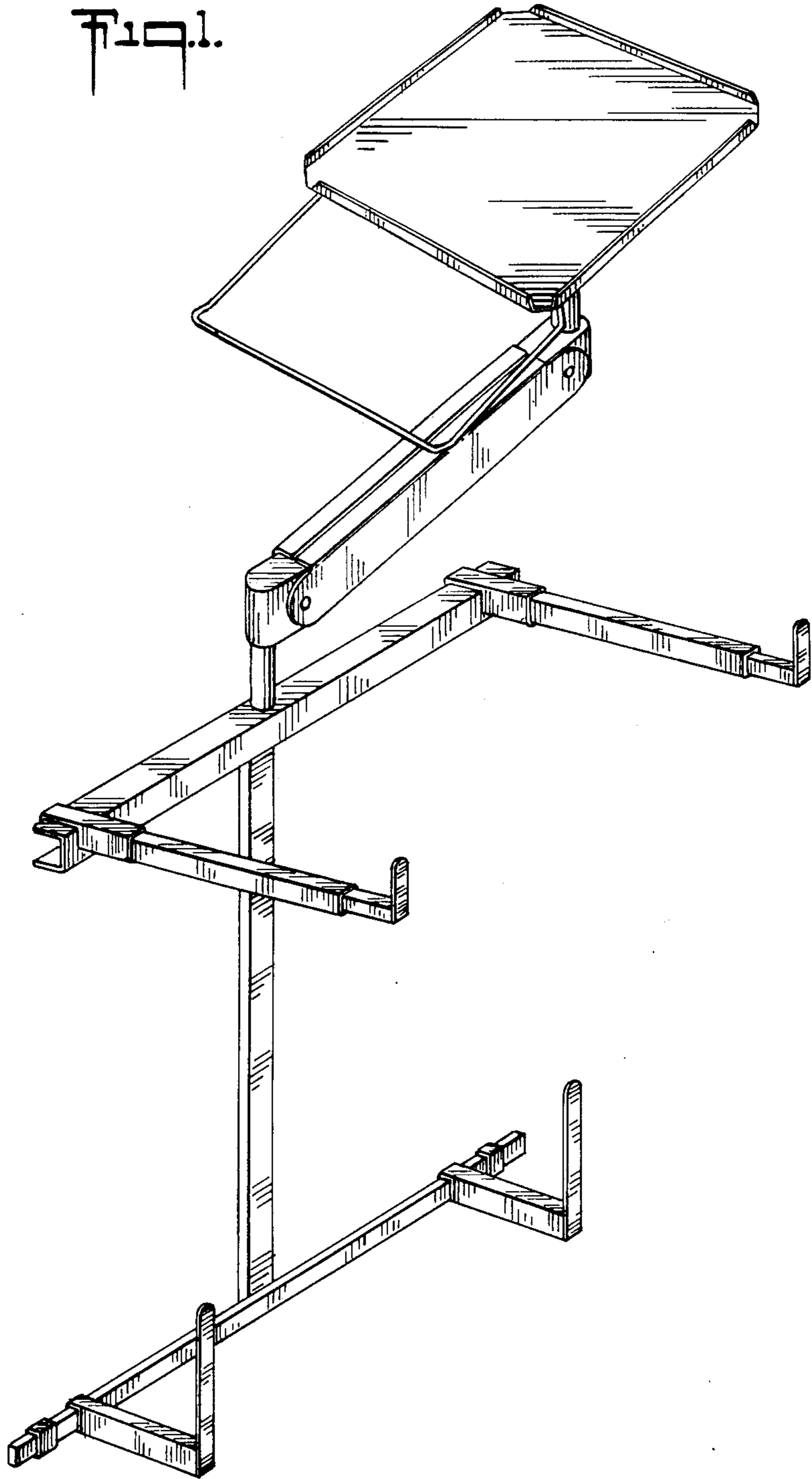


Fig. 1.



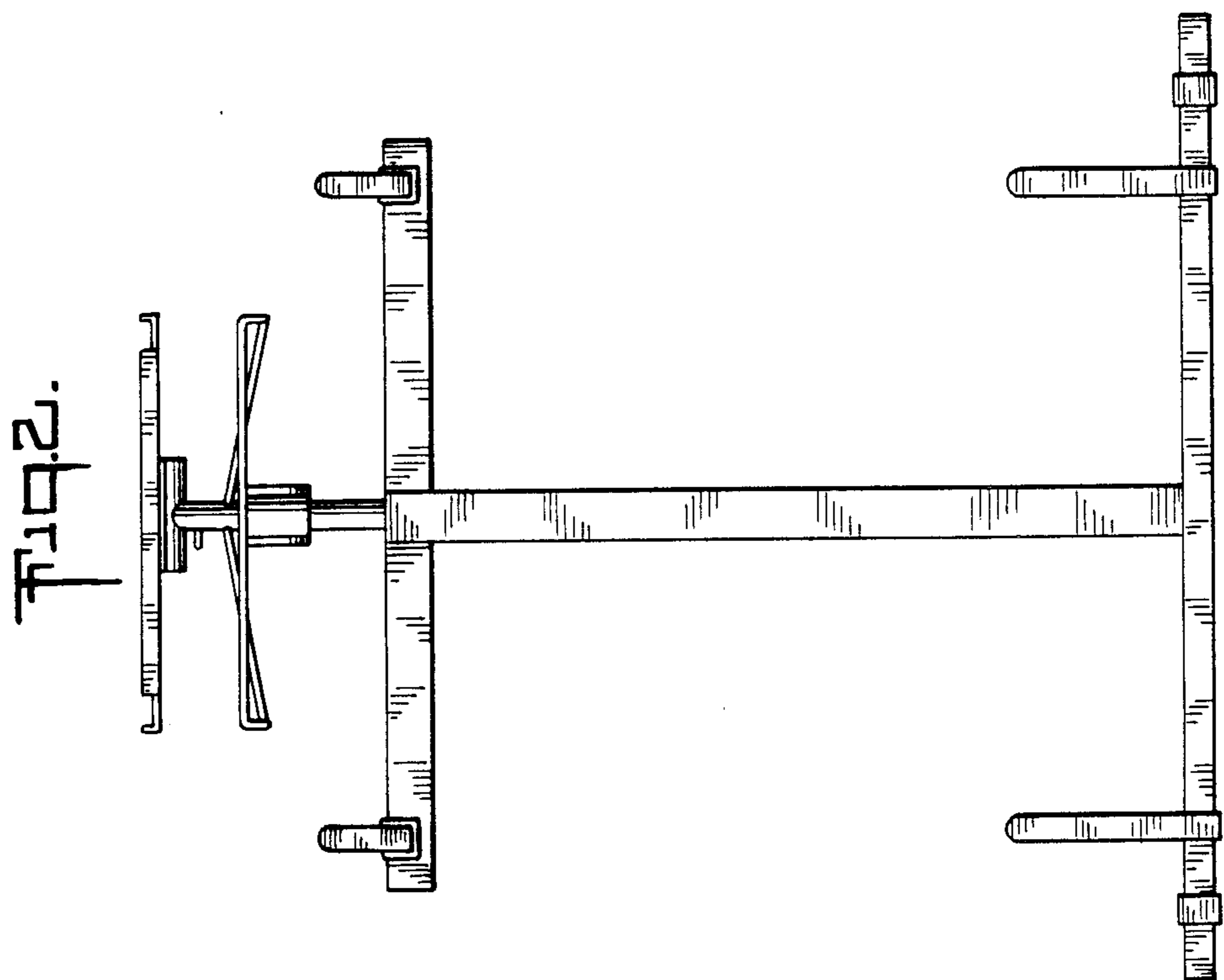
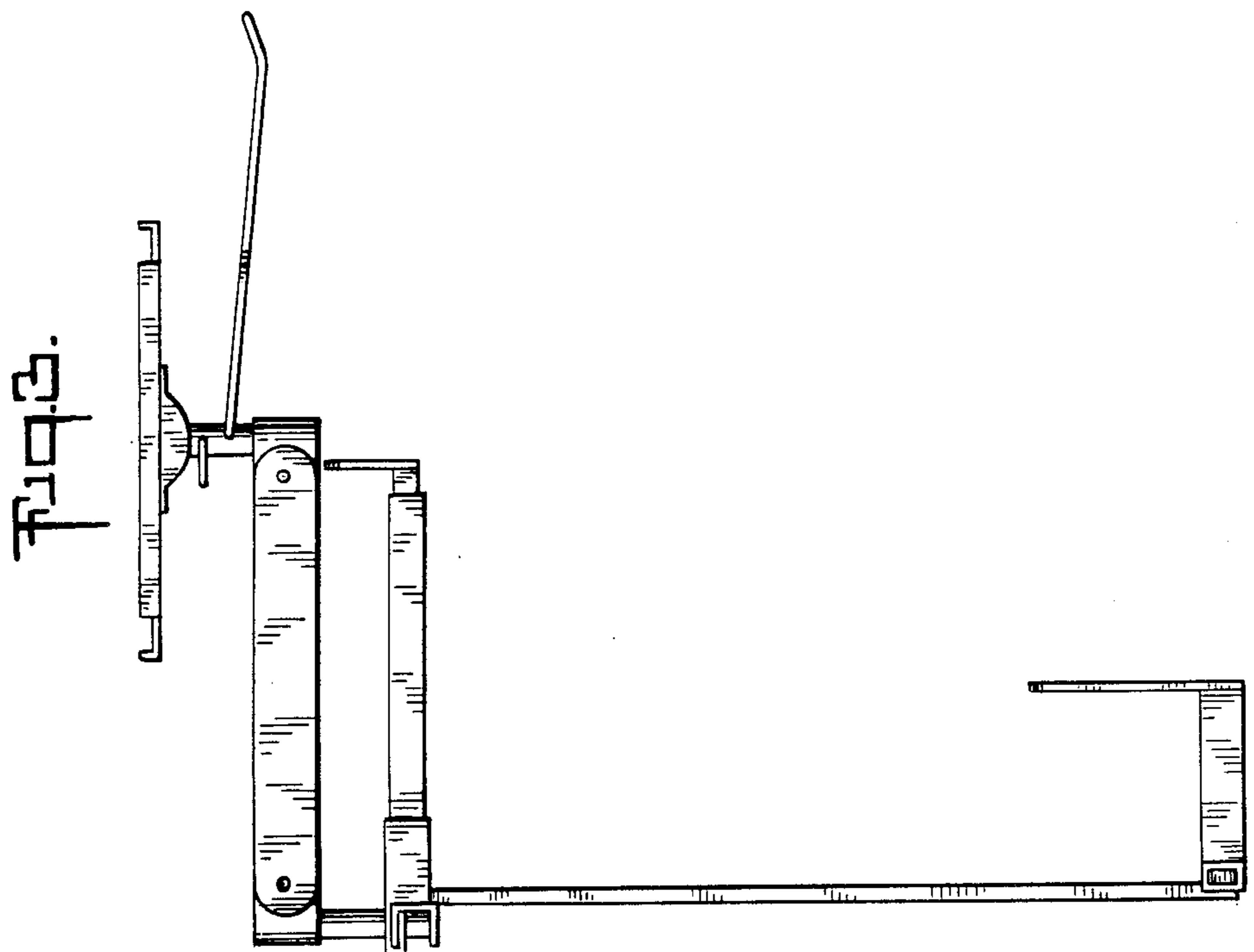


Fig. 4

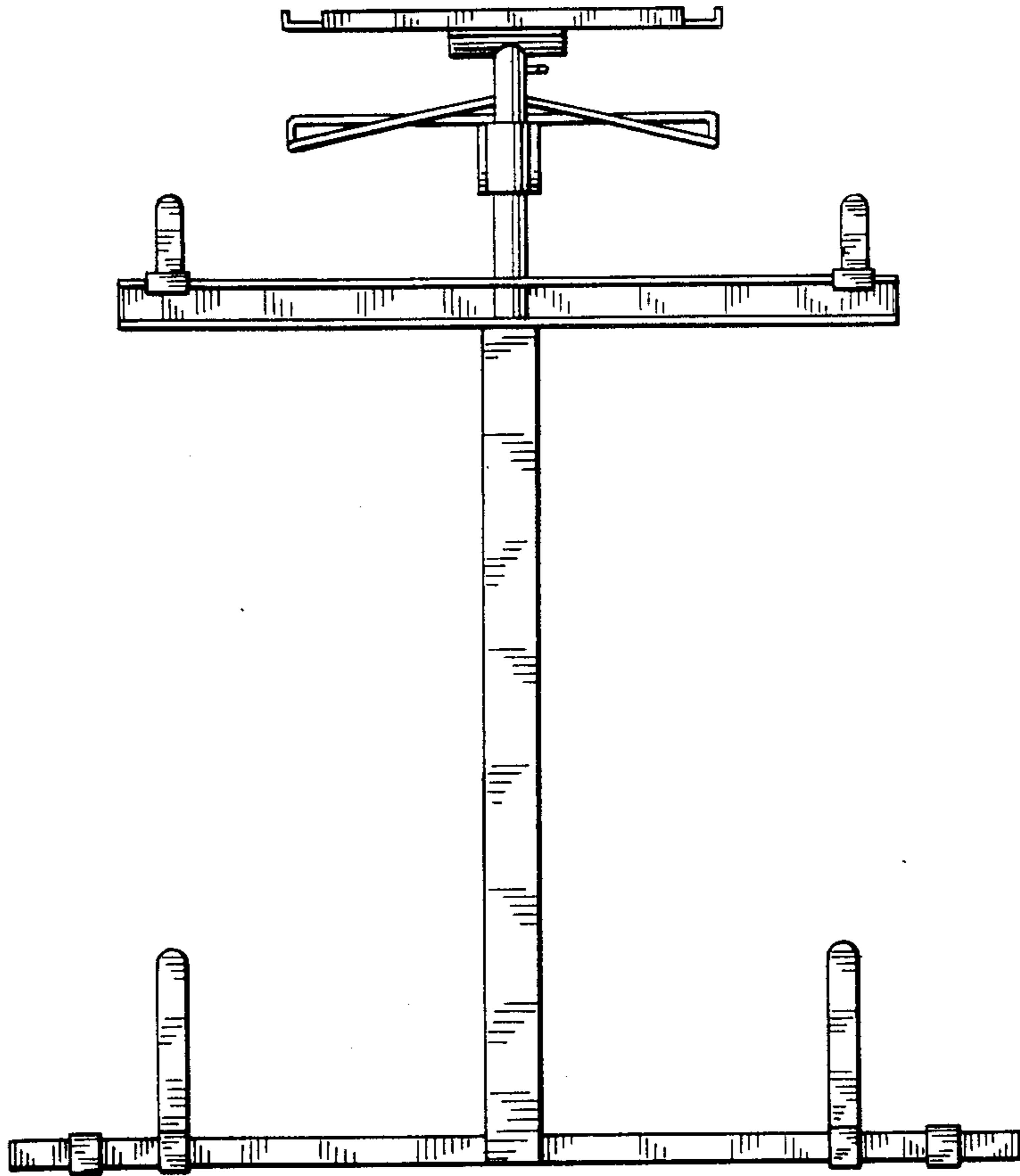


Fig. 5.

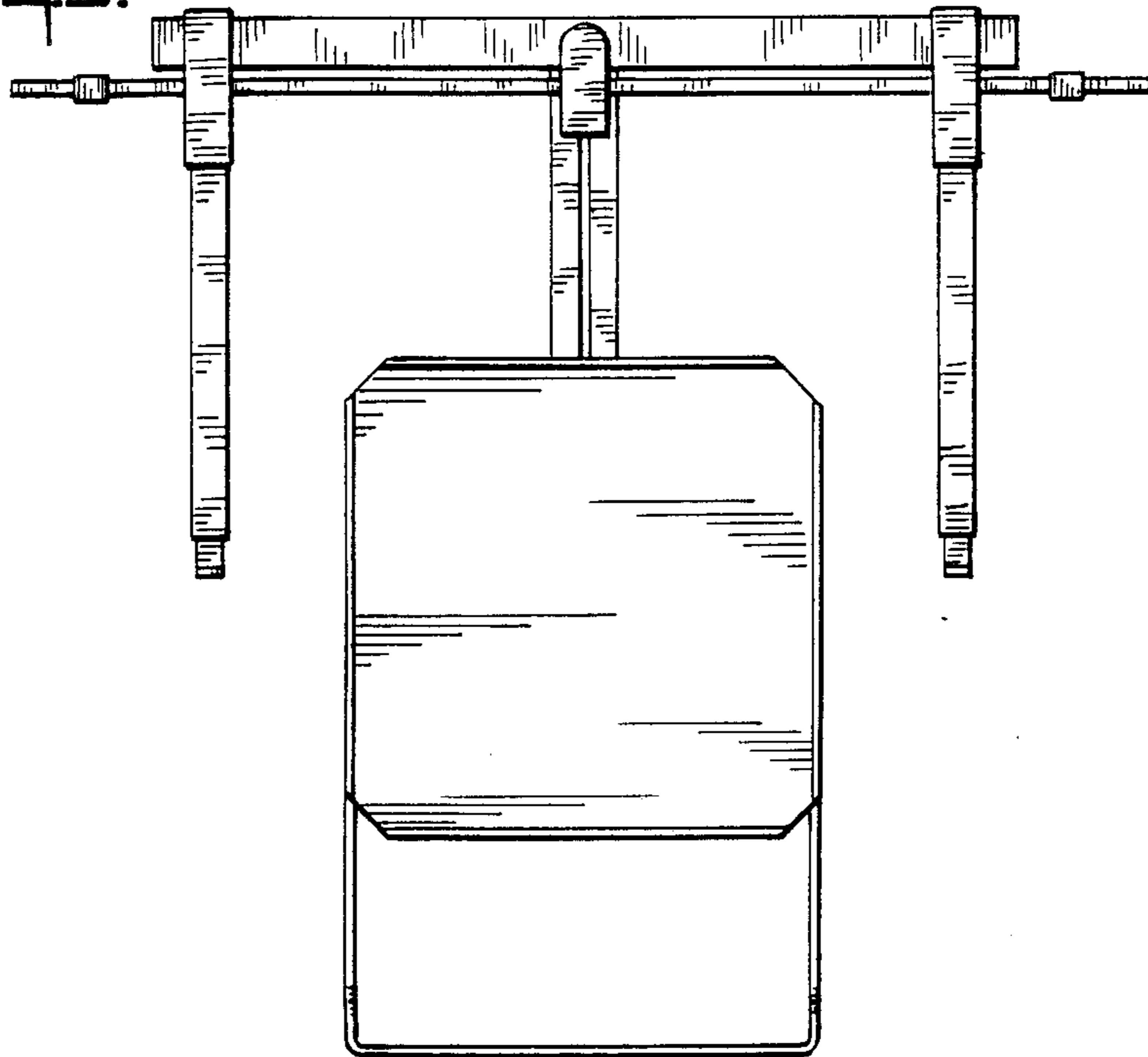


Fig. 6.

