

[54] **PRODUCT DISPLAY AND DISPENSER STAND**

[75] Inventors: **Steven W. Barker**, Plano; **Richard E. McCathren**, Dallas, both of Tex.

[73] Assignee: **Summers Group**, Dallas, Tex.

[**] Term: **14 Years**

[21] Appl. No.: **137,654**

[22] Filed: **Dec. 24, 1987**

[52] U.S. Cl. **D6/408**

[58] **Field of Search** D6/408, 512, 515, 517, D6/518, 519, 520, 310; 211/13, 49.1, 51, 52, 55, 59.2, 87, 88, 90; 312/35, 42, 45, 72, 73; 221/45, 155, 191, 194, 282

[56] **References Cited**

U.S. PATENT DOCUMENTS

D. 84,481	6/1931	Keim	D6/408
D. 189,261	11/1960	Yoshizumi	D6/515
D. 306,808	3/1990	Thomas	D6/515
487,438	12/1892	Wallace et al.	211/49.1 X

1,586,111	5/1926	Osborn	211/49.1 X
3,104,778	9/1963	Leonard	D6/515 X
3,168,215	2/1965	Vido	221/282 X
3,298,568	1/1967	Le Brocq	221/155

OTHER PUBLICATIONS

A page of a 3M Brochure displaying tape dispensers.

Primary Examiner—Carmen H. Vales-Lado
Attorney, Agent, or Firm—Baker & Botts

[57] **CLAIM**

The ornamental design for a product display and dispenser stand, as shown and described.

DESCRIPTION

FIG. 1 is a perspective view of a product display and dispenser stand showing our new design, the broken lines are shown for illustrative purposes only; FIG. 2 is a left side elevational view, the right side being a mirror image thereto; FIG. 3 is a front elevational view thereof; FIG. 4 is a rear elevational view thereof; FIG. 5 is a top plan view thereof; and FIG. 6 is a bottom plan view thereof.

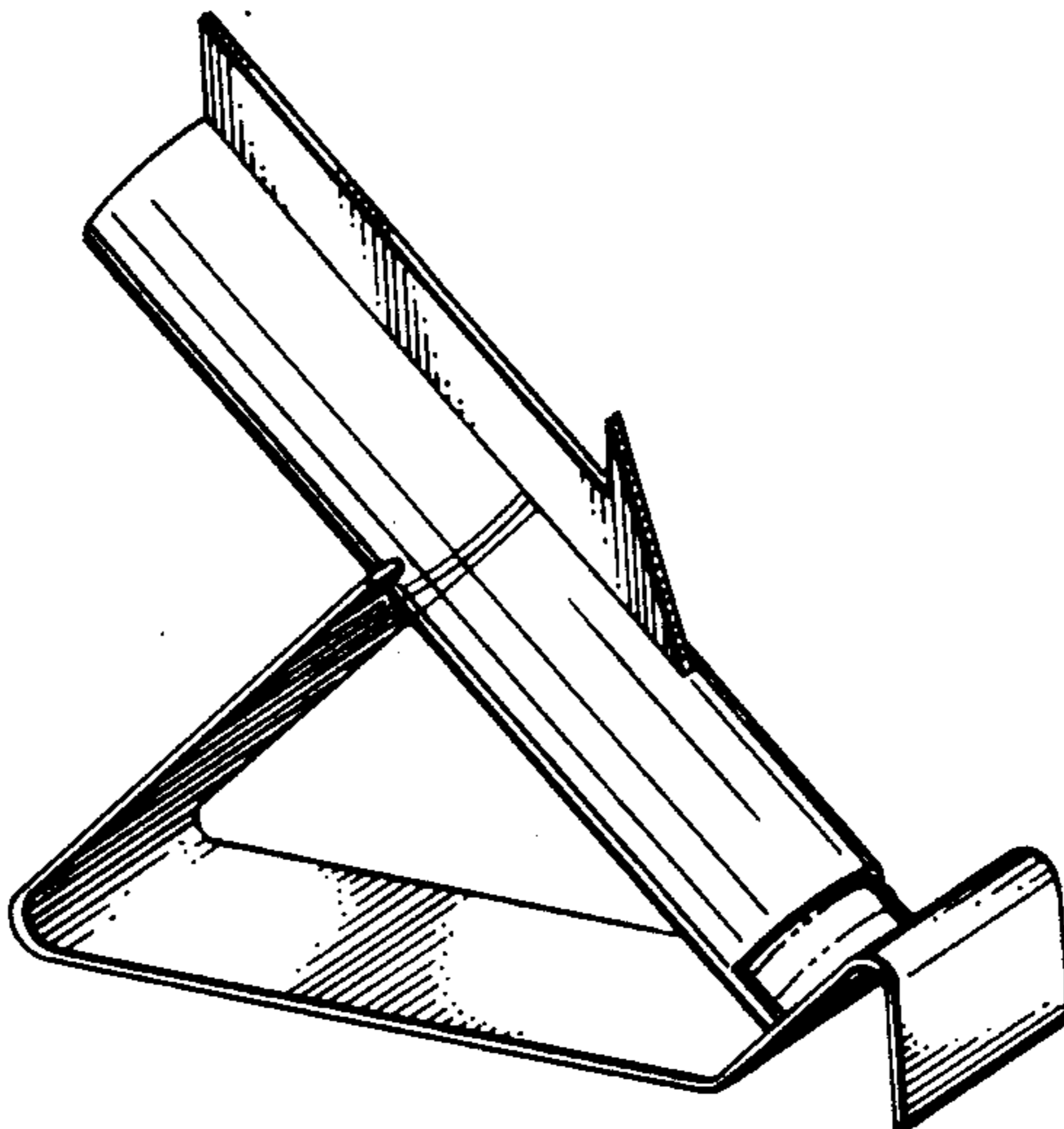


FIG. 1

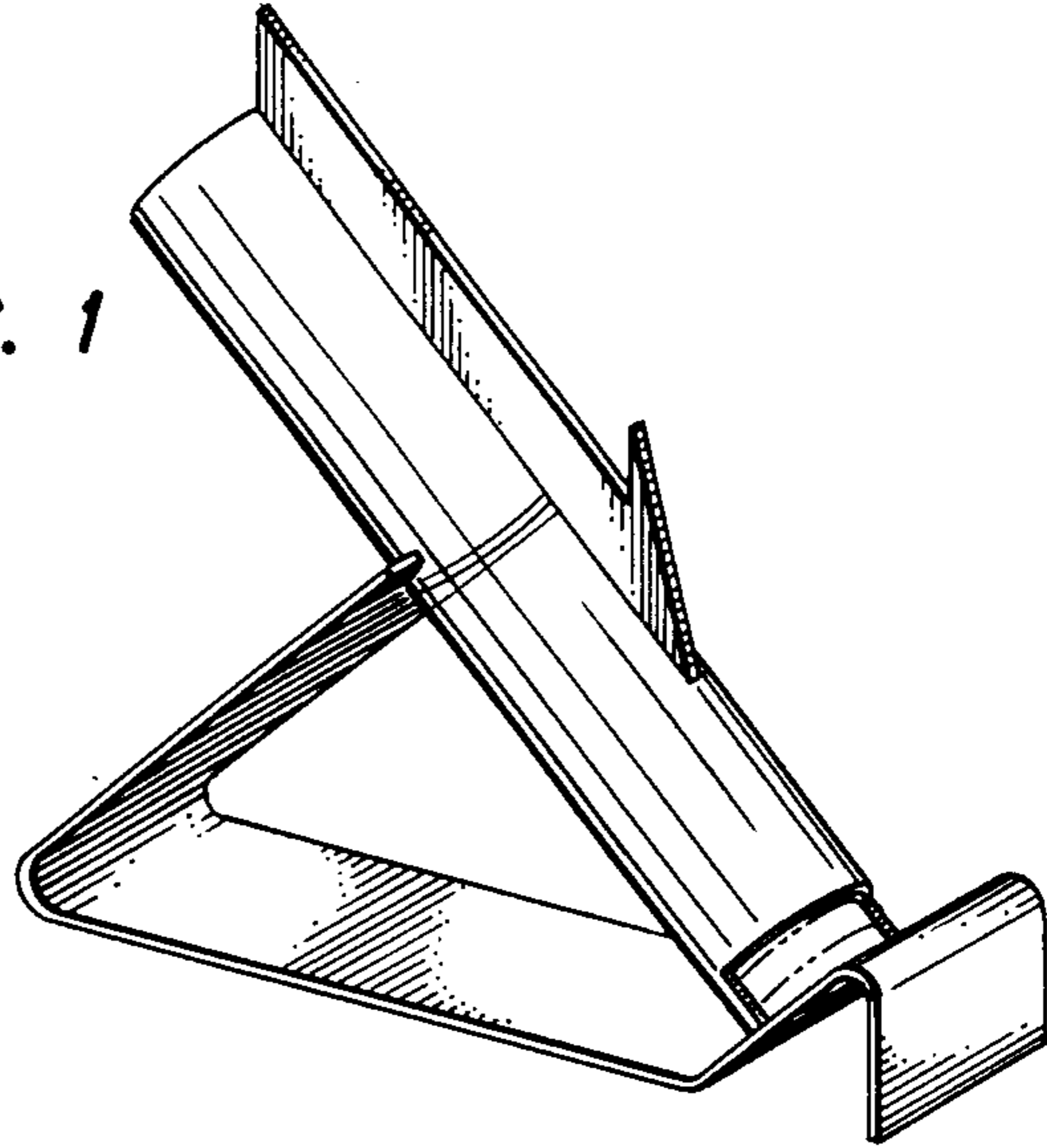


FIG. 2

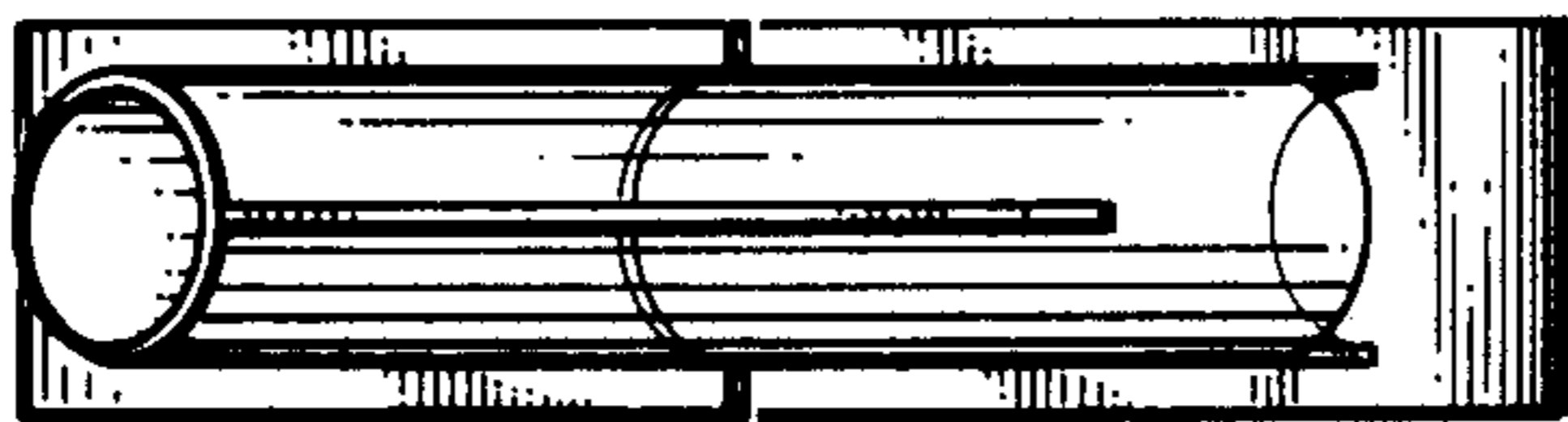
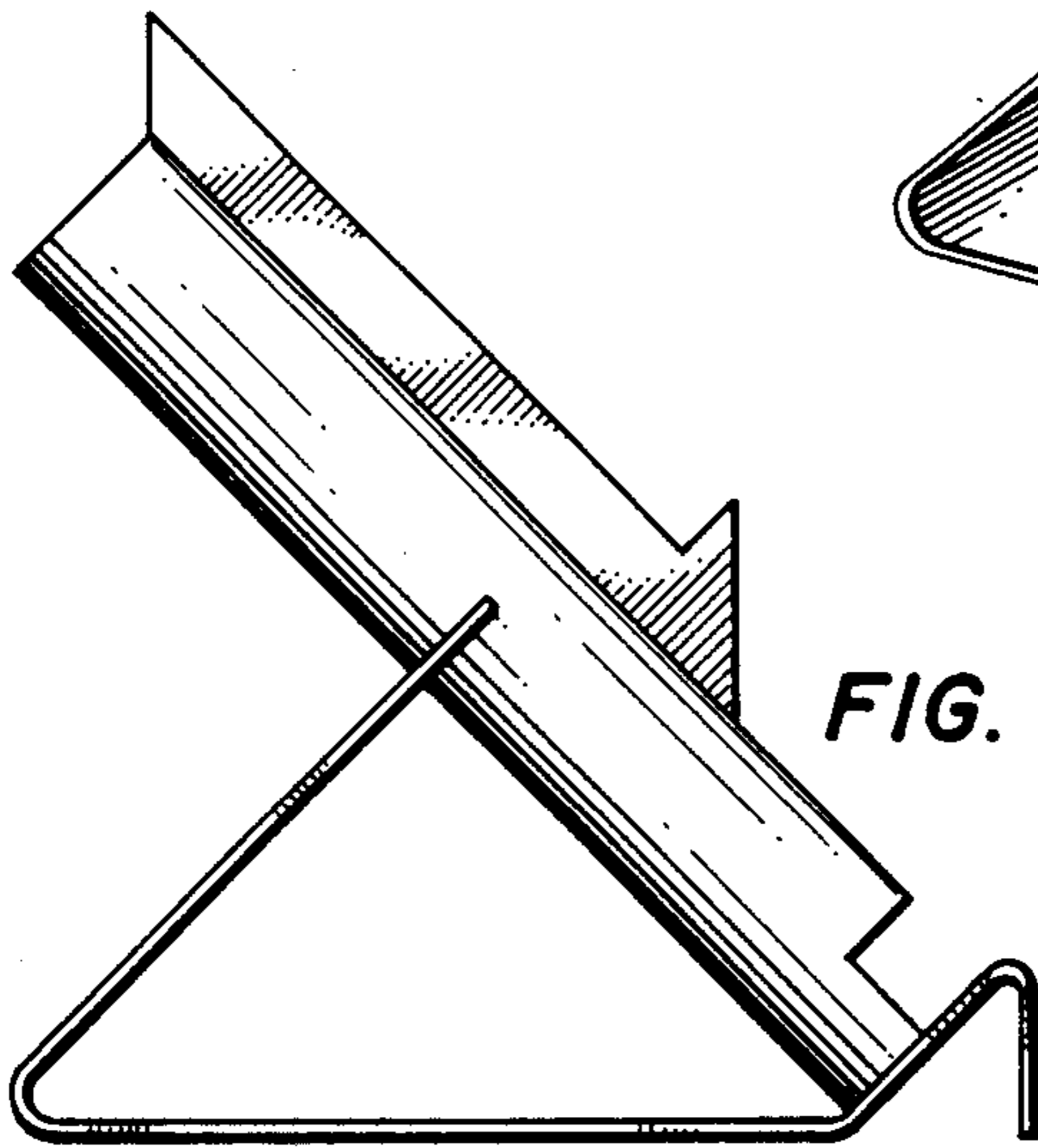


FIG. 5

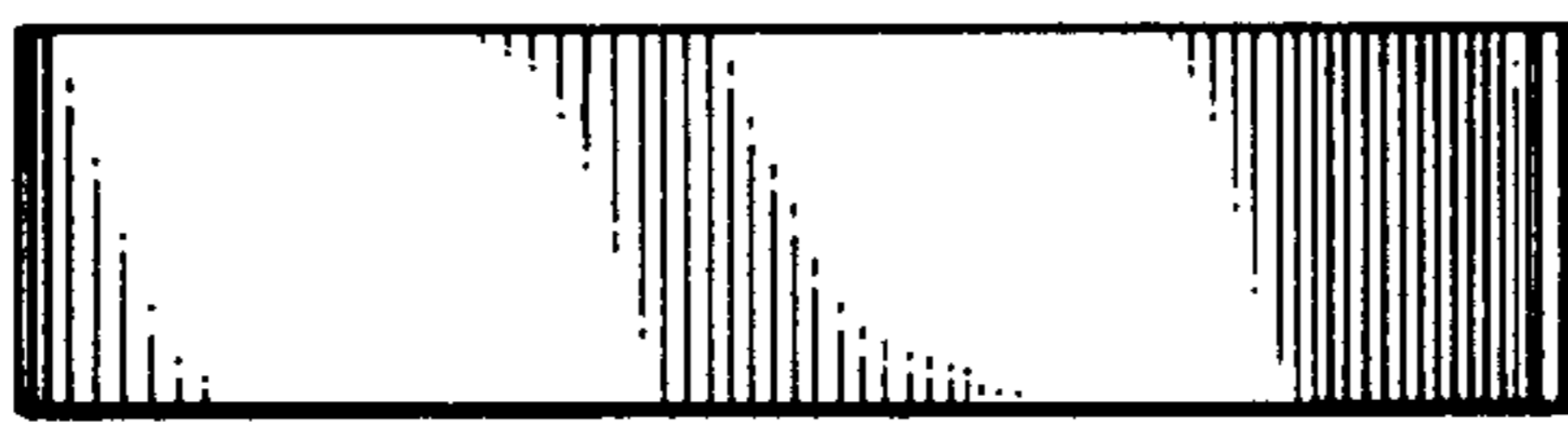


FIG. 6

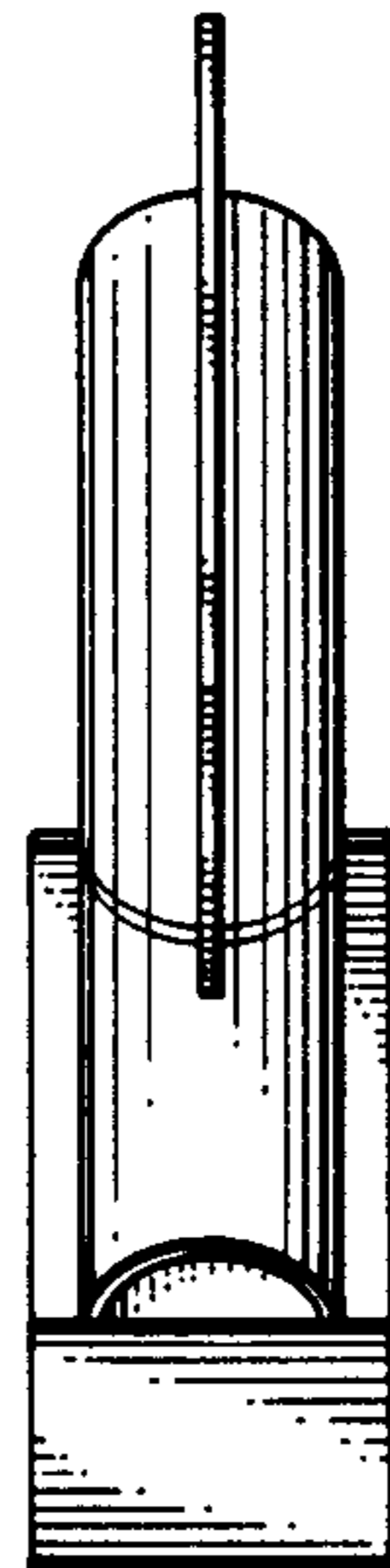


FIG. 3

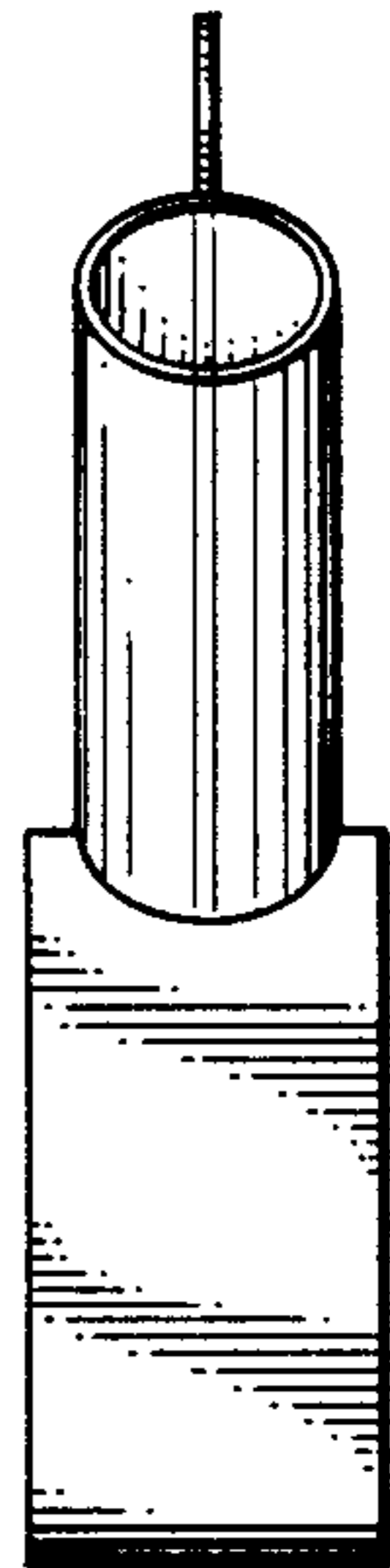


FIG. 4