

[54] COMBINED COLLAPSIBLE CHAIR AND CONTAINER

[75] Inventor: Paolo Tiramani, New York, N.Y.

[73] Assignee: Fun Design, Inc., Duxbury, Mass.

[\*\*] Term: 14 Years

[21] Appl. No.: 125,527

[22] Filed: Nov. 25, 1987

[52] U.S. Cl. .... D6/336

[58] Field of Search ..... D6/333, 374, 368, 356; D3/30.1

[56] References Cited

U.S. PATENT DOCUMENTS

D. 145,074	6/1946	Gleitsman	.....	D6/374
D. 249,601	9/1978	Burridge	.....	D6/333
D. 258,178	2/1981	Bayne	.....	D6/368
D. 276,098	10/1984	Cone	.....	D6/333
D. 276,099	10/1984	Cone	.....	D6/333
D. 287,582	5/1987	Brush, Jr. et al.	.....	D3/30.1
D. 297,287	8/1988	Zopez	.....	D6/368

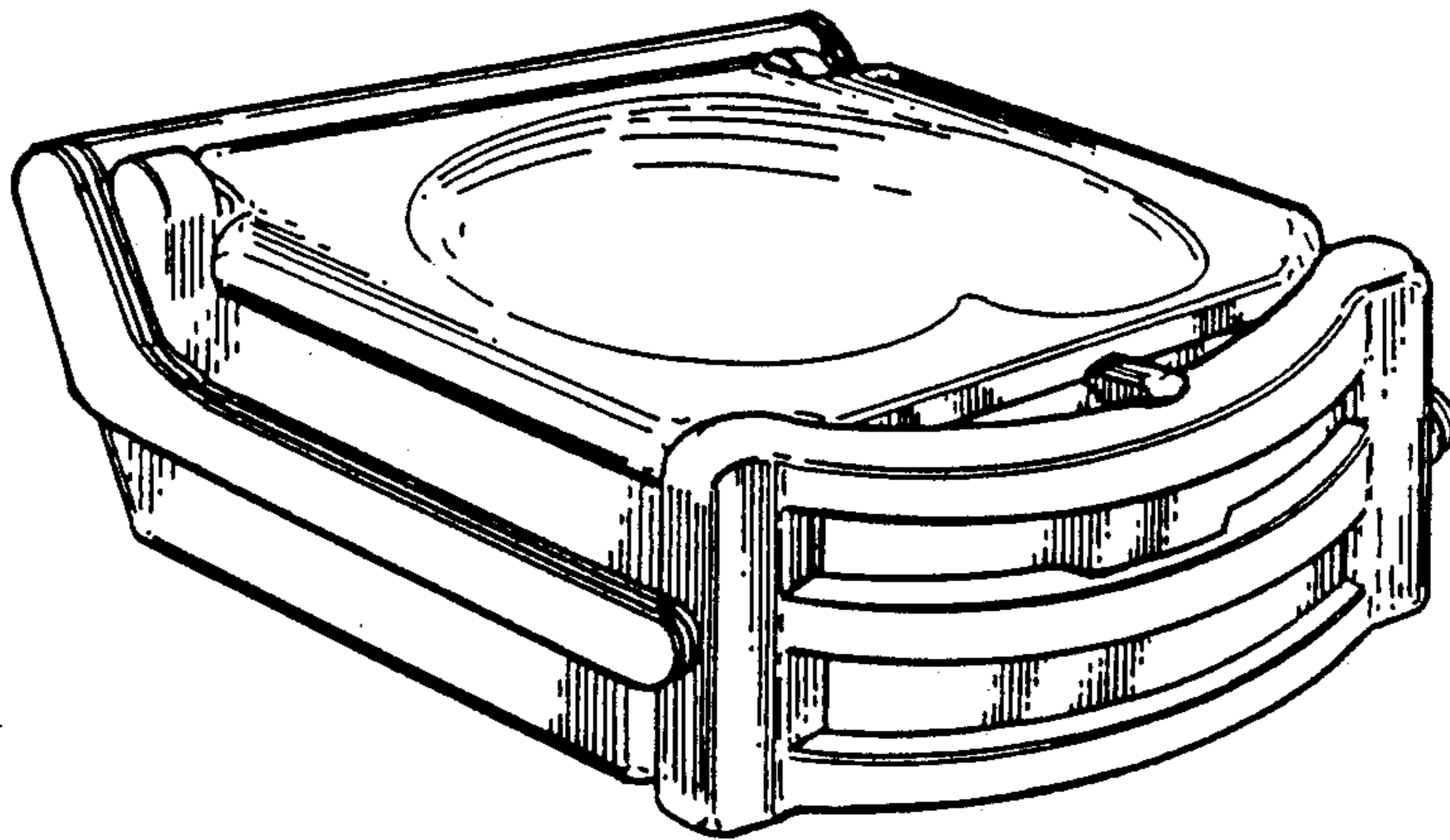
Primary Examiner—Bruce W. Dunkins  
Assistant Examiner—J. Musgrove  
Attorney, Agent, or Firm—Panitch Schwarze Jacobs & Nadel

[57] CLAIM

The ornamental design for a combined collapsible chair and container, as shown and described.

DESCRIPTION

FIG. 1 is a perspective view of a combined collapsible chair and container showing my new design; FIG. 2 is a front elevational view thereof; FIG. 3 is a rear elevational view thereof; FIG. 4 is a top plan view thereof; FIG. 5 is a bottom plan view thereof; FIG. 6 is a right side elevational view, the opposite side being a mirror image thereof; FIG. 7 is a perspective view thereof, with the container cover in a raised condition; and FIG. 8 is a perspective view thereof, with the seat back in the operational condition.



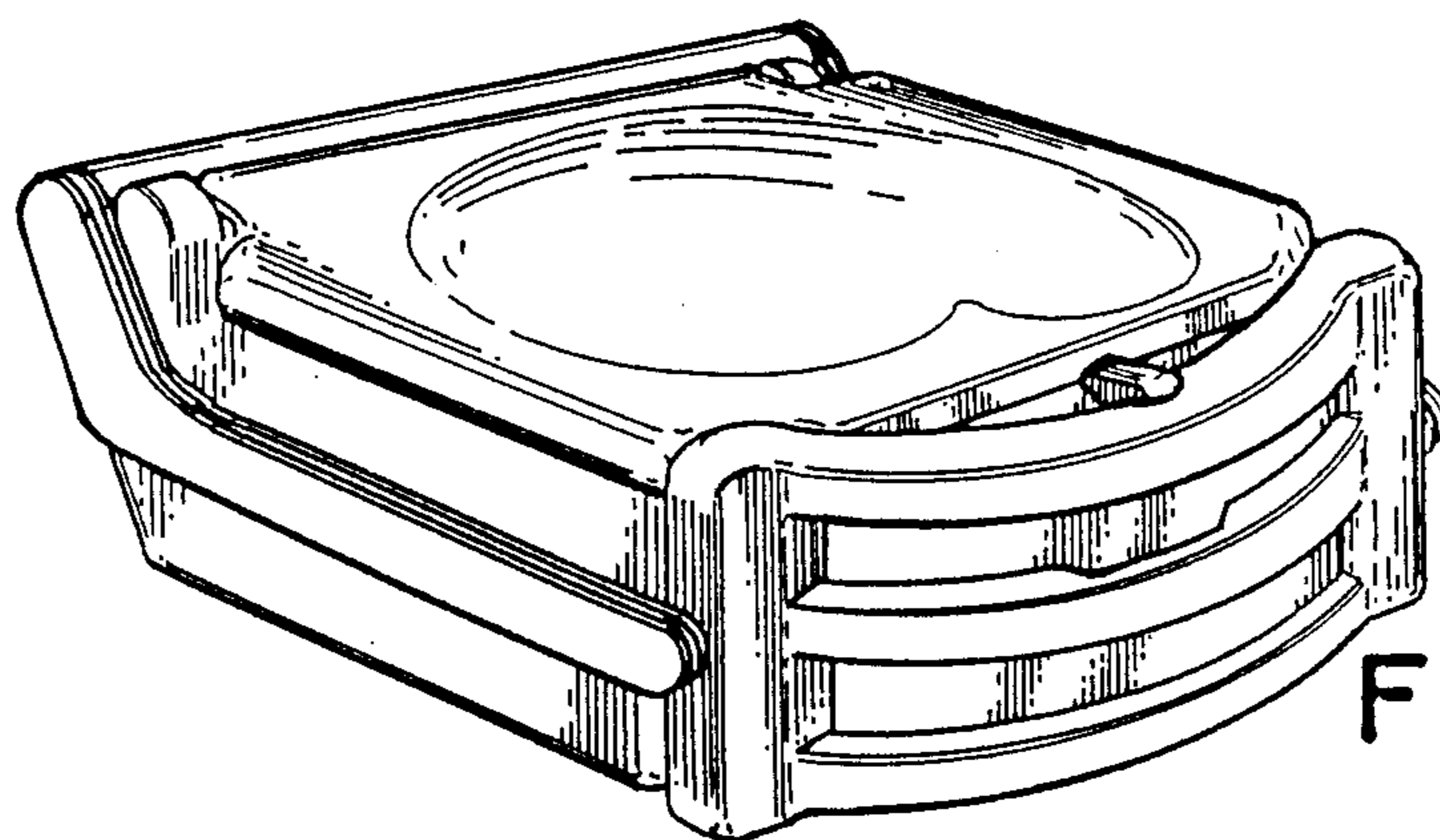


FIG. 1

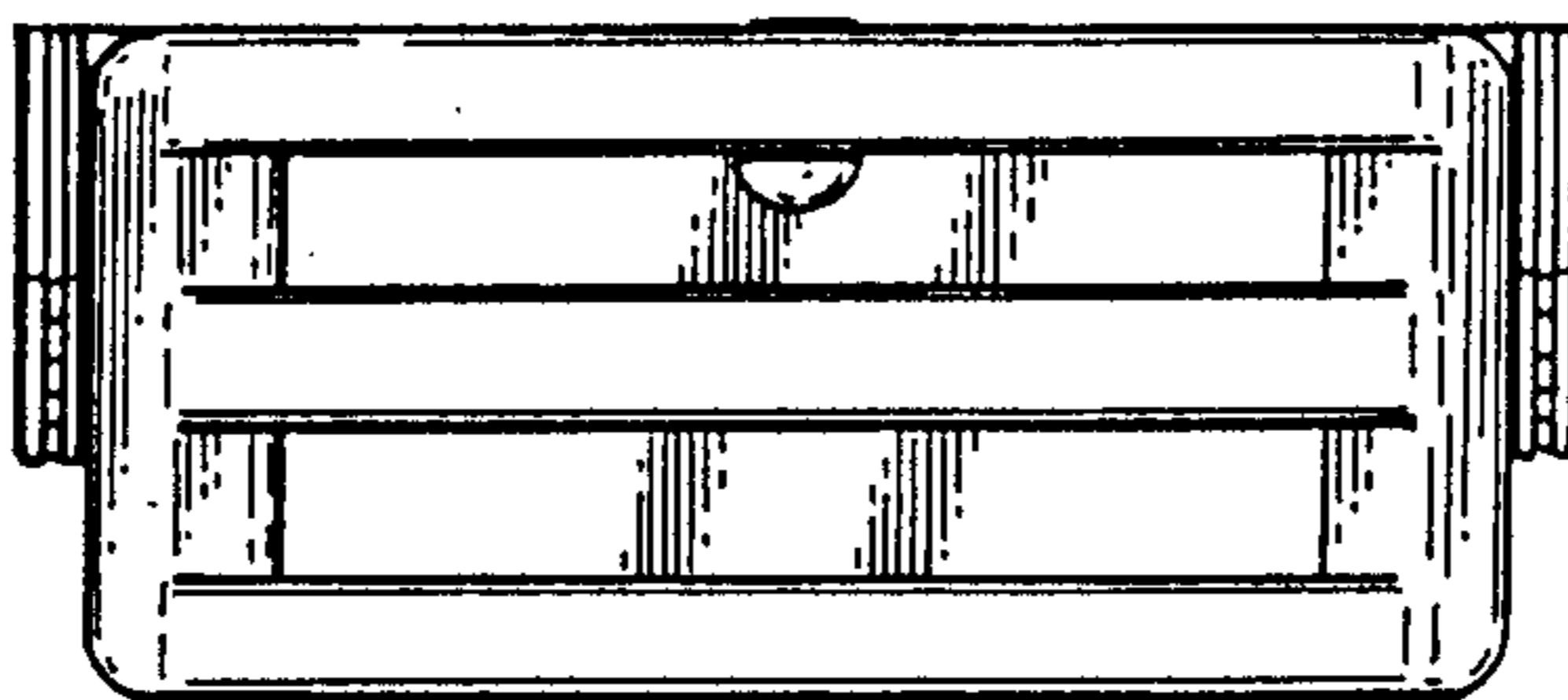


FIG. 2



FIG. 3

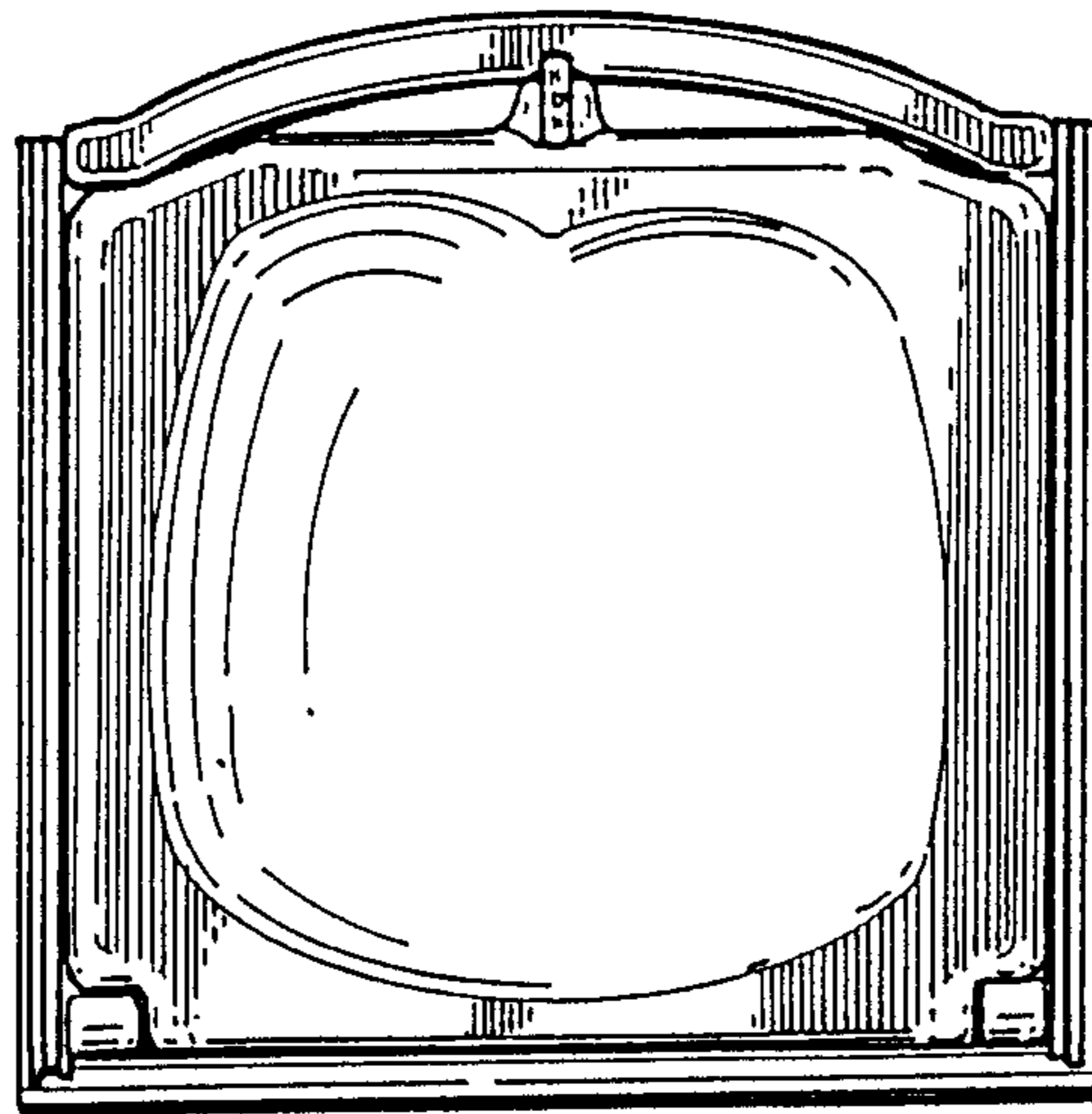


FIG. 4

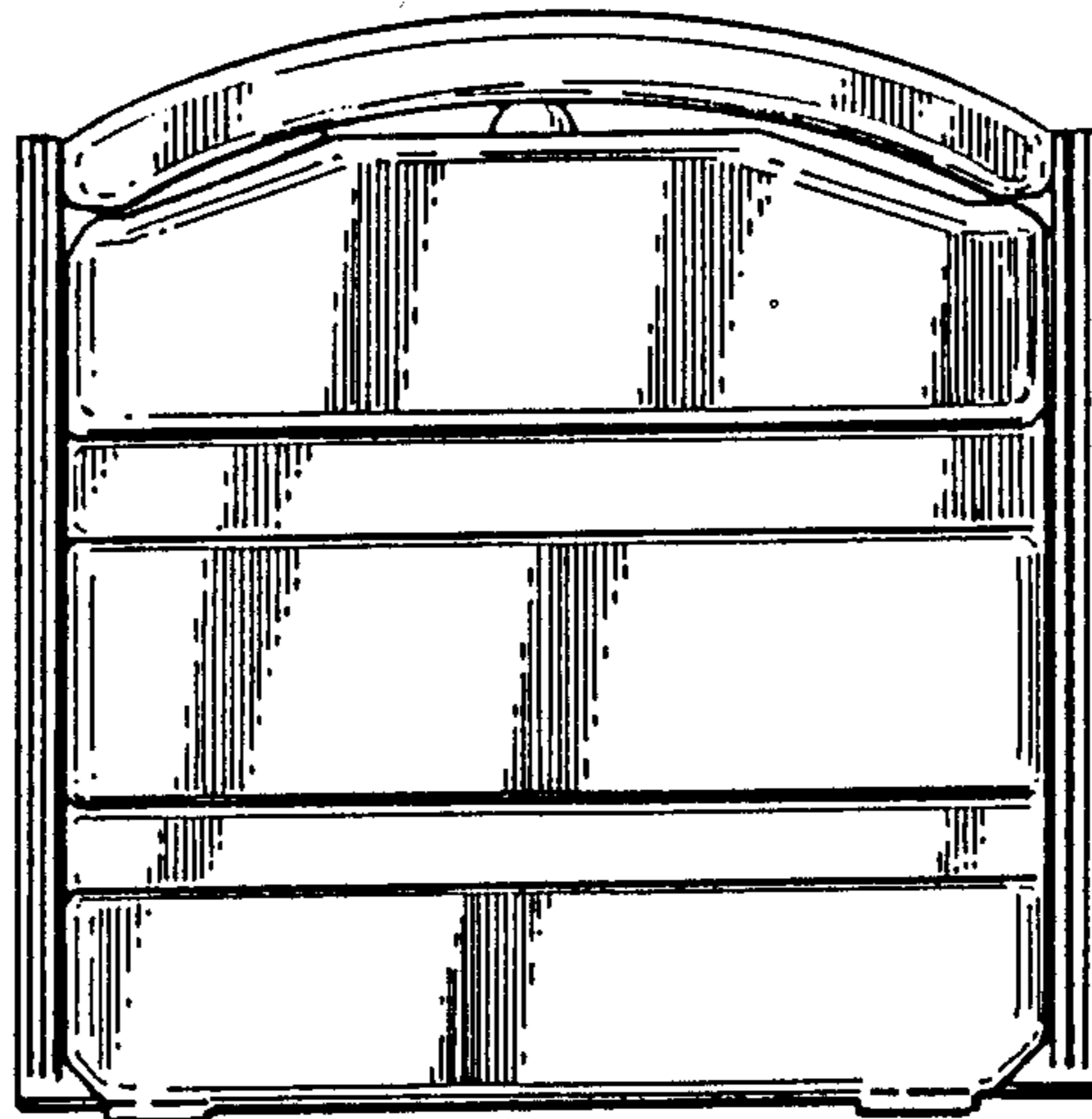


FIG. 5

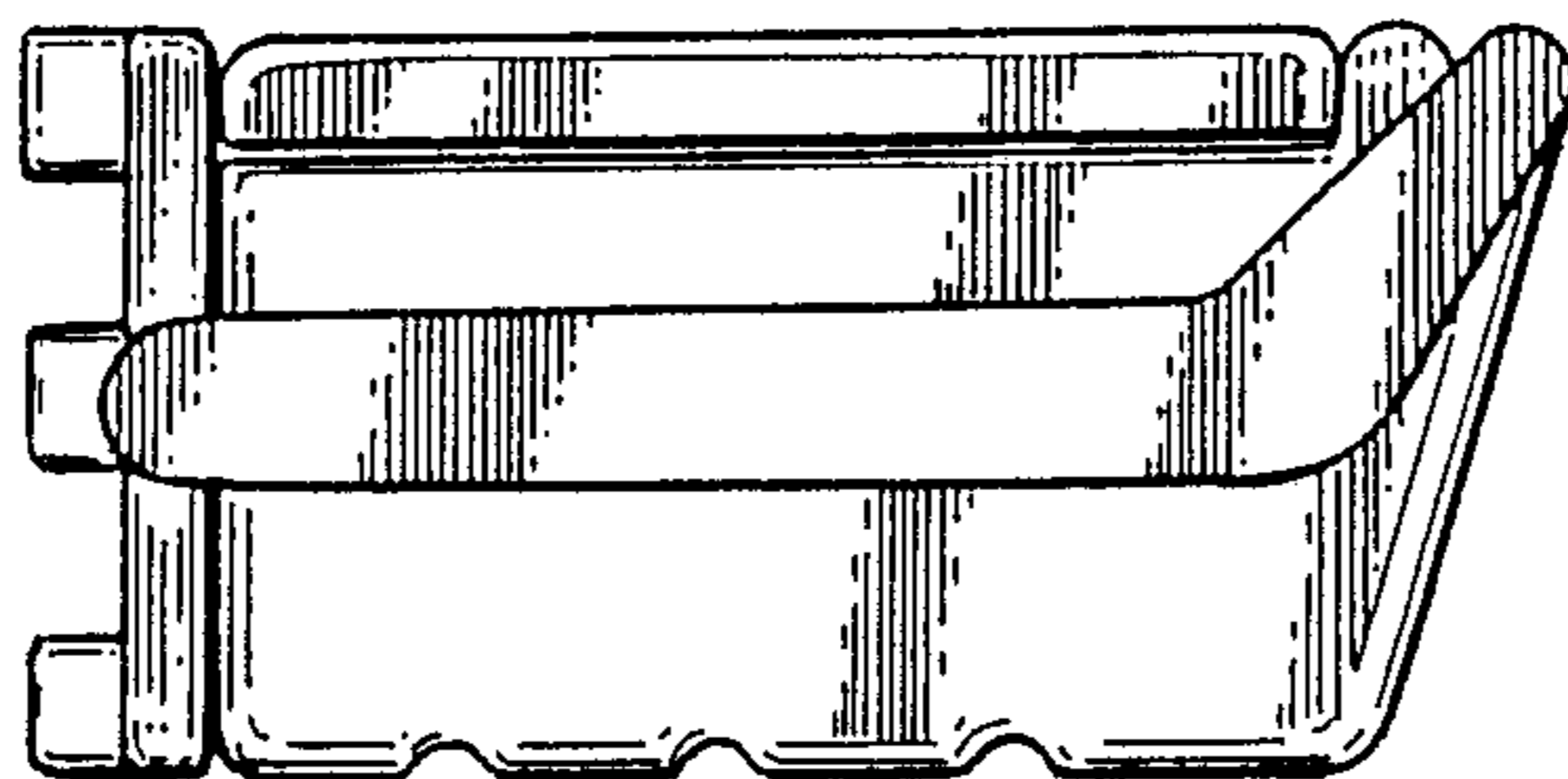


FIG. 6

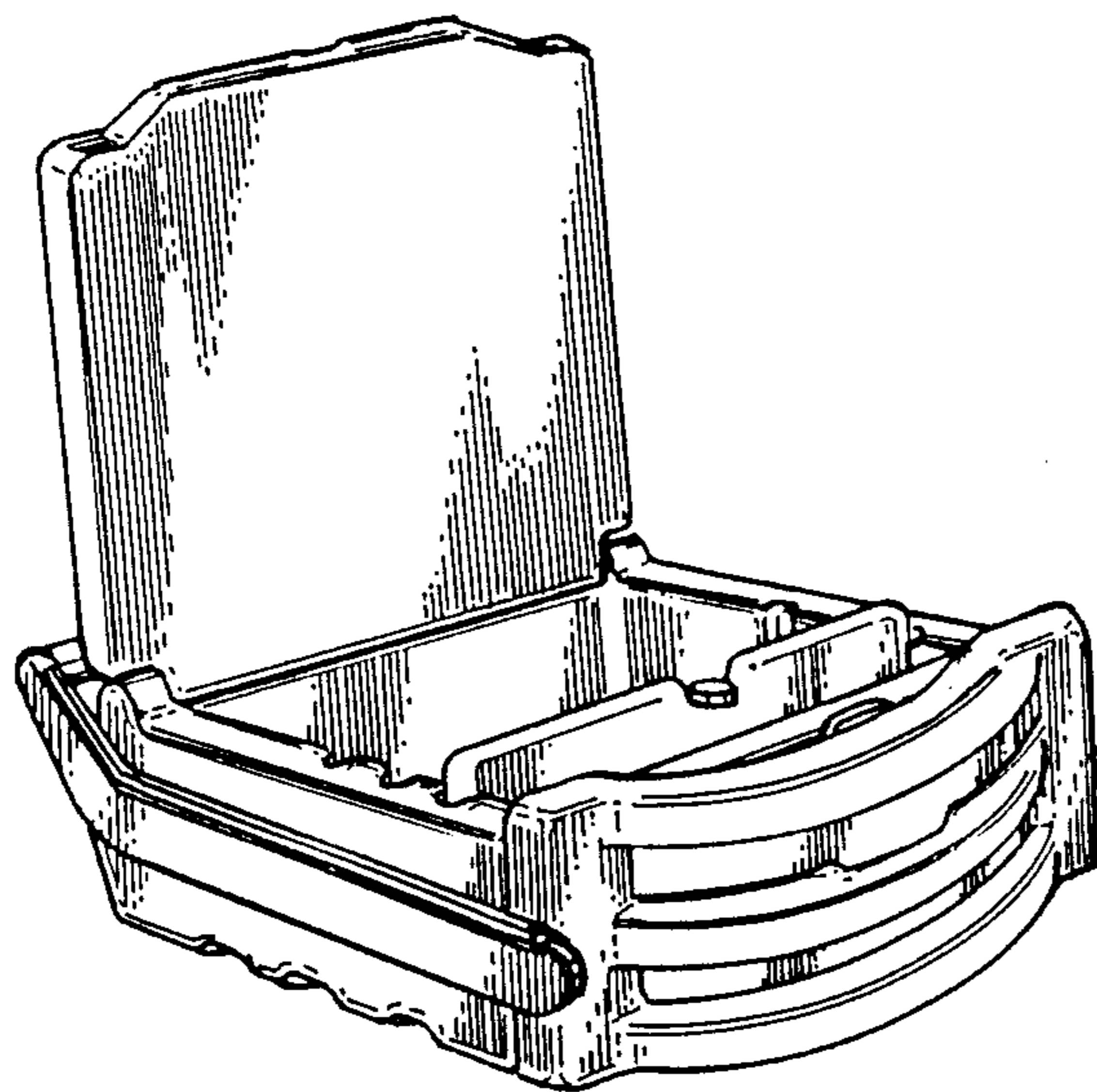


FIG. 7

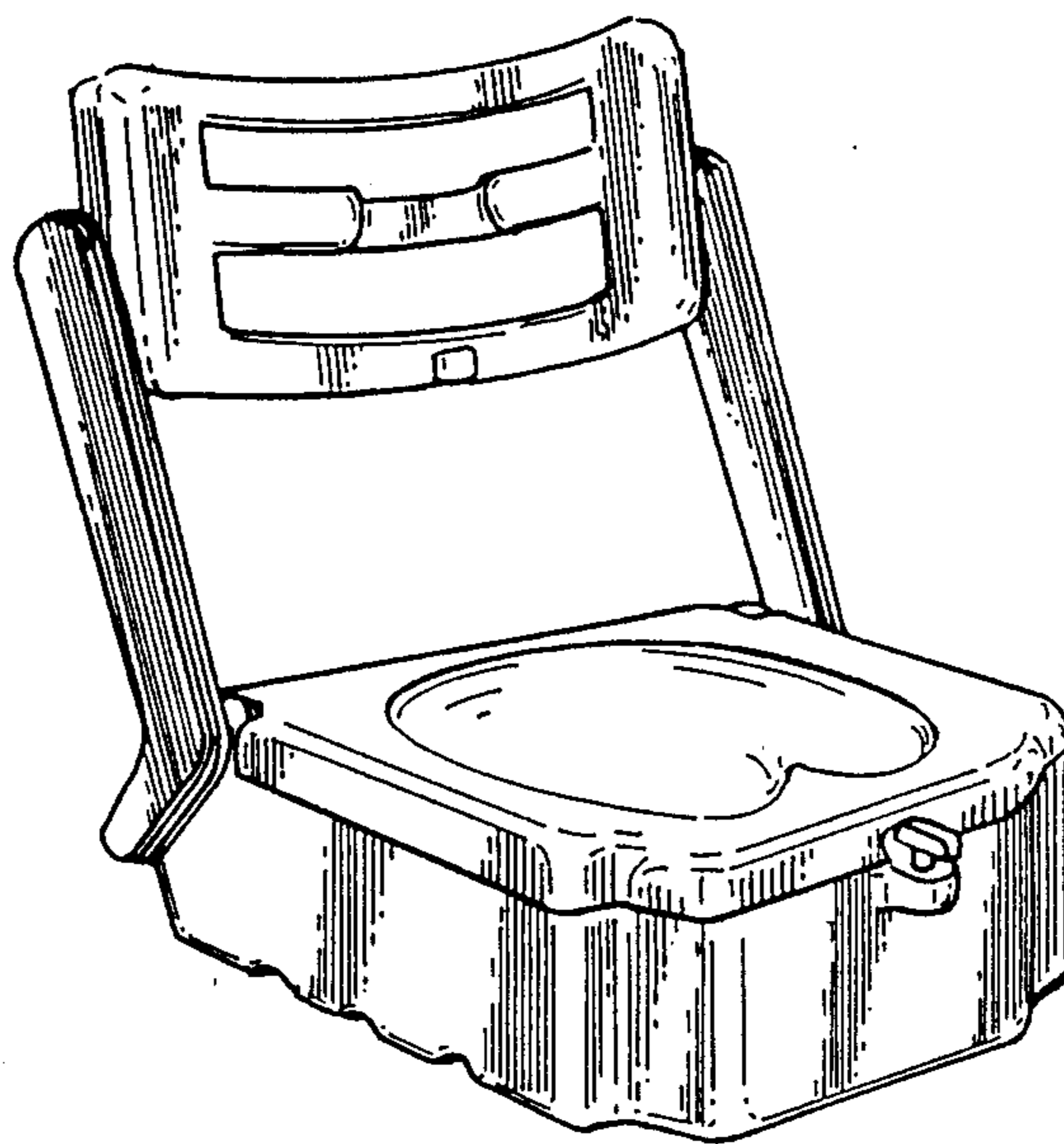


FIG. 8