

[54] RETRACTIBLE SUPPORT BAR

[75] Inventor: Gregory W. Kapp, Coloma, Mich.

[73] Assignee: Innocorp Manufacturing, Inc., Coloma, Mich.

[\*\*] Term: 14 Years

[21] Appl. No.: 184,157

[22] Filed: Apr. 21, 1988

[52] U.S. Cl. .... D6/324; D6/315

[58] Field of Search ..... D6/315, 320, 324, 327; 211/1.3, 99; 224/42.45 A, 42.46 A

[56] References Cited

U.S. PATENT DOCUMENTS

D. 85,287	10/1931	Horstman	.....	D6/320
D. 248,908	8/1978	Robinson	.....	D6/320
D. 259,228	5/1981	Fabian	.....	D6/324
D. 277,913	3/1985	Reisman	.....	D6/324

Primary Examiner—B. J. Bullock

Attorney, Agent, or Firm—Flynn, Thiel, Boutell & Tanis

[57] CLAIM

The ornamental design for a retractible support bar, as shown and described.

DESCRIPTION

FIG. 1 is a left, front perspective view of a retractible support bar showing my new design, in its retracted position;

FIG. 2 is a left, front perspective view thereof, in its extended position;

FIG. 3 is a front view thereof;

FIG. 4 is a left end view thereof, the right end view being a mirror image thereof;

FIG. 5 is a top view thereof;

FIG. 6 is a bottom view thereof;

FIG. 7 is a rear view thereof;

FIG. 8 is a top view of FIG. 2;

FIG. 9 is a left end view of FIG. 2;

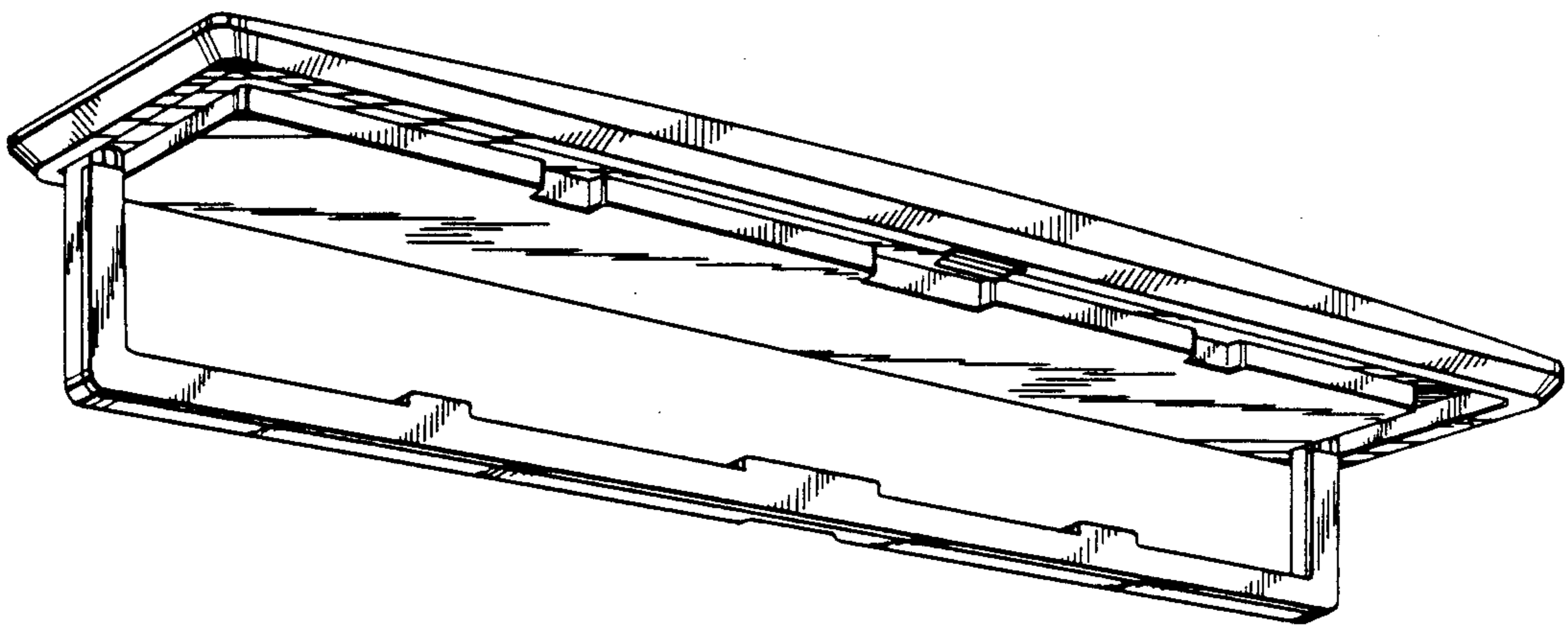
FIG. 10 is a front view of a second embodiment of the design of FIG. 1, the only differences being the length and configuration of the bar;

FIG. 11 is a bottom plan view of FIG. 10;

FIG. 12 is a top view of FIG. 10;

FIG. 13 is a rear view of FIG. 10;

FIG. 14 is a left end view of FIG. 10 in its extended position.



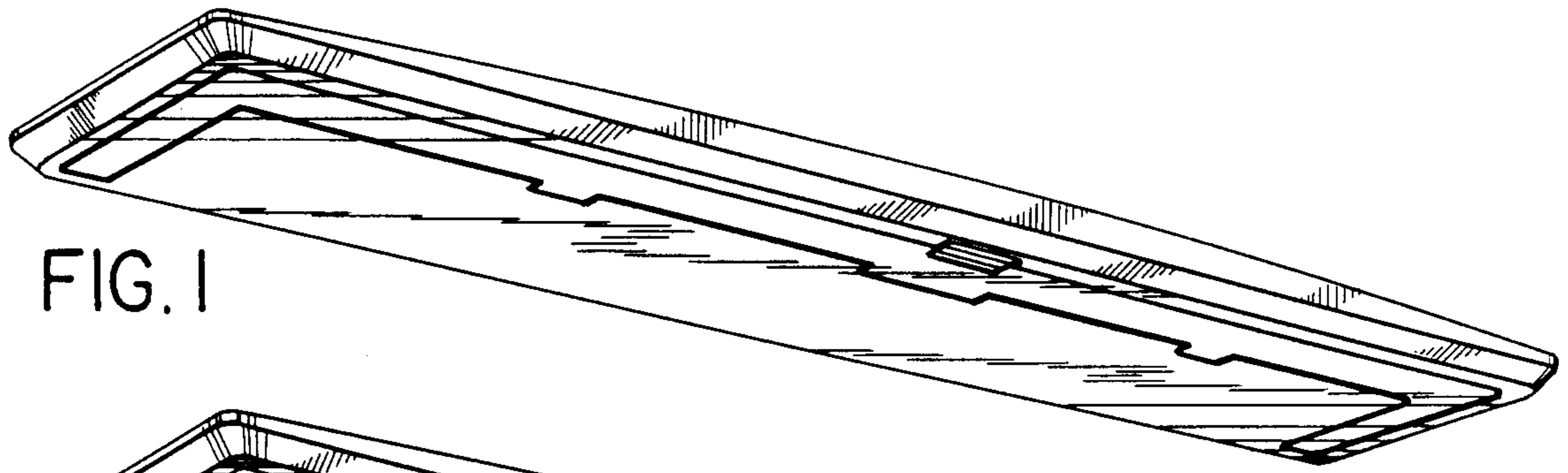


FIG. 1

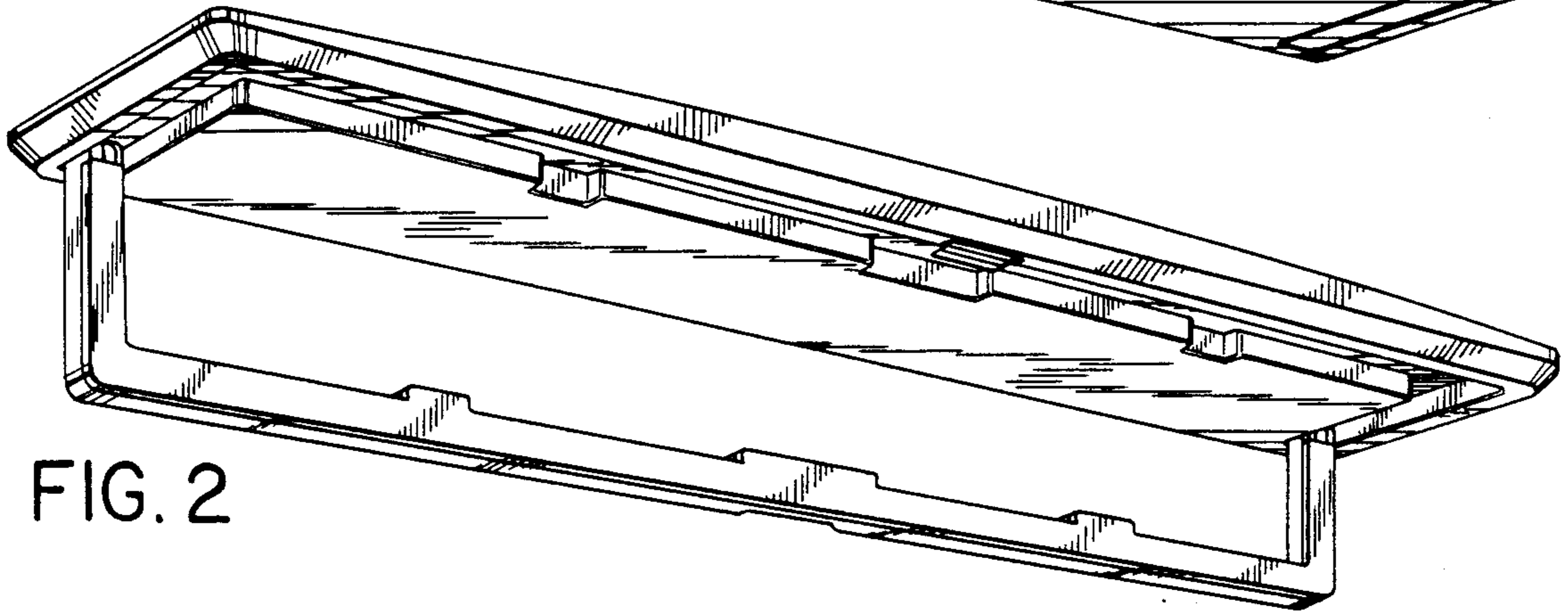


FIG. 2



FIG. 4

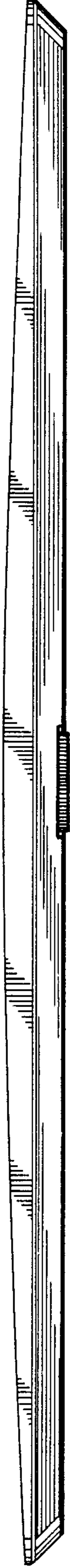


FIG. 6



FIG. 5

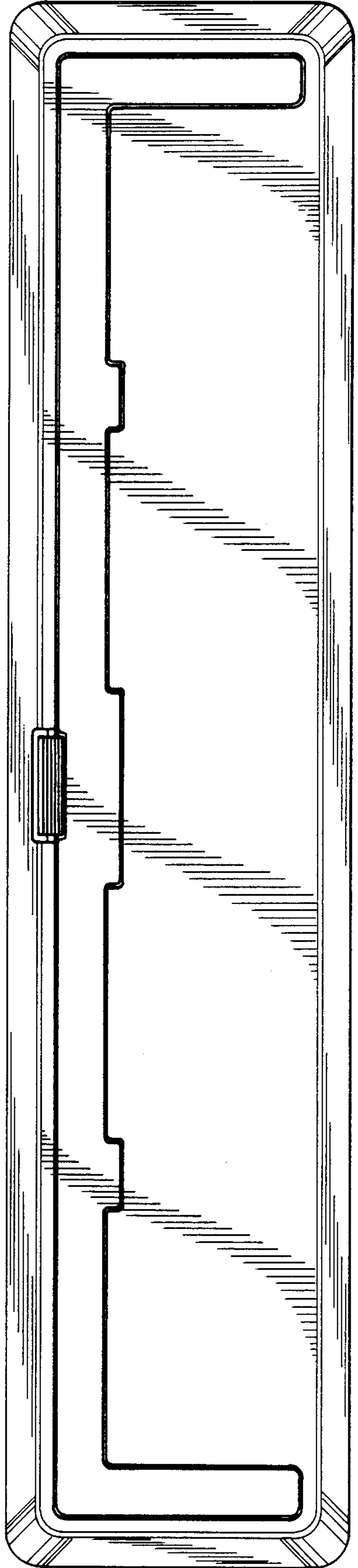


FIG. 3

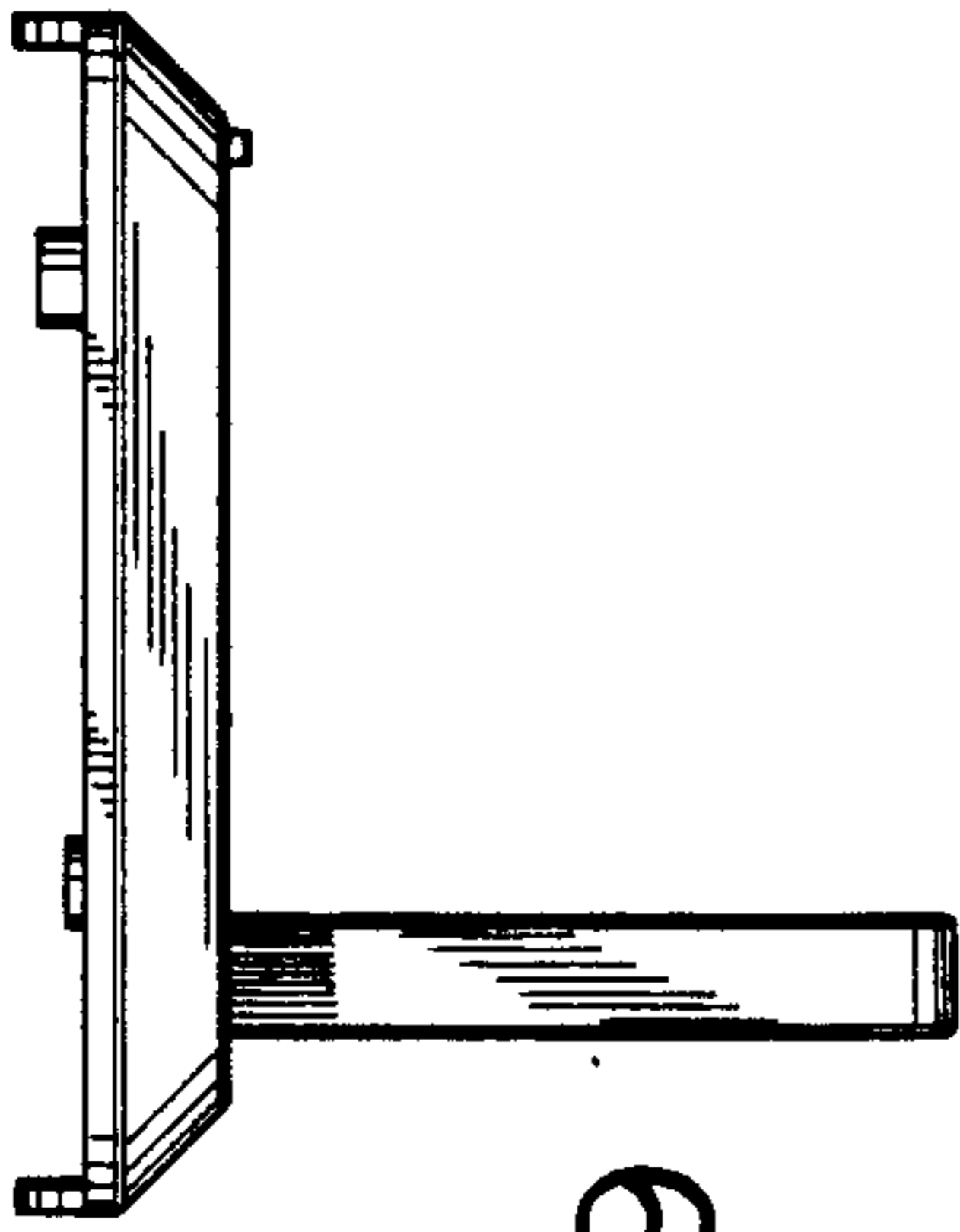


FIG. 9

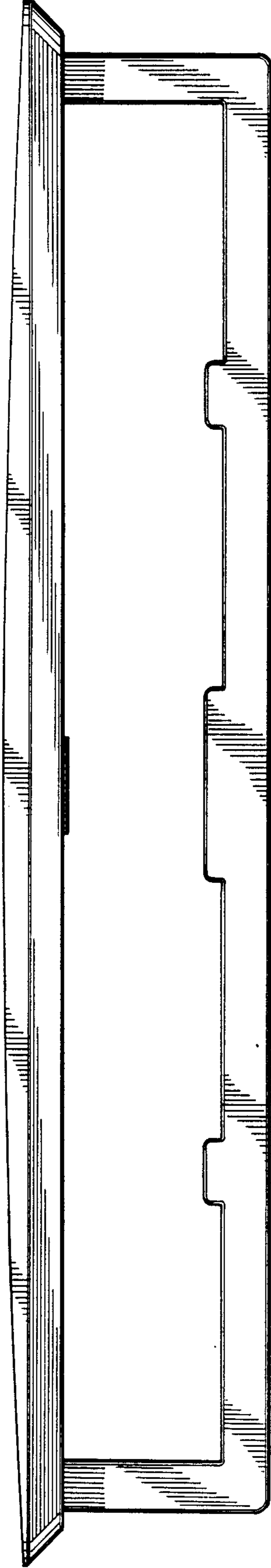


FIG. 8

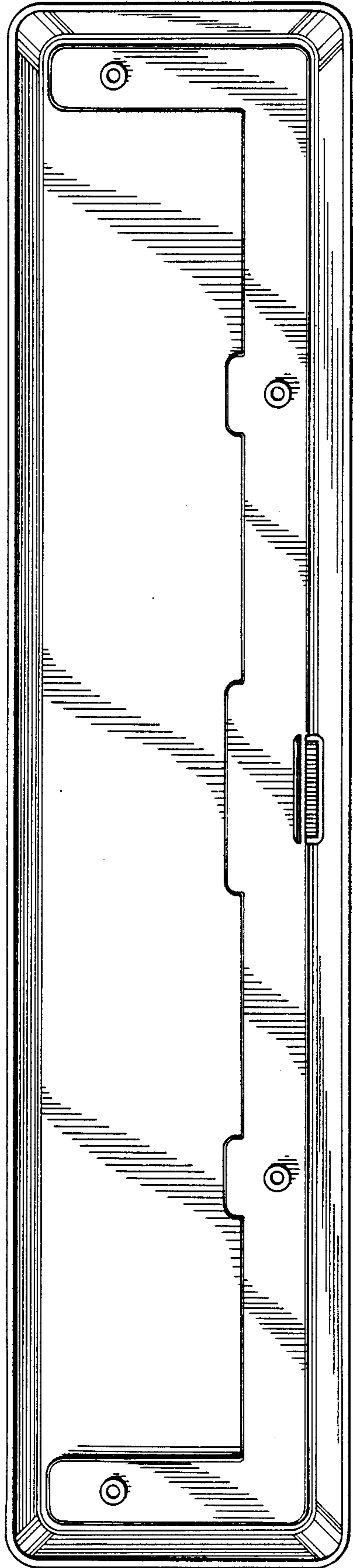


FIG. 7



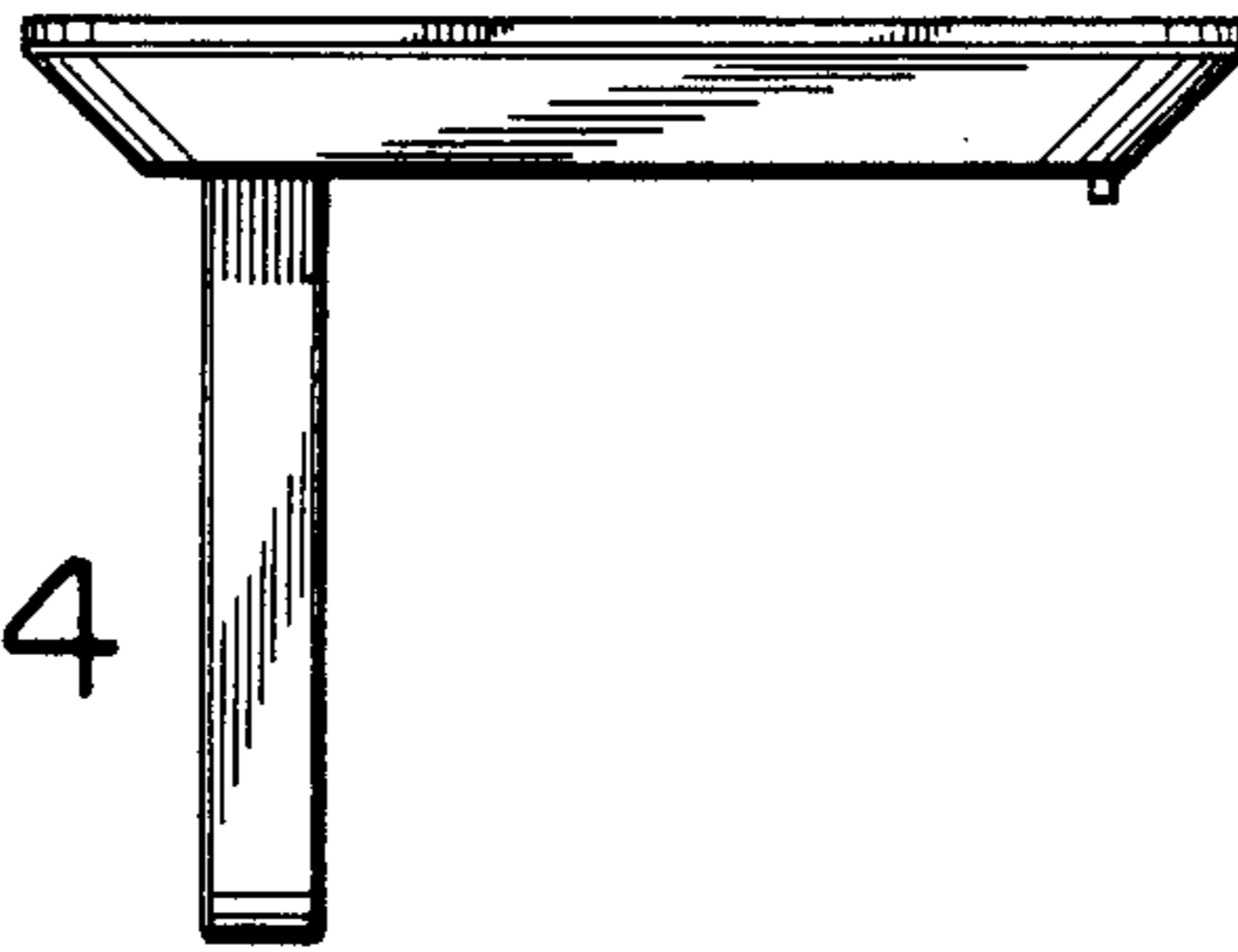


FIG. 14

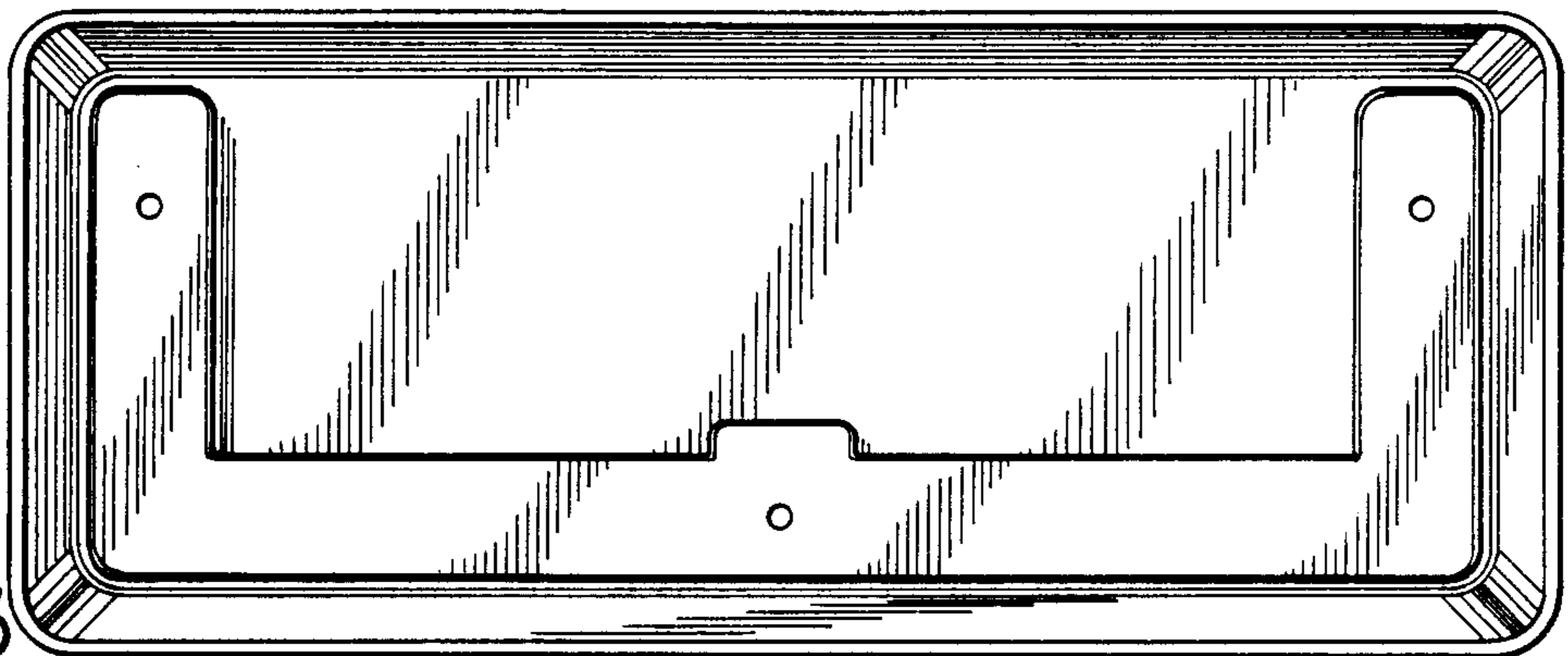


FIG. 13



FIG. 12

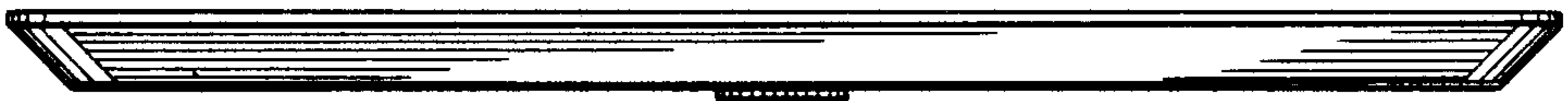


FIG. 11

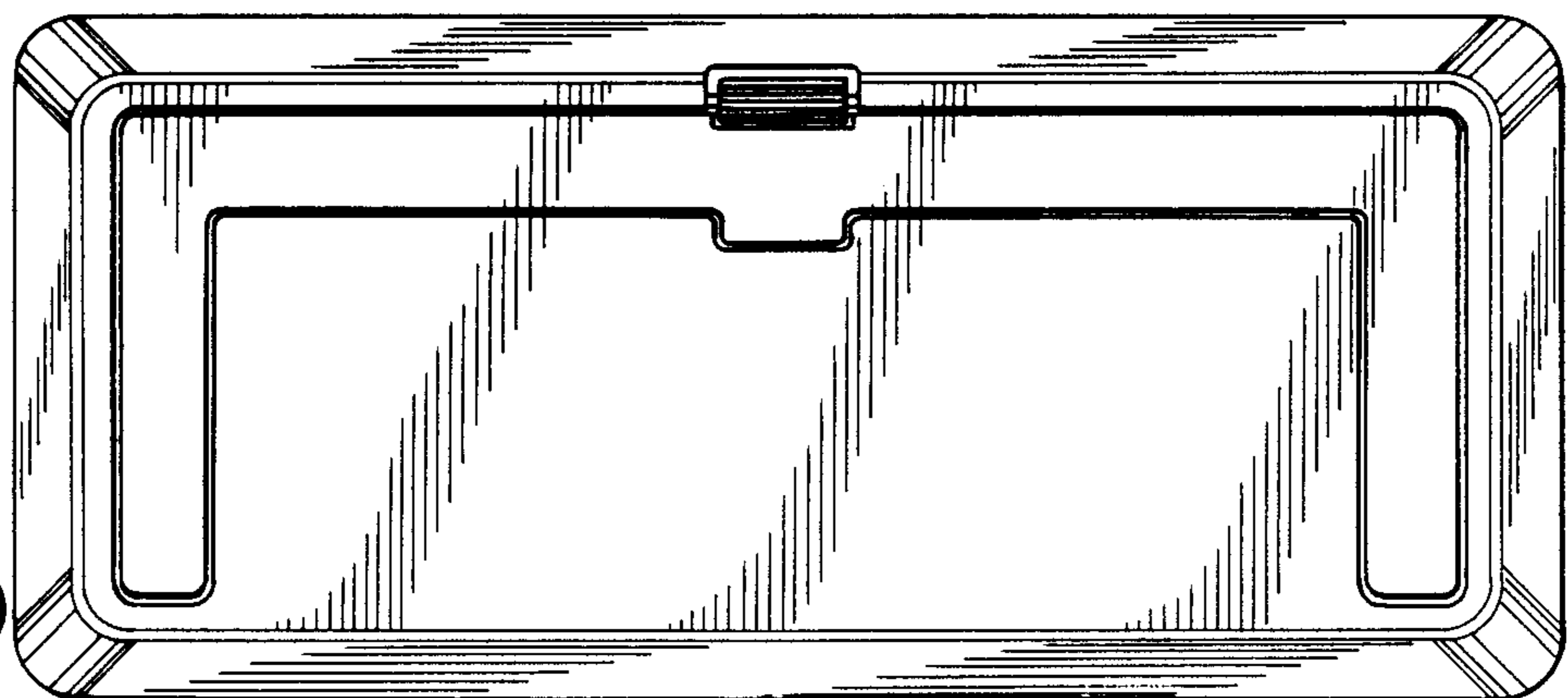


FIG. 10