

[54] ELECTRIC SCRUBBING BRUSH

3,024,883 3/1962 Eriksson 15/28 X

[76] Inventor: Robert M. Machuron, 71, rue Louis Desantels, 71230 Saint Vallier, France

FOREIGN PATENT DOCUMENTS

2025759 1/1980 United Kingdom 15/28

[**] Term: 14 Years

Primary Examiner—Wallace R. Burke
Assistant Examiner—Lavone D. Tabor
Attorney, Agent, or Firm—Laubscher Presta & Laubscher

[21] Appl. No.: 108,570

[22] Filed: Oct. 15, 1987

[30] Foreign Application Priority Data

Apr. 17, 1987 [FR] France 87 2310

[52] U.S. Cl. D4/102

[58] Field of Search D4/100, 102, 127;
D32/14.1, 17; 15/23-24, 28-29, 97 R, 97 A,
159 R

[57] CLAIM

The ornamental design for an electric scrubbing brush, as shown.

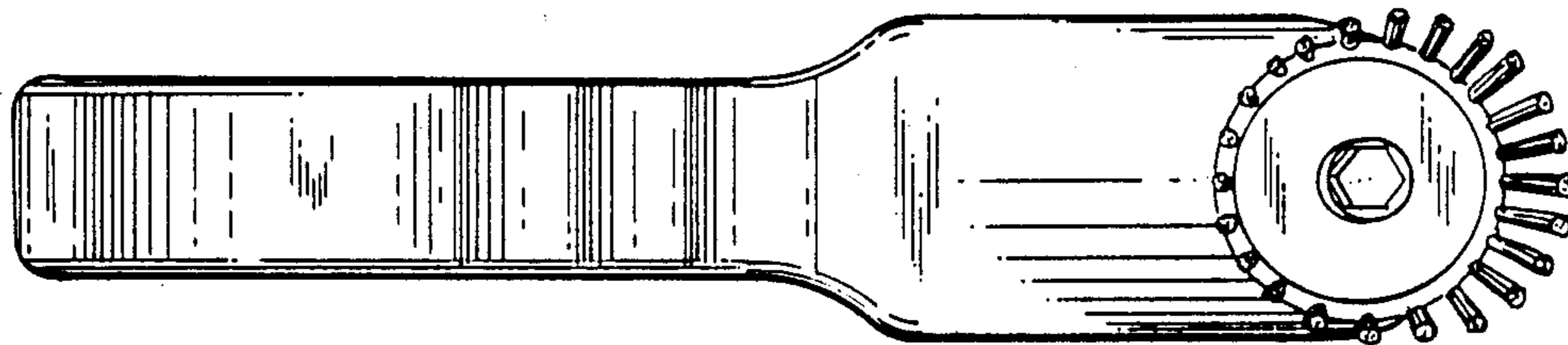
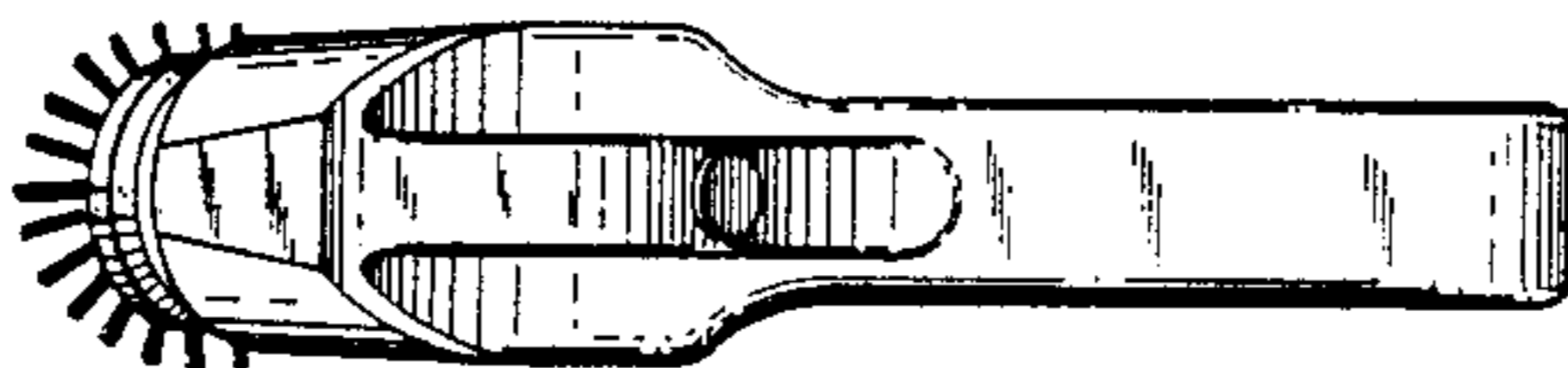
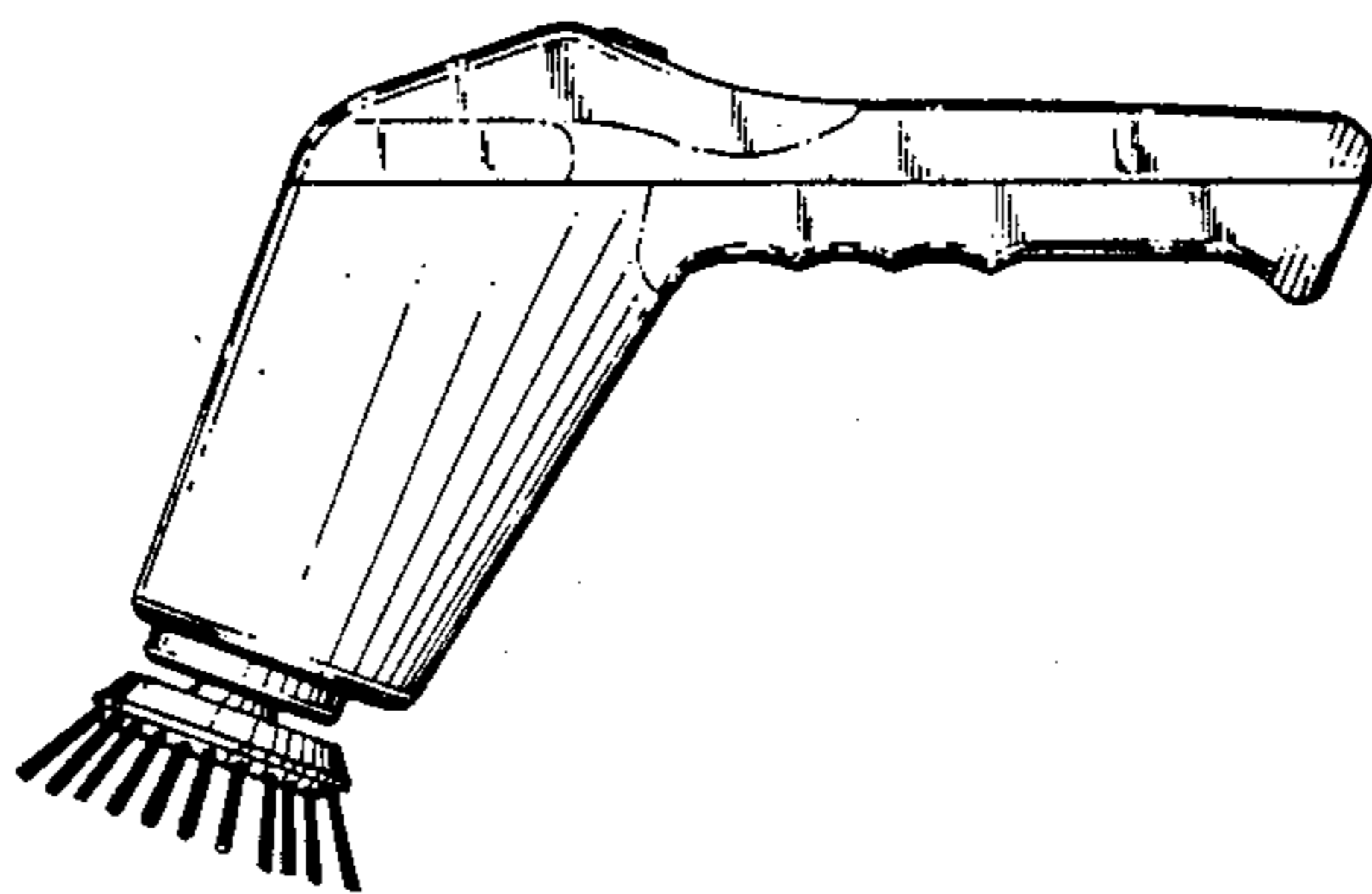
[56] References Cited

U.S. PATENT DOCUMENTS

D. 290,550 6/1987 Tsuji et al. D4/102
2,934,775 5/1960 Bergstrom 15/28 X

DESCRIPTION

FIG. 1 is a left side elevational view of an electric scrubbing brush showing my new design; FIG. 2 is a top plan view thereof; FIG. 3 is a right side elevational view thereof; FIG. 4 is a bottom plan view thereof; FIG. 5 is a front elevational view thereof; and FIG. 6 is a rear elevational view thereof.



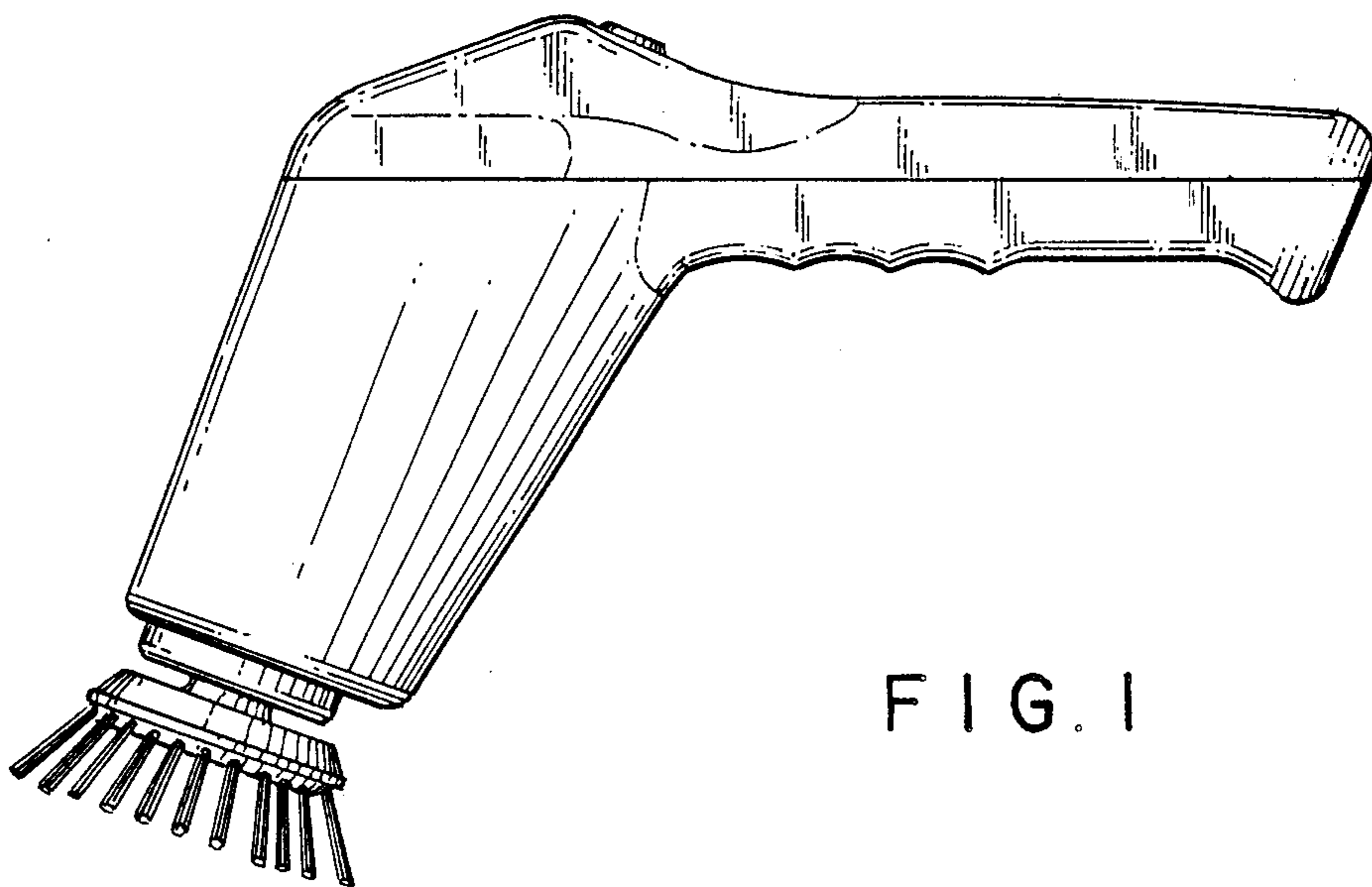


FIG. 1

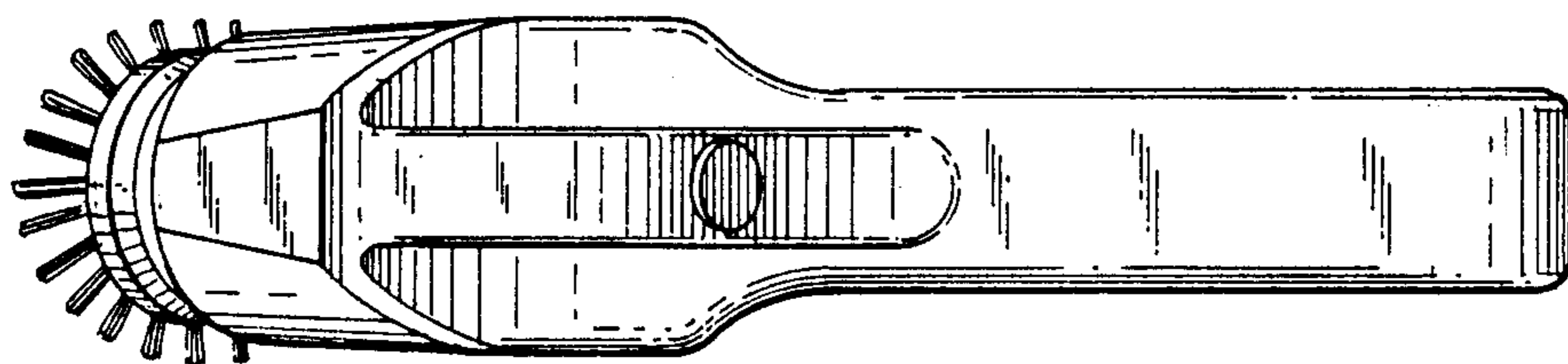


FIG. 2

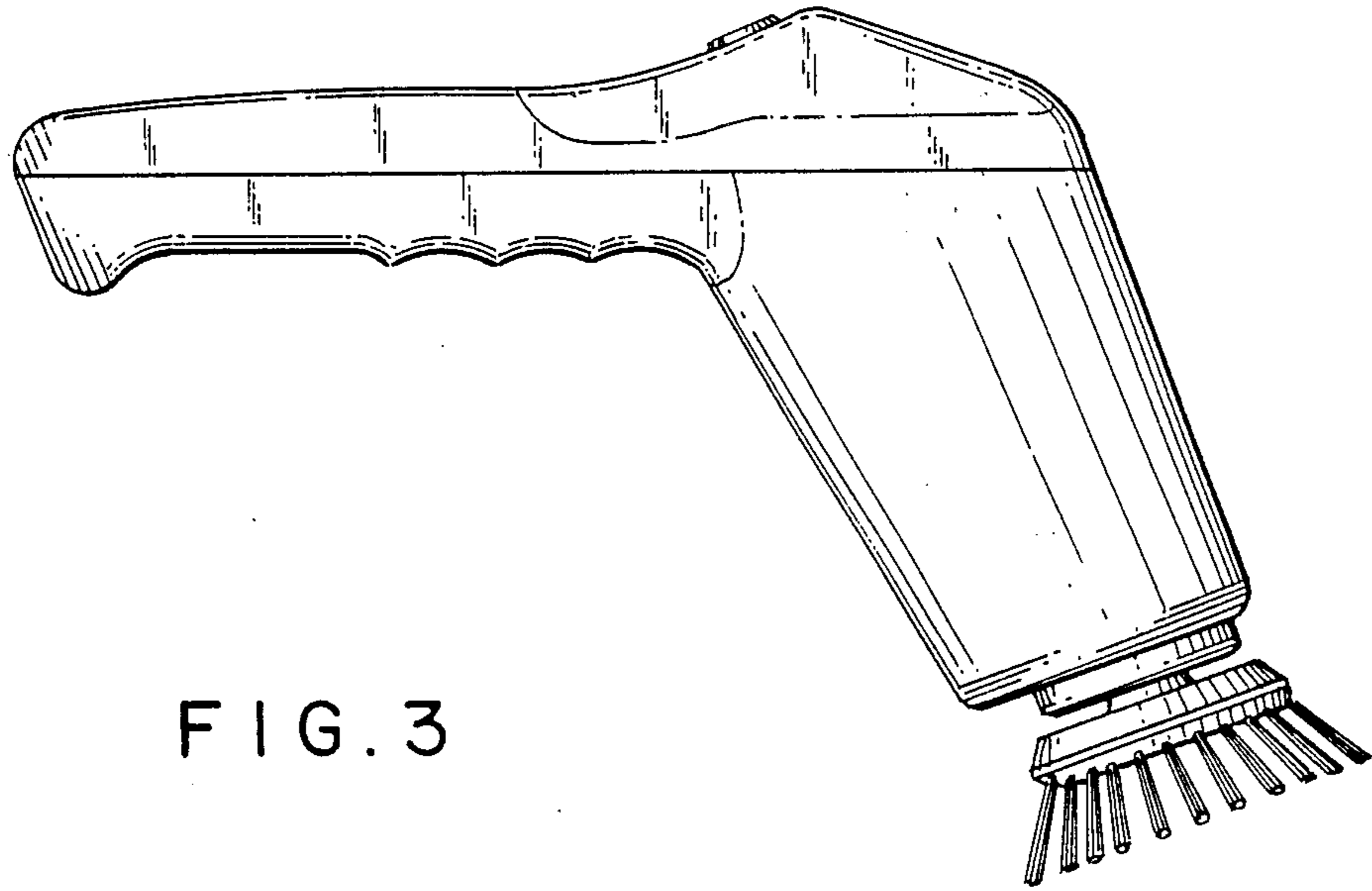


FIG. 3

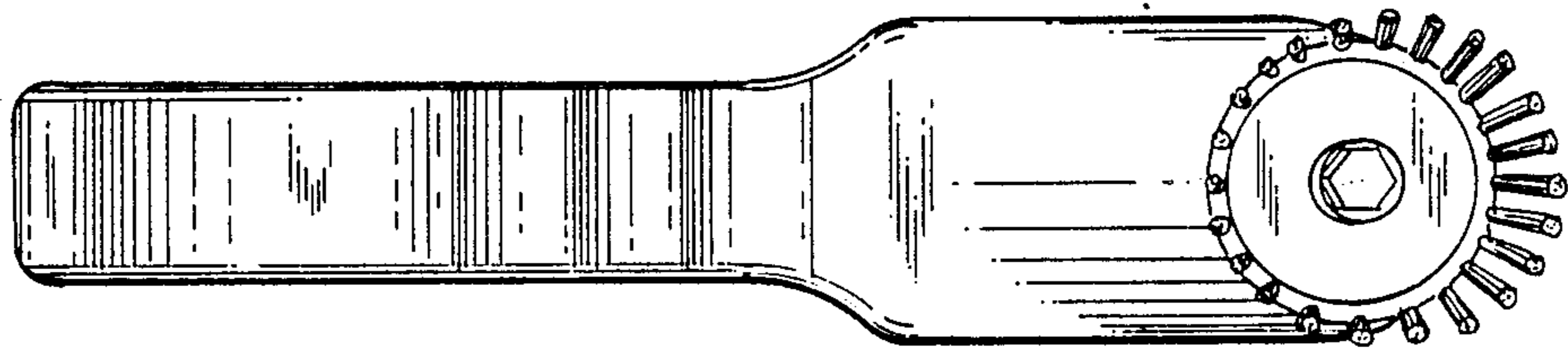


FIG. 4

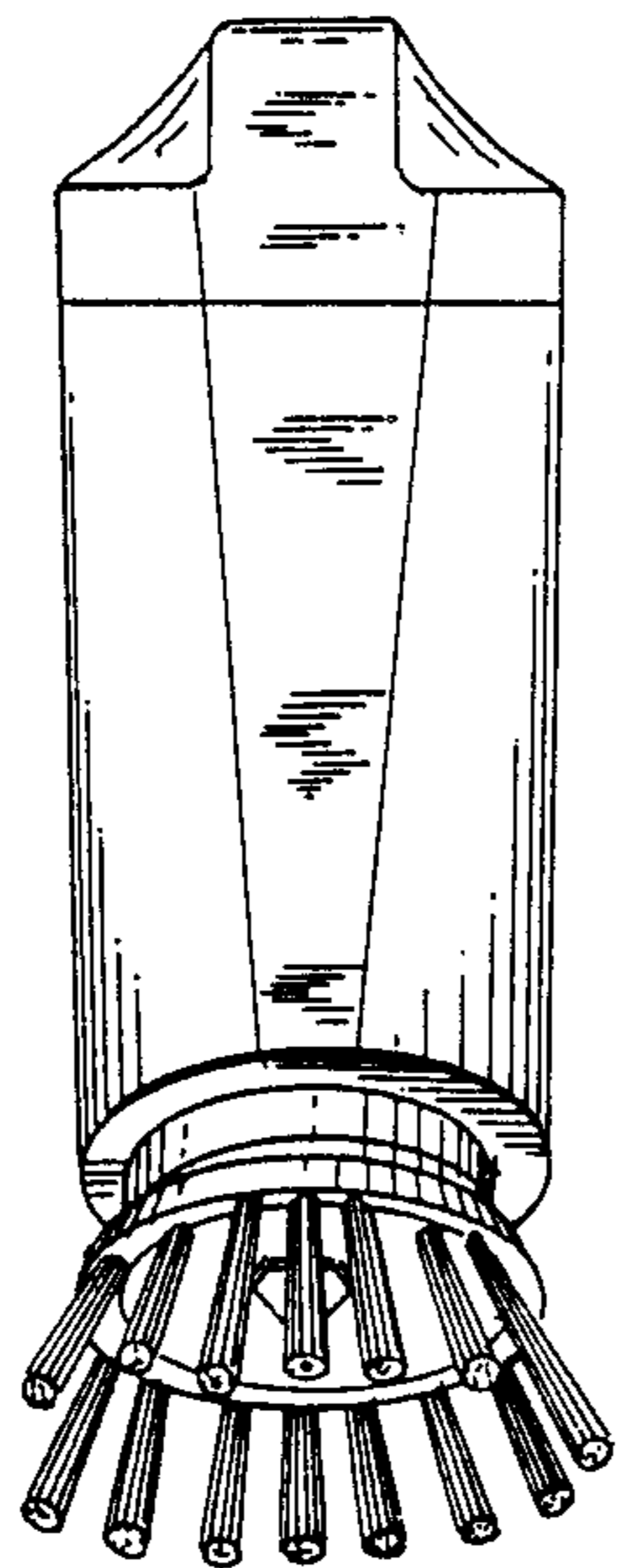


FIG. 5

FIG. 6

