

[54] REMOVABLE SOLE FOR SPIKED SHOES

[57] CLAIM

[76] Inventor: Douglas C. Beckley, Rte. 101, Box 303B, Ritzville, Wash. 99169

The ornamental design for a removable sole for spiked soles, as shown.

[**] Term: 14 Years

DESCRIPTION

[21] Appl. No.: 152,752

FIG. 1 is a top plan view of a removable sole for spiked shoes showing my new design;

[22] Filed: Feb. 5, 1988

FIG. 2 is a bottom plan elevational view thereof;

[52] U.S. Cl. D2/277; D2/314; D2/317

FIG. 3 is a toe end elevational view thereof;

[58] Field of Search D2/264, 265, 270, 271, D2/277, 293, 291, 314, 317, 311, 319; 36/7.1 R, 7.5, 8.1, 10, 11.5, 132, 135, 136

FIG. 4 is a heel end elevational view thereof;

FIG. 5 is a left side elevational view thereof;

FIG. 6 is a right side elevational view thereof;

FIG. 7 is a top plan view of a removable sole for spiked shoes showing an alternate form of my new design;

[56] References Cited

U.S. PATENT DOCUMENTS

- D. 249,908 10/1978 Meinhart D2/317
- D. 252,717 8/1979 Kaman D2/314
- 2,742,637 4/1956 Sloane D2/293 X
- 3,176,416 4/1965 Seegert D2/271 X

FIG. 8 is a bottom plan view of the alternate form thereof;

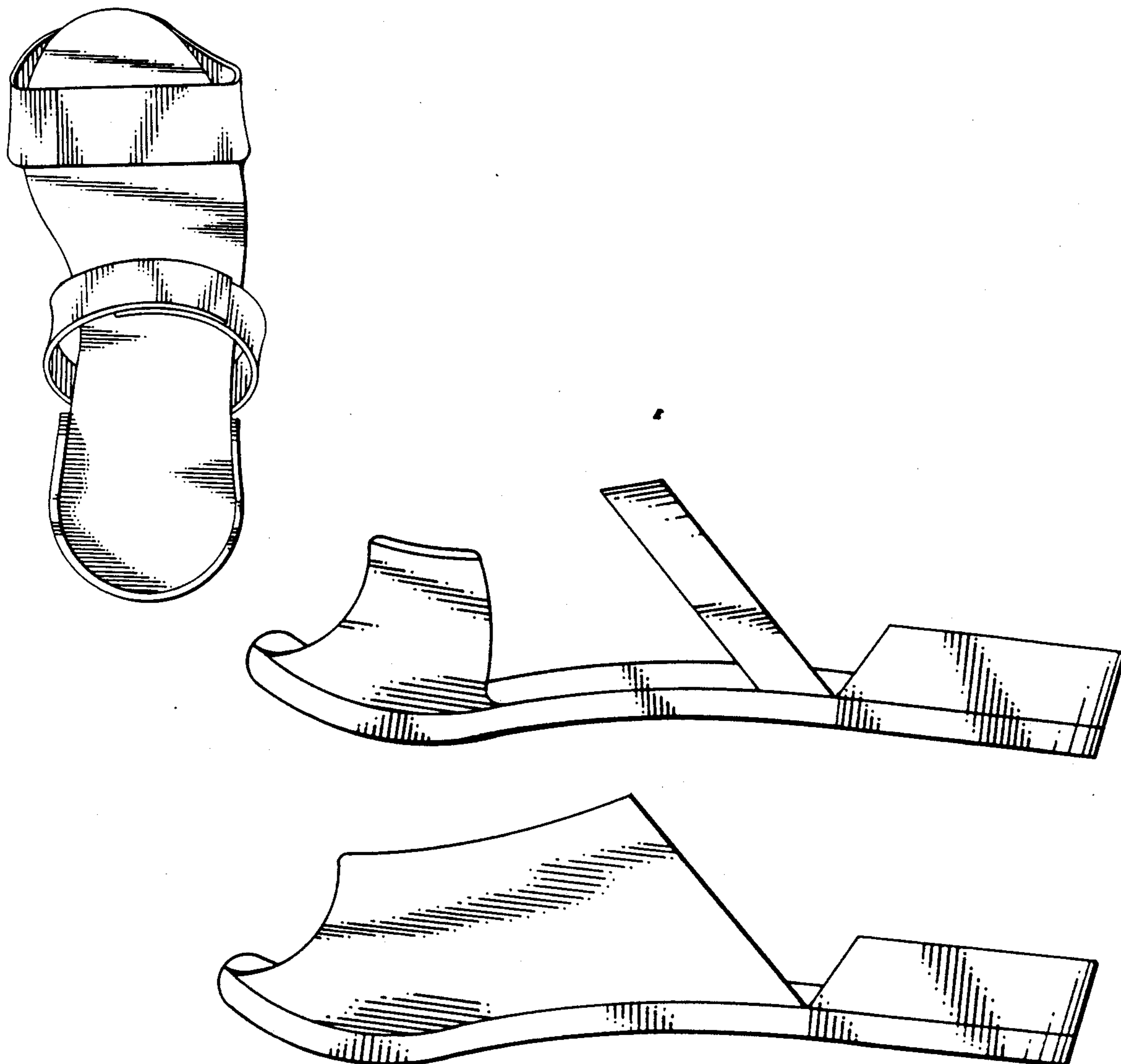
FIG. 9 is a toe end elevational view of the alternate form thereof;

FIG. 10 is a heel end elevational view of the alternate form thereof;

FIG. 11 is a left side elevational view of the alternate form thereof; and

FIG. 12 is a right side elevational view of the alternate form thereof.

Primary Examiner—Louis S. Zarfaz
Attorney, Agent, or Firm—Wells, St. John & Roberts



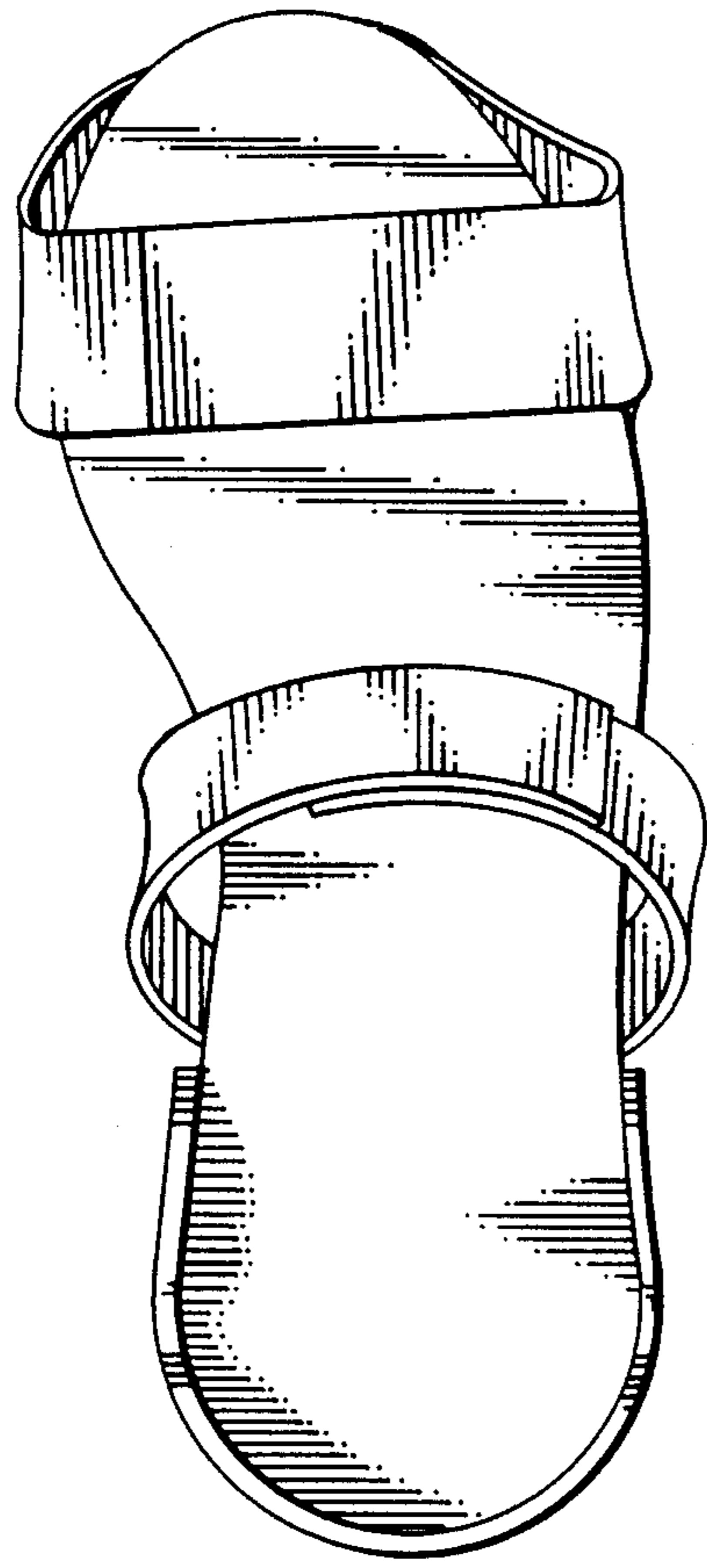


Fig. 1

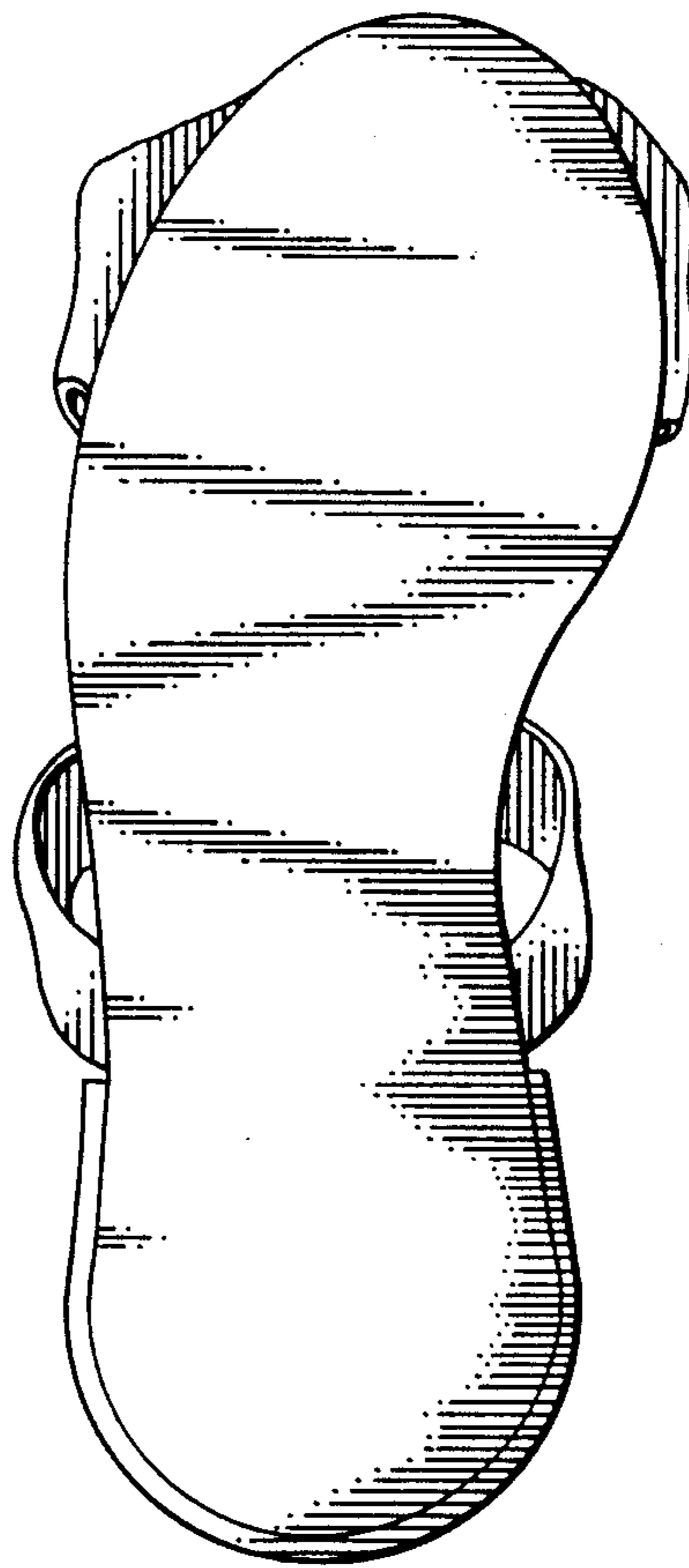


Fig. 2

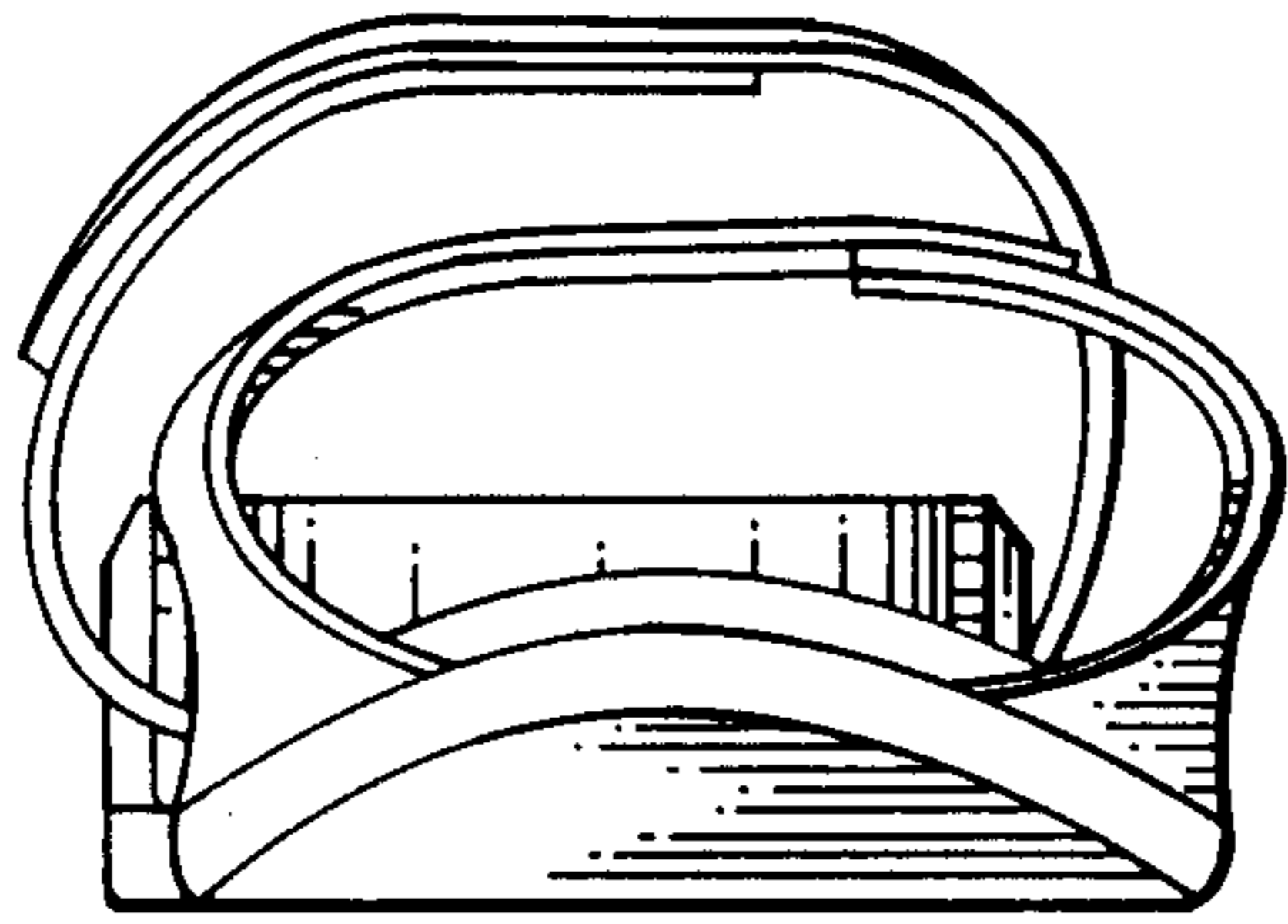


FIG 3

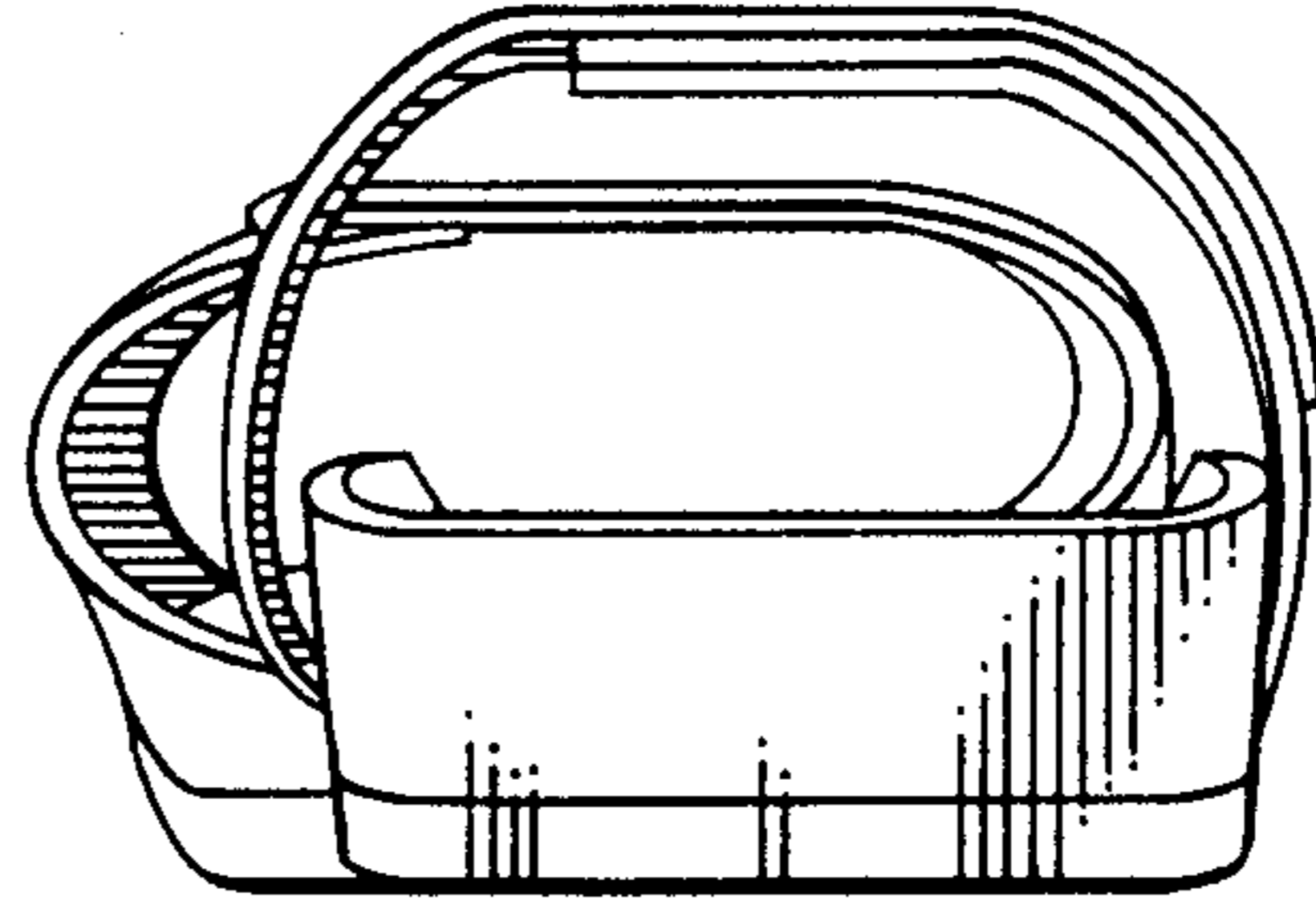


FIG 4

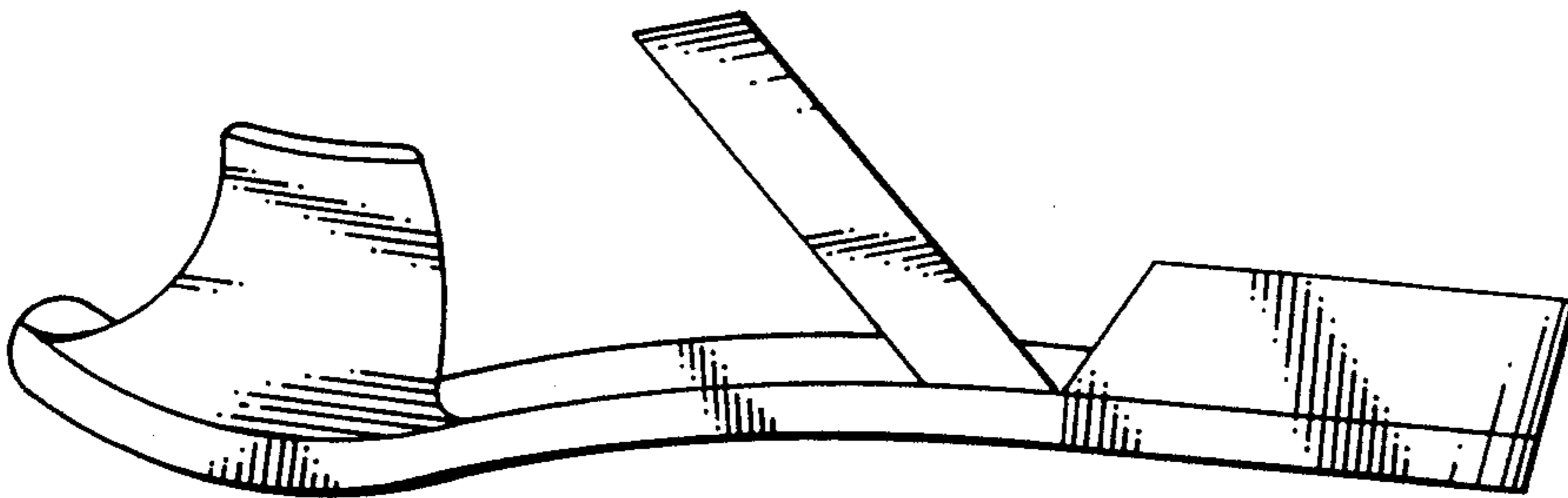


FIG 5

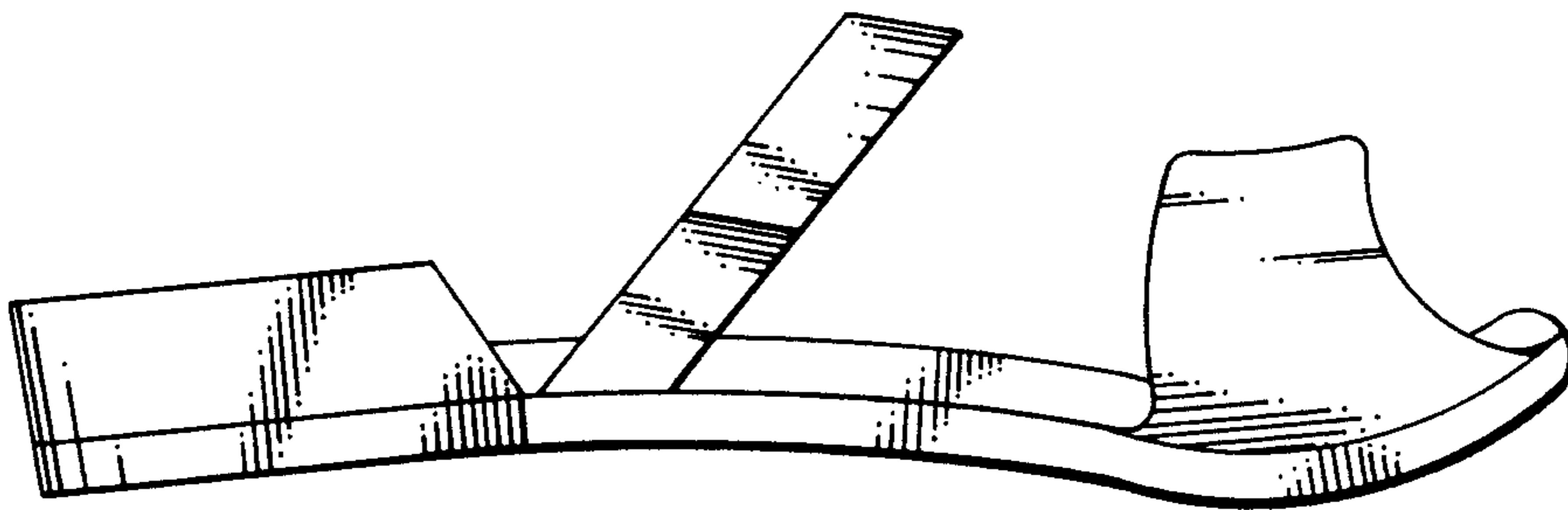


FIG 6

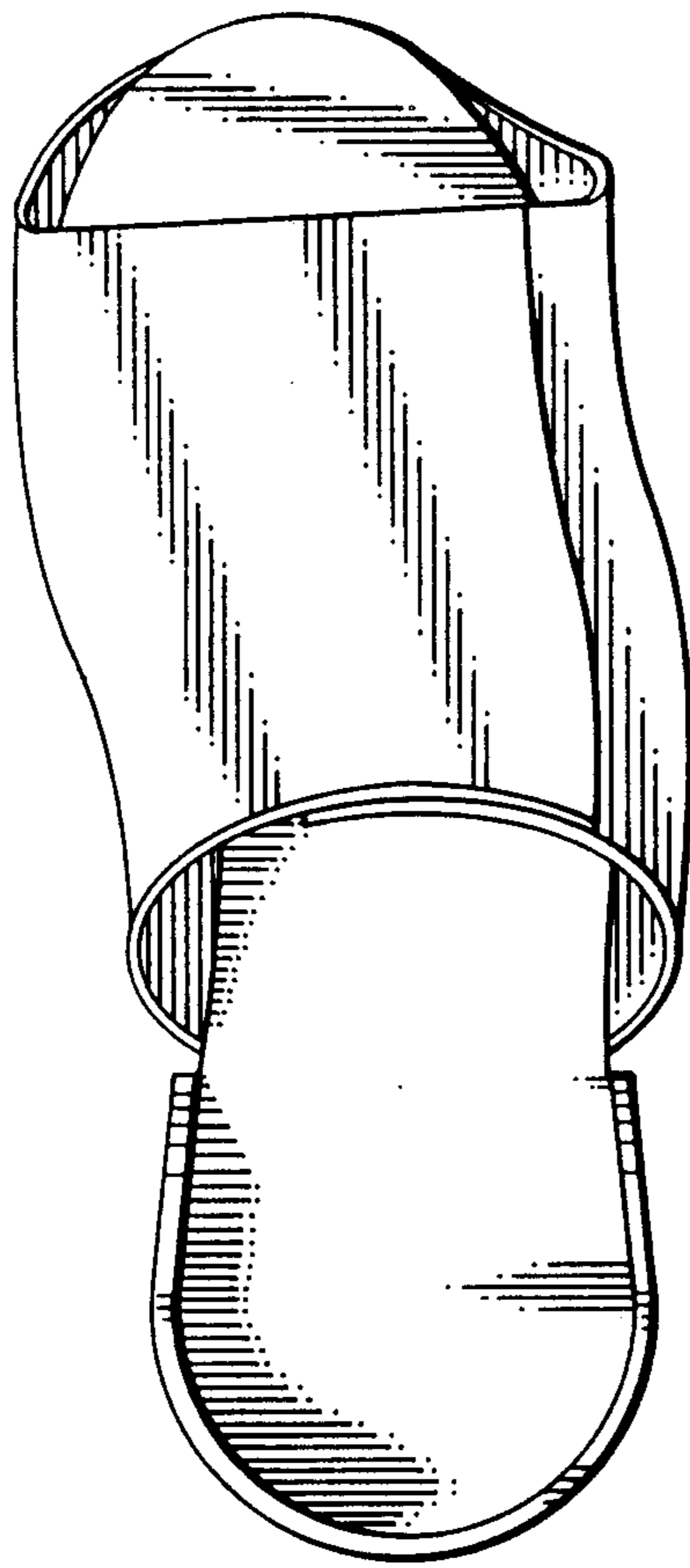


Fig 7

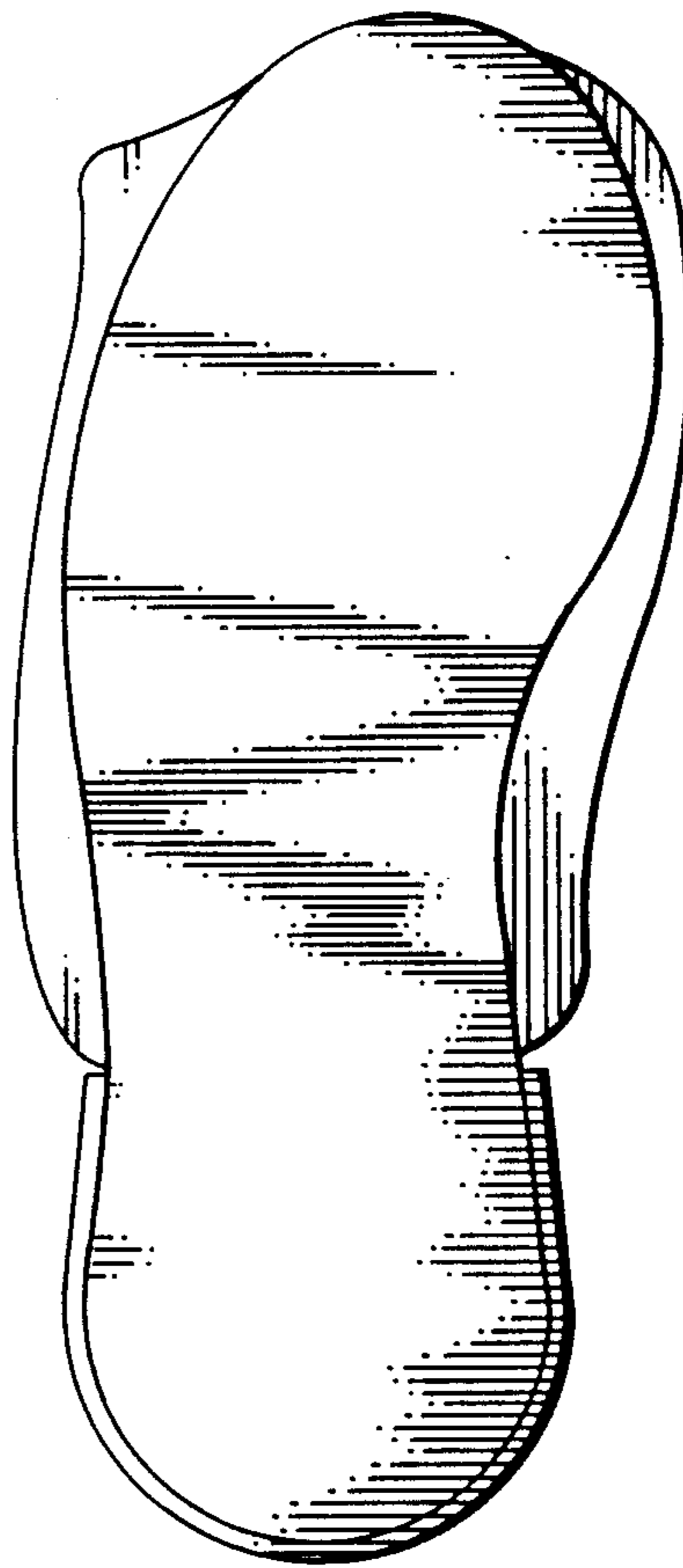


Fig 8

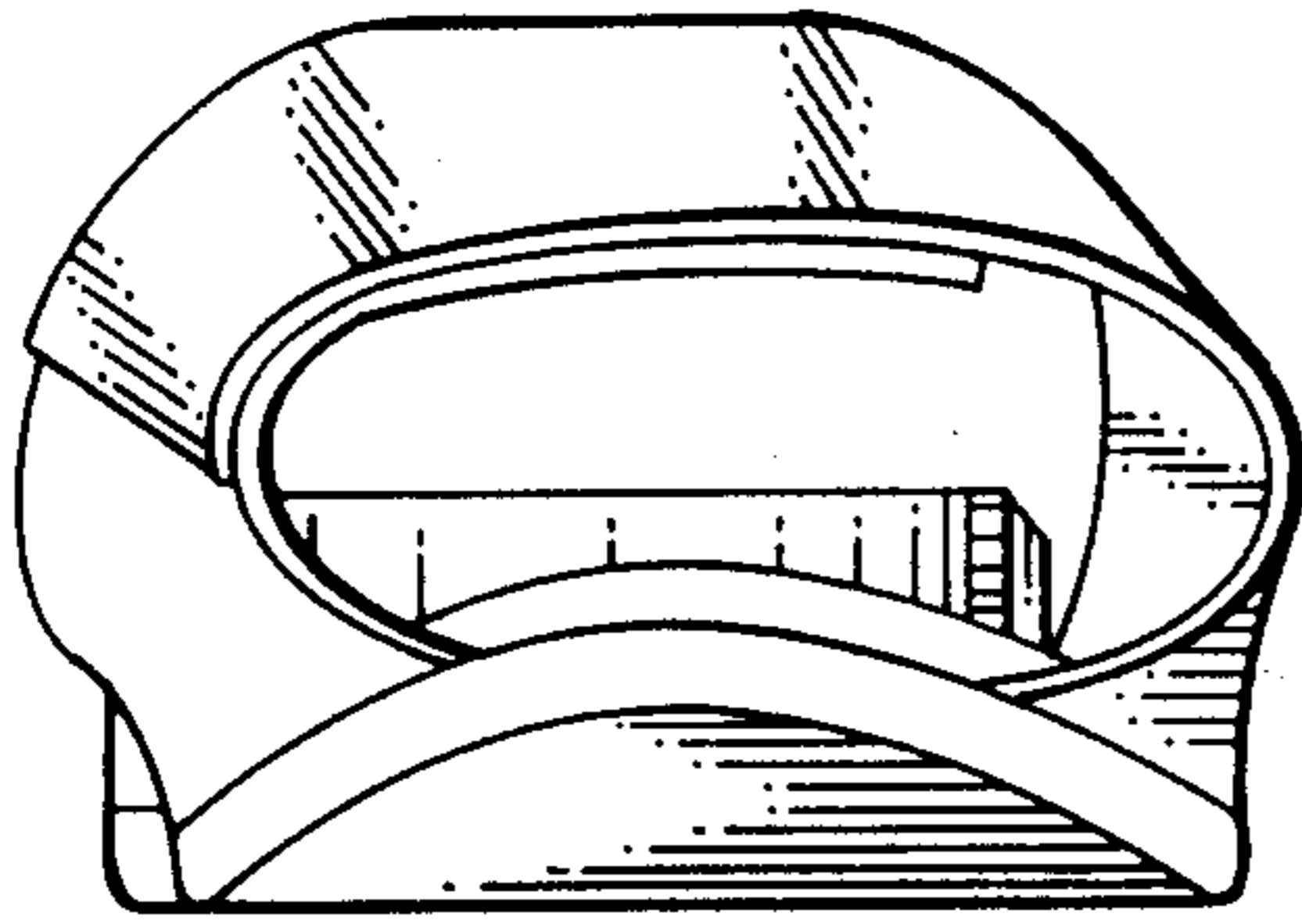


FIG 9

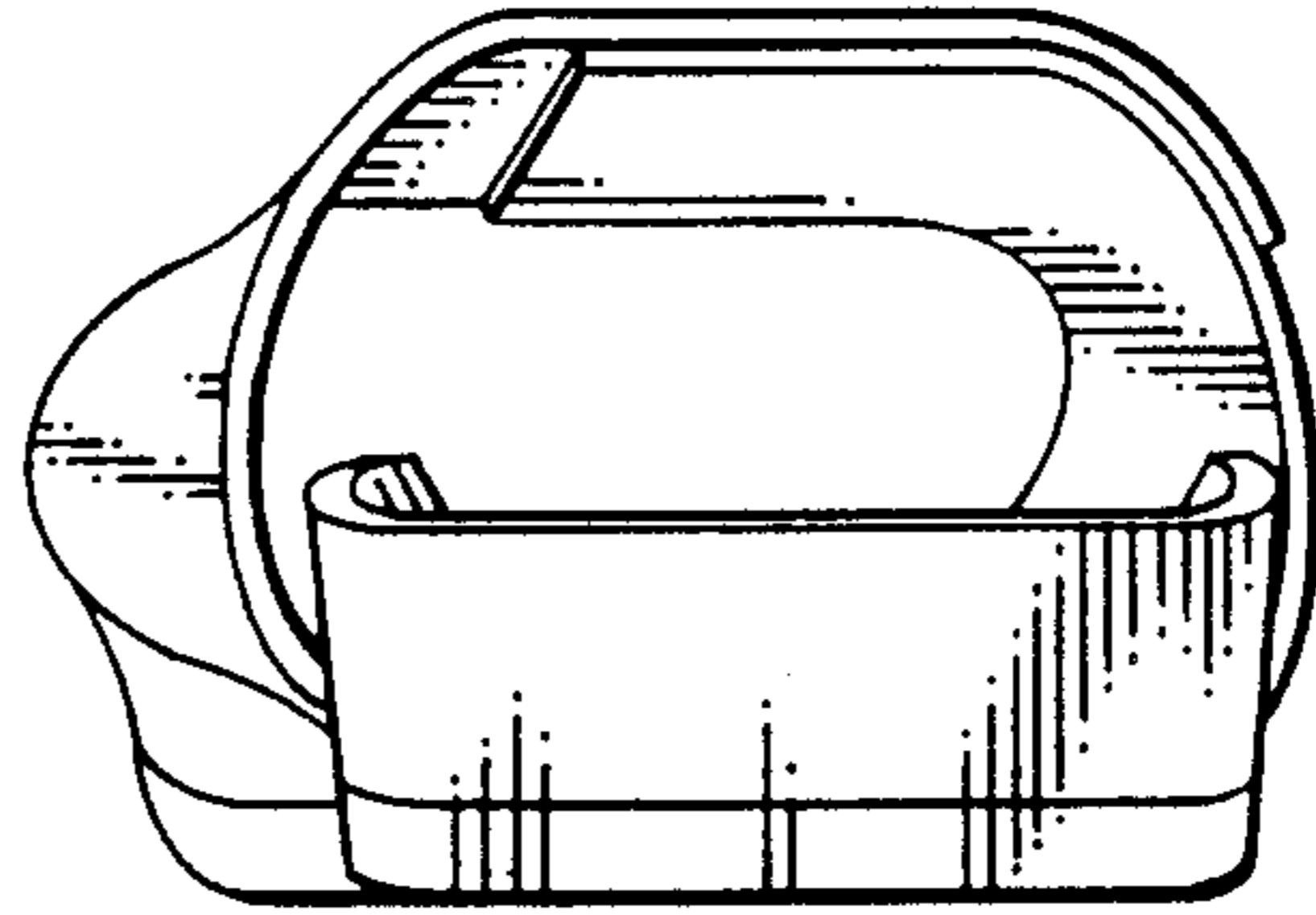


FIG 10

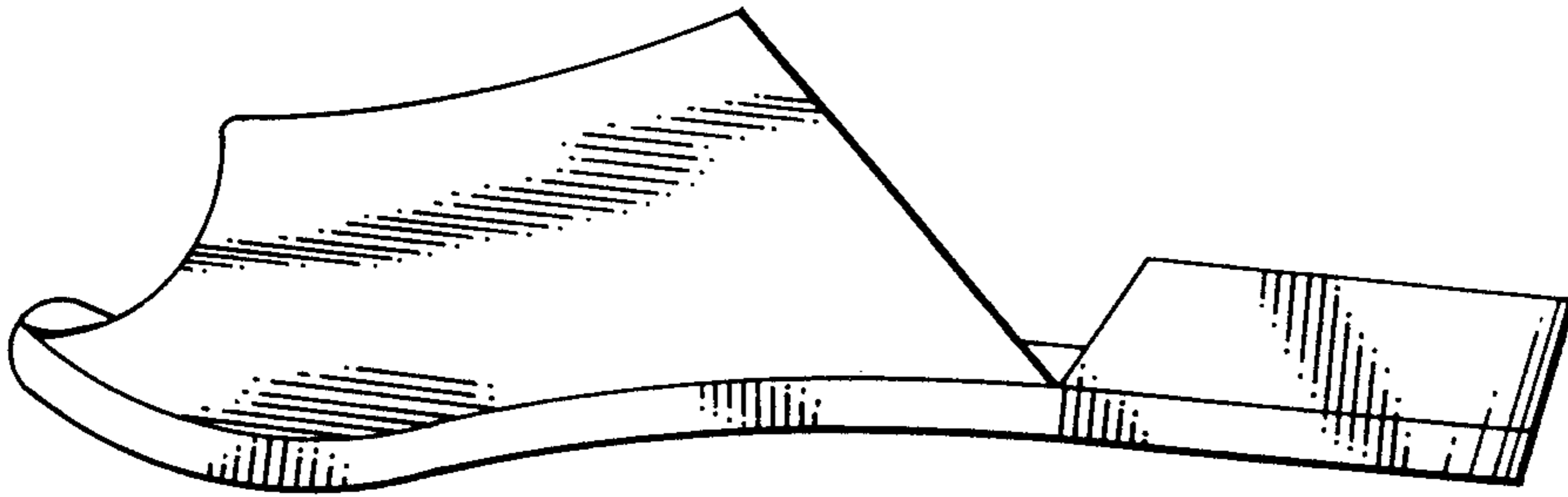


FIG 11

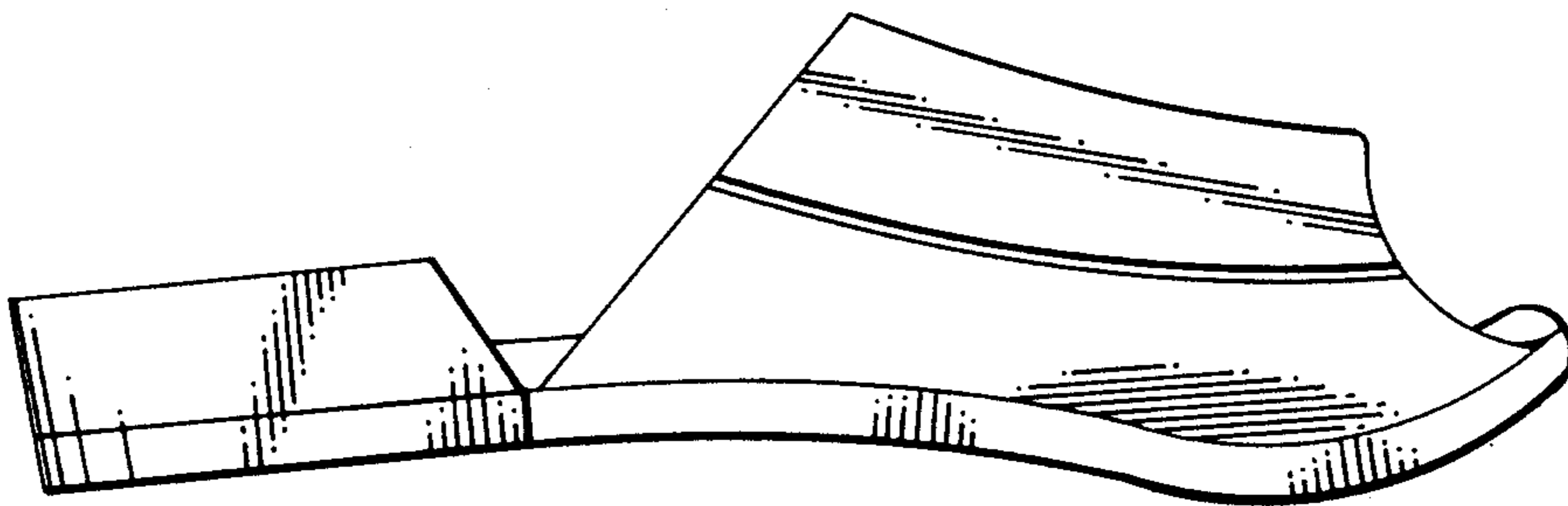


FIG 12