

[54] **CART**
[75] **Inventor: Isaac Rinkewich, Hightstown, N.J.**
[73] **Assignee: Poly Maid-Cart Corp., Inc.,
Hightstown, N.J.**
[**] **Term: 14 Years**
[21] **Appl. No.: 266,921**
[22] **Filed: Oct. 19, 1988**
[52] **U.S. Cl. D34/21; D34/17**
[58] **Field of Search D34/17, 19, 20, 21,
D34/23; 280/79.3, 47.35, 47.19; 312/250;
D6/432, 436, 477, 481, 479, 474; 108/59**

D. 288,331 2/1987 Hultdt D34/21
D. 293,148 12/1987 Wedel D34/21
D. 301,652 6/1989 Roberts D34/21
D. 302,064 7/1989 Delmerico D34/21

Primary Examiner—Kay H. Chin
Attorney, Agent, or Firm—Benjamin J. Barish

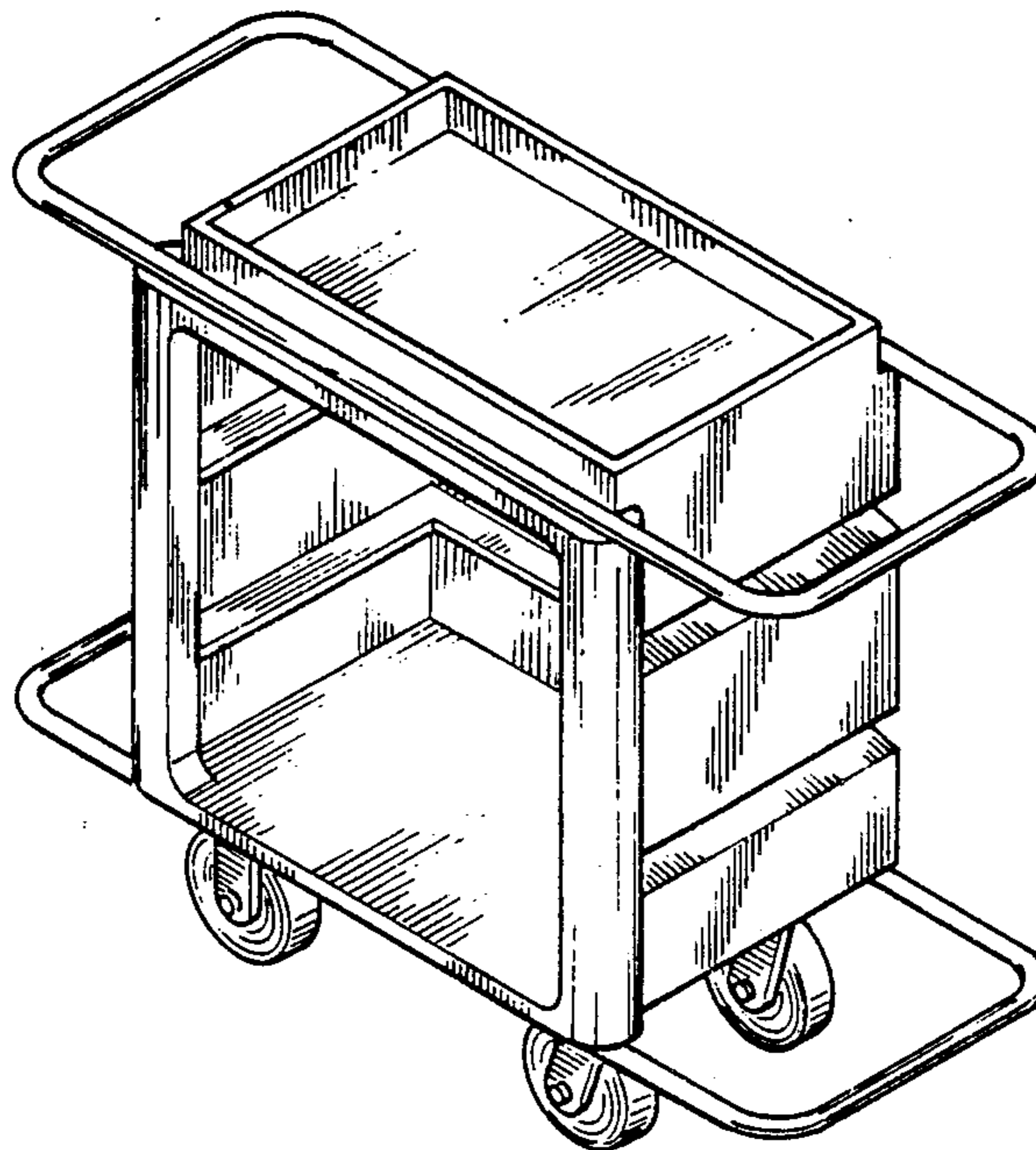
[57] **CLAIM**

The ornamental design for a cart, as shown and described.

DESCRIPTION

FIG. 1 is a front and top perspective view of a cart showing my new design;
FIG. 2 is a front elevational view thereof;
FIG. 3 is a rear elevational view thereof;
FIG. 4 is a side elevational view thereof, the opposite side view being a mirror image of that shown; and
FIG. 5 is a top plan view thereof.

[56] **References Cited**
U.S. PATENT DOCUMENTS
D. 221,748 9/1971 Bloomfield D34/21



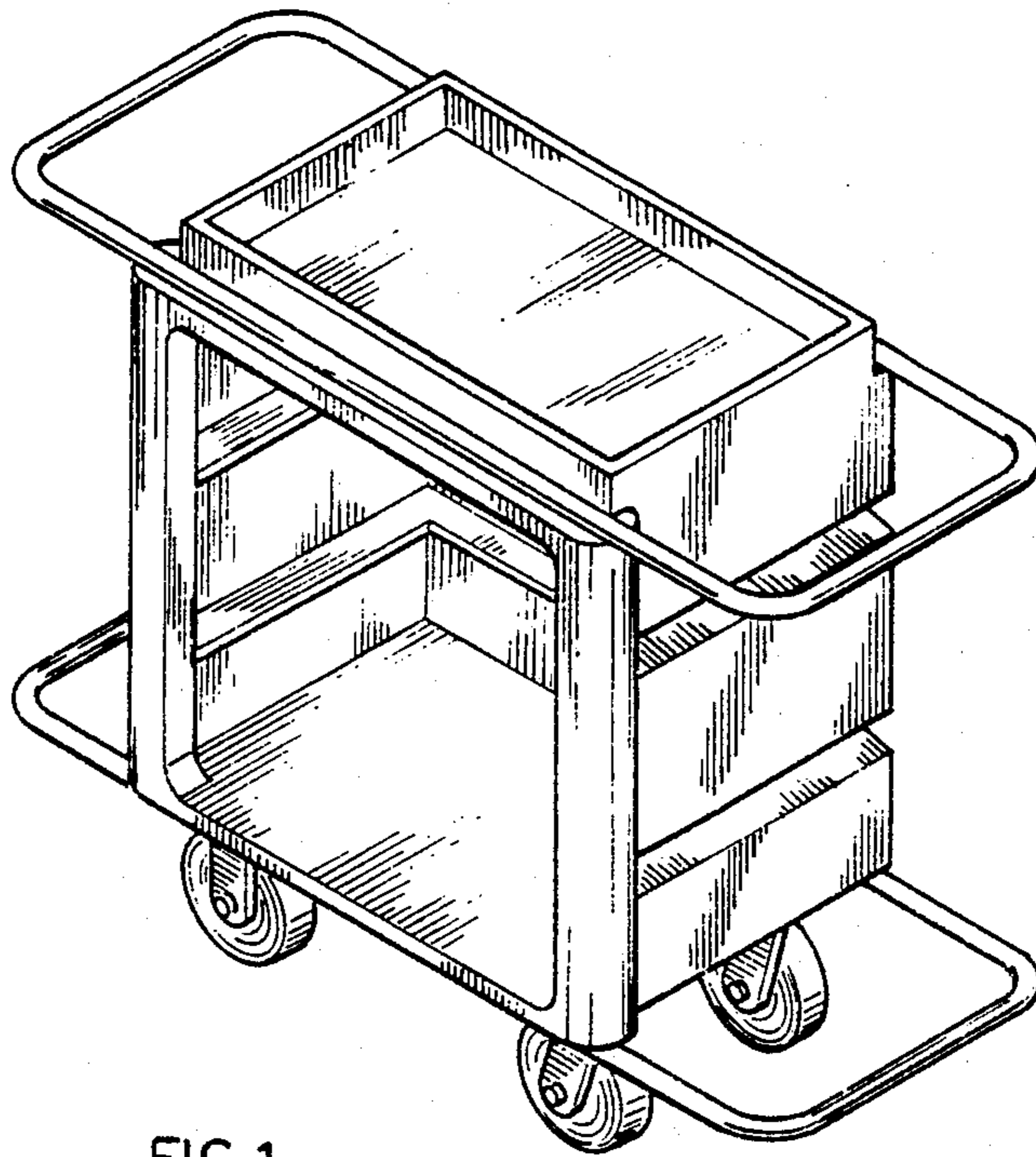


FIG 1

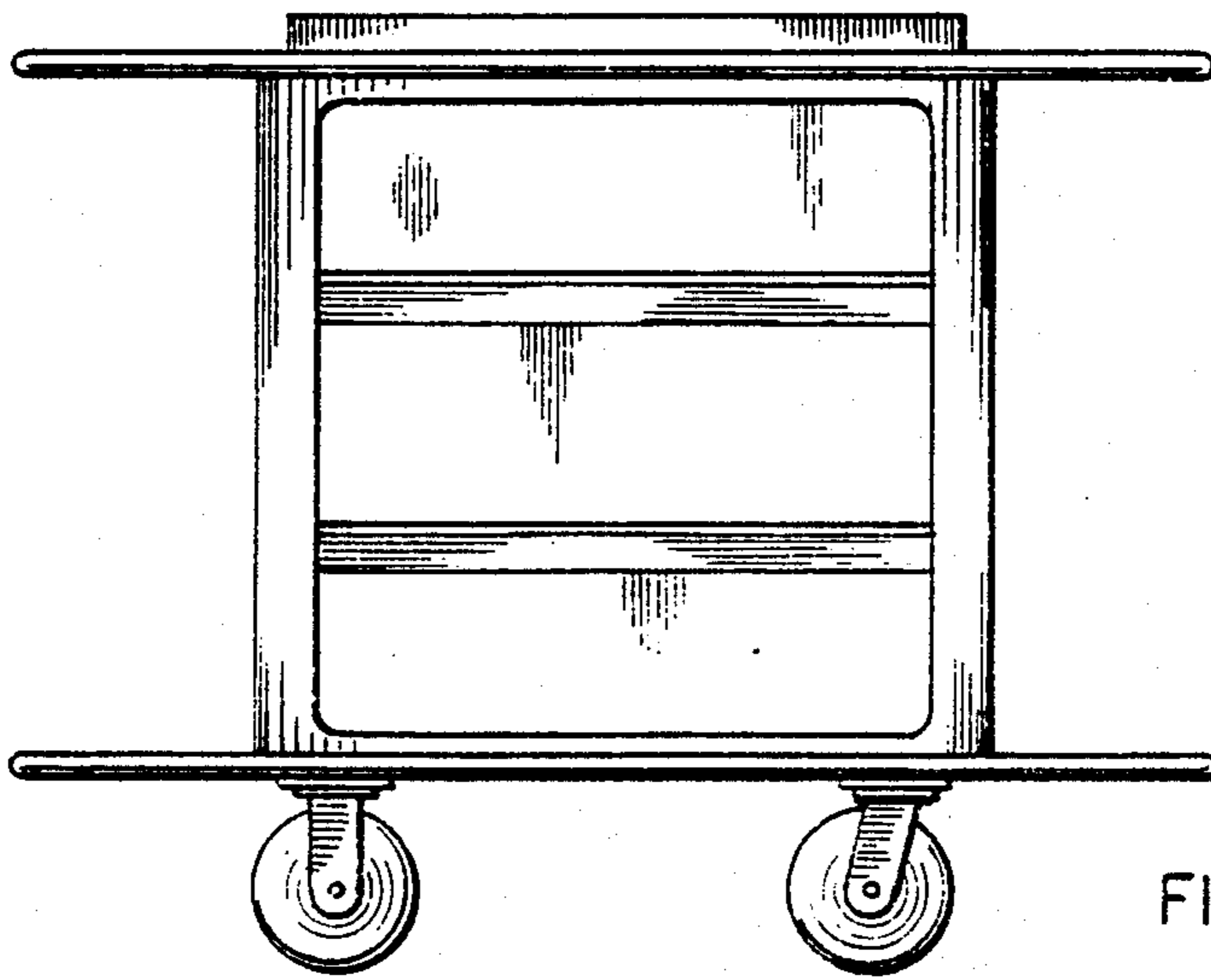


FIG 2

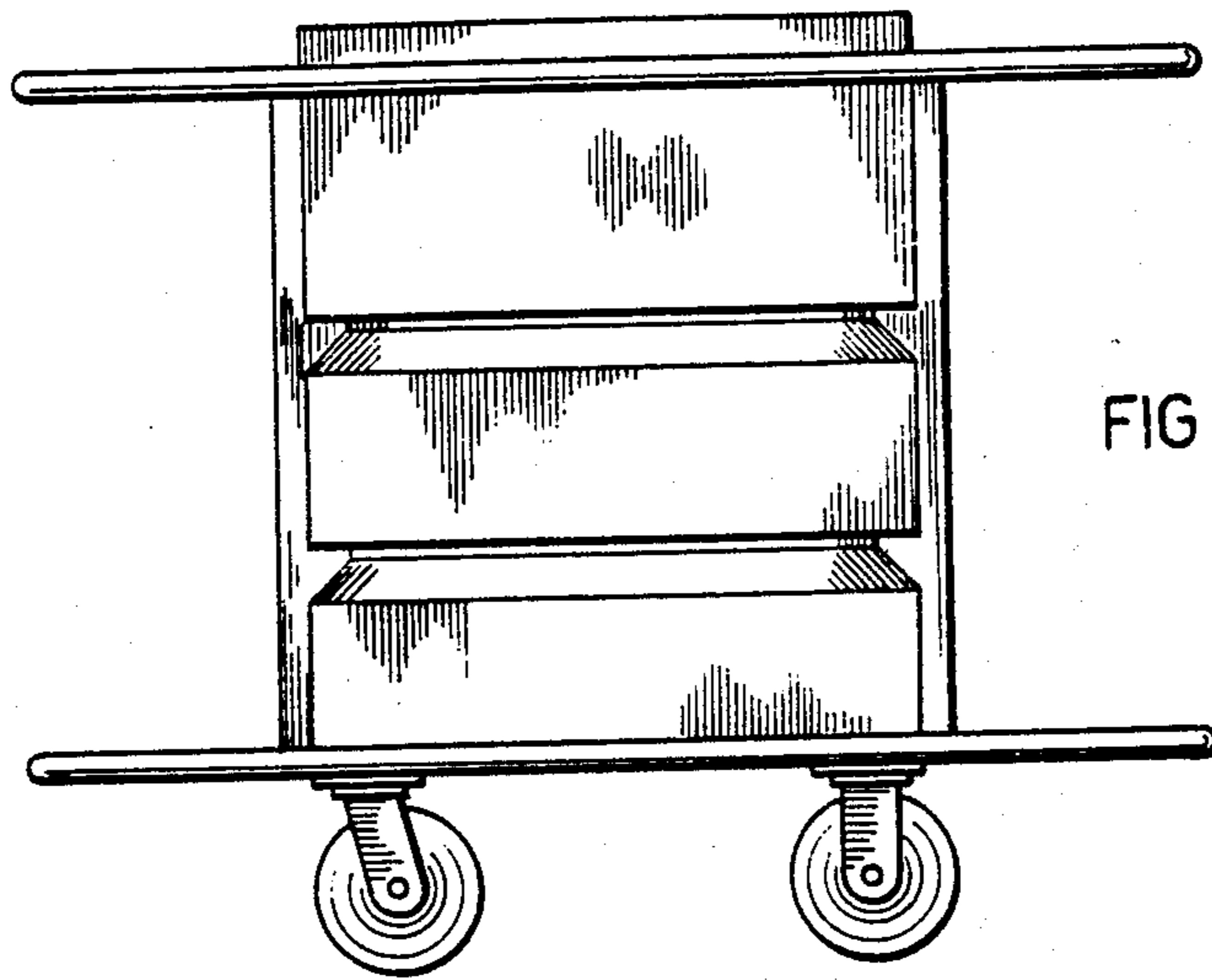


FIG 3

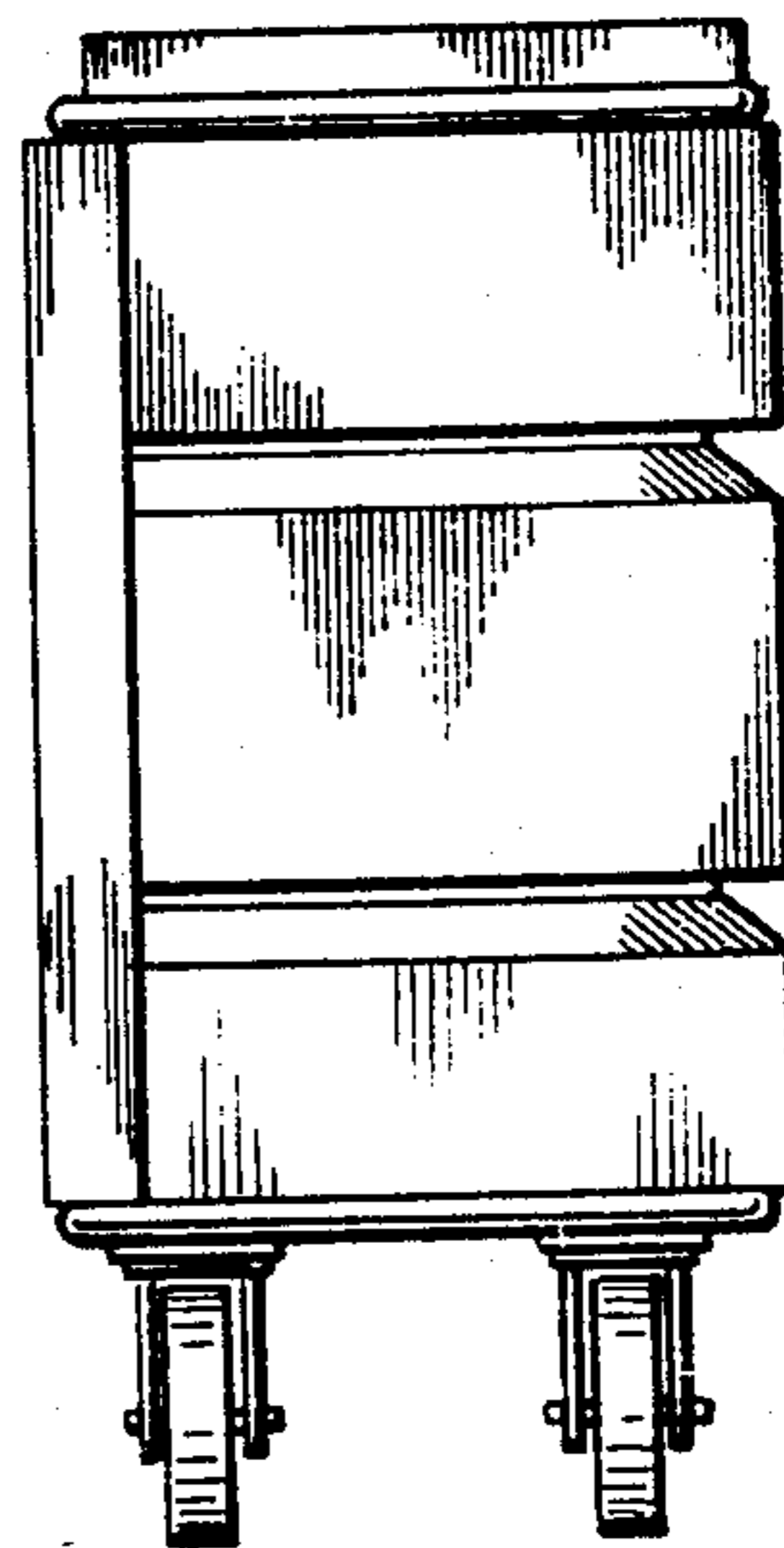


FIG 4

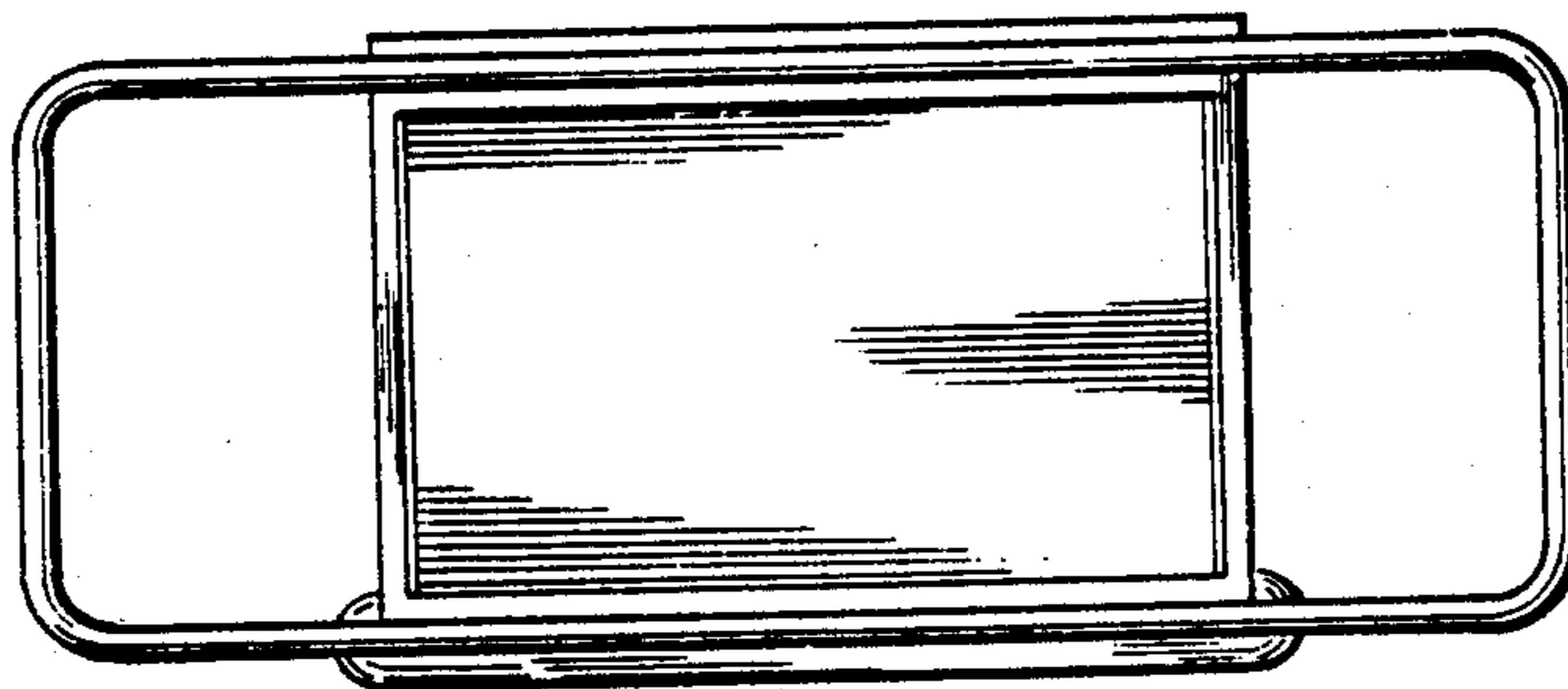


FIG 5