

United States Patent [19]

Brown

[11] Patent Number: **Des. 313,866**

[45] Date of Patent: **** Jan. 15, 1991**

[54] **TRACK LIGHT FIXTURE**

[75] Inventor: **Tobias Brown, Oak Park, Ill.**

[73] Assignee: **Alco Manufacturing Company,
Franklin Park, Ill.**

[**] Term: **14 Years**

[21] Appl. No.: **182,069**

[22] Filed: **Apr. 14, 1988**

[52] U.S. Cl. **D26/61**

[58] Field of Search **D26/60-66;
362/269, 275, 287, 418, 419, 427, 428, 147**

[56] **References Cited**

U.S. PATENT DOCUMENTS

- D. 287,413 12/1986 Kusmer et al. D26/85
- D. 288,135 2/1987 Donato D26/63

- 4,727,460 2/1988 Payne 362/269
- 4,887,196 12/1989 Brown et al. 362/364 X

Primary Examiner—Susan J. Lucas
Attorney, Agent, or Firm—Pasquale A. Razzano

[57] **CLAIM**

The ornamental design for a track light fixture, as shown.

DESCRIPTION

FIG. 1 is a bottom, front, right side perspective view of a track light fixture showing my new design; FIG. 2 is a bottom plan view thereof; FIG. 3 is a right side elevational view thereof; FIG. 4 is a left side elevational view thereof; FIG. 5 is a top plan view thereof; FIG. 6 is a front elevational view thereof; and FIG. 7 is a rear elevational view thereof.

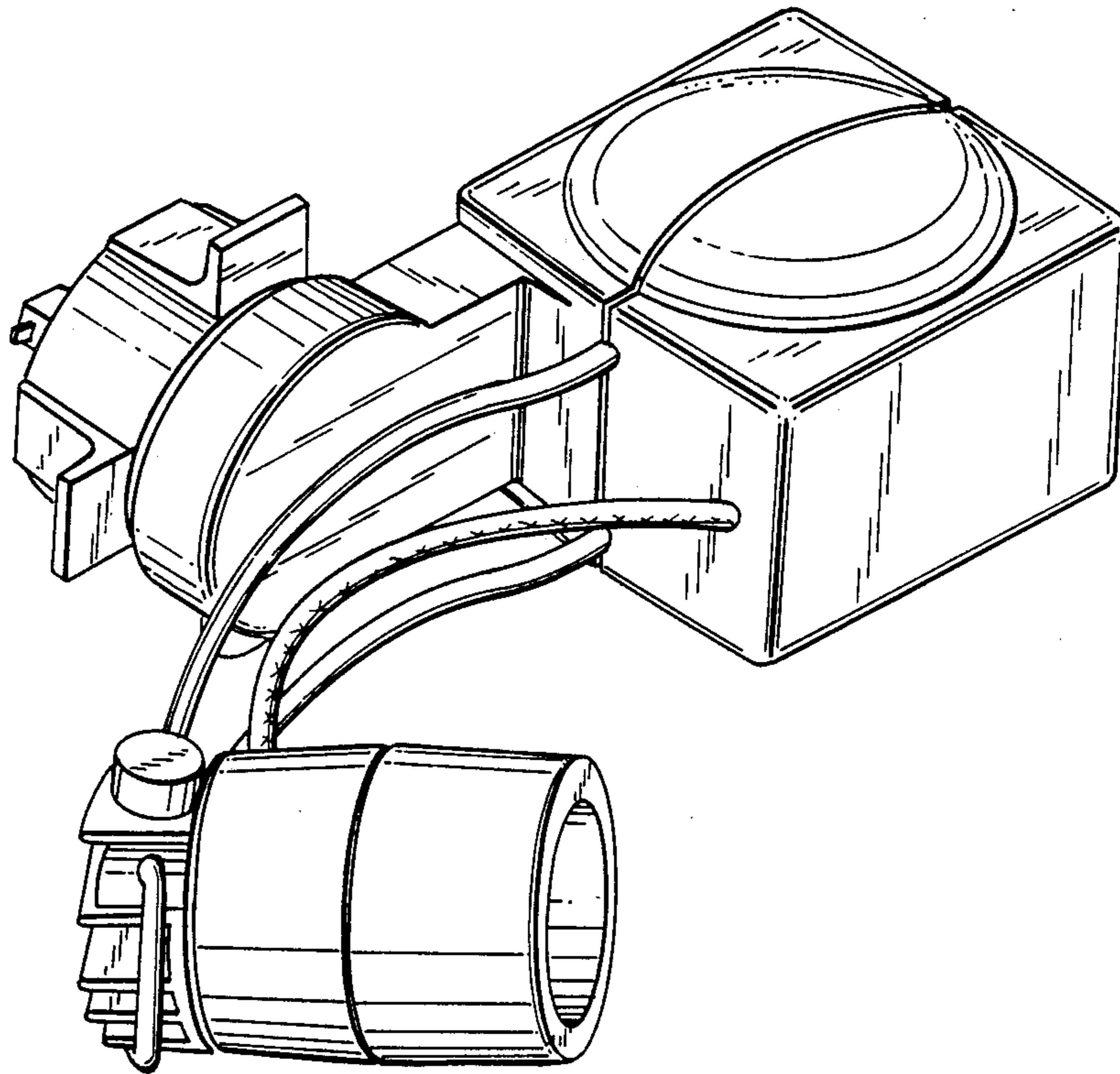


FIG. 7

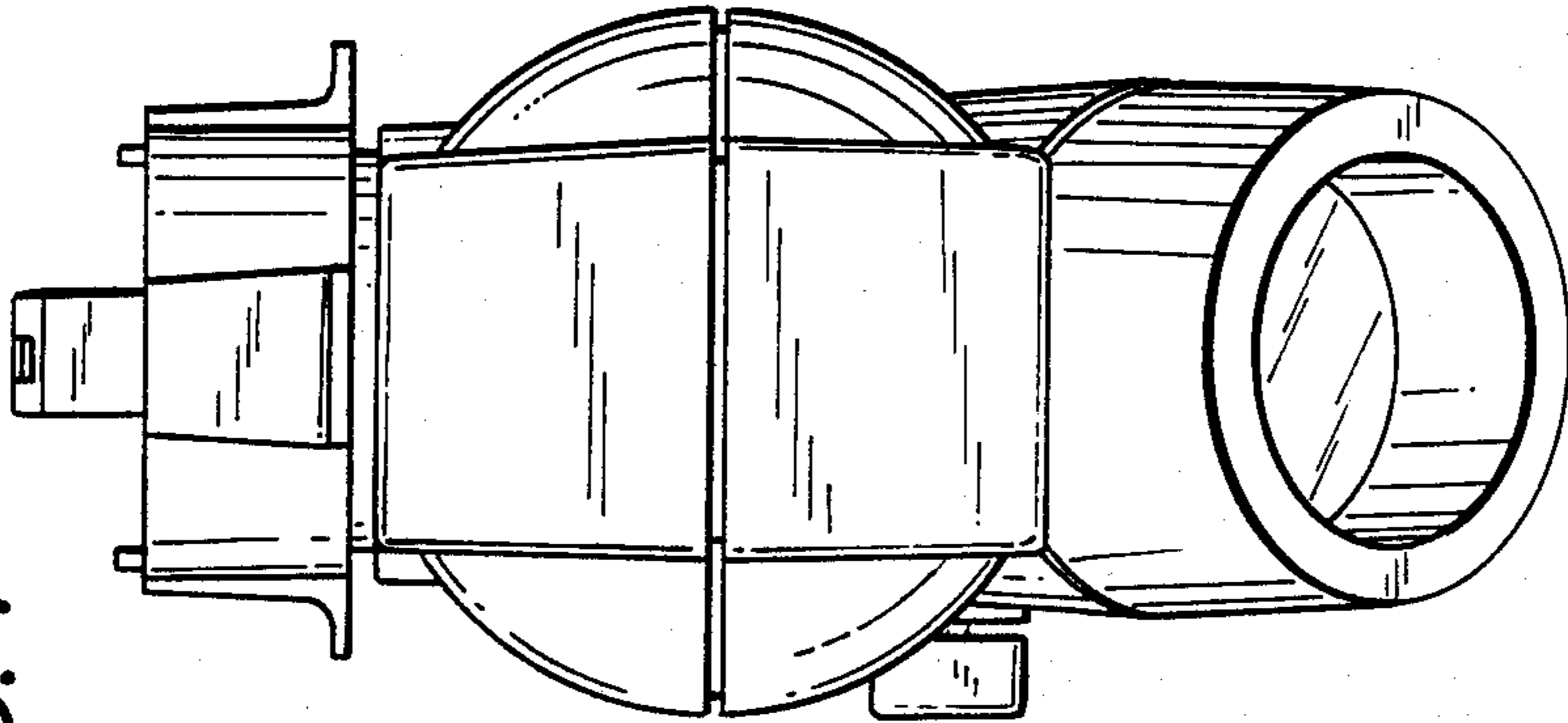


FIG. 1

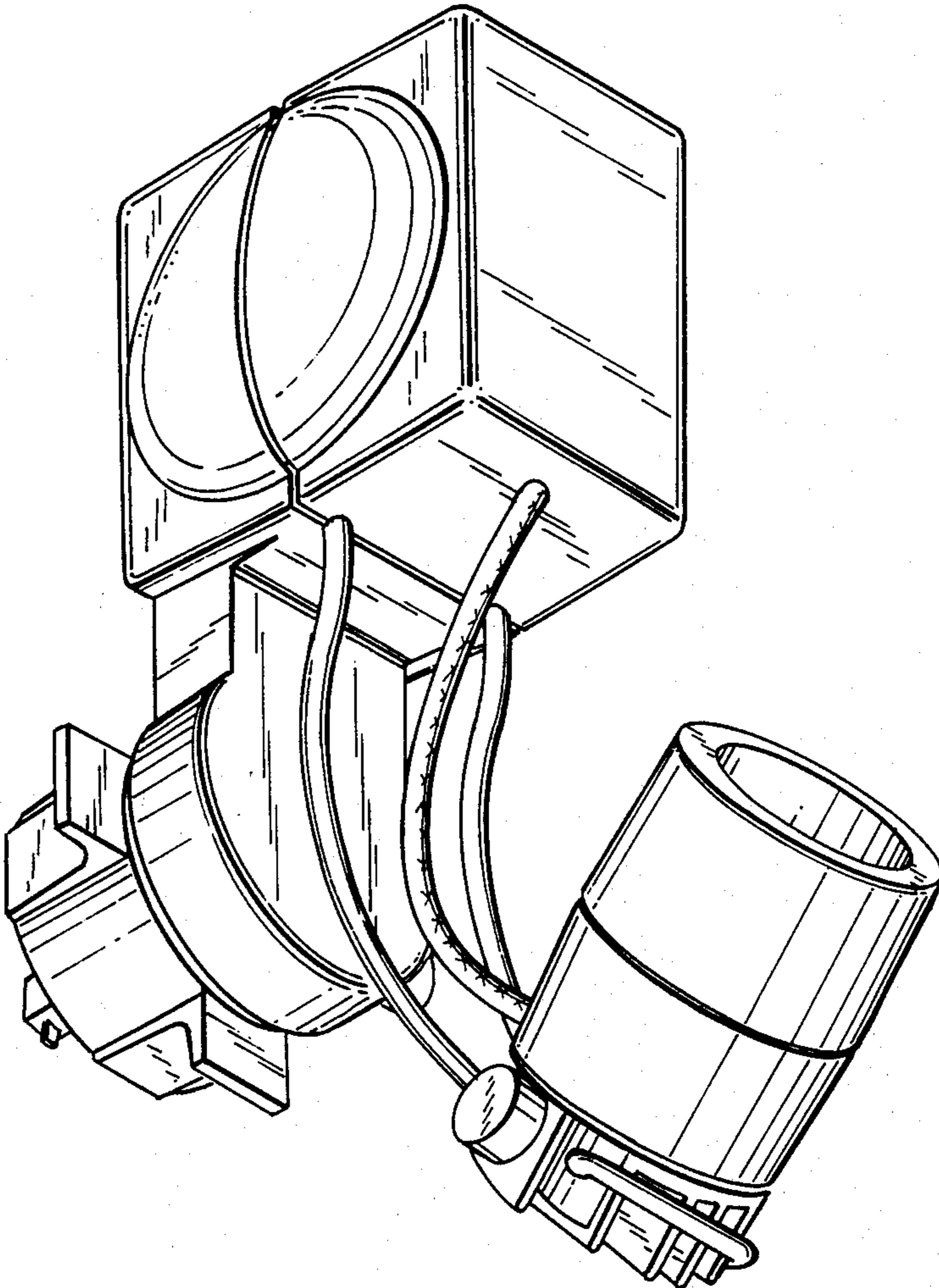


FIG. 3

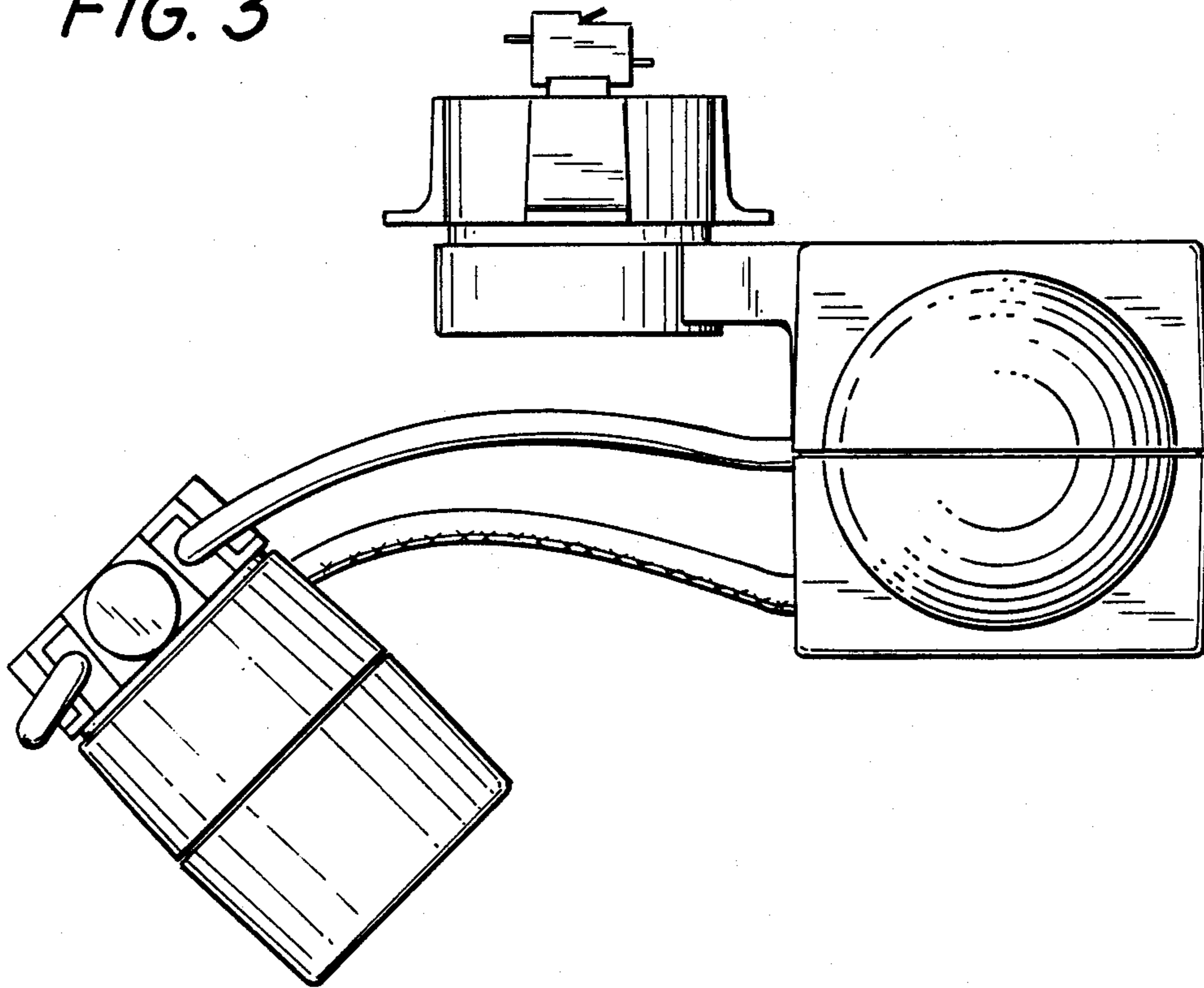
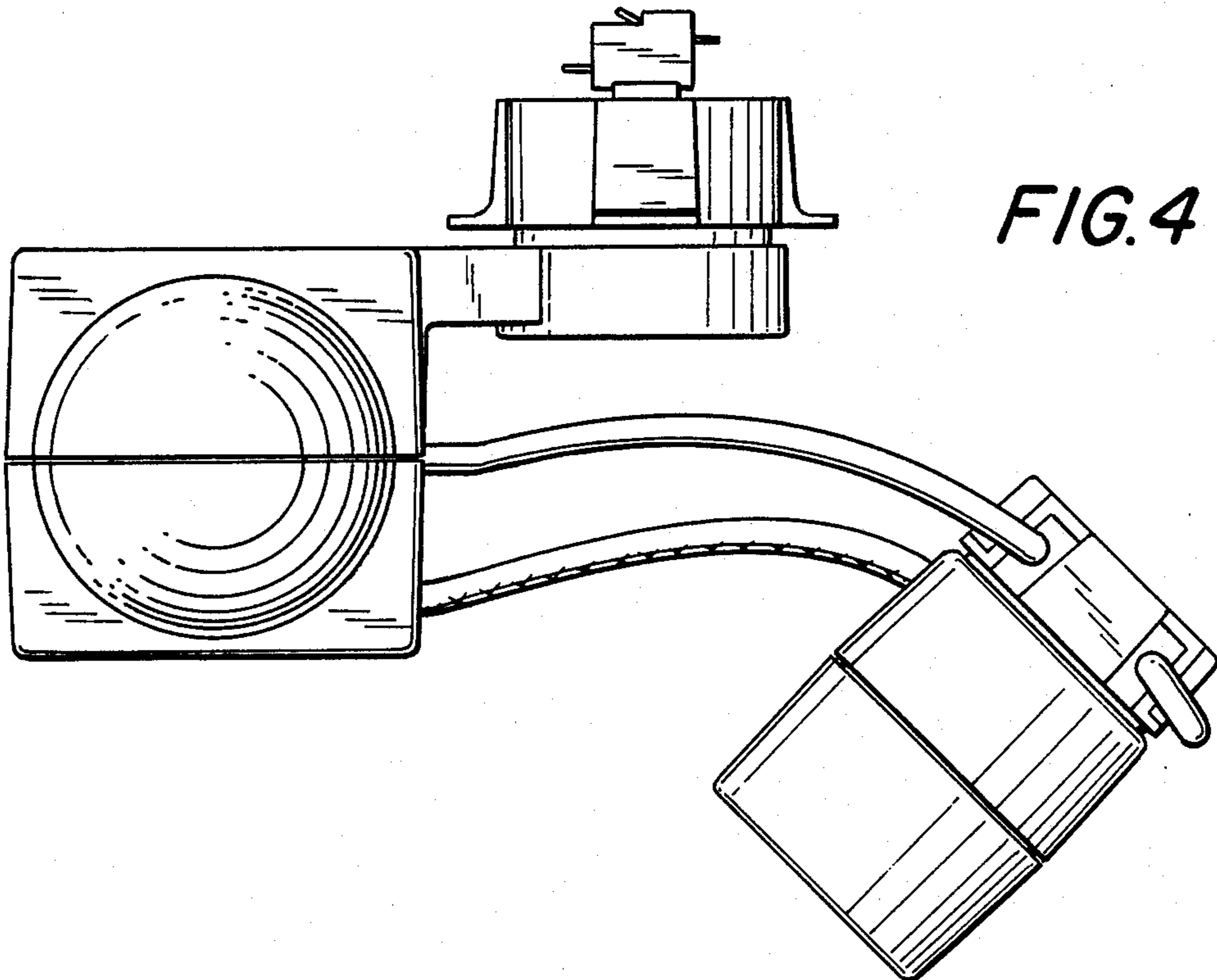


FIG. 4



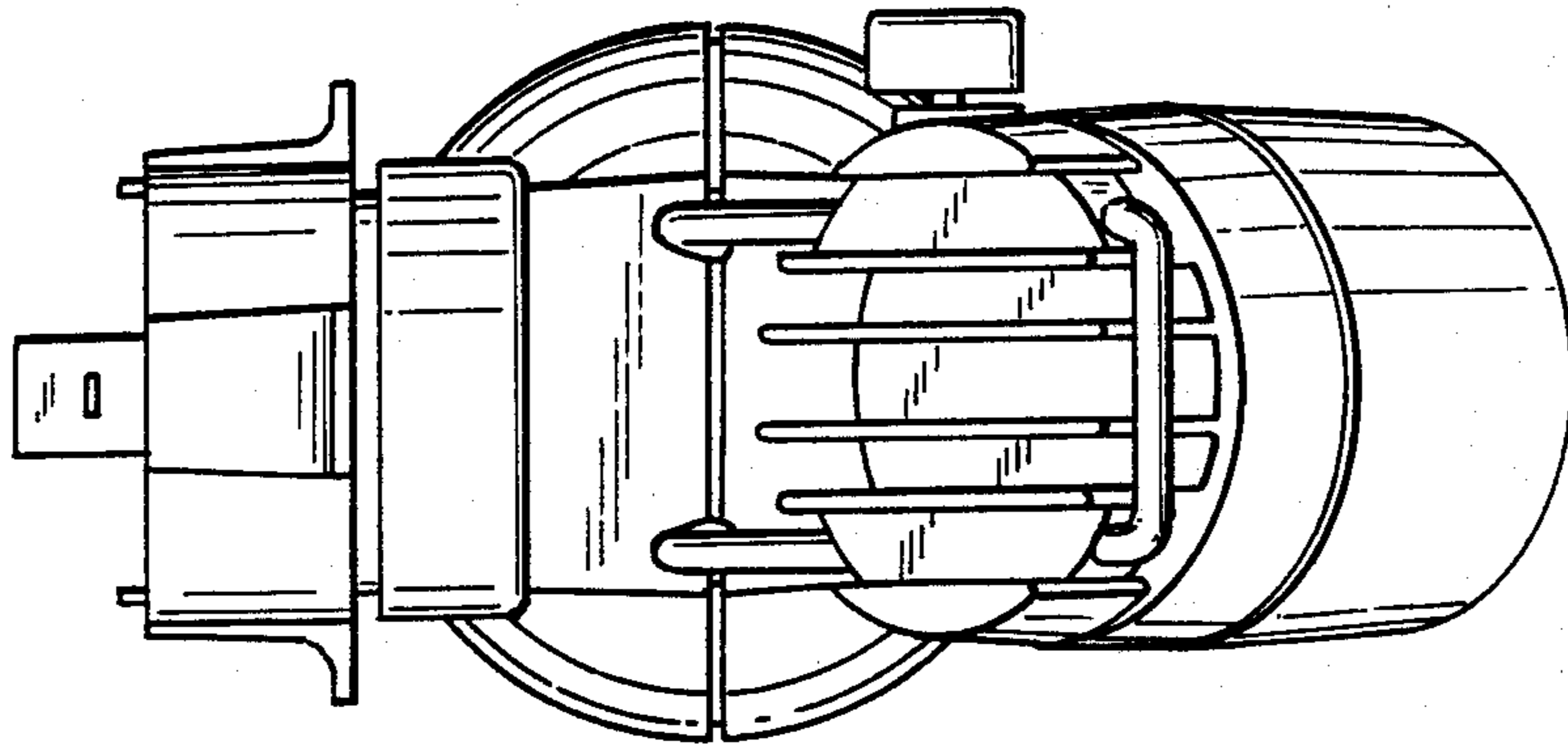


FIG. 6

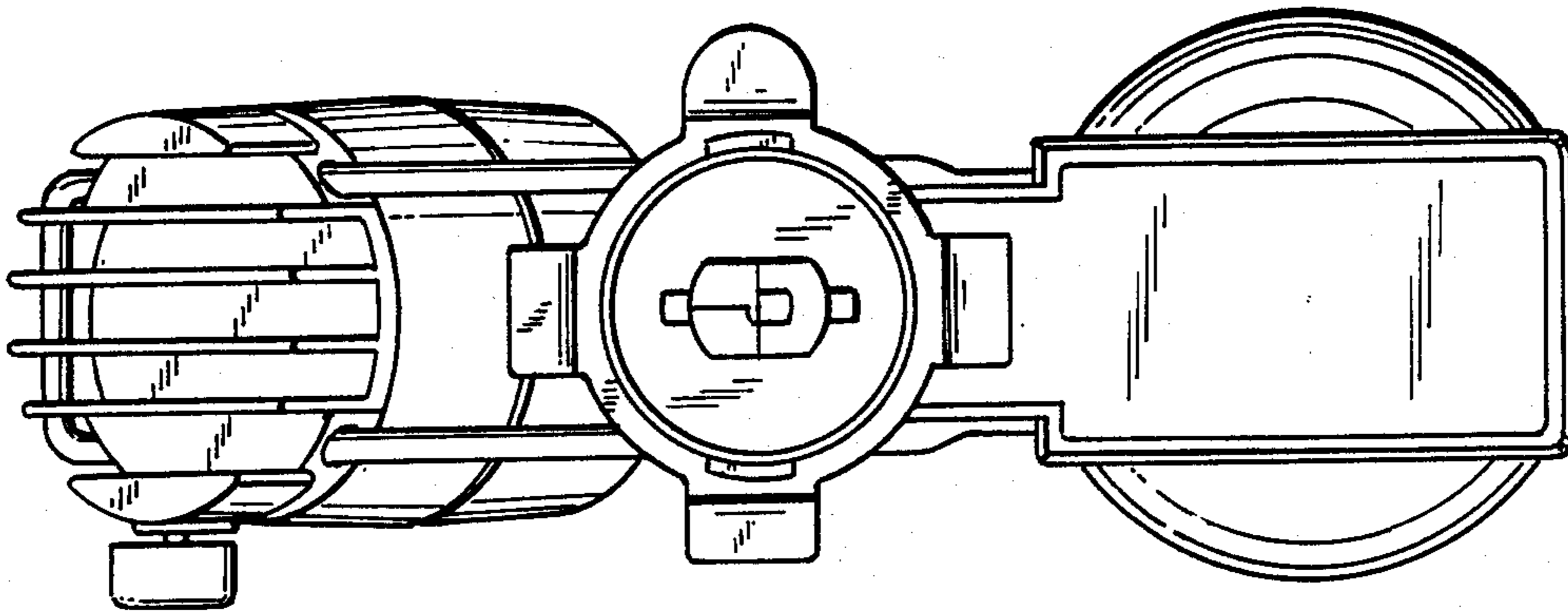


FIG. 5

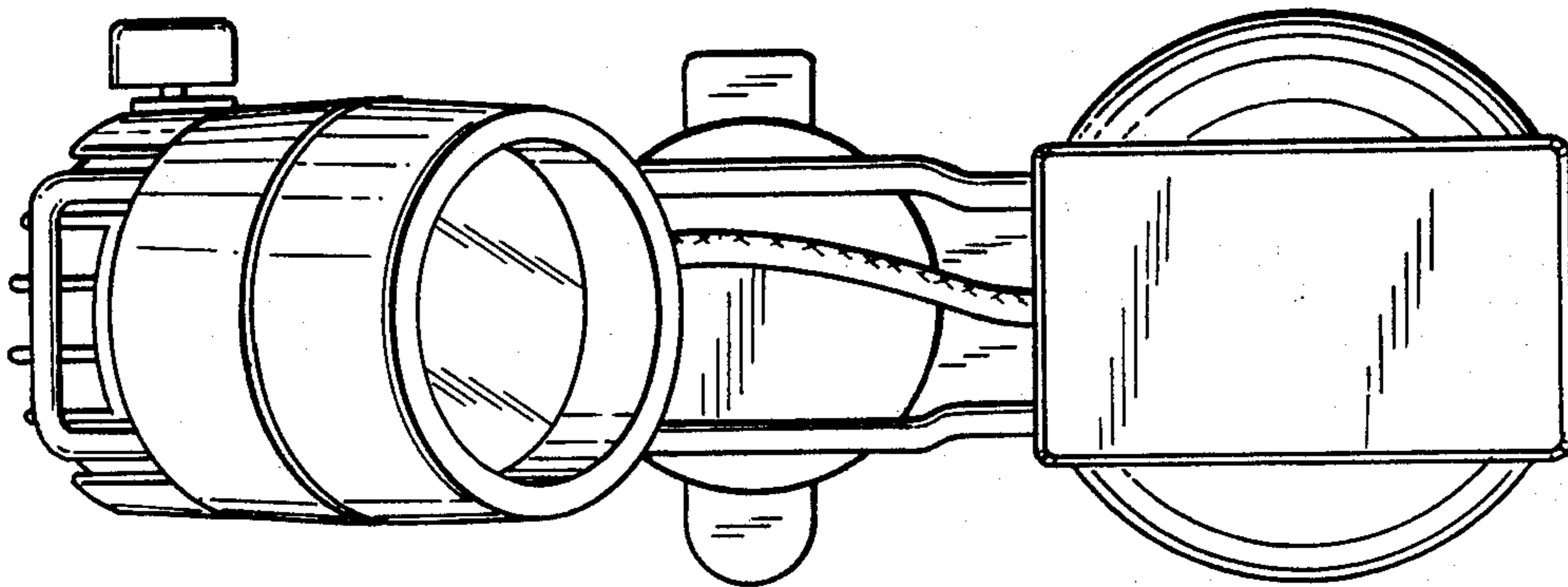


FIG. 2