

[54] **AUXILIARY TAILGATE LIGHT FOR A TRUCK OR THE LIKE**

[75] **Inventor: John F. Gaukler, Upland, Calif.**

[73] **Assignee: Jodie Smith, Chino, Calif.**

[\*\*] **Term: 14 Years**

[21] **Appl. No.: 429,188**

[22] **Filed: Oct. 30, 1989**

[52] **U.S. Cl. .... D26/28; D12/190**

[58] **Field of Search .... D26/28-36, D26/120, 121, 122; D20/10; D10/114; 362/61, 74, 80, 80.1, 80.2, 82, 83, 83.2, 83.3, 362, 326**

[56] **References Cited**

**U.S. PATENT DOCUMENTS**

D. 31,763	10/1899	Locke	.....	D26/120 X
1,883,681	10/1932	Gage	.....	362/249
2,269,554	1/1942	Rolph	.....	D26/120 X
2,710,333	6/1955	Yates	.....	362/80
2,748,255	5/1956	Decker	.....	362/236
2,920,184	1/1960	Kessler	.....	362/235 X
3,020,391	2/1962	Stiglin	.....	362/80
3,474,411	10/1969	Collins	.	
4,745,525	5/1988	Sheehy	.	
4,831,503	5/1989	DeSantis	.	
4,839,629	6/1989	Brown	.....	362/80 X

**FOREIGN PATENT DOCUMENTS**

787098 6/1935 France ..... 362/61

**OTHER PUBLICATIONS**

J. C. Whitney Catalog, 11-12-1987, p. 11, Multi-color display light.

*Primary Examiner*—Susan J. Lucas  
*Attorney, Agent, or Firm*—Price, Gess & Ubell

[57] **CLAIM**

The ornamental design for an auxiliary tailgate light for a truck or the like, as shown and described.

**DESCRIPTION**

FIG. 1 is a front perspective view of an auxiliary tailgate light for a truck or the like showing my new design;

FIG. 2 is a left side elevational view thereof on an enlarged scale;

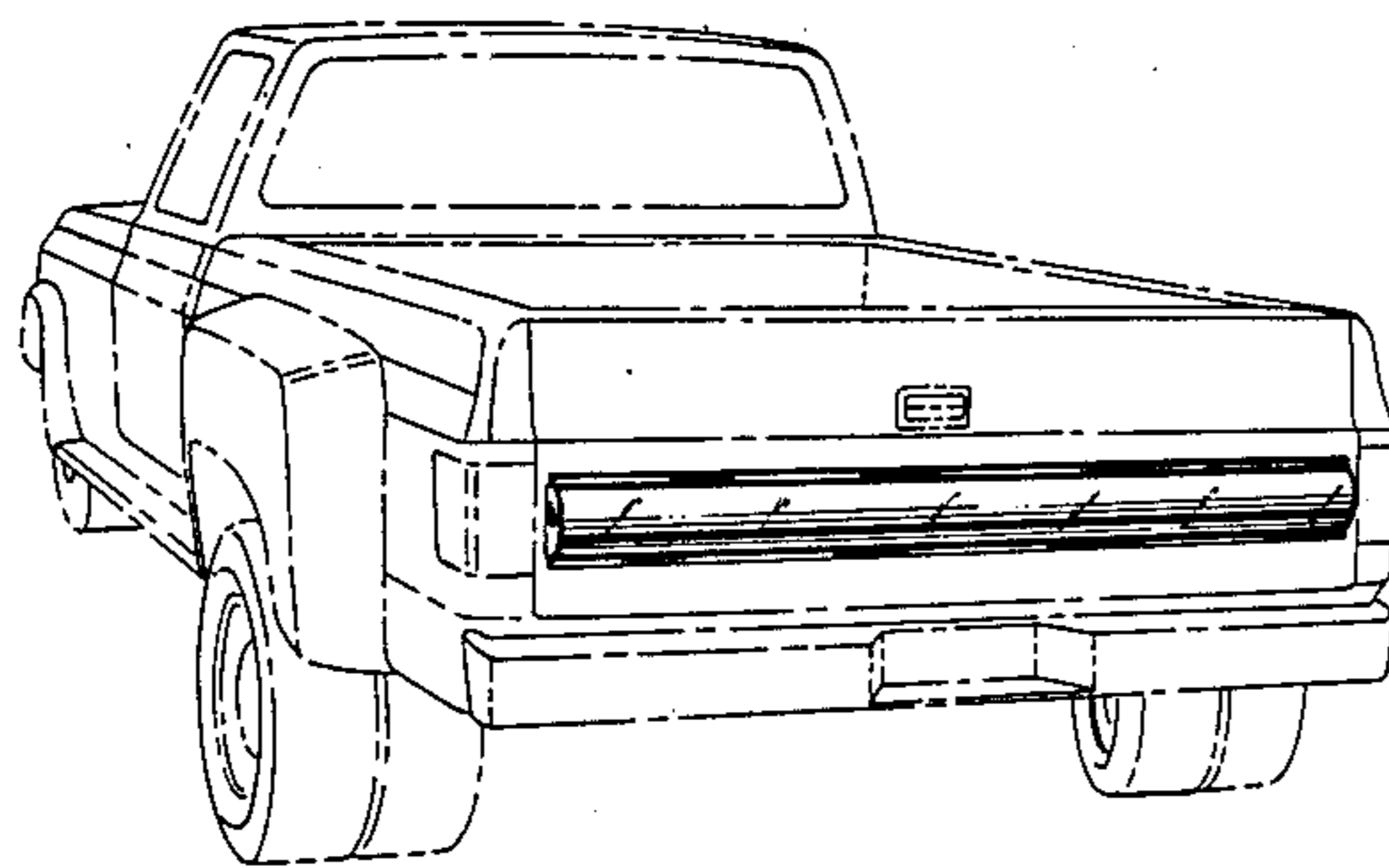
FIG. 3 is a right side elevational view thereof on an enlarged scale;

FIG. 4 is a fragmentary front elevational view thereof on an enlarged scale;

FIG. 5 is a fragmentary top plan view thereof on an enlarged scale, and

FIG. 6 is a fragmentary rear elevational view thereof on an enlarged scale.

The truck is shown in broken lines in FIG. 1 for illustrative purposes only. FIGS. 4, 5, and 6 are broken away for convenience of illustration.



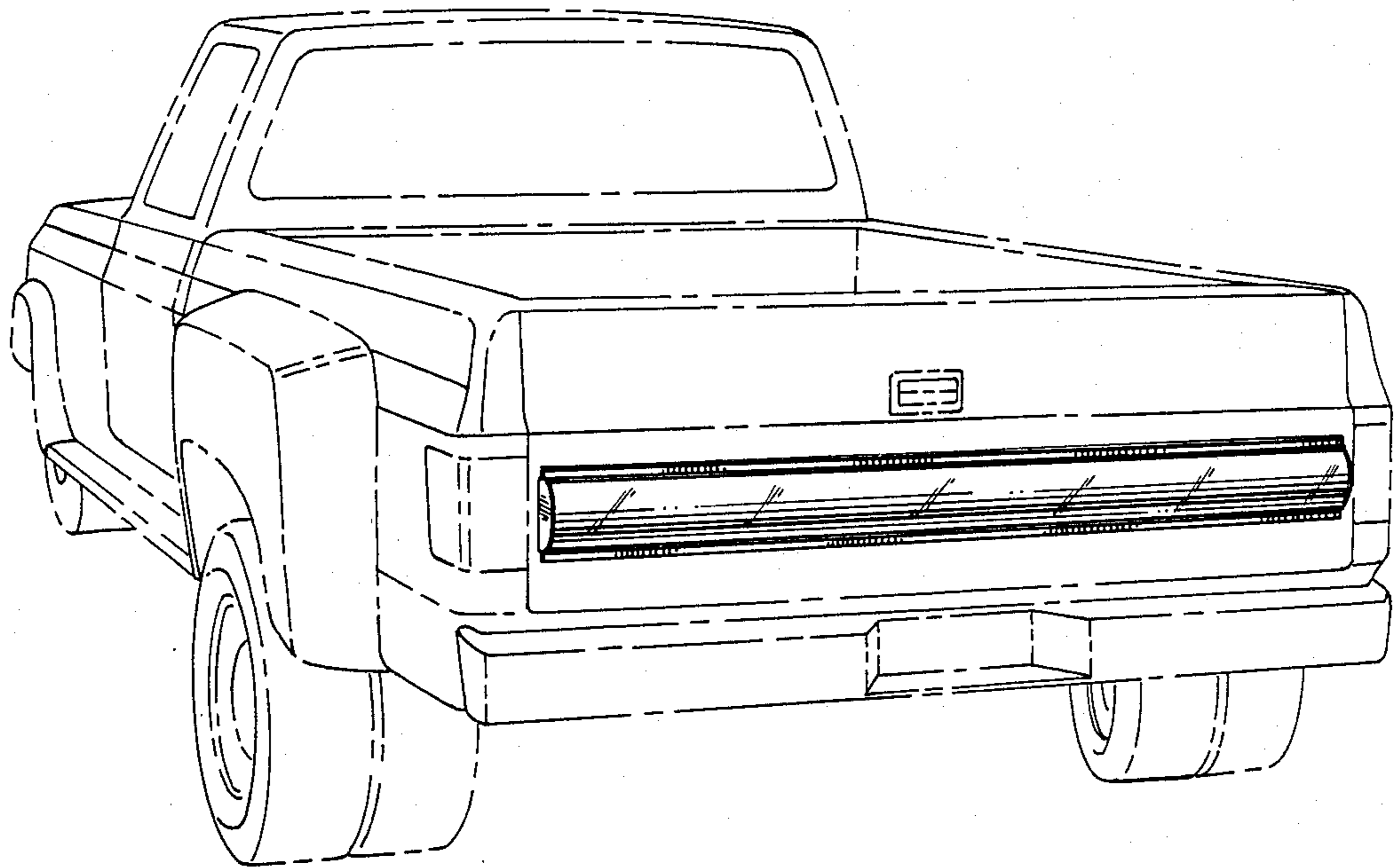


FIG. 1



FIG. 2



FIG. 3

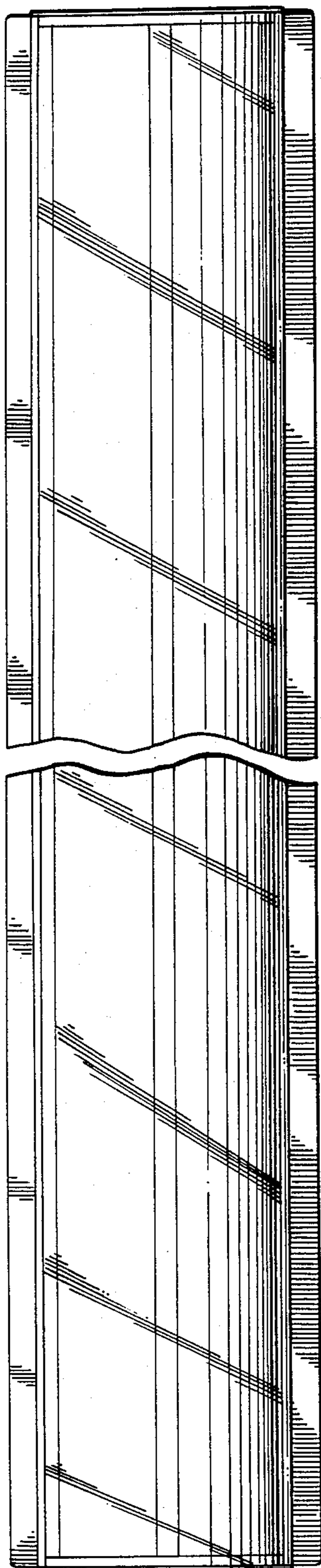


FIG. 4



FIG. 5

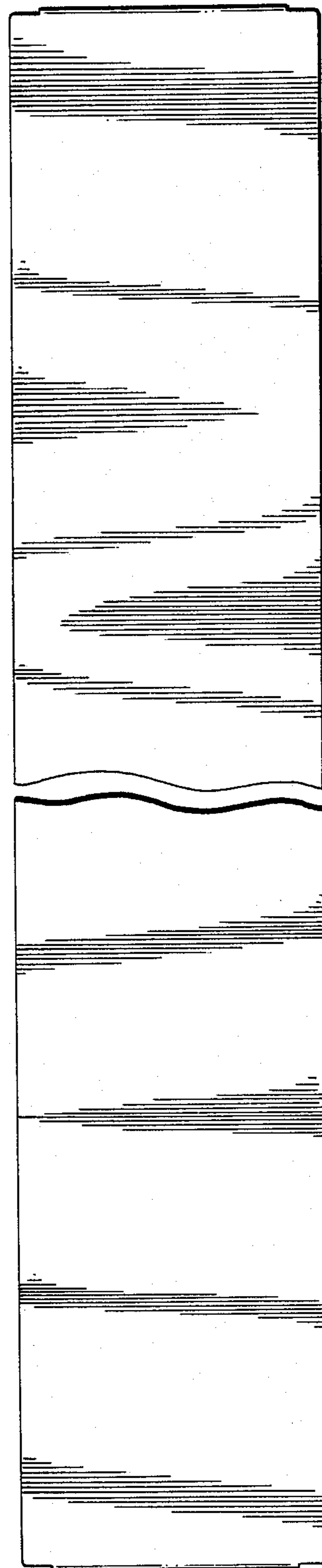


FIG. 6