

- [54] EXTRUDED MASTER FRAME WINDOW JAMB
- [76] Inventor: Leon F. Slocomb, Jr., 2641 W. Robino Dr., Wilmington, Del. 19808
- [**] Term: 14 Years
- [21] Appl. No.: 395,471
- [22] Filed: Aug. 18, 1989
- [52] U.S. Cl. D25/124
- [58] Field of Search D25/47, 52, 60, 119, D25/121, 122, 124; 49/DIG. 1, DIG. 2, 501, 502, 504; 52/730, 731, 732, 738

- [56] **References Cited**
- U.S. PATENT DOCUMENTS**
- D. 261,314 10/1981 Schmidt D25/124
- D. 285,613 9/1986 Slocomb, Jr. D25/124

3,975,881 8/1976 Ninowski, Jr. 49/501

Primary Examiner—A. Hugo Word
Assistant Examiner—Doris Clark
Attorney, Agent, or Firm—Connolly & Hutz

[57] **CLAIM**

The ornamental design for an extruded master frame window jamb, as shown and described.

DESCRIPTION

FIG. 1 is a bottom plan view of an extruded master frame window jamb showing my new design;
 FIG. 2 is a left side elevational view thereof;
 FIG. 3 is a right side elevational view thereof;
 FIG. 4 is an end elevational view taken from the top of FIG. 1;
 FIG. 5 is a top plan view thereof; and
 FIG. 6 is a bottom perspective view thereof.

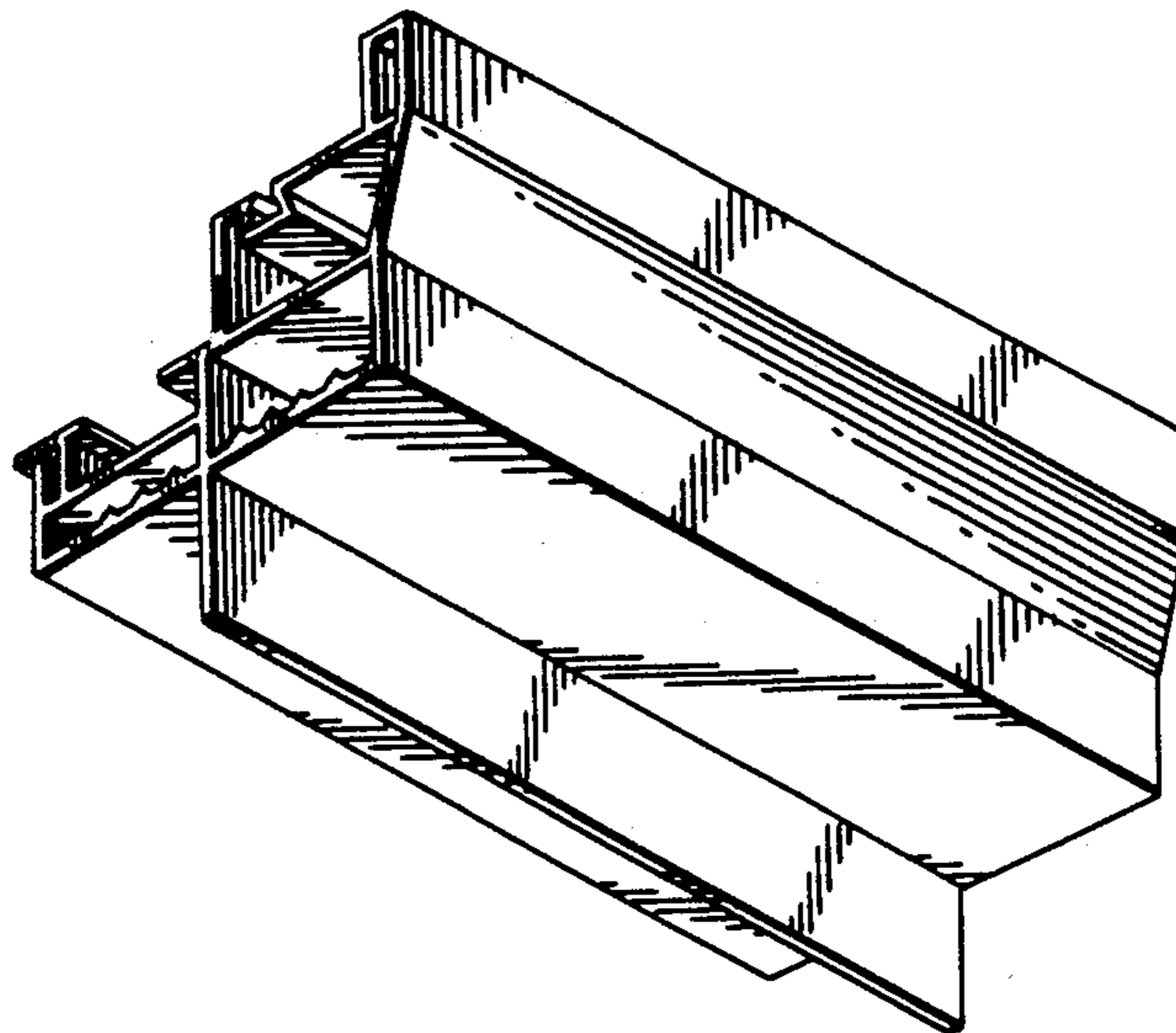


Fig. 4.

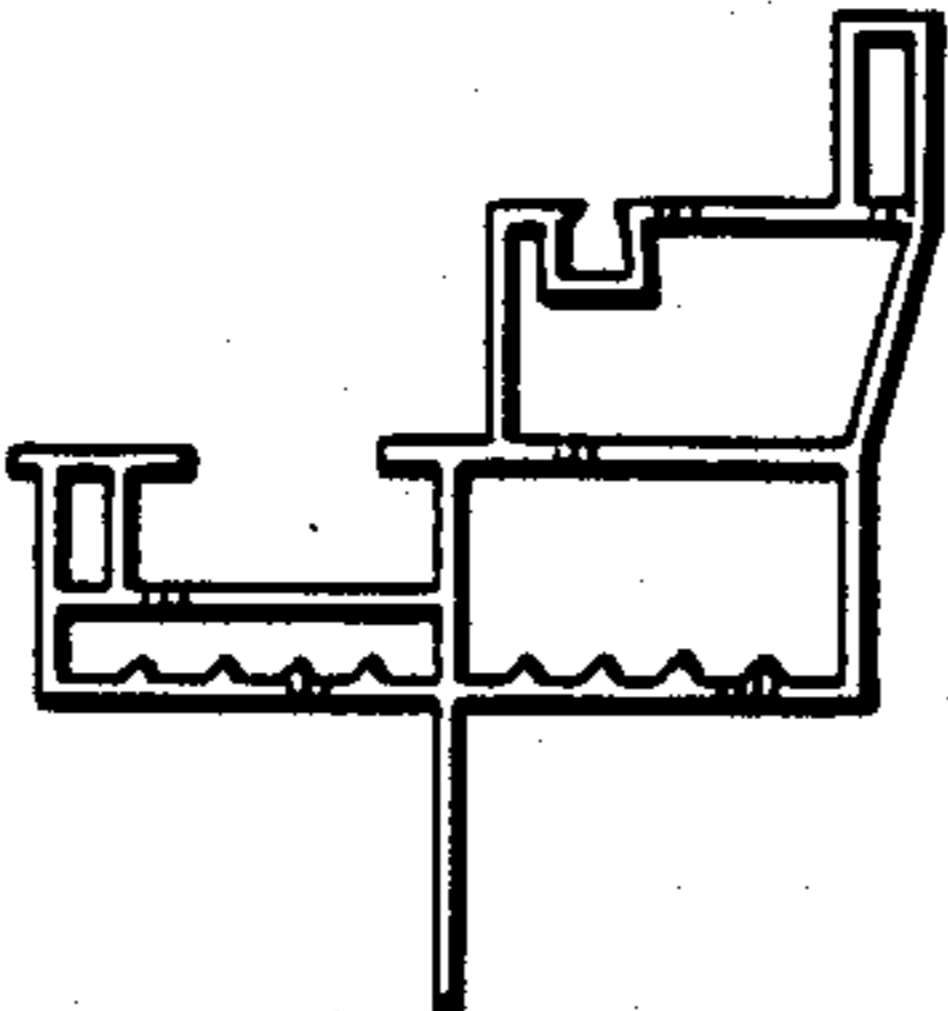


Fig. 2.

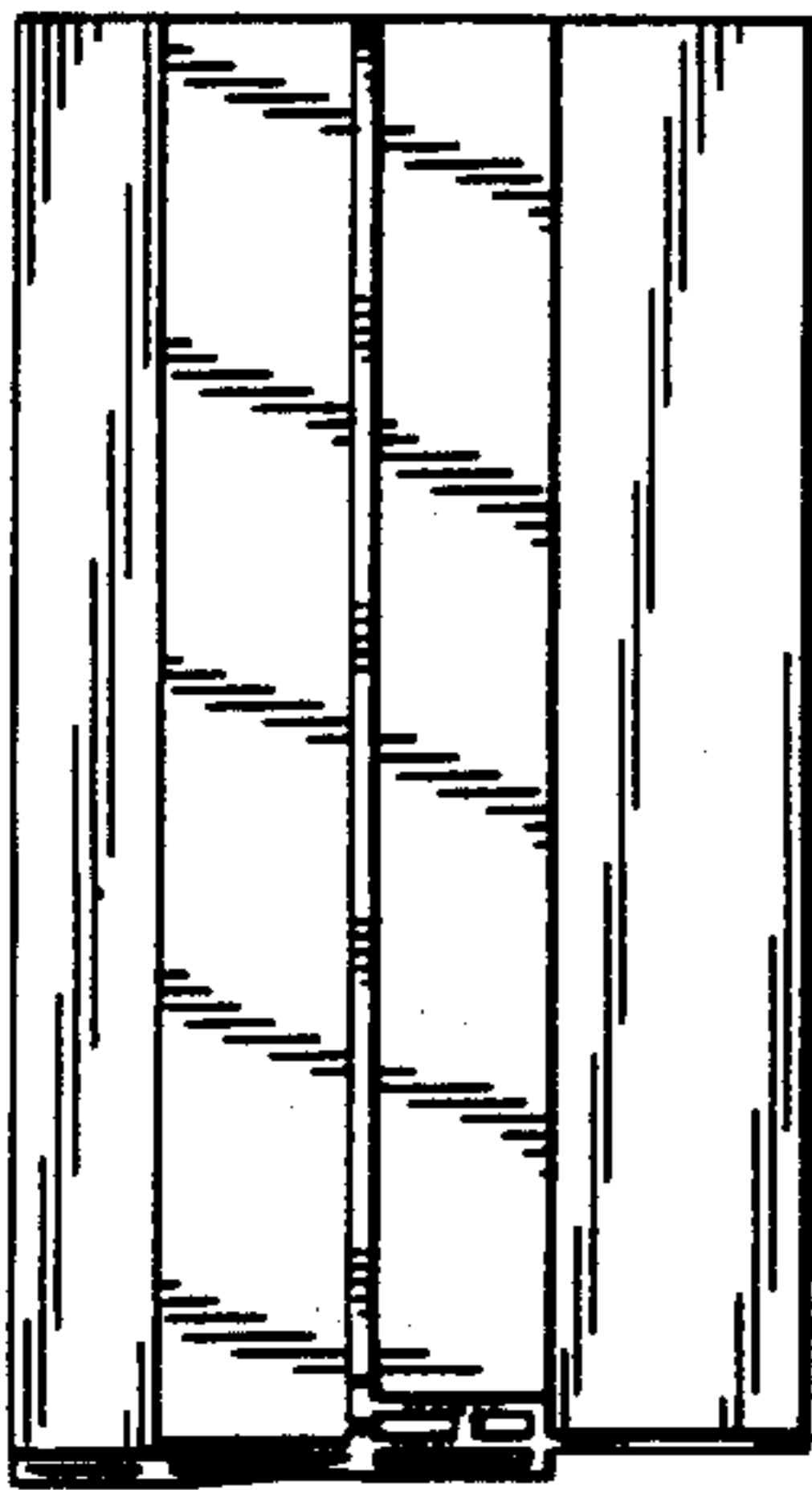


Fig. 1.

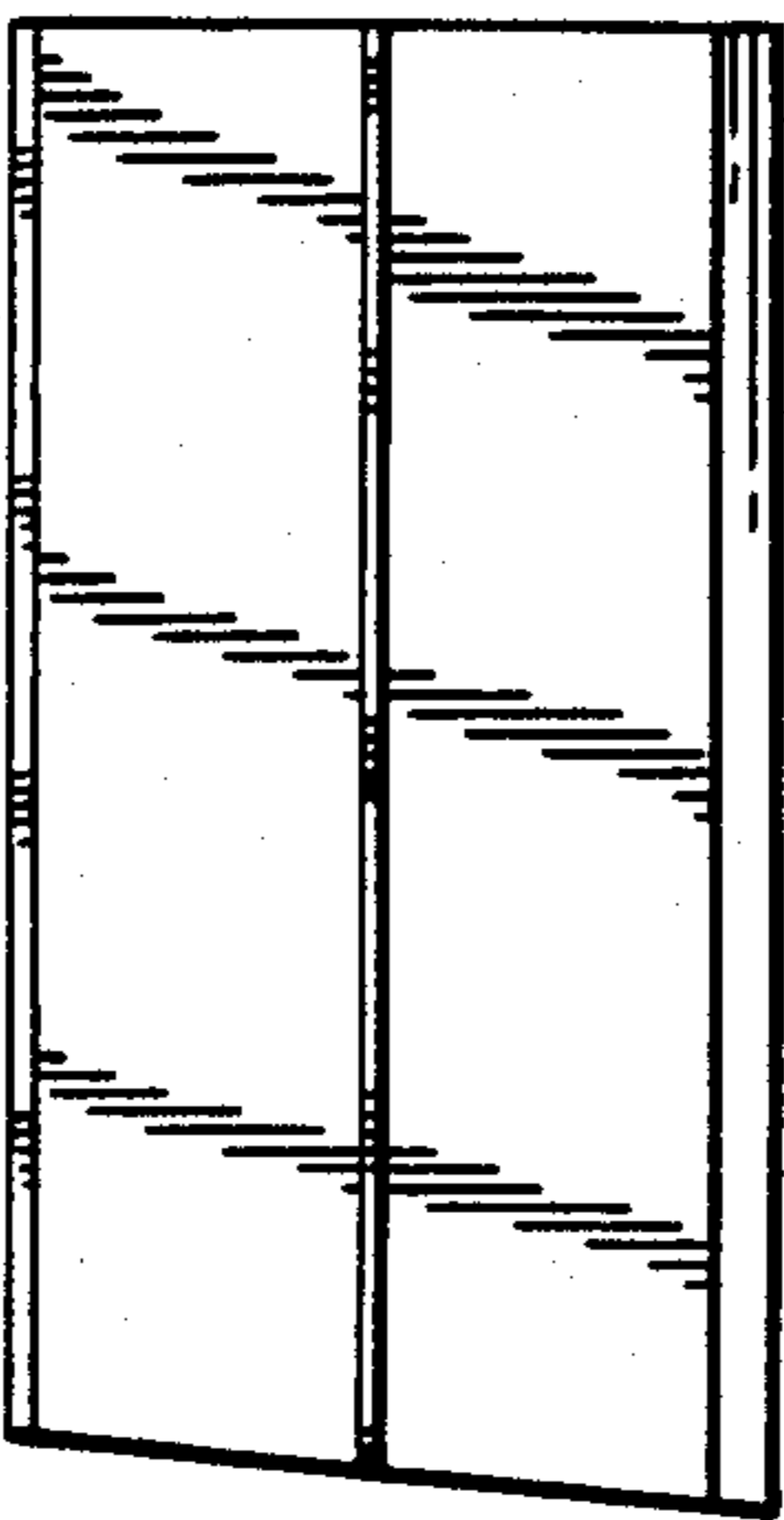


Fig. 3.



Fig. 5.

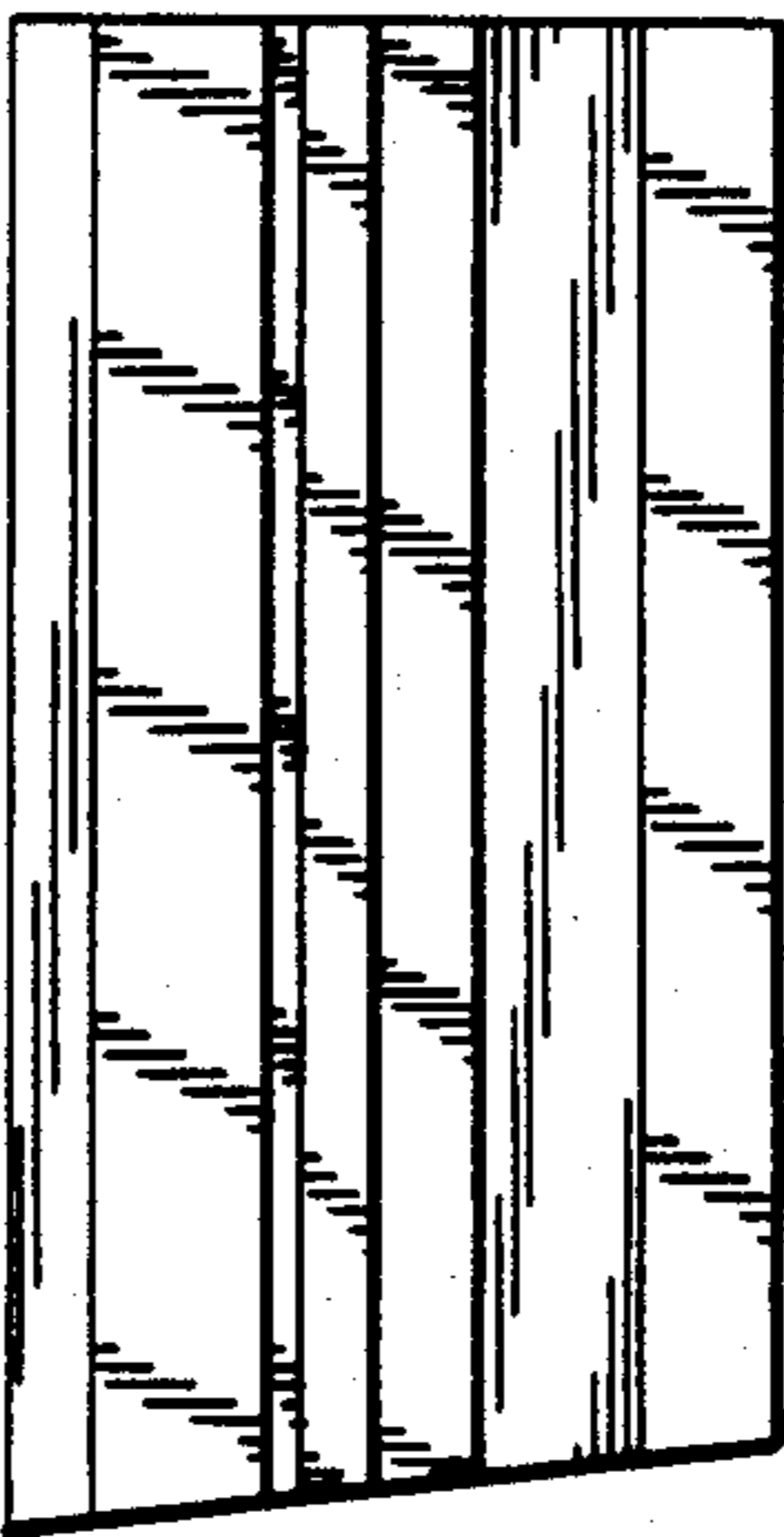


Fig. 6.

