

# United States Patent [19]

Whitney

[11] Patent Number: Des. 313,858

[45] Date of Patent: \*\* Jan. 15, 1991

[54] **SHOWER DOOR STILE**  
[75] Inventor: **John Whitney, Victoria, Australia**  
[73] Assignee: **Dowell Australia Limited, Victoria, Australia**  
[\*\*] Term: **14 Years**  
[21] Appl. No.: **81,171**  
[22] Filed: **Aug. 4, 1987**  
[52] U.S. Cl. .... **D25/119**  
[58] Field of Search ..... **D25/52, 119, 121, 47, D25/60, 53, 48, 124; 49/501, 504, DIG. 2; 52/729, 730, 732, 738, 823, 204**

[56] **References Cited**  
**U.S. PATENT DOCUMENTS**  
1,002,228 9/1911 Crittall ..... 52/732  
3,098,698 7/1963 Glynn ..... 49/501

3,303,581 2/1967 Levinson ..... D25/121  
3,458,955 8/1969 Brooks ..... 49/501  
3,526,074 9/1970 Miller ..... 52/732  
3,871,153 3/1975 Birm, Jr. .... 52/823  
4,333,283 6/1982 Ebata ..... 49/504

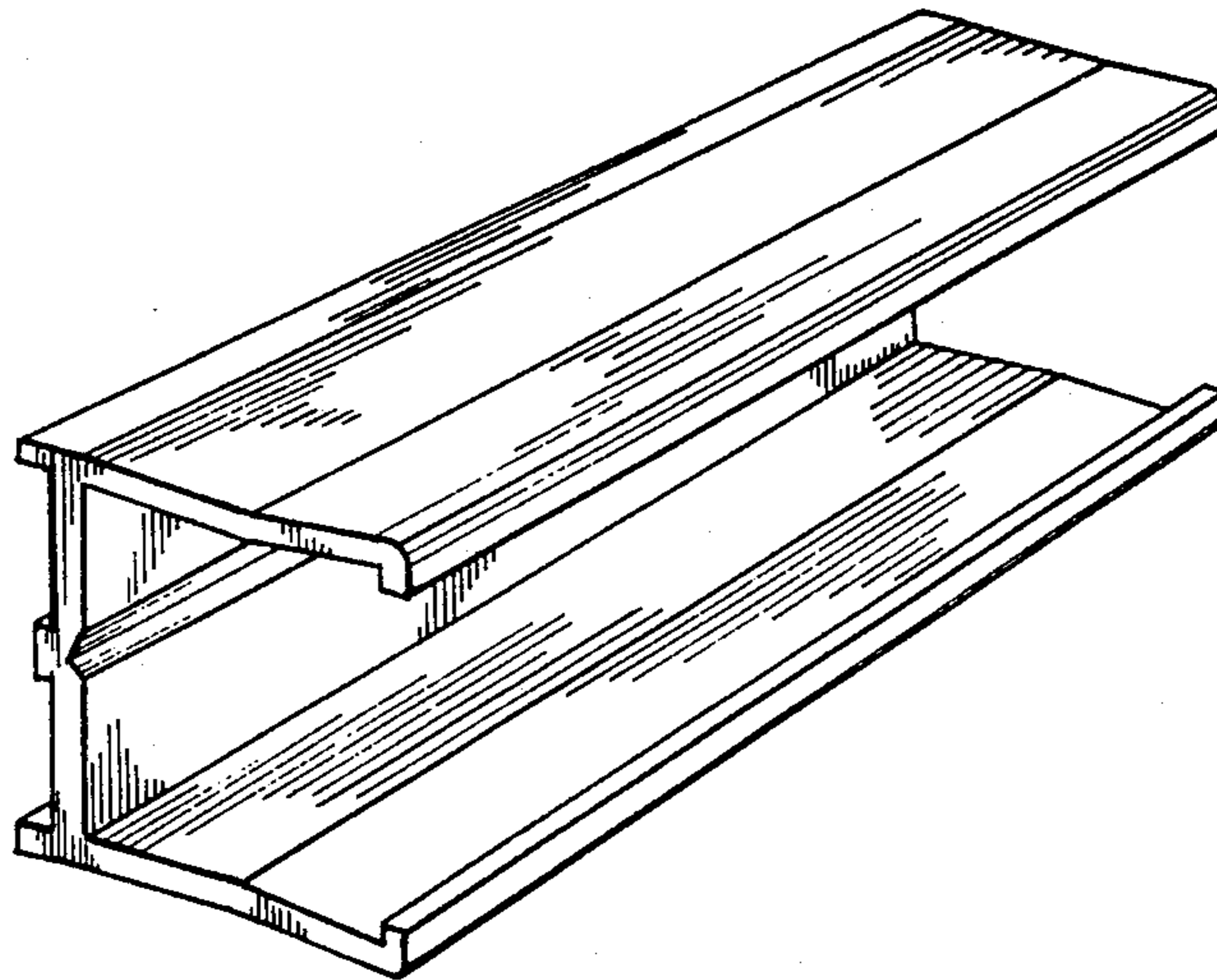
*Primary Examiner*—A. Hugo Word  
*Assistant Examiner*—Doris Clark  
*Attorney, Agent, or Firm*—Foley & Lardner, Schwartz, Jeffery, Schwaab, Mack, Blumenthal & Evans

## [57] CLAIM

The ornamental design for a shower door stile, as shown.

## DESCRIPTION

FIG. 1 is a top, front perspective view of the shower door stile showing my new design; FIG. 2 is a bottom, rear perspective view thereof, and FIG. 3 is an end elevational view thereof.



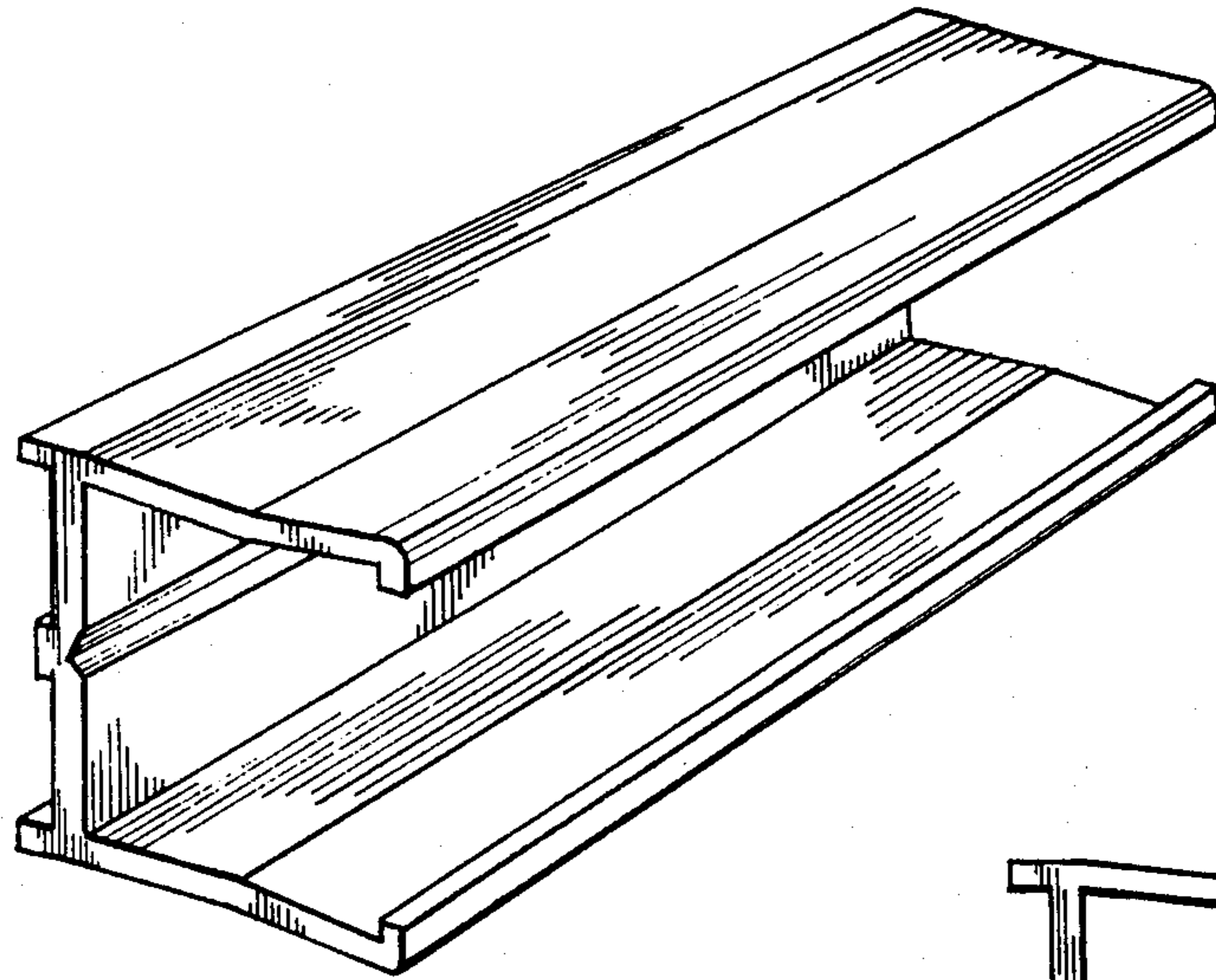


FIG. 1.

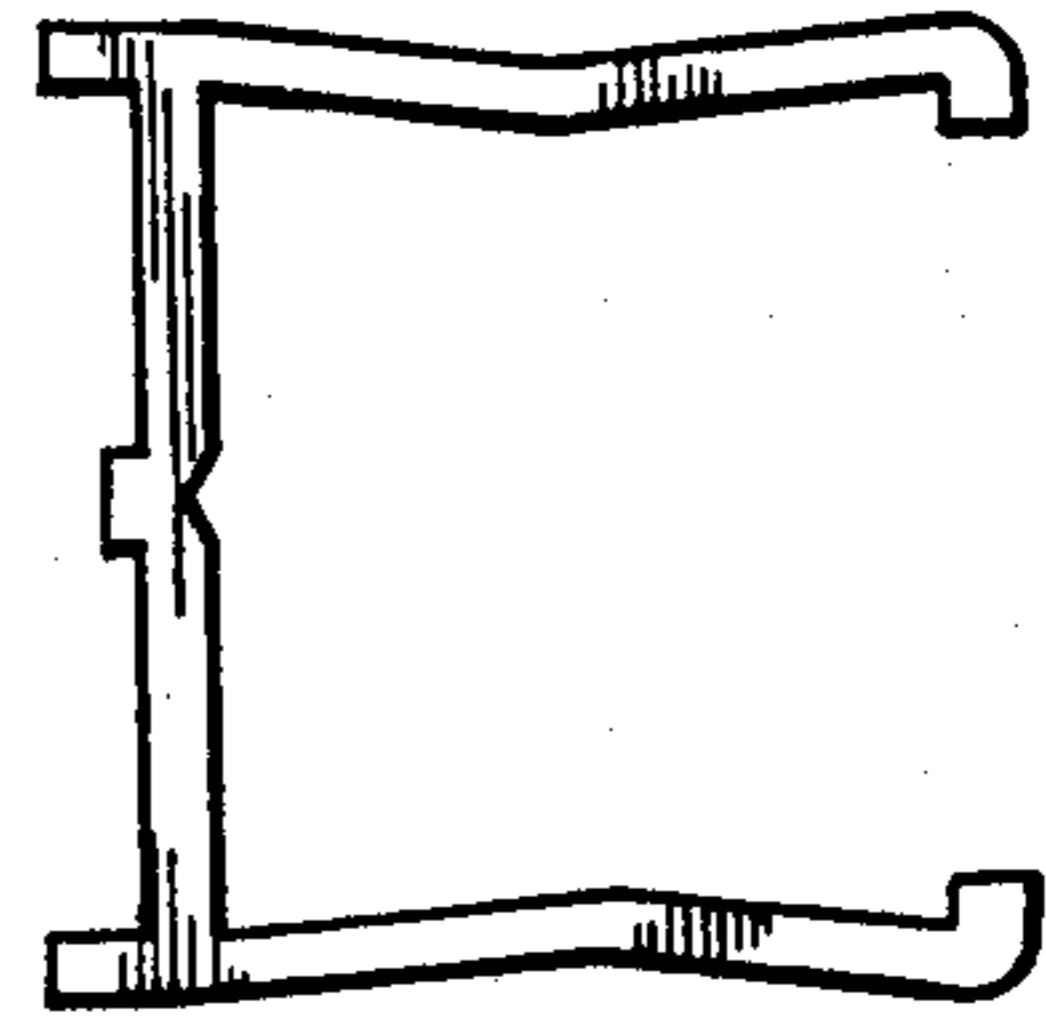


FIG. 3.

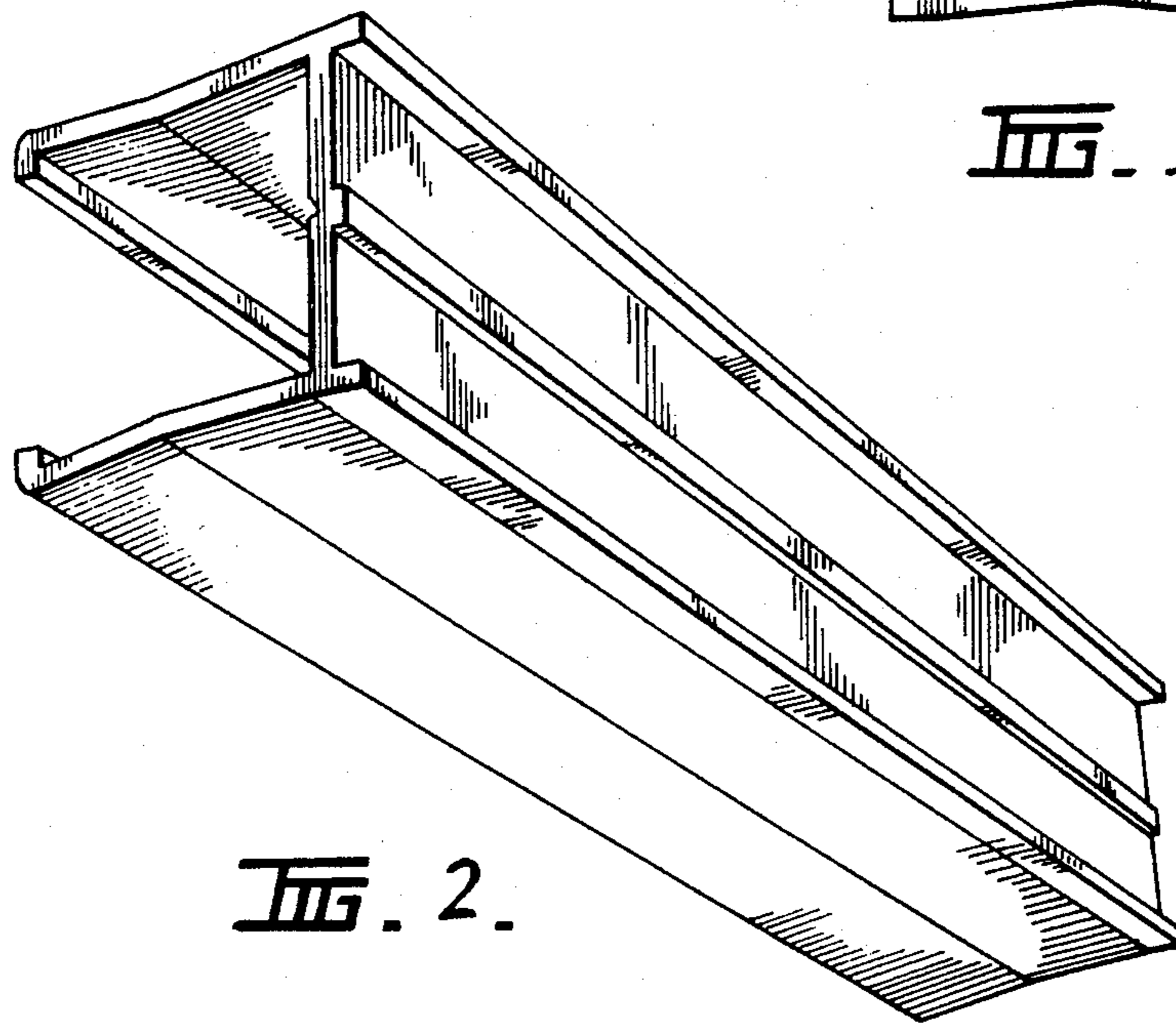


FIG. 2.