

United States Patent [19]

Corso

[11] Patent Number: Des. 313,848

[45] Date of Patent: ** Jan. 15, 1991

[54] BABY BOTTLE

[76] Inventor: Peter Corso, 1737 Yorktown Ave., Titusville, Fla. 32796

[**] Term: 14 Years

[21] Appl. No.: 304,340

[22] Filed: Jan. 31, 1989

[52] U.S. Cl. D24/47

[58] Field of Search D24/47, 46, 45; 215/11 R, 11.1-11.6; D9/369

[56] **References Cited**

U.S. PATENT DOCUMENTS

- 2,760,664 8/1956 D'Amico et al. D24/47 X
- 3,065,873 11/1962 Plate 215/11.1
- 3,945,524 3/1976 Tkaciukas 215/11.1

- 4,301,934 11/1981 Forestal 215/11.4
- 4,898,290 2/1990 Cueto 215/11.1

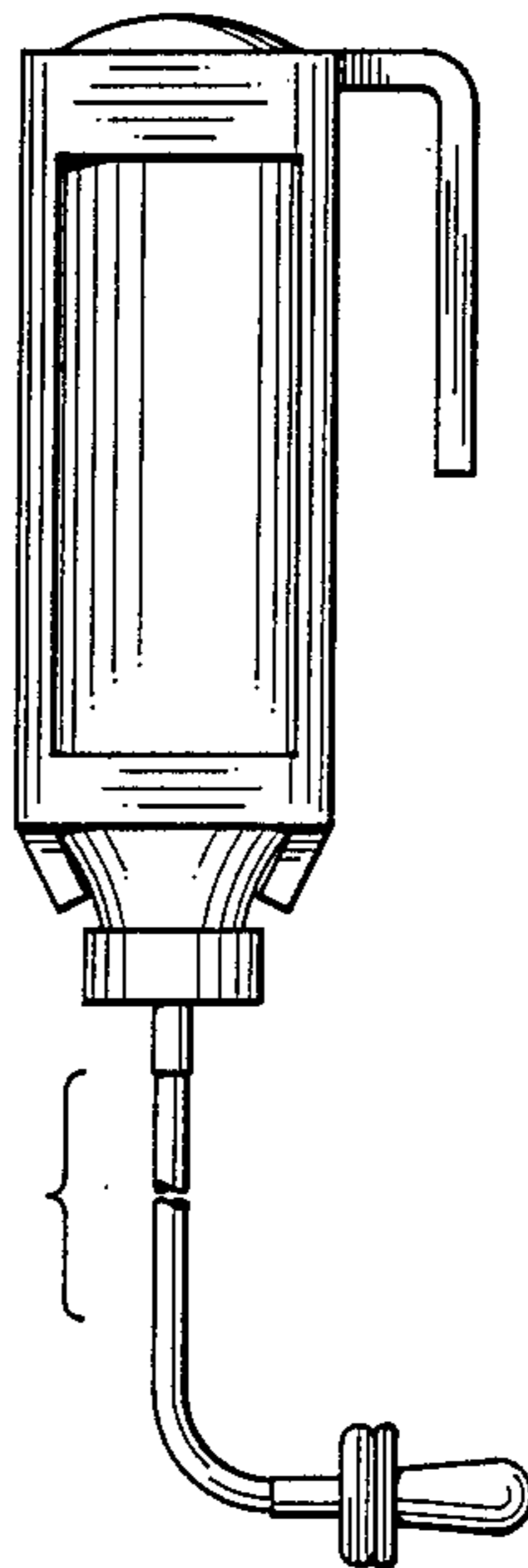
Primary Examiner—A. Hugo Word
Assistant Examiner—Stella M. Reid
Attorney, Agent, or Firm—Jerry T. Kearns

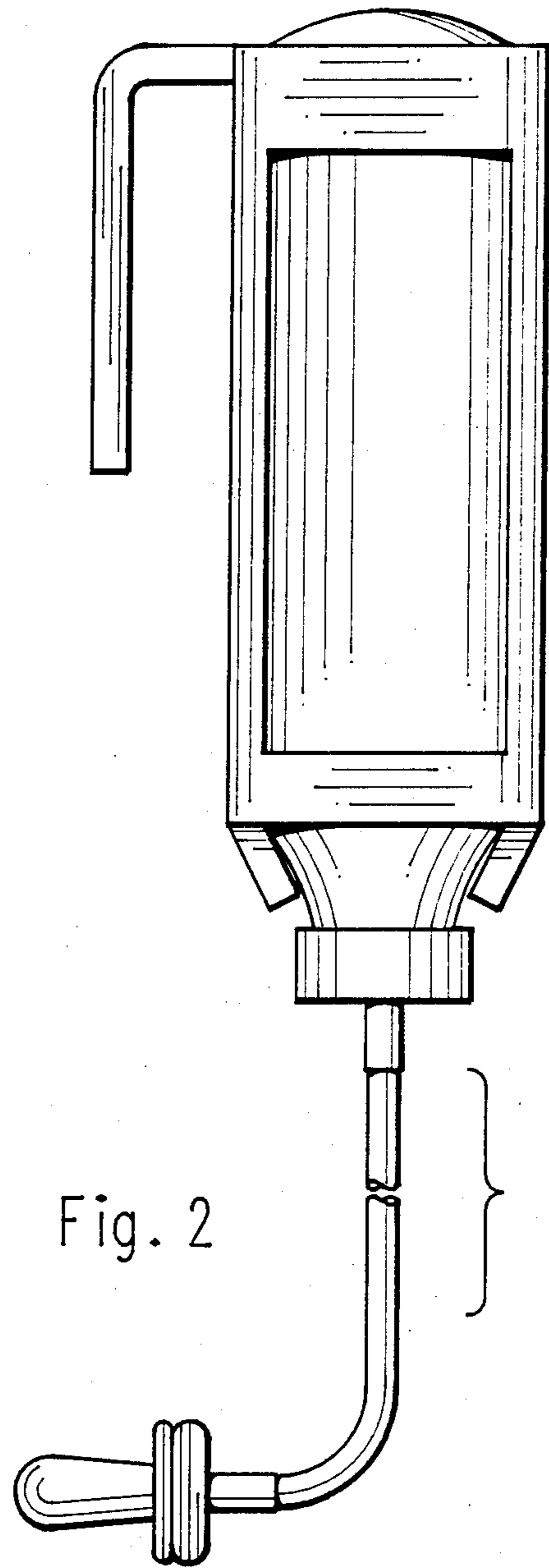
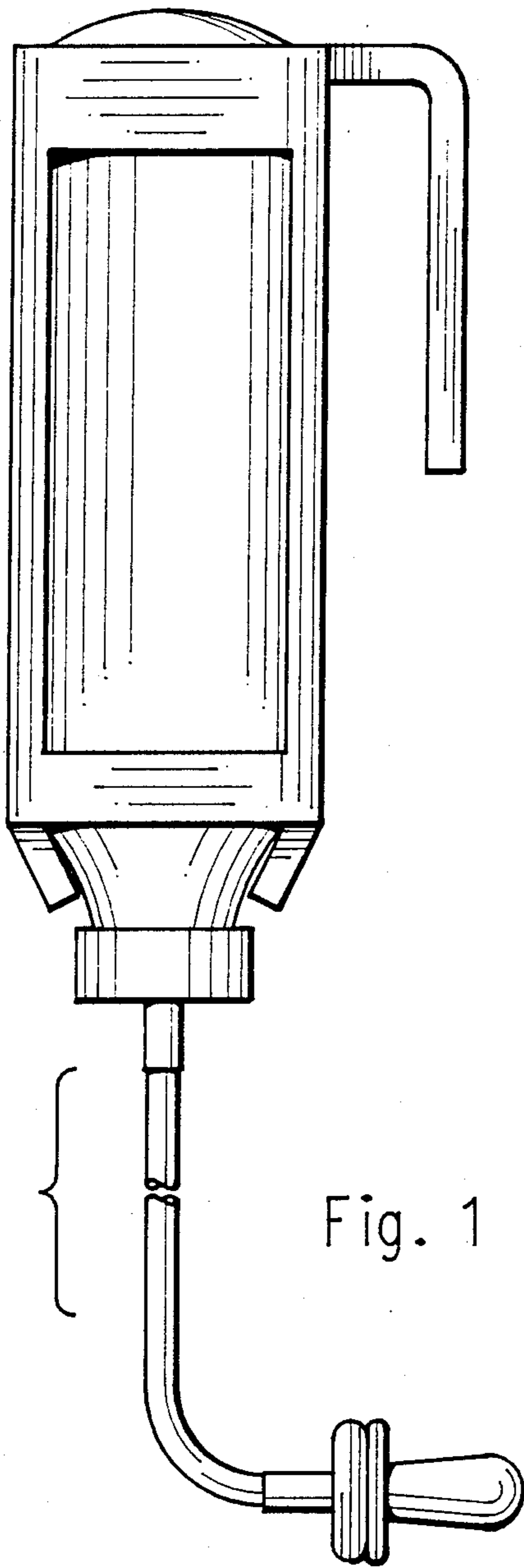
[57] **CLAIM**

The ornamental design for a baby bottle, as shown and described.

DESCRIPTION

FIG. 1 is a front elevational view of a baby bottle showing my new design;
FIG. 2 is a rear elevational view thereof;
FIG. 3 is a left side elevational view thereof;
FIG. 4 is a right side elevational view thereof;
FIG. 5 is a top plan view thereof; and,
FIG. 6 is a bottom plan view thereof.





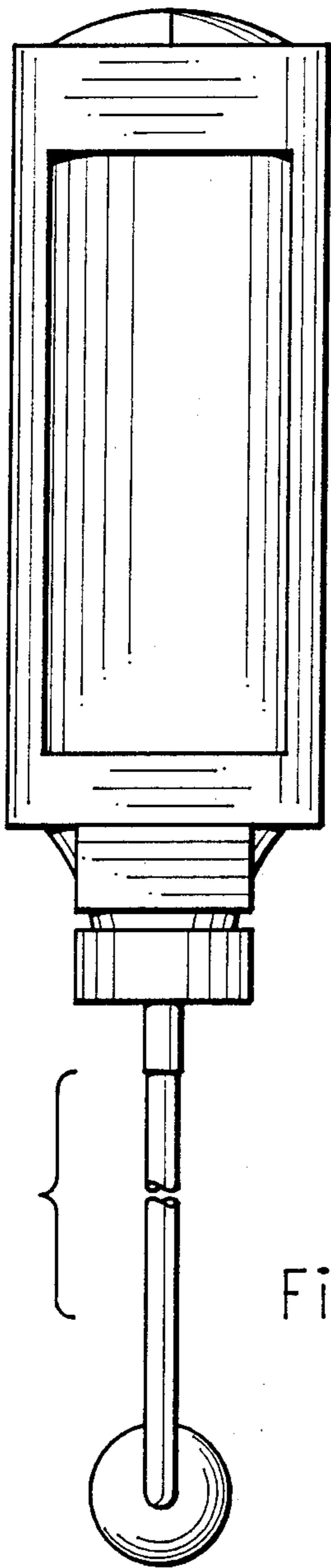


Fig. 3

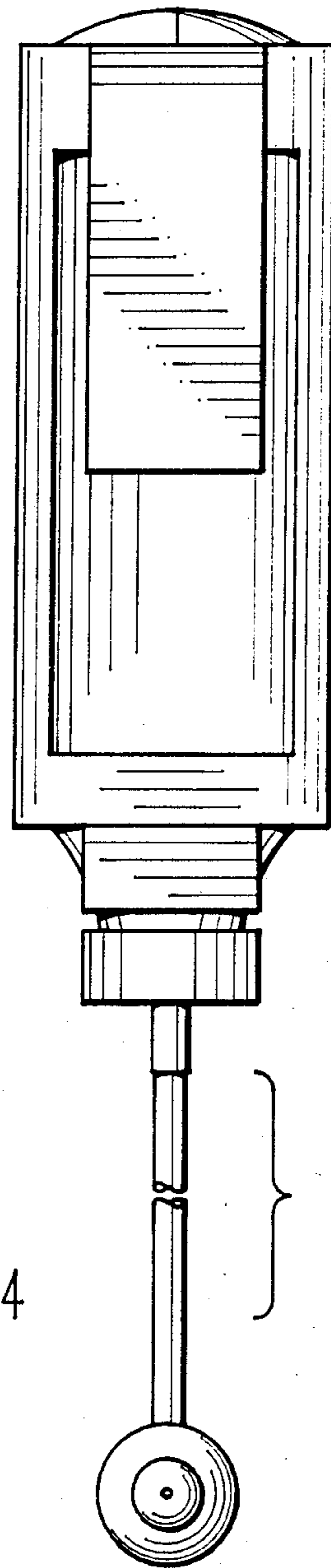


Fig. 4

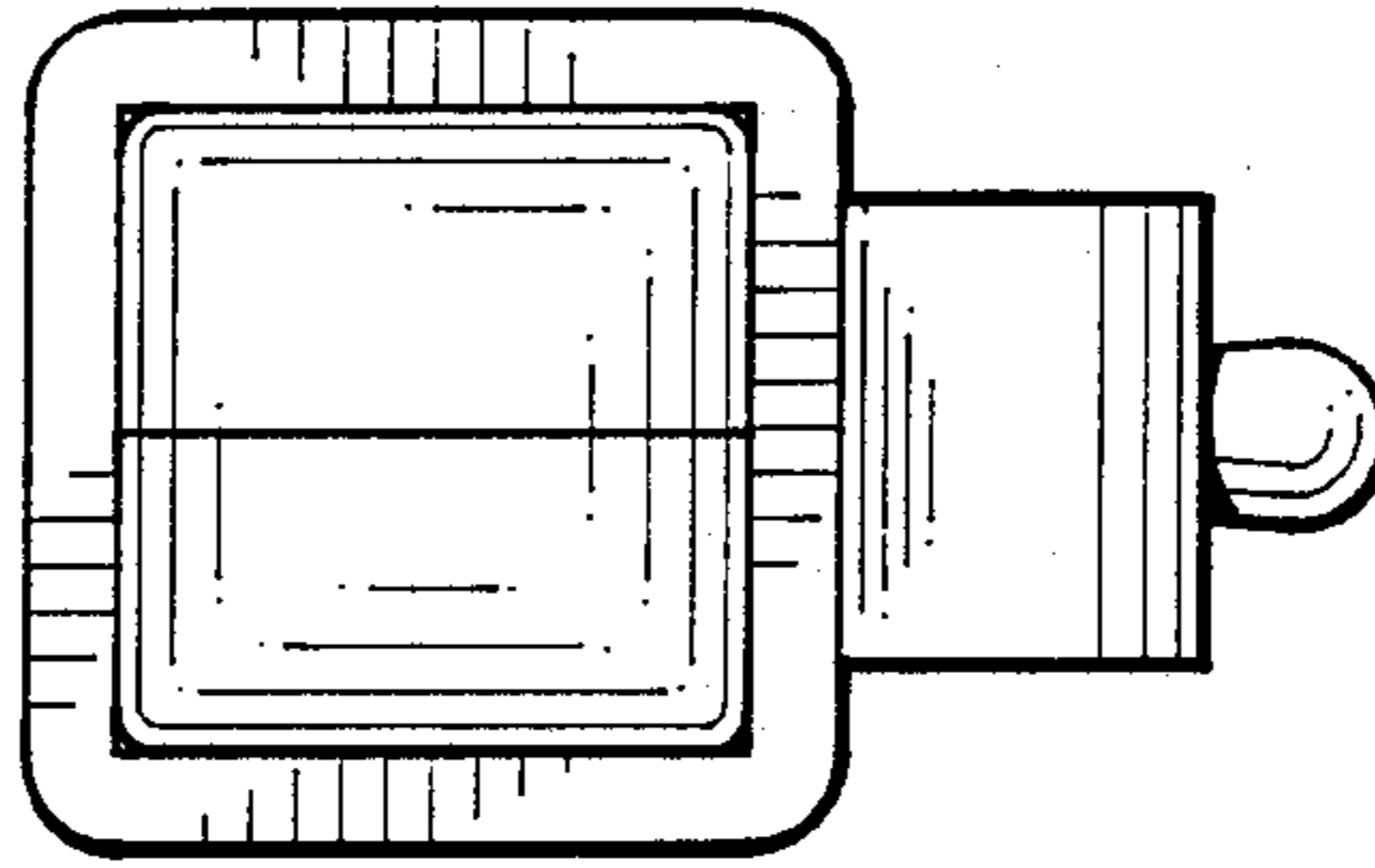


Fig. 5

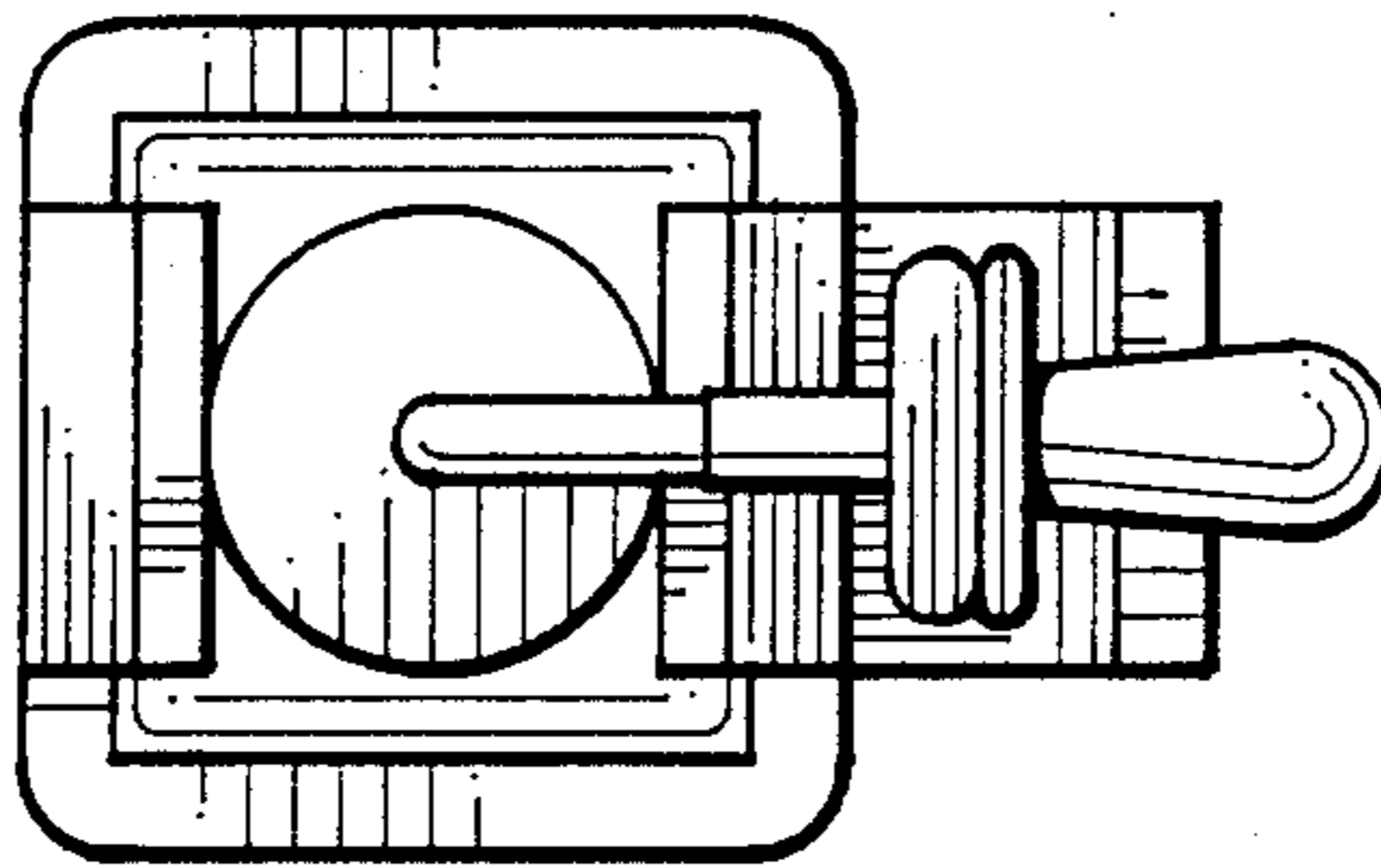


Fig. 6