

# United States Patent [19]

Sullivan et al.

[11] Patent Number: **Des. 313,846**

[45] Date of Patent: **\*\* Jan. 15, 1991**

[54] **DISPENSER FOR AIR FRESHENER**

[75] Inventors: **William E. Sullivan, Blythewood, S.C.; Richard H. Seager, Mystic, Conn.**

[73] Assignee: **Ecolab Inc., St. Paul, Minn.**

[\*\*] Term: **14 Years**

[21] Appl. No.: **406,743**

[22] Filed: **Sep. 13, 1989**

[52] U.S. Cl. .... **D23/366**

[58] Field of Search ..... **D23/366, 369; 219/276; 422/5, 104; 239/51.5, 55, 56, 57, 60, 58; 261/DIG. 65**

[56] **References Cited**

**U.S. PATENT DOCUMENTS**

D. 193,930	10/1962	Lewis	.....	D23/366
D. 254,932	5/1980	Butcher et al.	.....	D23/369
1,080,716	12/1913	Rand, Jr.	.....	239/55
2,614,820	10/1952	Boydjieff	.....	261/26
2,629,149	2/1953	Yaffe	.....	21/108
3,419,217	12/1968	White et al.	.....	239/58
3,522,935	8/1970	Lewis	.....	D23/366
3,575,346	4/1971	Roth	.....	239/57
3,711,023	1/1973	Smith	.....	239/54
3,990,848	11/1976	Corris	.....	21/126

3,993,444	11/1976	Brown	.....	21/126
4,035,451	7/1977	Tringali	.....	261/101
4,094,119	6/1978	Sullivan	.....	53/4
4,271,092	6/1981	Sullivan et al.	.....	261/30
4,276,236	6/1981	Sullivan et al.	.....	261/30
4,301,095	11/1981	Mettler et al.	.....	261/30
4,432,938	2/1984	Meetze, Jr.	.....	422/49
4,477,414	10/1984	Muramoto et al.	.....	422/125
4,529,125	7/1985	Sullivan	.....	239/56
4,695,434	9/1987	Spector	.....	422/116

*Primary Examiner*—James M. Gandy

*Assistant Examiner*—Lisa Lichtenstein

*Attorney, Agent, or Firm*—Merchant, Gould, Smith, Edell, Welter & Schmidt

[57] **CLAIM**

The ornamental design for a dispenser for air freshener, as shown and described.

**DESCRIPTION**

FIG. 1 is a front perspective view of a dispenser for air freshener showing our new design; FIG. 2 is an enlarged left side elevational view thereof, the right side being a mirror image thereof; FIG. 3 is an enlarged front elevational view thereof; FIG. 4 is an enlarged top plan view thereof; FIG. 5 is an enlarged rear elevational view thereof; and FIG. 6 is an enlarged bottom plan view thereof.

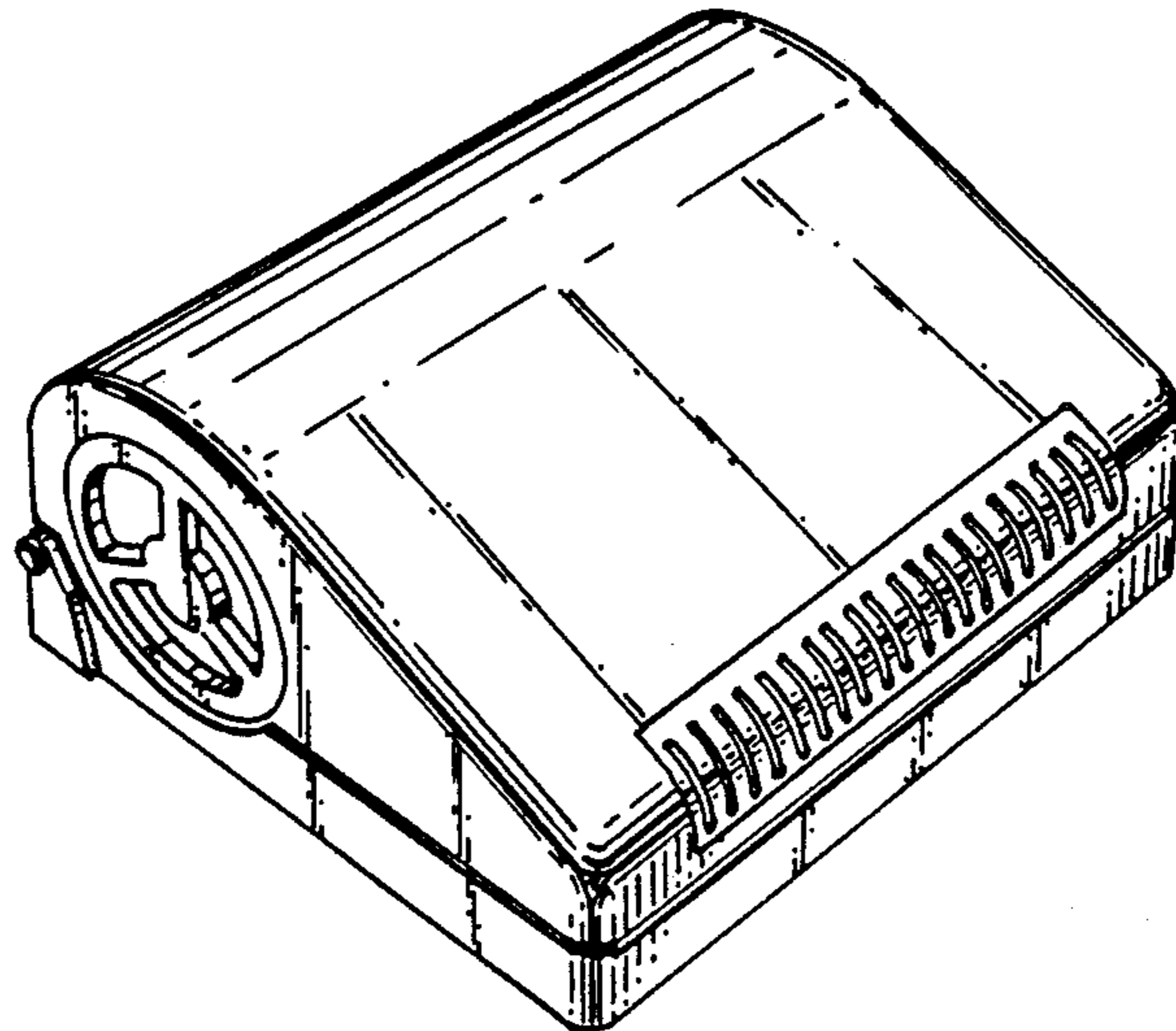


FIG. 1

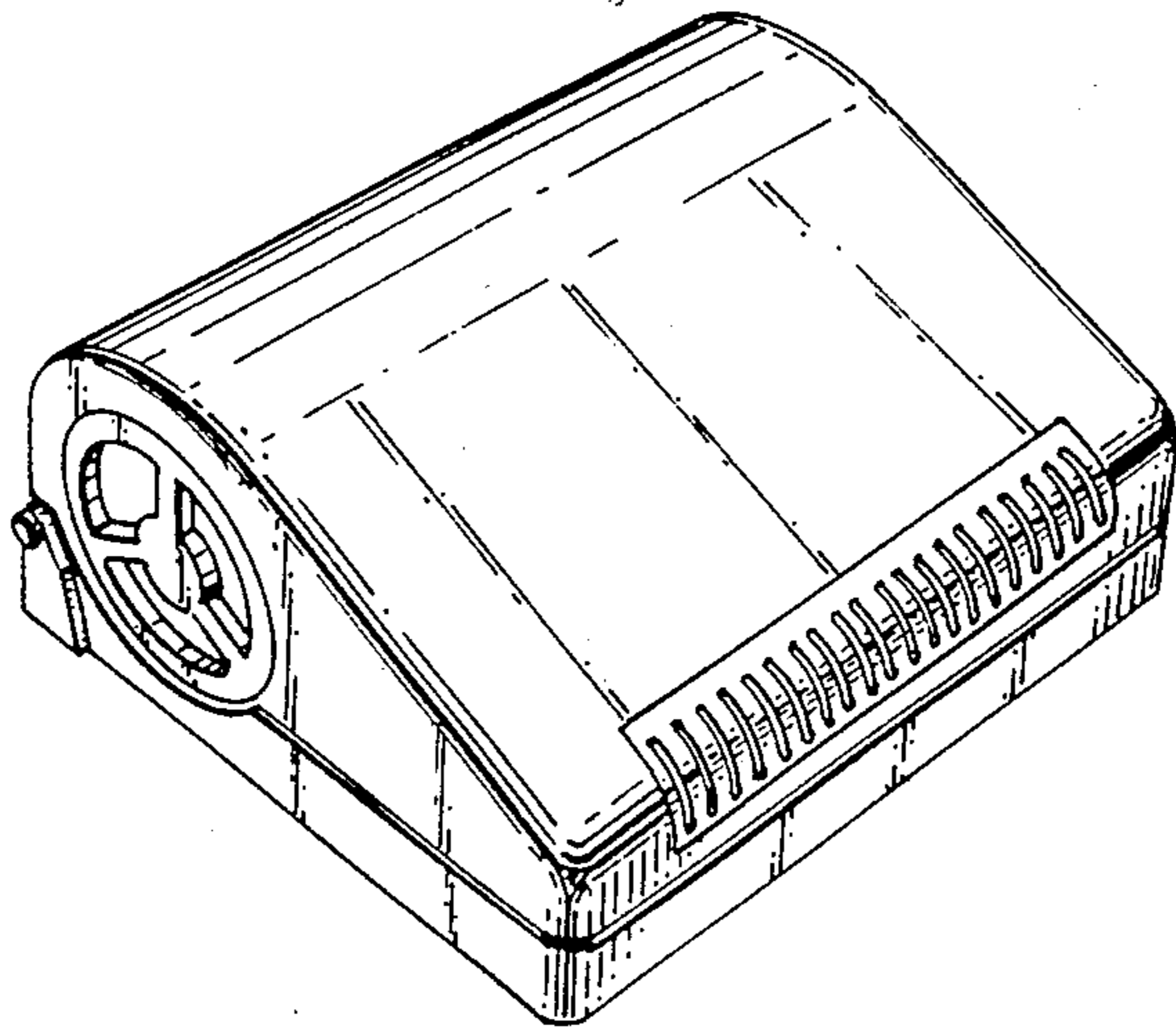


FIG. 2

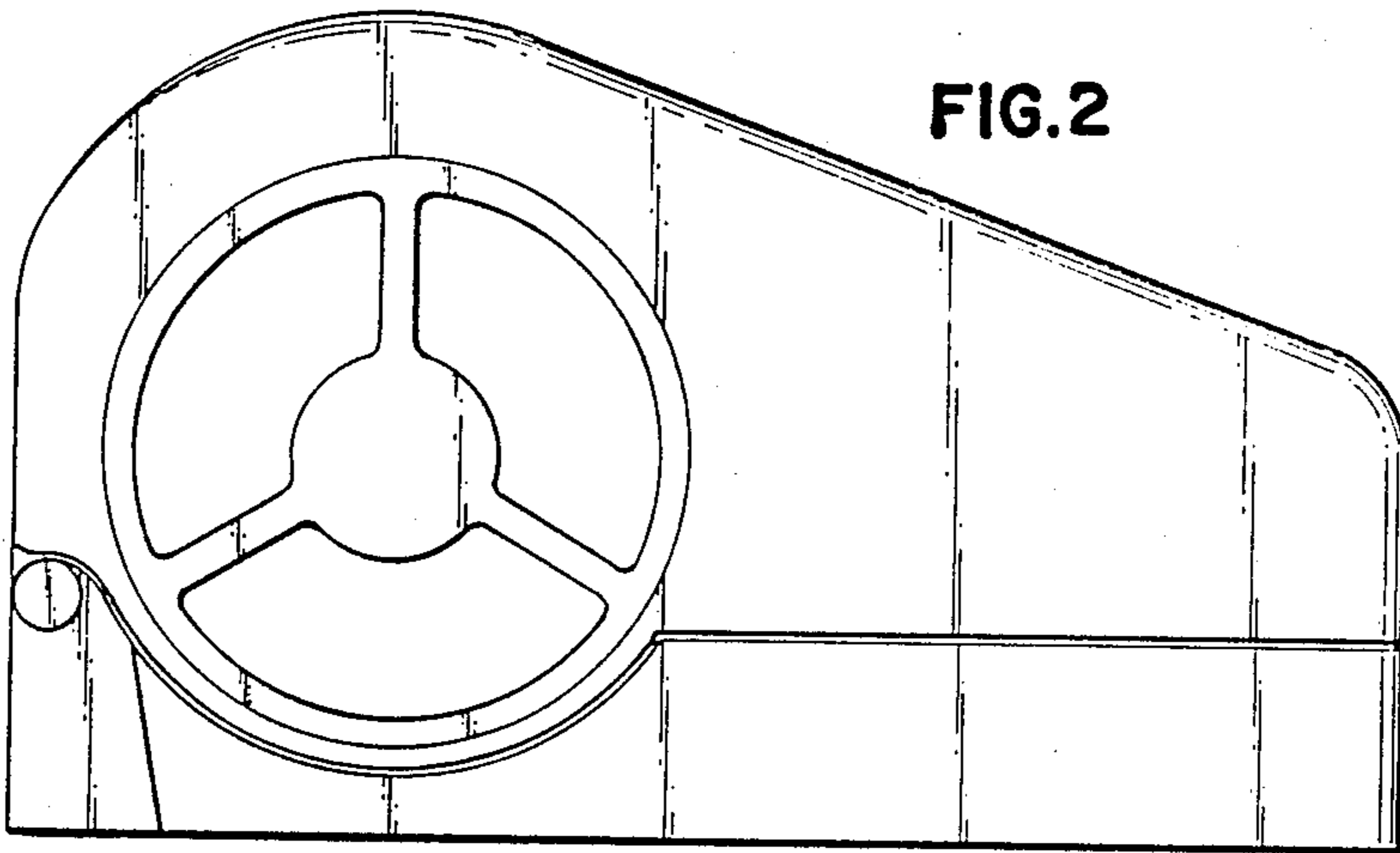


FIG. 3

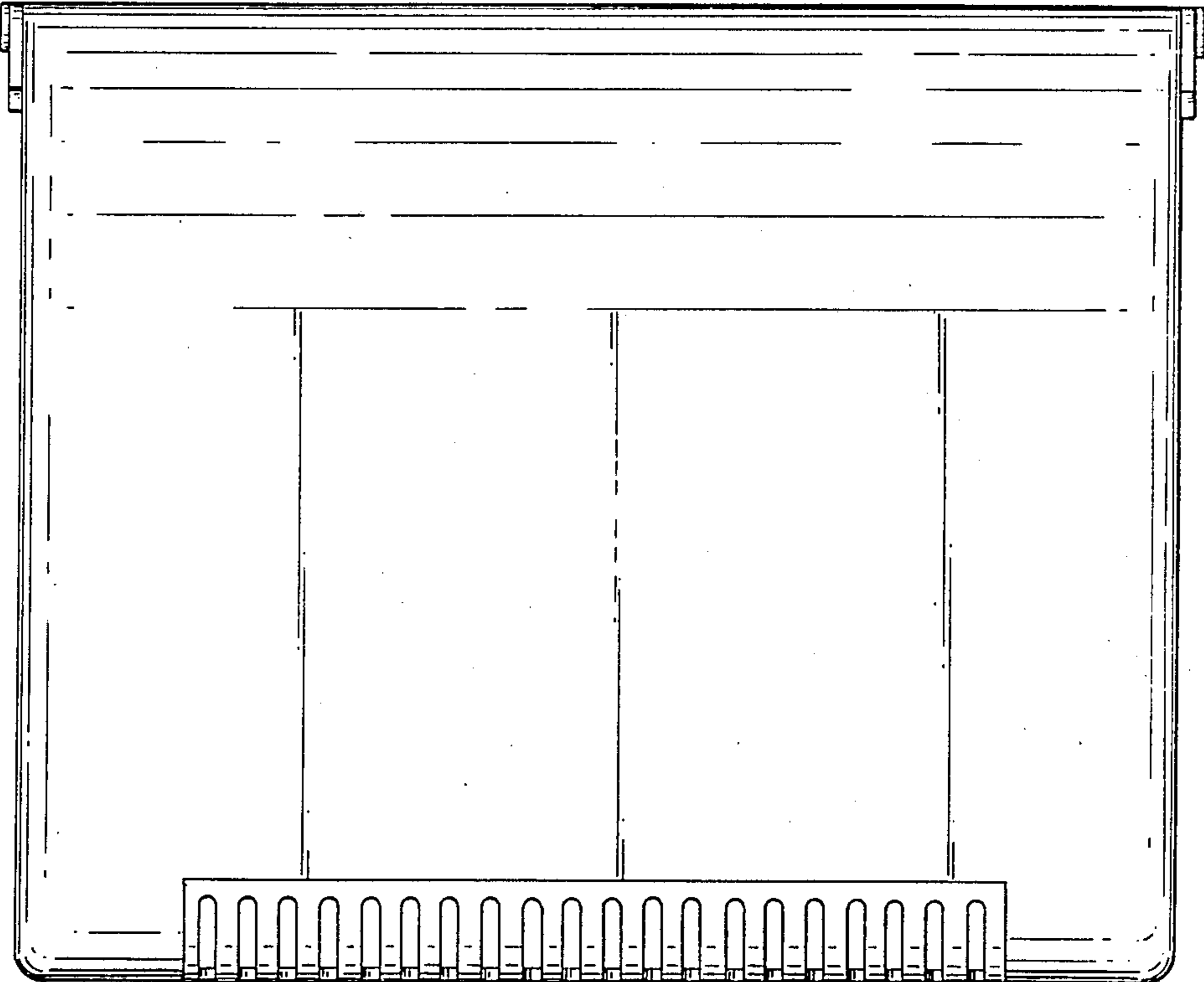
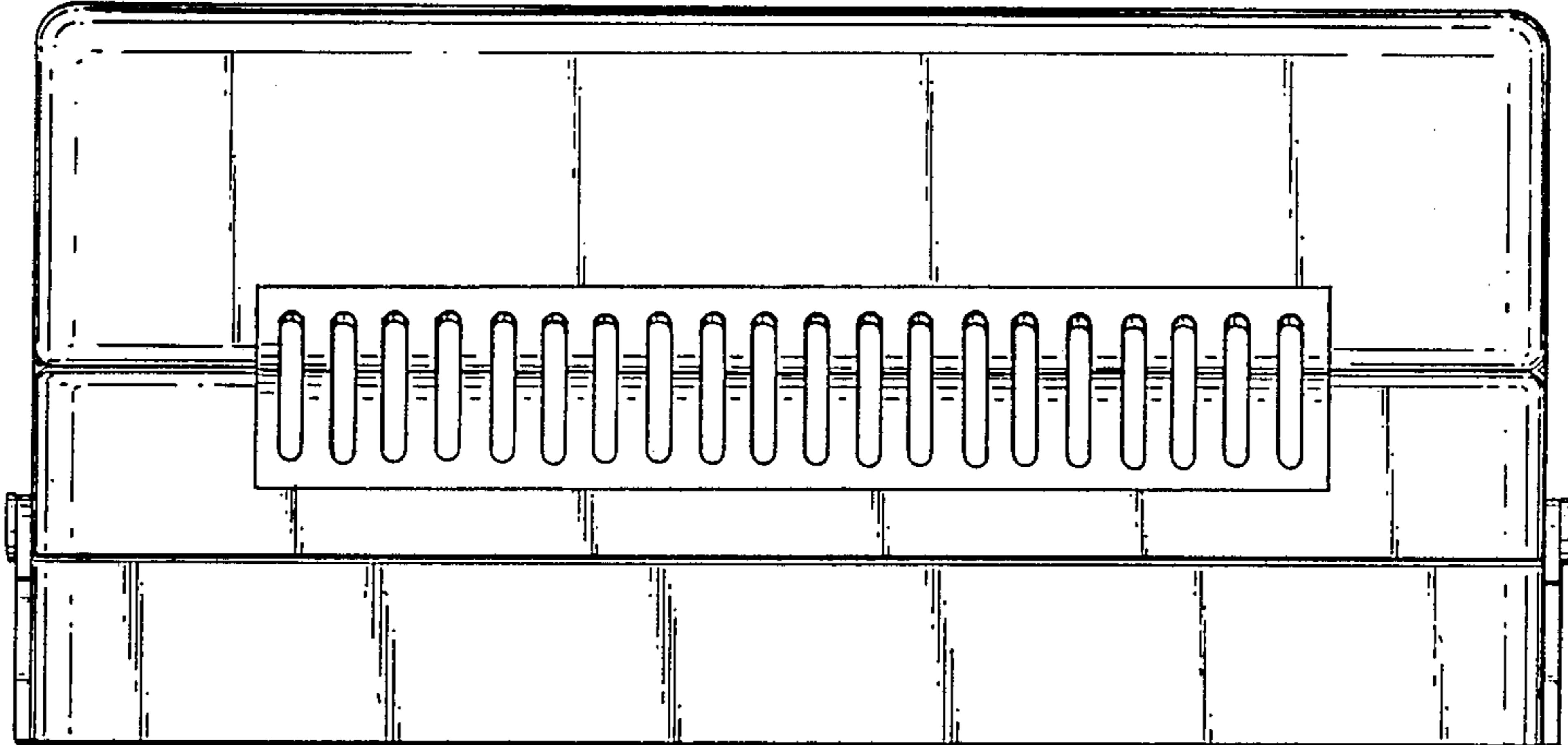


FIG. 4

FIG. 5

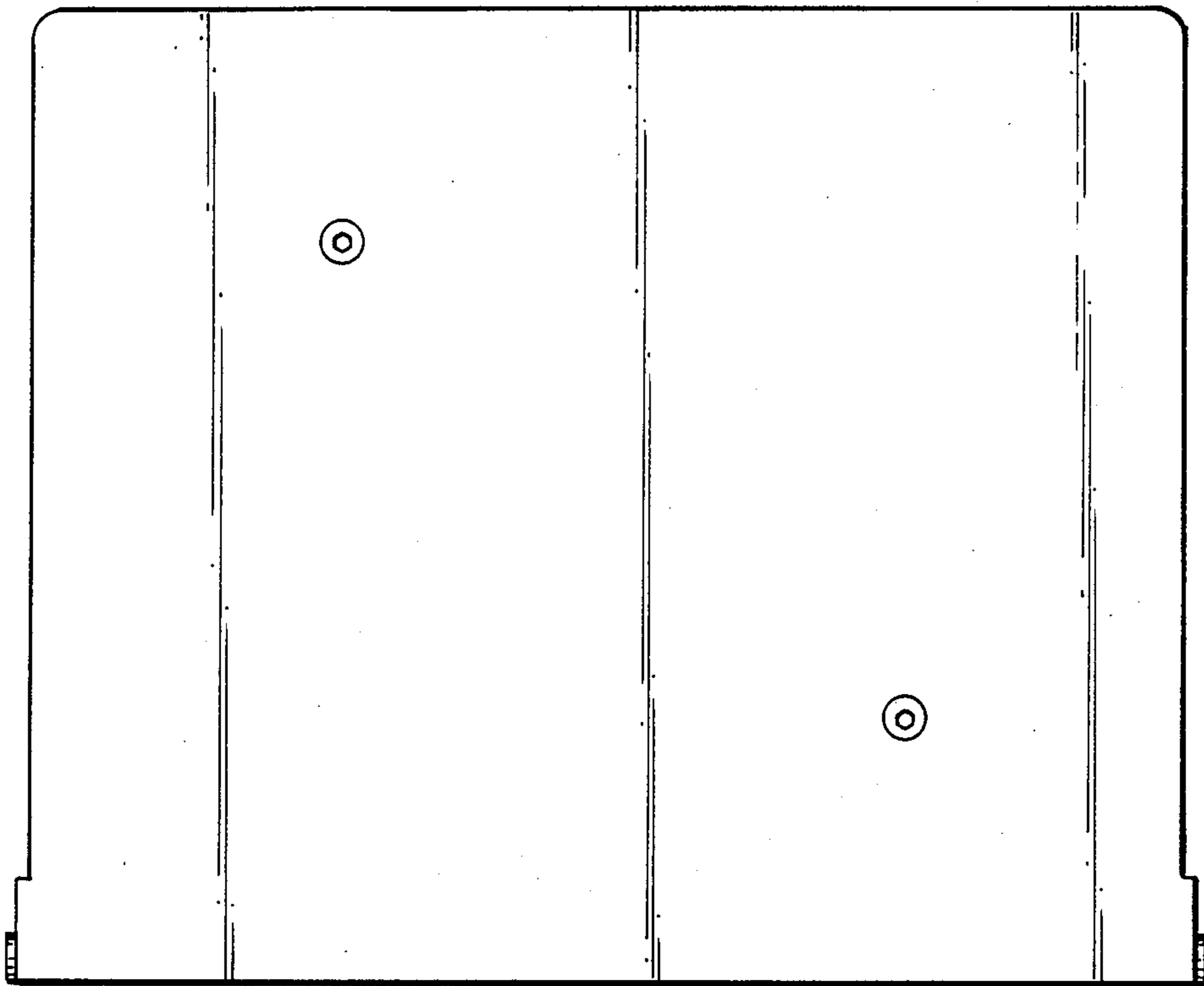
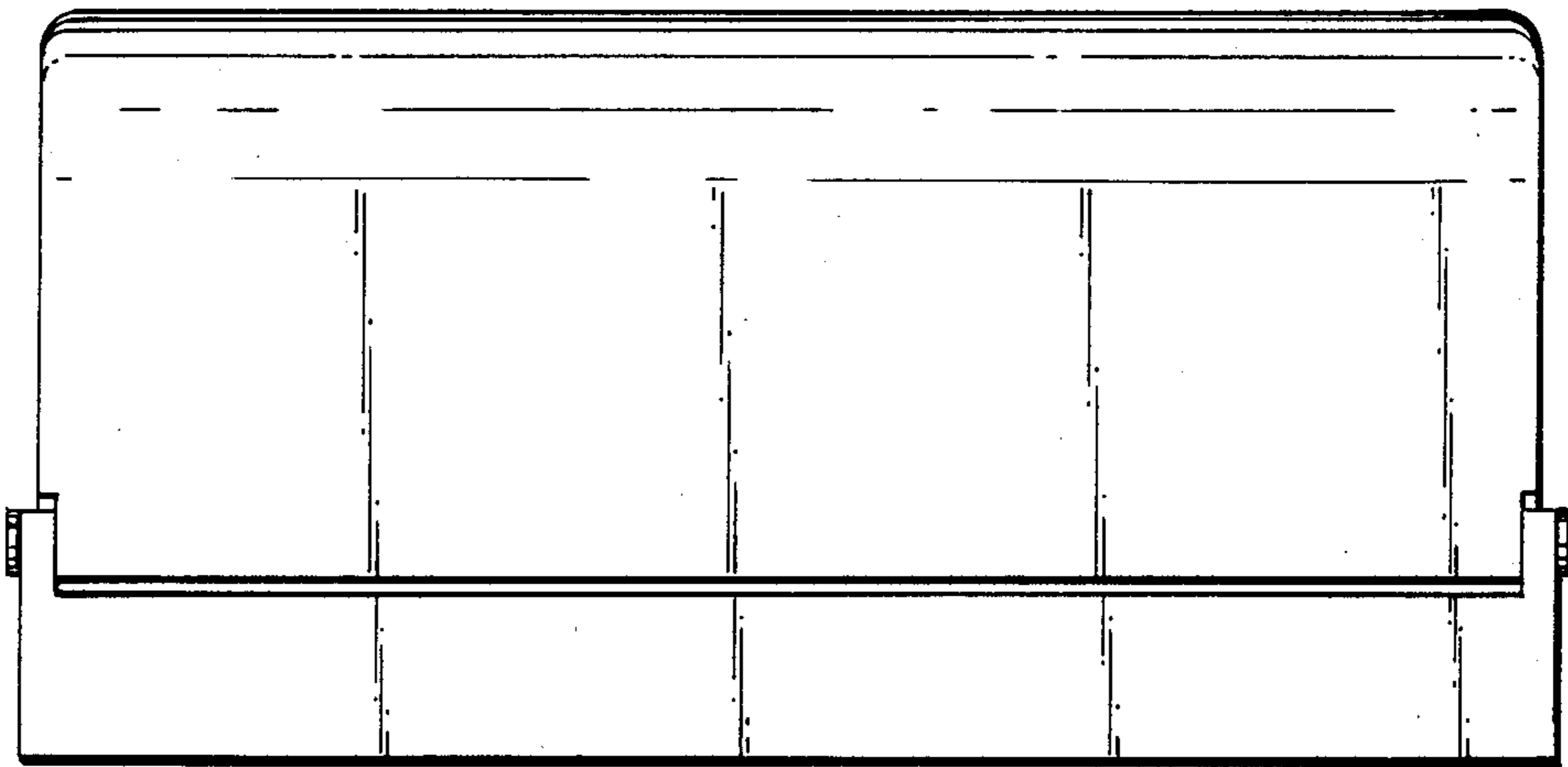


FIG. 6