

[54] **AIR HEATER**

[75] **Inventor: Jack Fan, Hou Li, Taiwan**
[73] **Assignee: Synlix Electrical Ltd, Taiwan**
[**] **Term: 14 Years**
[21] **Appl. No.: 250,817**
[22] **Filed: Sep. 28, 1988**
[52] **U.S. Cl. D23/335**
[58] **Field of Search D23/332, 335; 219/275,
219/366, 359, 367, 368, 342, 343**

[56] **References Cited**

U.S. PATENT DOCUMENTS

D. 87,100	6/1932	Booth	D23/335
D. 97,003	9/1935	Steingruber	D23/335
D. 227,367	6/1973	Schaefer	D23/335
1,928,270	9/1933	Shirley	219/366
2,967,051	1/1961	Mobley	219/366
4,737,616	4/1988	Wen-Ying	219/366

FOREIGN PATENT DOCUMENTS

58803	11/1967	German Democratic Rep.	219/367
-------	---------	--------------------------------	---------

OTHER PUBLICATIONS

Markel Electric Products, Inc., p. 3, Hi-Wattage Hee-
taire, right middle side of page.
McGraw-Edison Co. Adv. Brochure, p. 2, Heavy Duty
Heater Model H940, lower left side of page.
Home Furnishings Daily, 8/5/65, p. 26, Automatic Fan
Heater, bottom left side of page.

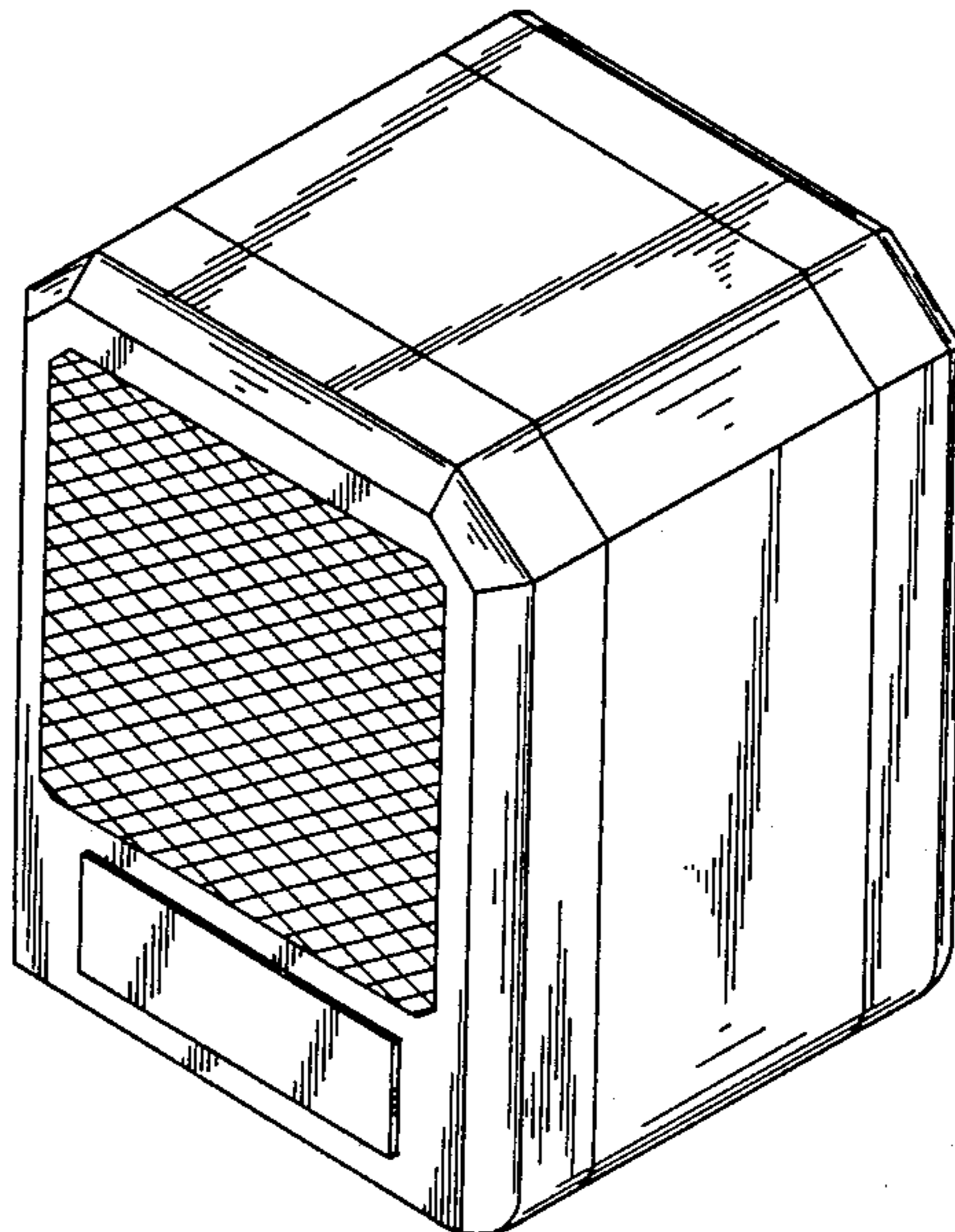
Primary Examiner—James M. Gandy
Assistant Examiner—Lisa Lichtenstein
Attorney, Agent, or Firm—Brumbaugh, Graves,
Donohue & Raymond

[57] **CLAIM**

The ornamental design for an air heater, as shown.

DESCRIPTION

FIG. 1 is a perspective view of an air heater showing
my new design;
FIG. 2 is a front elevation view thereof on a reduced
scale;
FIG. 3 is a rear elevation view thereof on a reduced
scale;
FIG. 4 is a left side elevation view thereof on a reduced
scale;
FIG. 5 is a right side elevation view thereof on a re-
duced scale;
FIG. 6 is a top plan view thereof on a reduced scale; and
FIG. 7 is a bottom plan view thereof on a reduced scale.



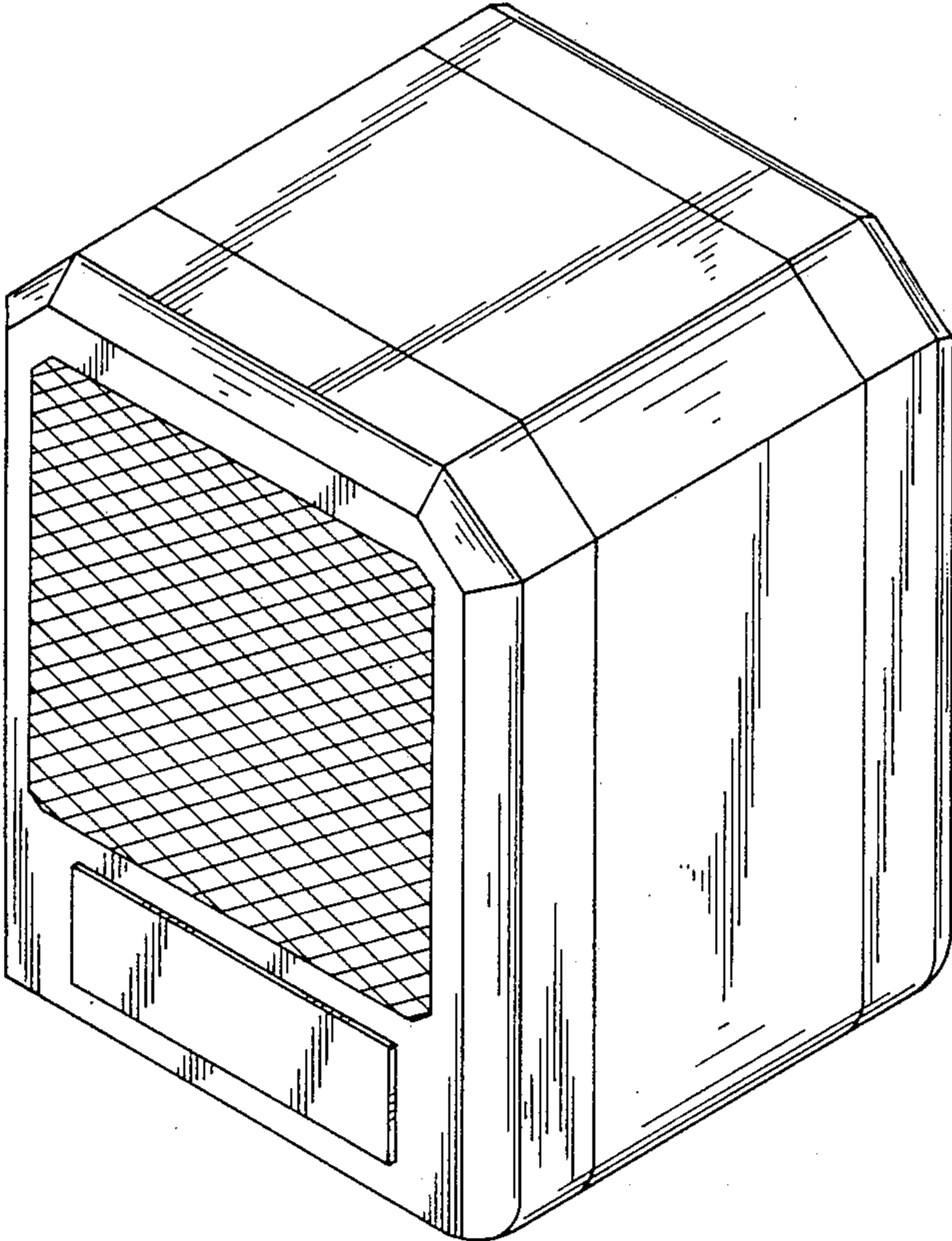


FIG. 1

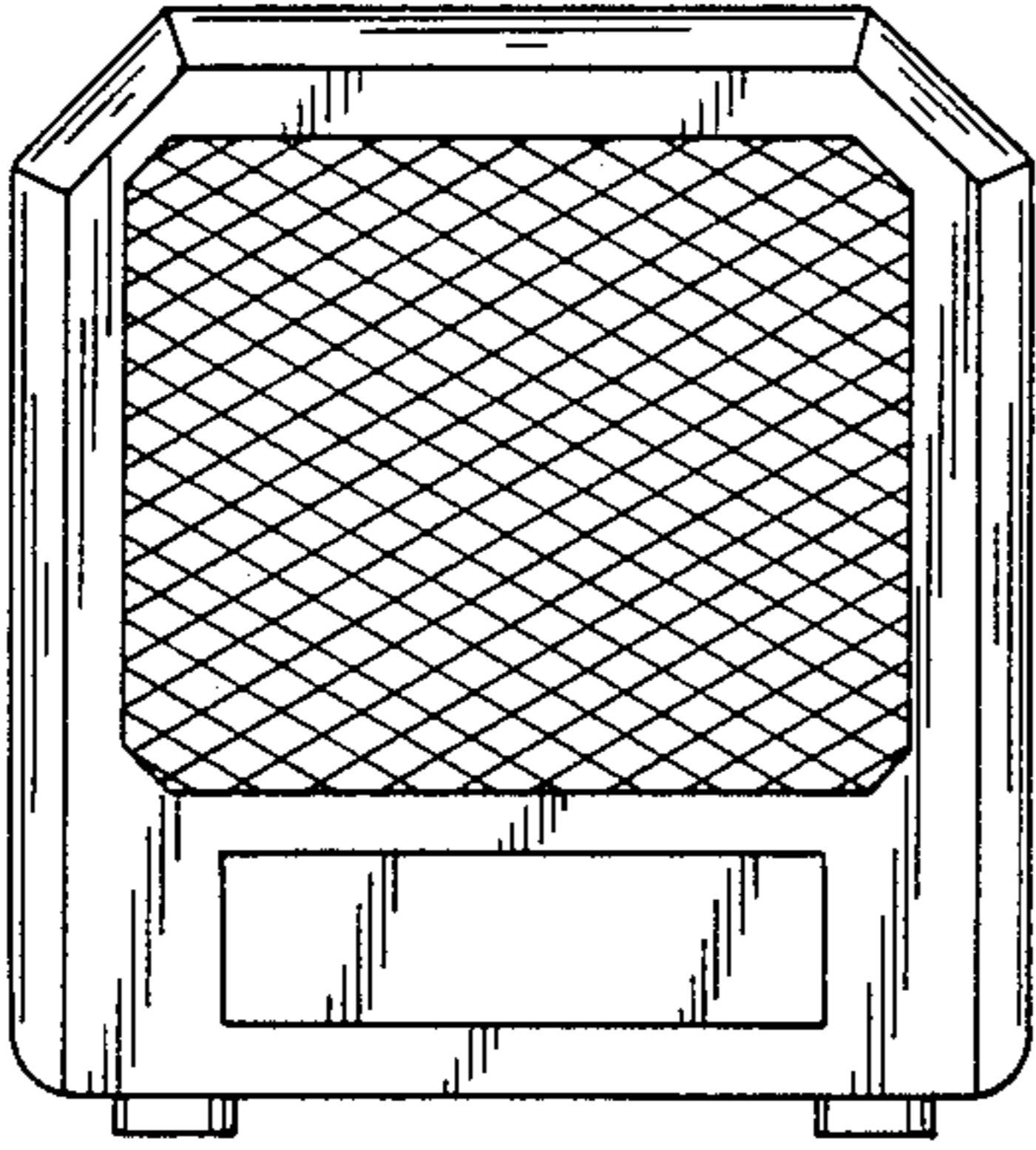


FIG. 2

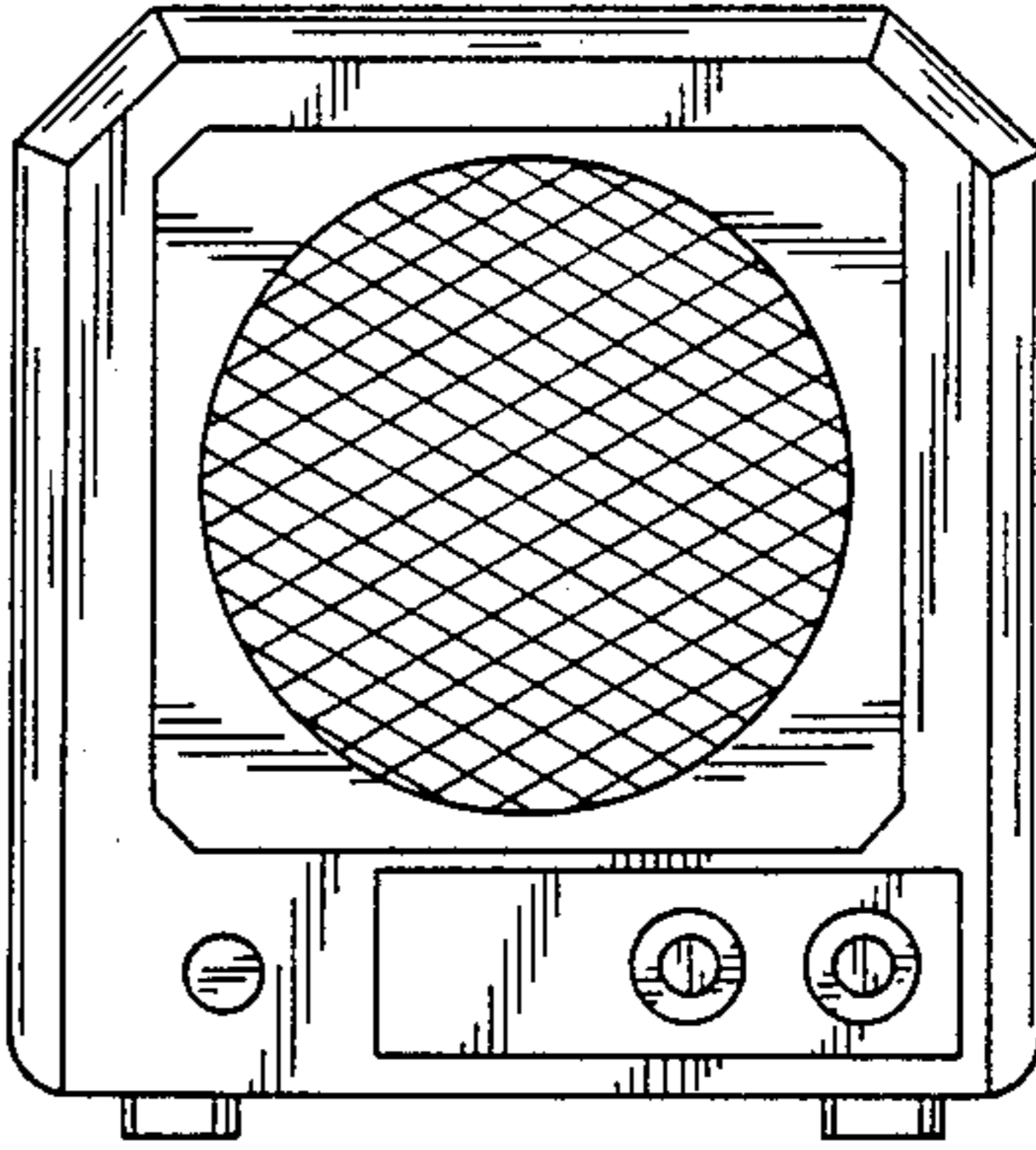


FIG. 3

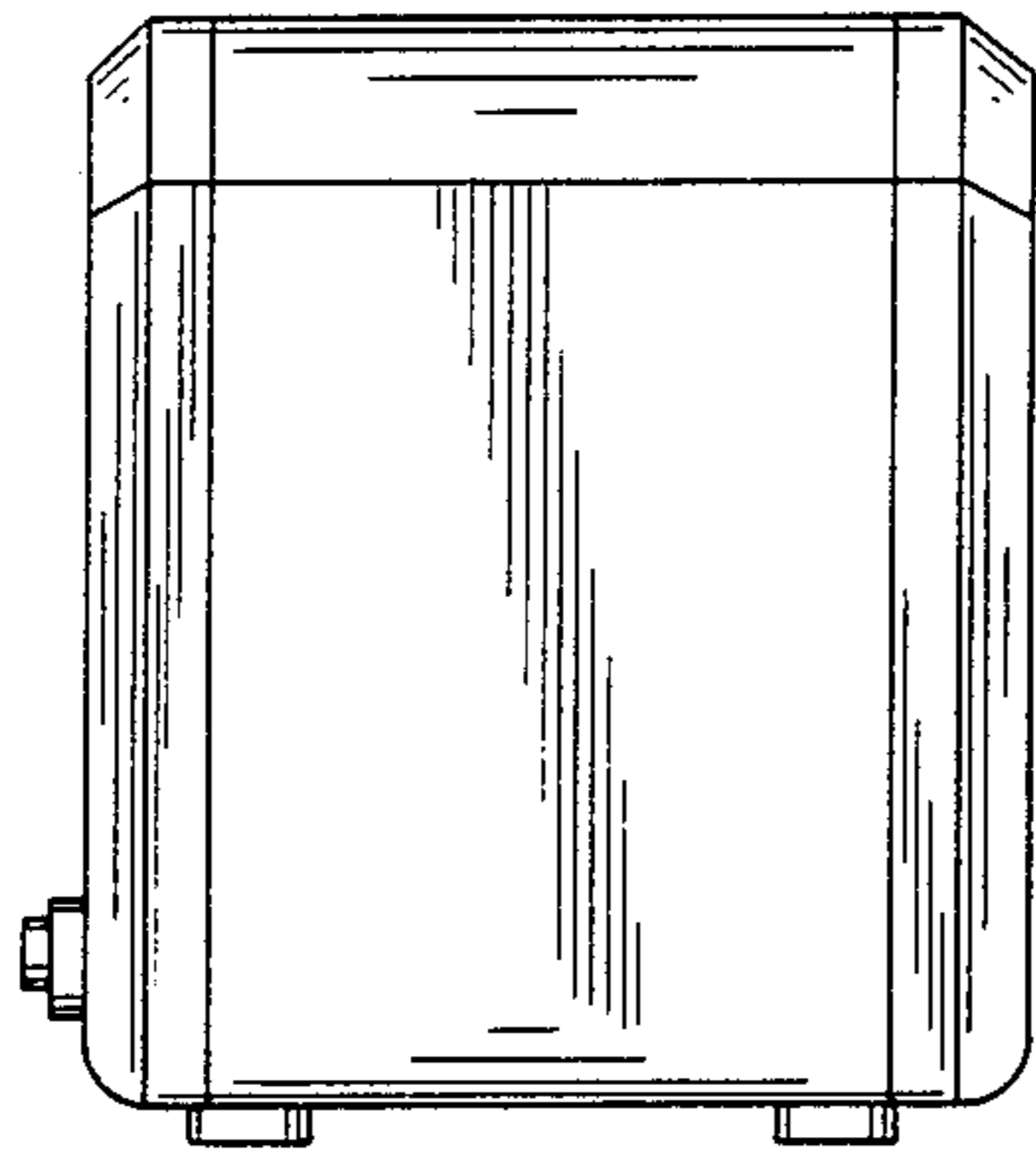


FIG. 4

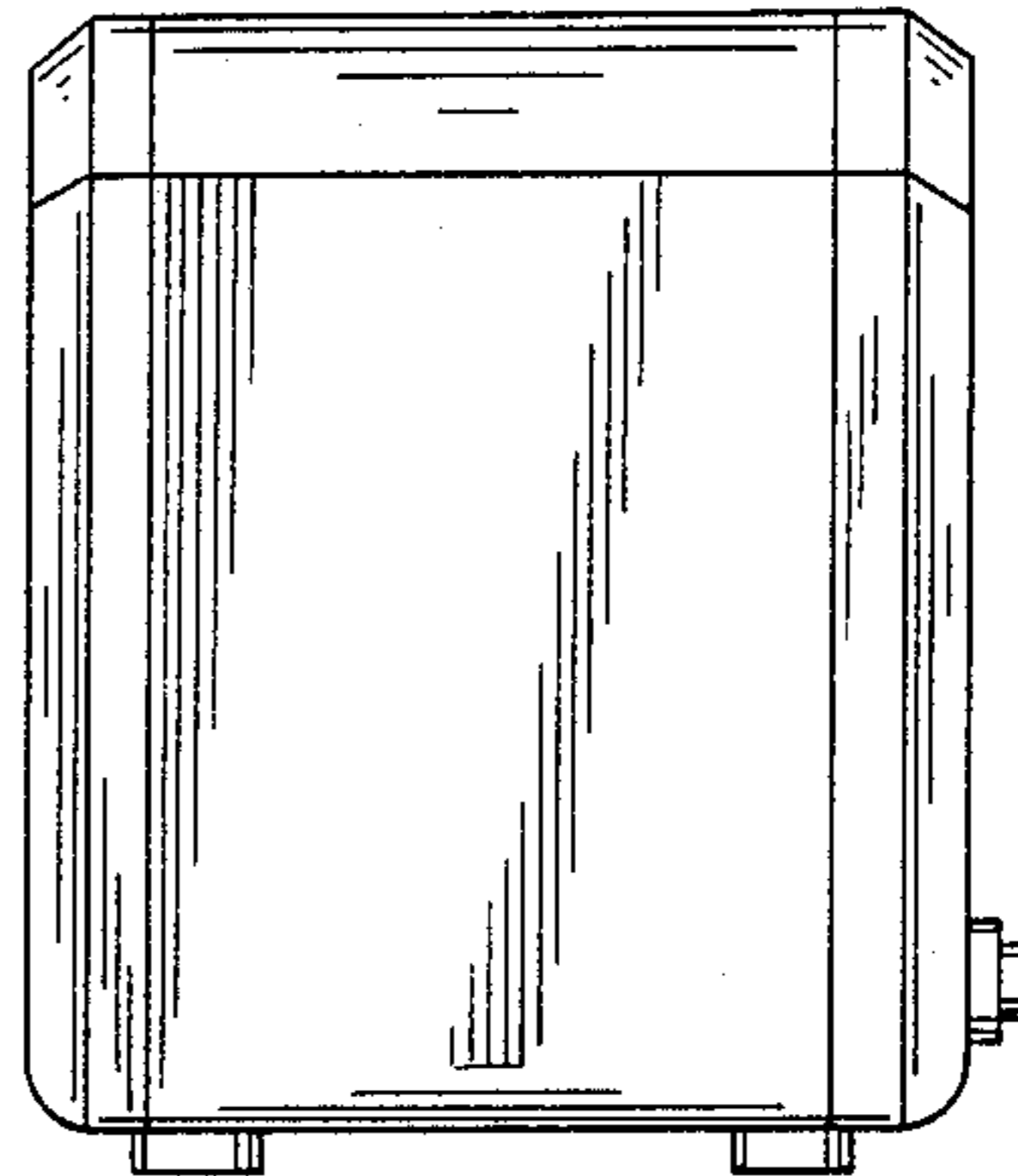


FIG. 5

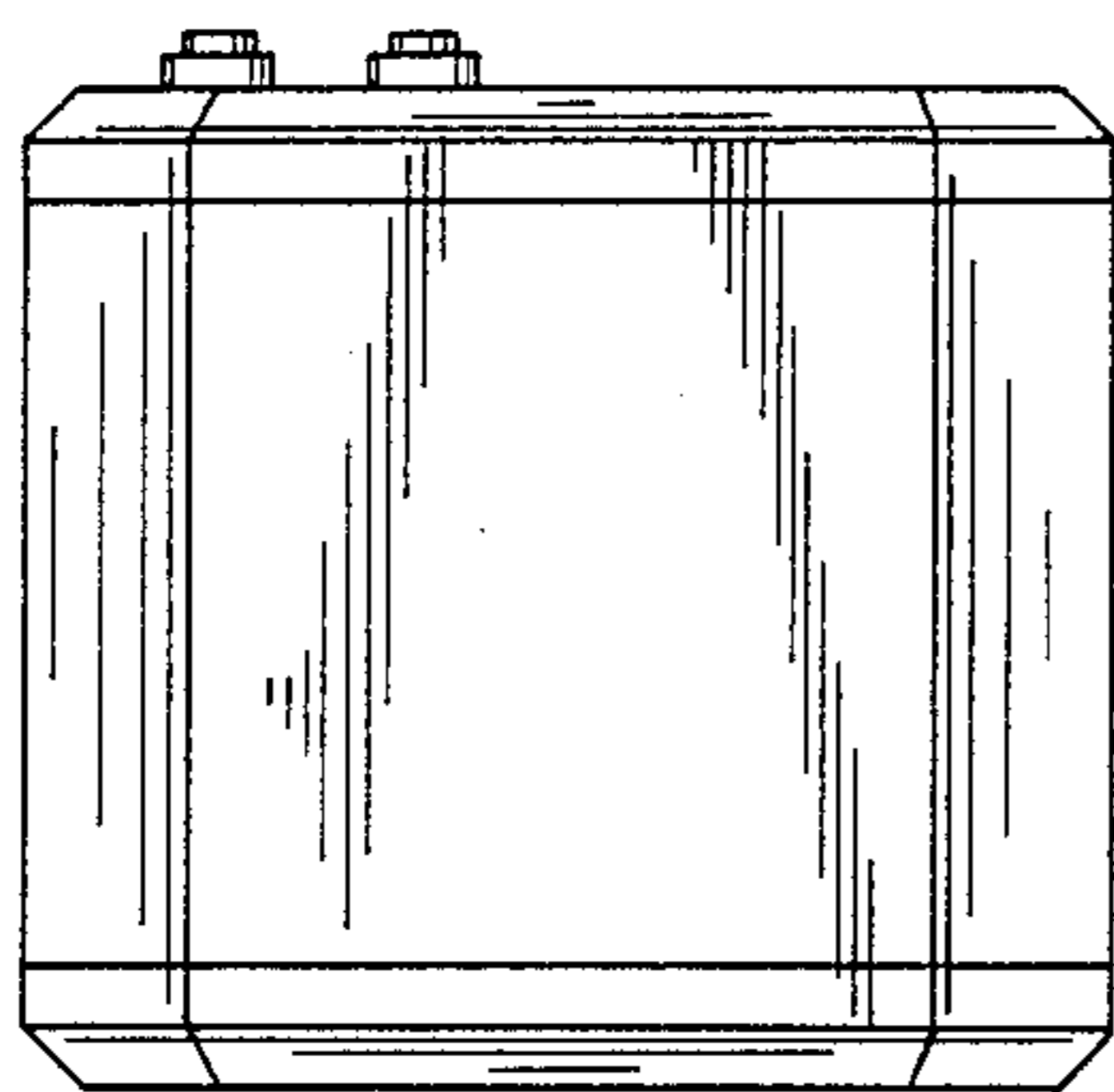


FIG. 6

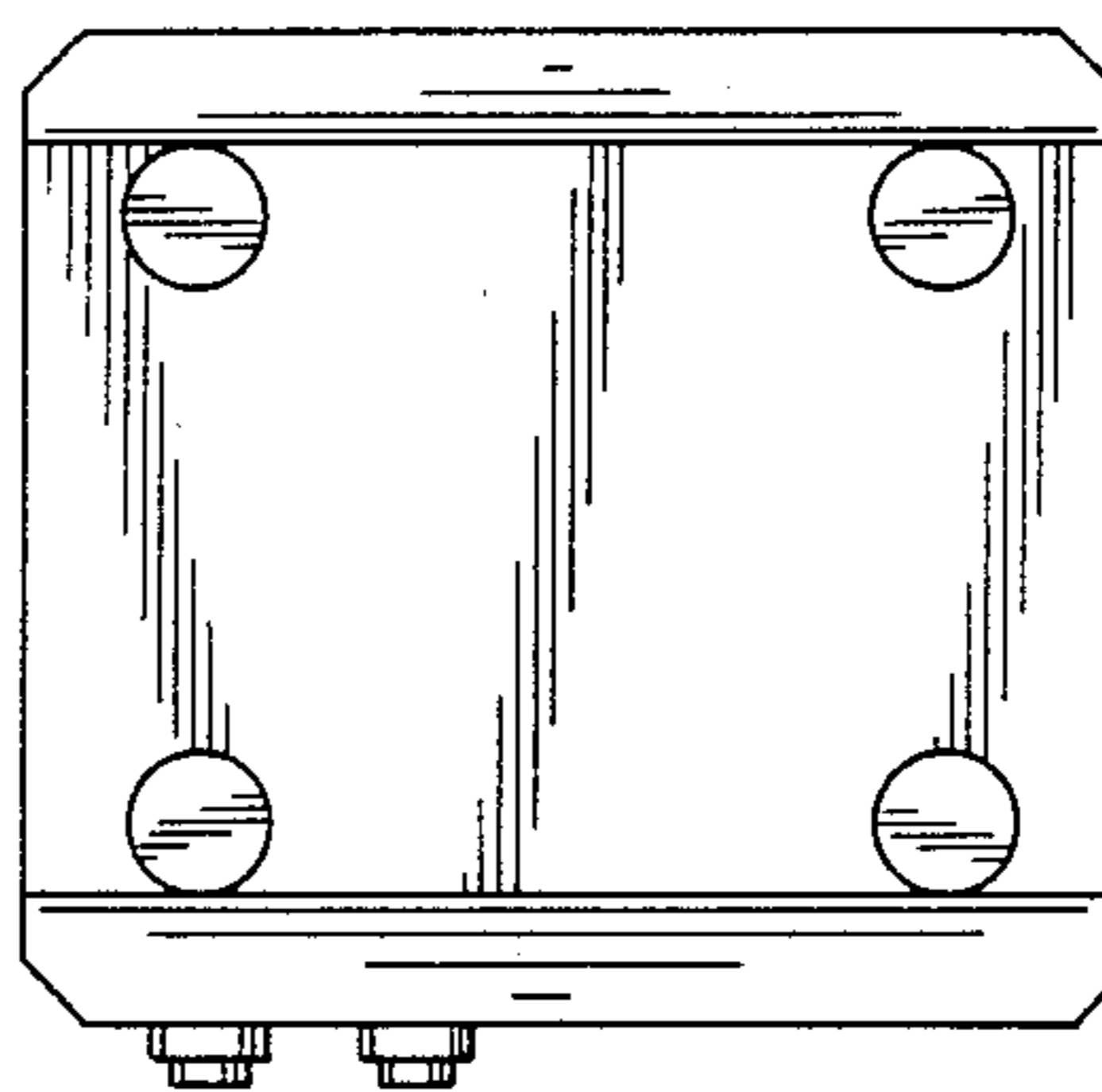


FIG. 7