

[54] BATHTUB

[76] Inventor: Scott G. Lenahan, 20140 Delight St., Canyon Country, Calif. 91351

[**] Term: 14 Years

[21] Appl. No.: 13,719

[22] Filed: Feb. 12, 1987

[52] U.S. Cl. D23/277

[58] Field of Search D23/270-283, D23/303-307, 38, 39; 4/513, 538-544, 546, 559, 571-579, 584, 589, 590

- D. 274,454 6/1984 Robinson D23/281
- D. 274,835 7/1984 Gruber D23/281
- D. 277,985 3/1985 Kingsley D23/277 X
- D. 285,600 9/1986 Steinhardt D23/277
- D. 286,811 11/1986 Diamond D23/281
- D. 287,397 12/1986 Cuttriss D23/281
- D. 288,350 2/1987 Diamond D23/280
- 2,566,495 9/1951 Miyakawa 4/590

Primary Examiner—James R. Largen

[57] CLAIM

The ornamental design for a bathtub, as shown and described.

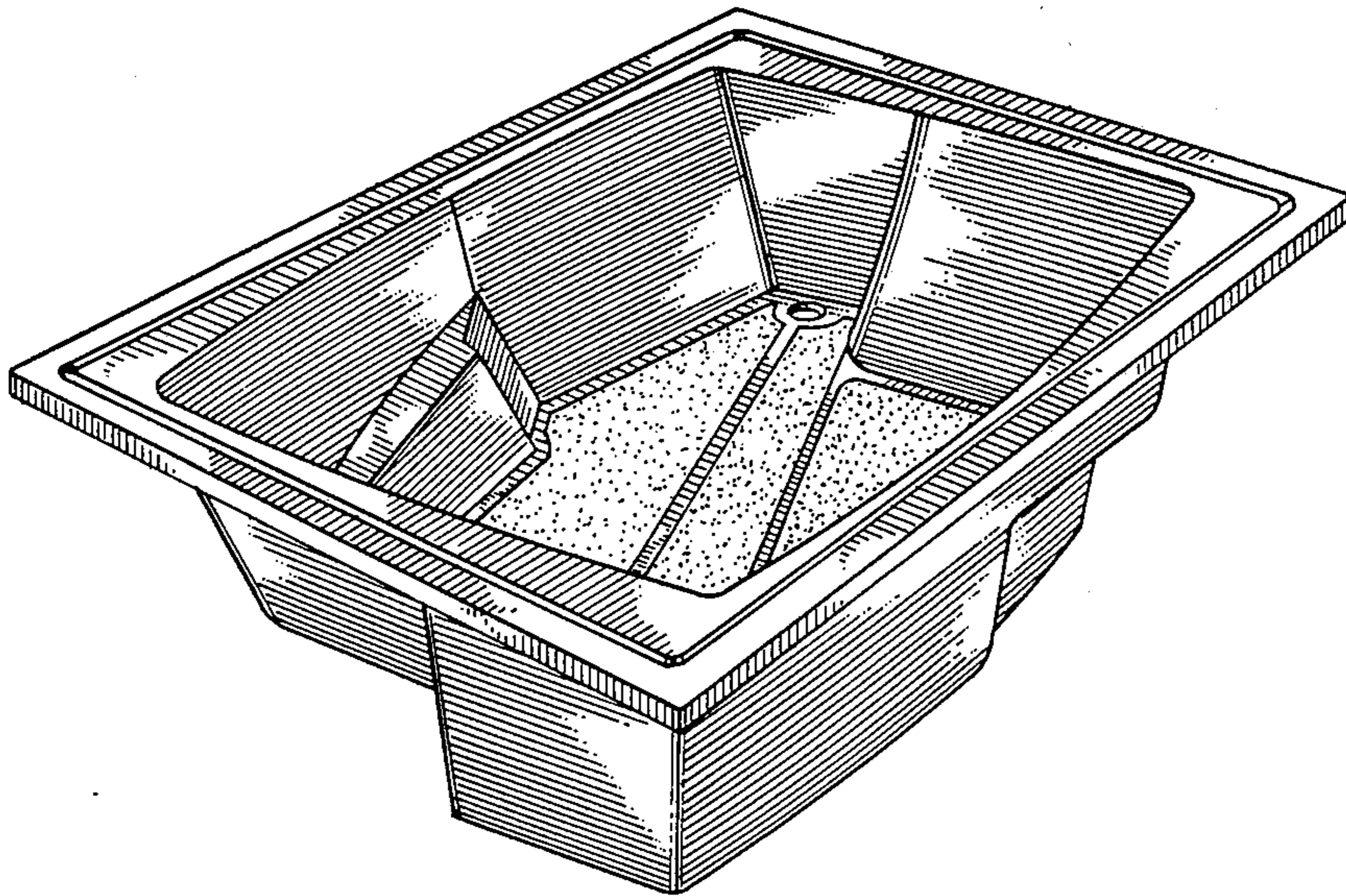
[56] References Cited

U.S. PATENT DOCUMENTS

- D. 245,542 8/1977 Melcior D24/38
- D. 247,978 5/1978 D'Innacente D24/38
- D. 254,572 3/1980 Reineman D24/38
- D. 266,692 10/1982 Harrison D23/281
- D. 267,190 12/1982 Harrison D23/281
- D. 270,760 9/1983 Wiley D24/38

DESCRIPTION

FIG. 1 is a top perspective view of a bathtub, showing my new design;
 FIG. 2 is a front elevation view thereof;
 FIG. 3 is a side elevational view thereof, the opposite side being the same as the side shown; and
 FIG. 4 is an end elevational view thereof the opposite end being the same as the end shown.



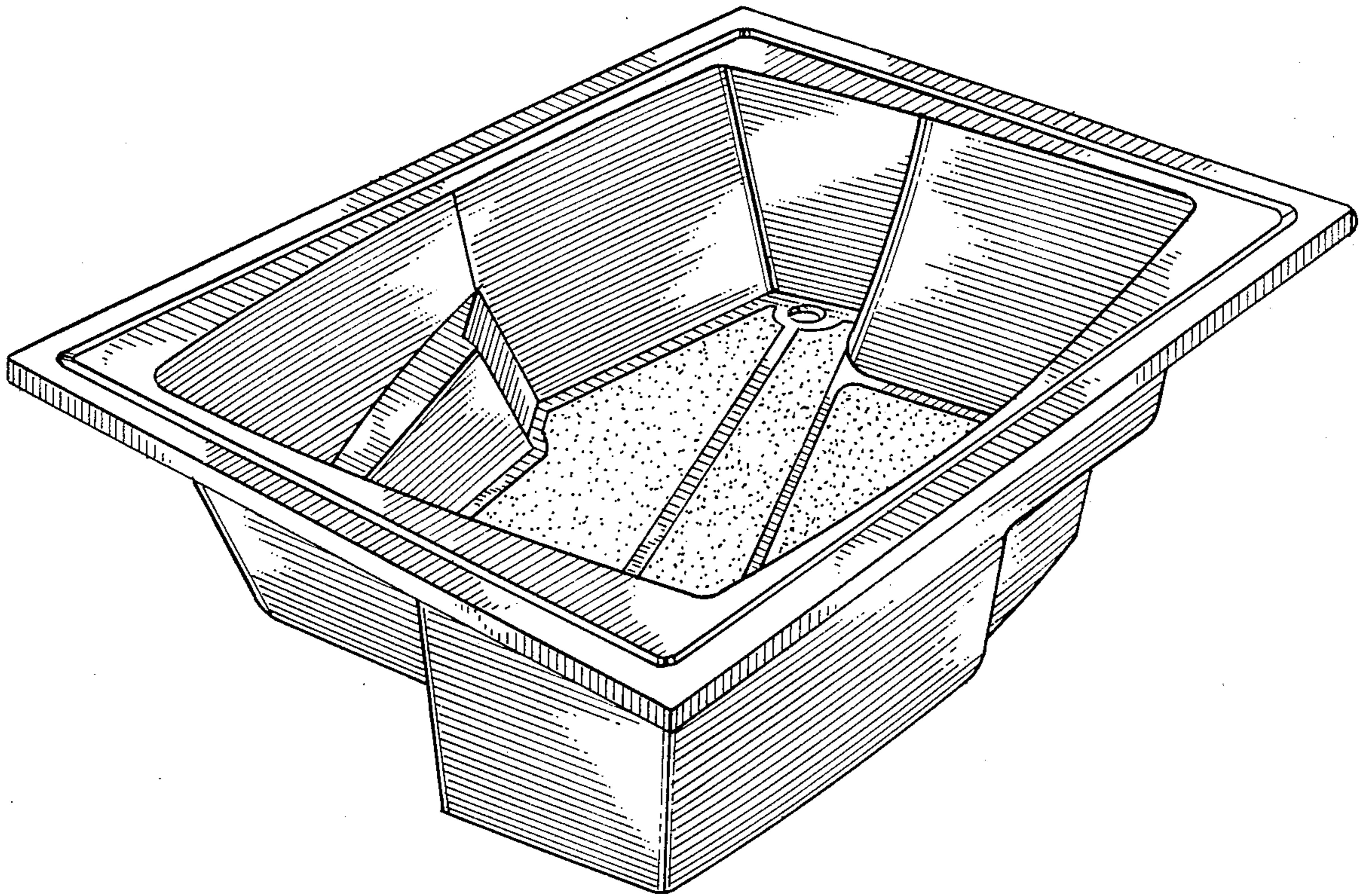


FIG. 1

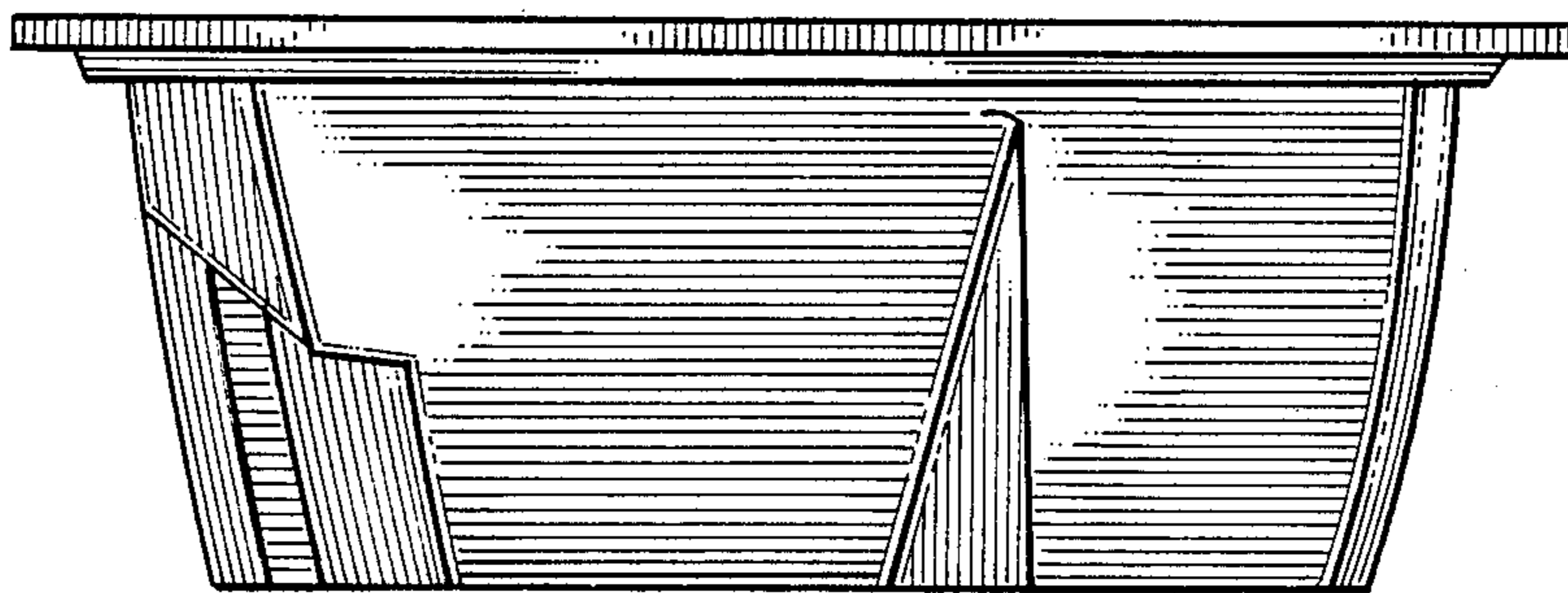


FIG. 2

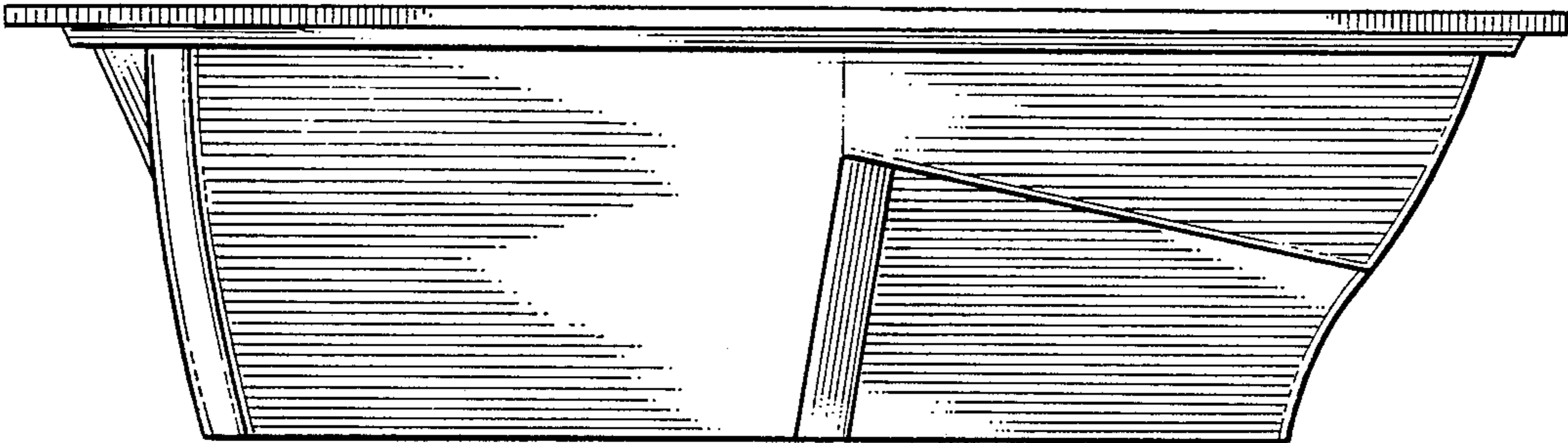


FIG. 3

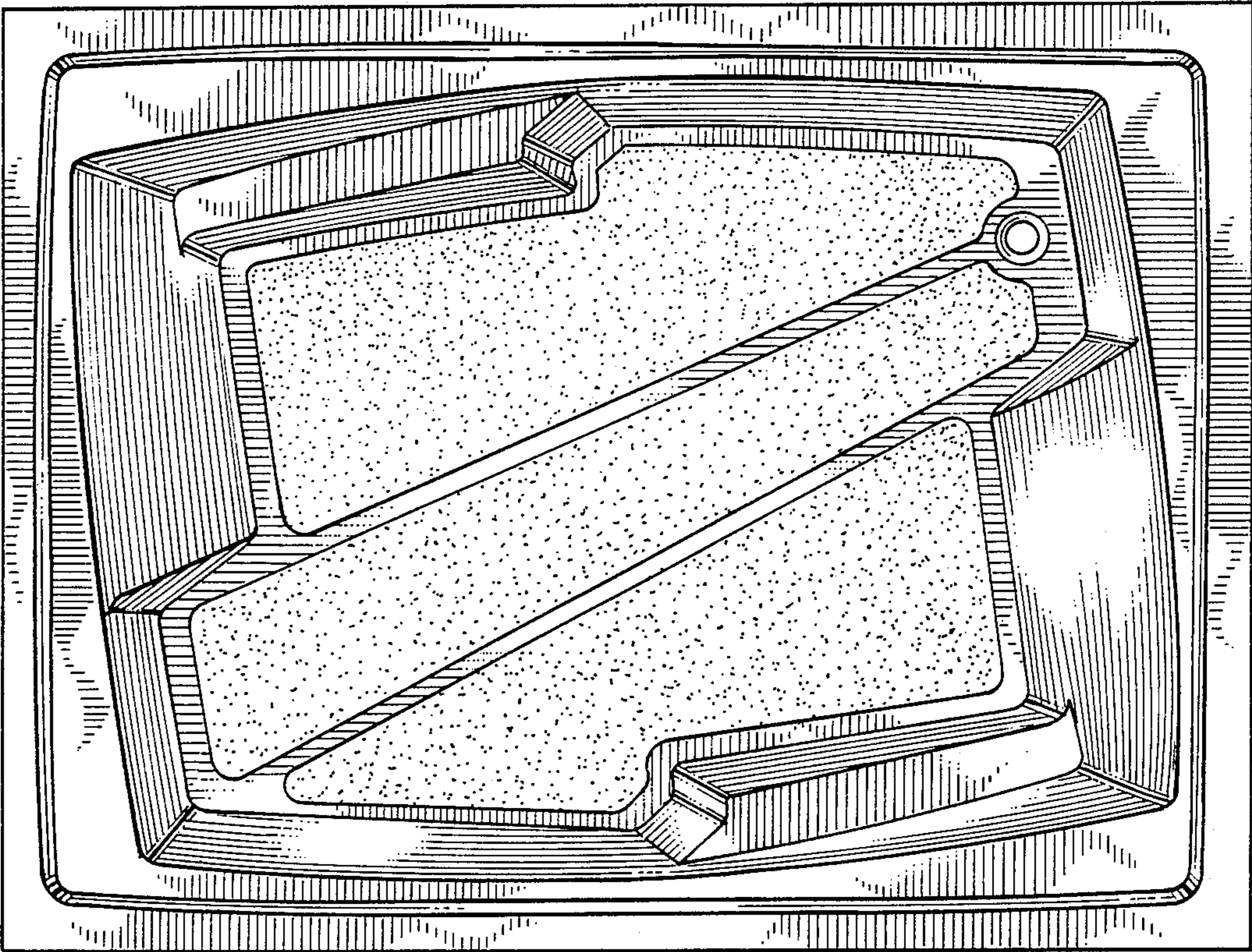


FIG. 4

UNITED STATES PATENT AND TRADEMARK OFFICE
CERTIFICATE OF CORRECTION

PATENT NO. : Des. 313,838
DATED : January 15, 1991
INVENTOR(S) : Scott G. Lenahan

It is certified that error appears in the above-identified patent and that said Letters Patent is hereby corrected as shown below:

On the **title** page, first column, below the inventor's name, insert: --Assignee: Gruber Systems, Inc., Valencia, California--

**Signed and Sealed this
Sixteenth Day of March, 1993**

Attest:

STEPHEN G. KUNIN

Attesting Officer

Acting Commissioner of Patents and Trademarks