

[54] FAUCET

[75] Inventor: Wolfgang Heieck, Langenau, Fed. Rep. of Germany

[73] Assignee: Knebel & Rottger GmbH & Co., Iserlohn, Fed. Rep. of Germany

[**] Term: 14 Years

[21] Appl. No.: 47,333

[22] Filed: May 6, 1987

[30] Foreign Application Priority Data

Nov. 6, 1986 [DE] Fed. Rep. of Germany MR 7516

[52] U.S. Cl. D23/241

[58] Field of Search D23/238-243, D23/255, 256, 257; 4/191, 192; 137/801

[56] References Cited

U.S. PATENT DOCUMENTS

- D. 243,240 2/1977 Dreibelbis D23/241
- D. 281,097 10/1985 Arnold et al. D23/241
- D. 288,835 3/1987 Yost D23/241

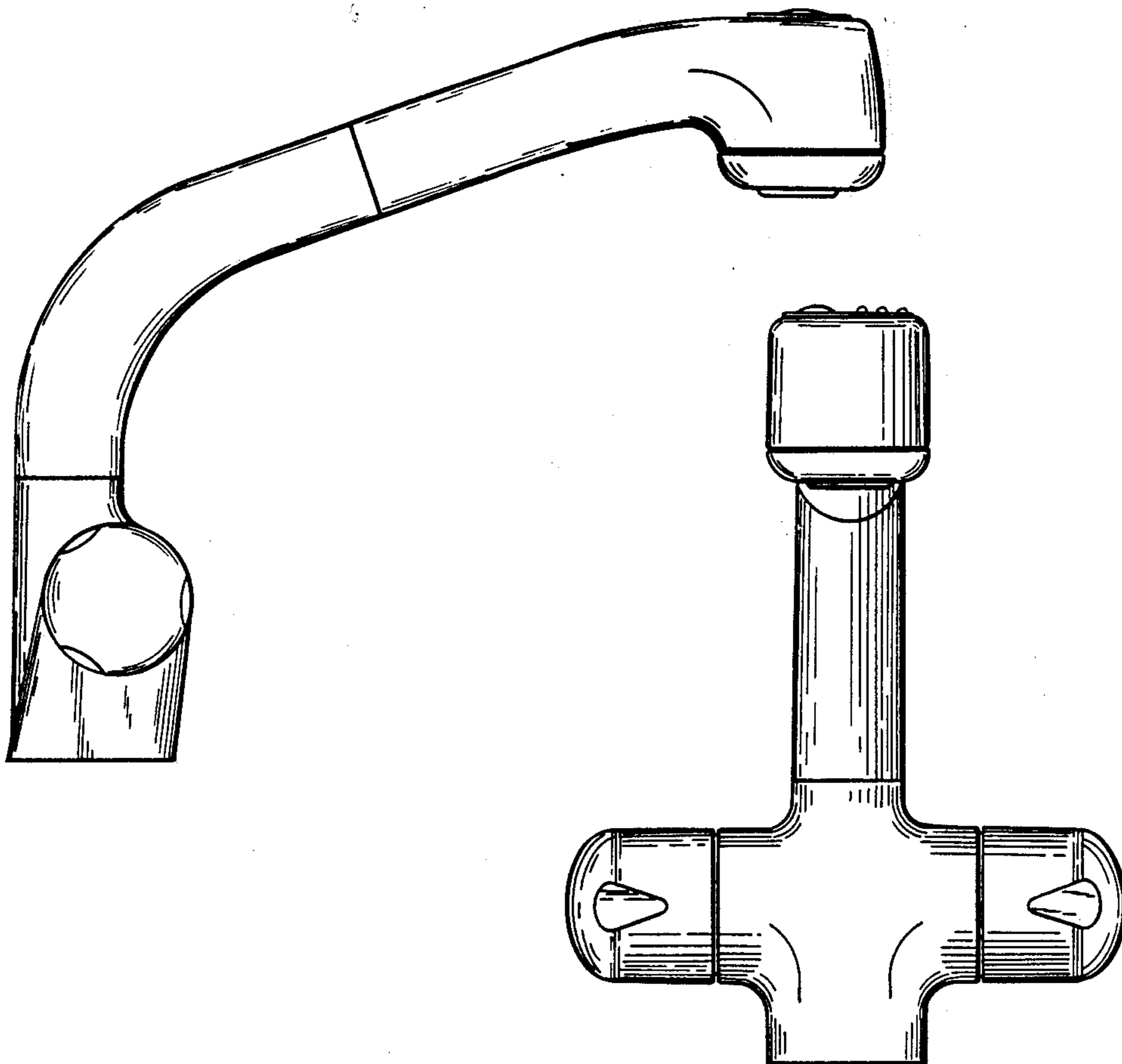
Primary Examiner—A. Hugo Word
Assistant Examiner—Stella M. Reid
Attorney, Agent, or Firm—Herbert Dubno

[57] CLAIM

The ornamental design for a faucet, as shown and described.

DESCRIPTION

FIG. 1 is a side elevational view of a faucet, showing my new design, the opposite side being identical thereto;
FIG. 2 is a top plan view thereof;
FIG. 3 is a front elevational view thereof;
FIG. 4 is a rear elevational view thereof; and
FIG. 5 is a bottom plan view thereof.



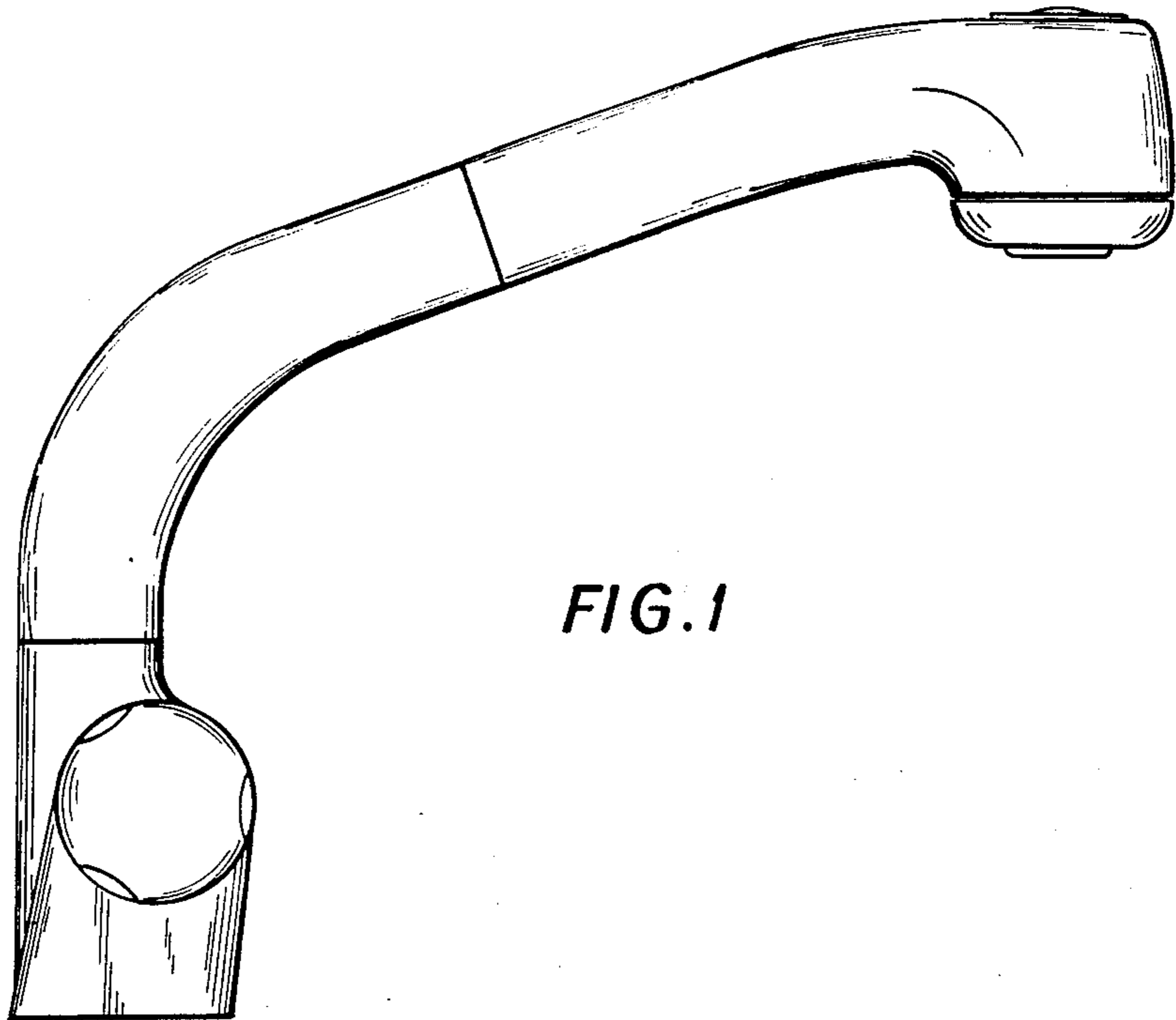


FIG. 1

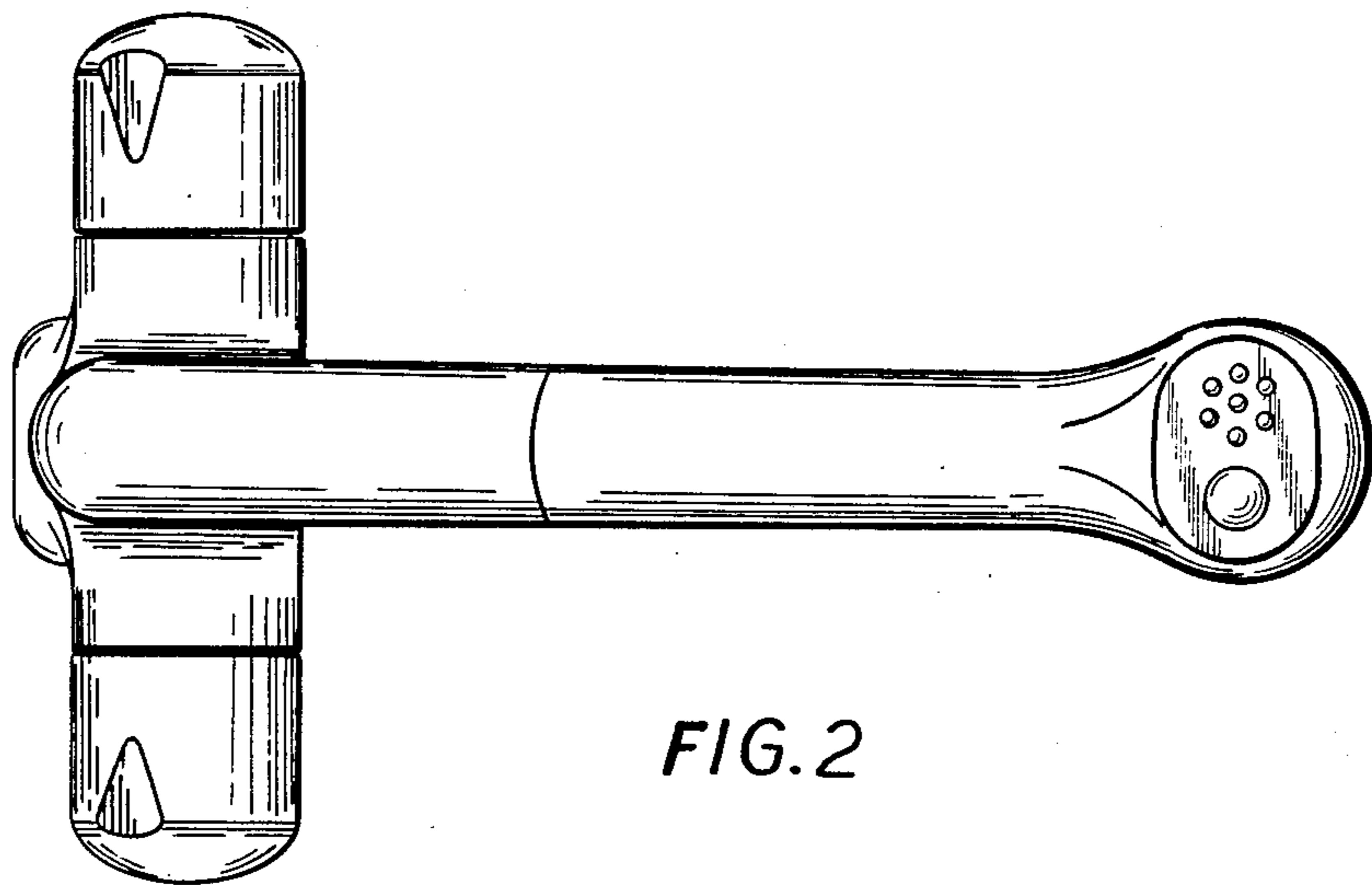


FIG. 2

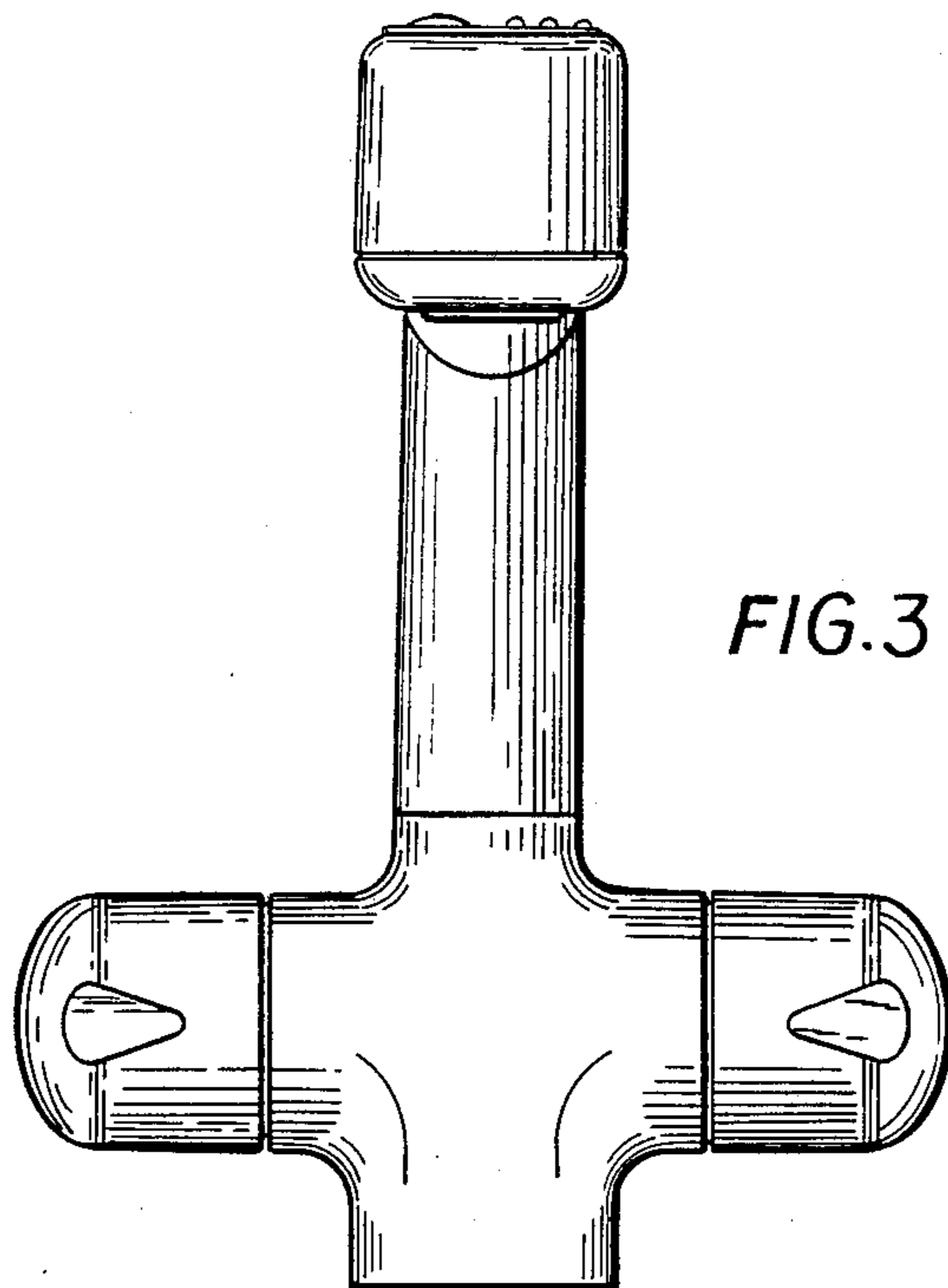


FIG. 3

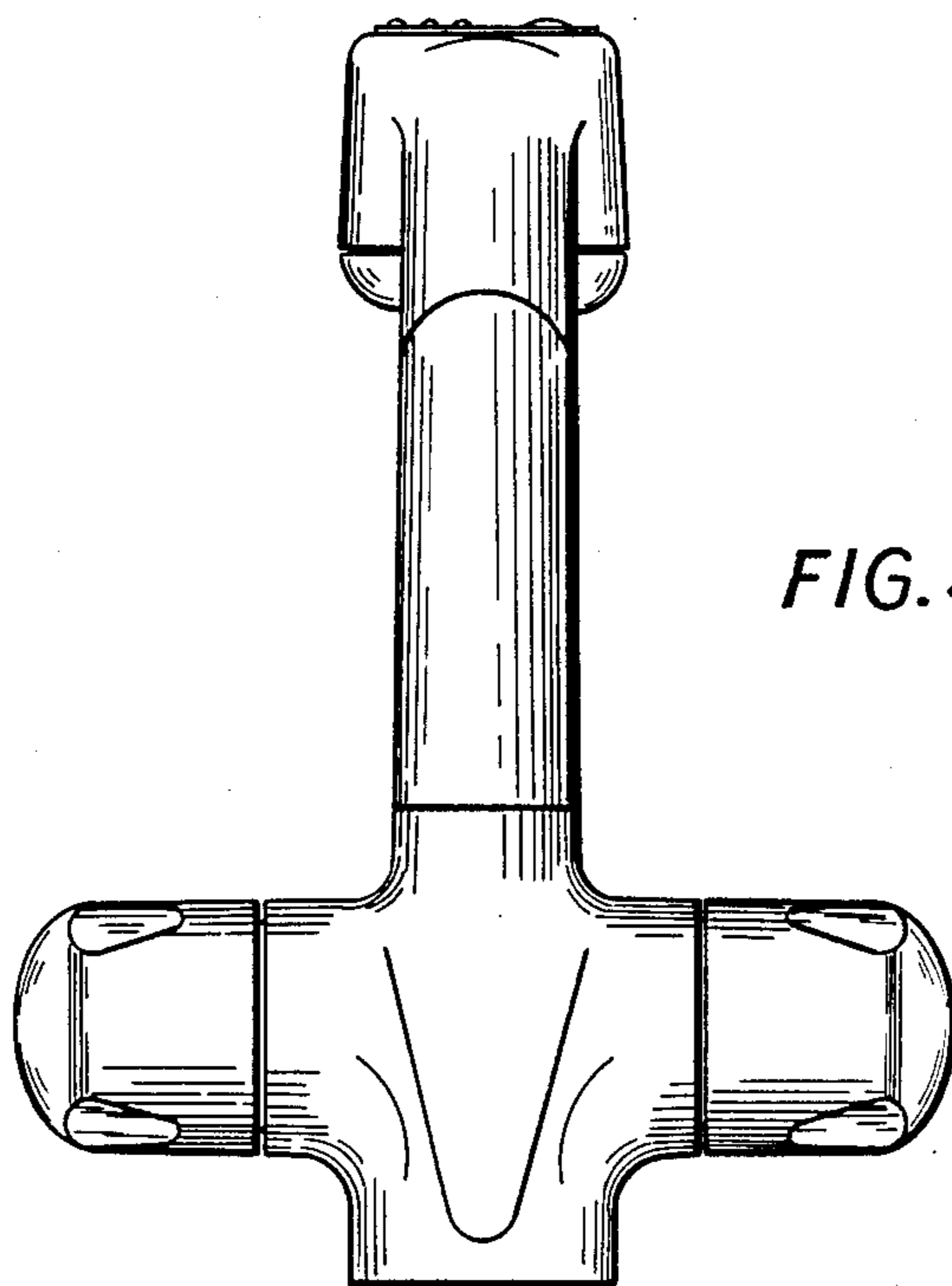


FIG. 4

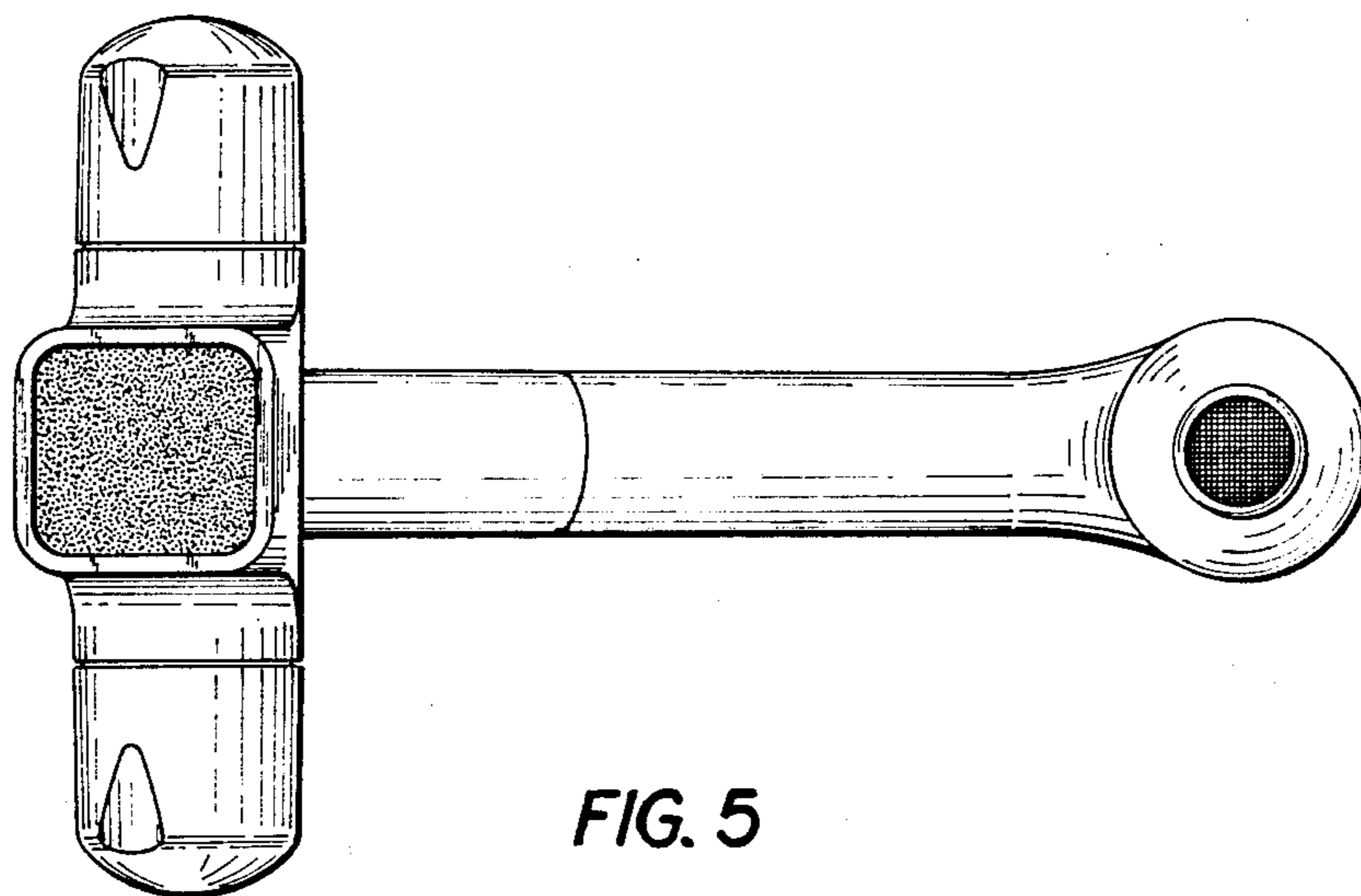


FIG. 5